

[54] BOTTLE OR SIMILAR ARTICLE

[56] References Cited

[75] Inventor: Juris M. Mednis, Howell, N.J.

U.S. PATENT DOCUMENTS

D. 256,554	8/1980	Beaver	D9/375
D. 274,699	7/1984	Epperson	D9/370
D. 288,173	2/1987	Mednis	D9/375
4,640,423	3/1987	Mednis	D9/375 X

[73] Assignee: Universal Symetrics Corporation, Howell, N.J.

Primary Examiner—Bruce W. Dunkins
Attorney, Agent, or Firm—Angelo Notaro

[*] Notice: The portion of the term of this patent subsequent to Feb. 10, 2001 has been disclaimed.

[57] CLAIM

The ornamental design for a bottle or similar article, as shown.

[**] Term: 14 Years

DESCRIPTION

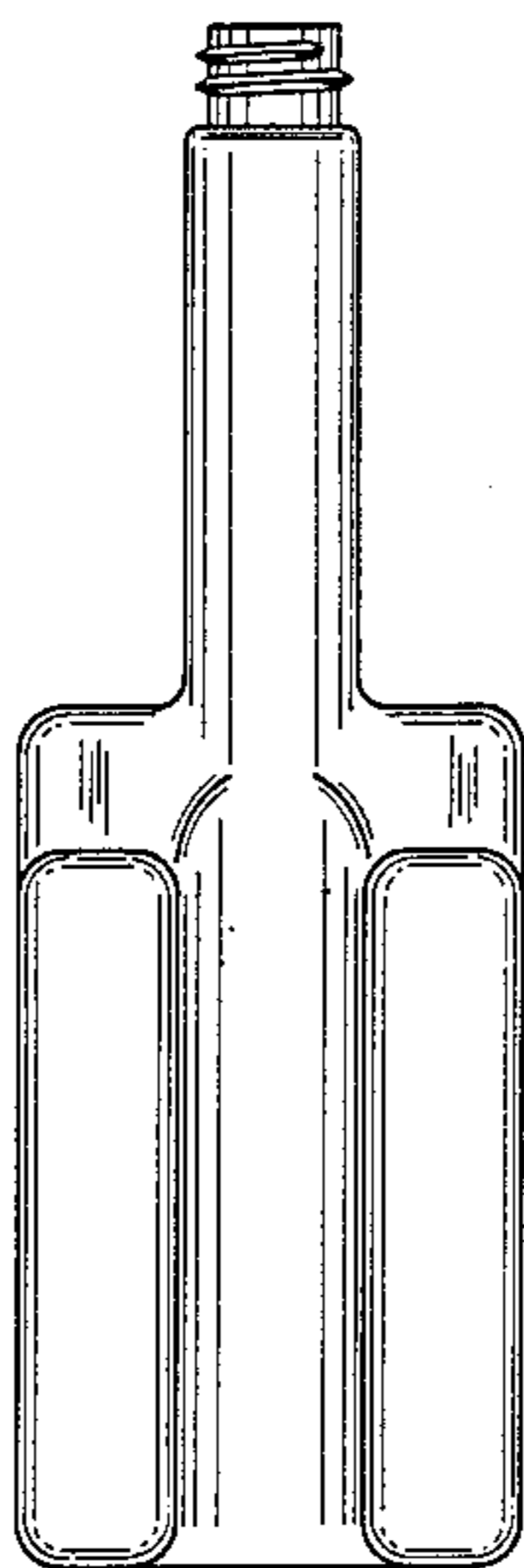
[21] Appl. No.: 782,950

FIG. 1 is a front elevational view of a bottle or similar article container embodying my new design;
FIG. 2 is a top plan view thereof;
FIG. 3 is a rear elevation view thereof;
FIG. 4 is a bottom plan view thereof;
FIG. 5 is a side elevation view thereof;
FIG. 6 is a side elevation view thereof of the side opposite of the view of FIG. 5; and
FIG. 7 is a front perspective view thereof.

[22] Filed: Sep. 25, 1985

[52] U.S. Cl. D9/375

[58] Field of Search D9/367, 375, 376, 341, D9/413, 370; 215/1 R, 1 C



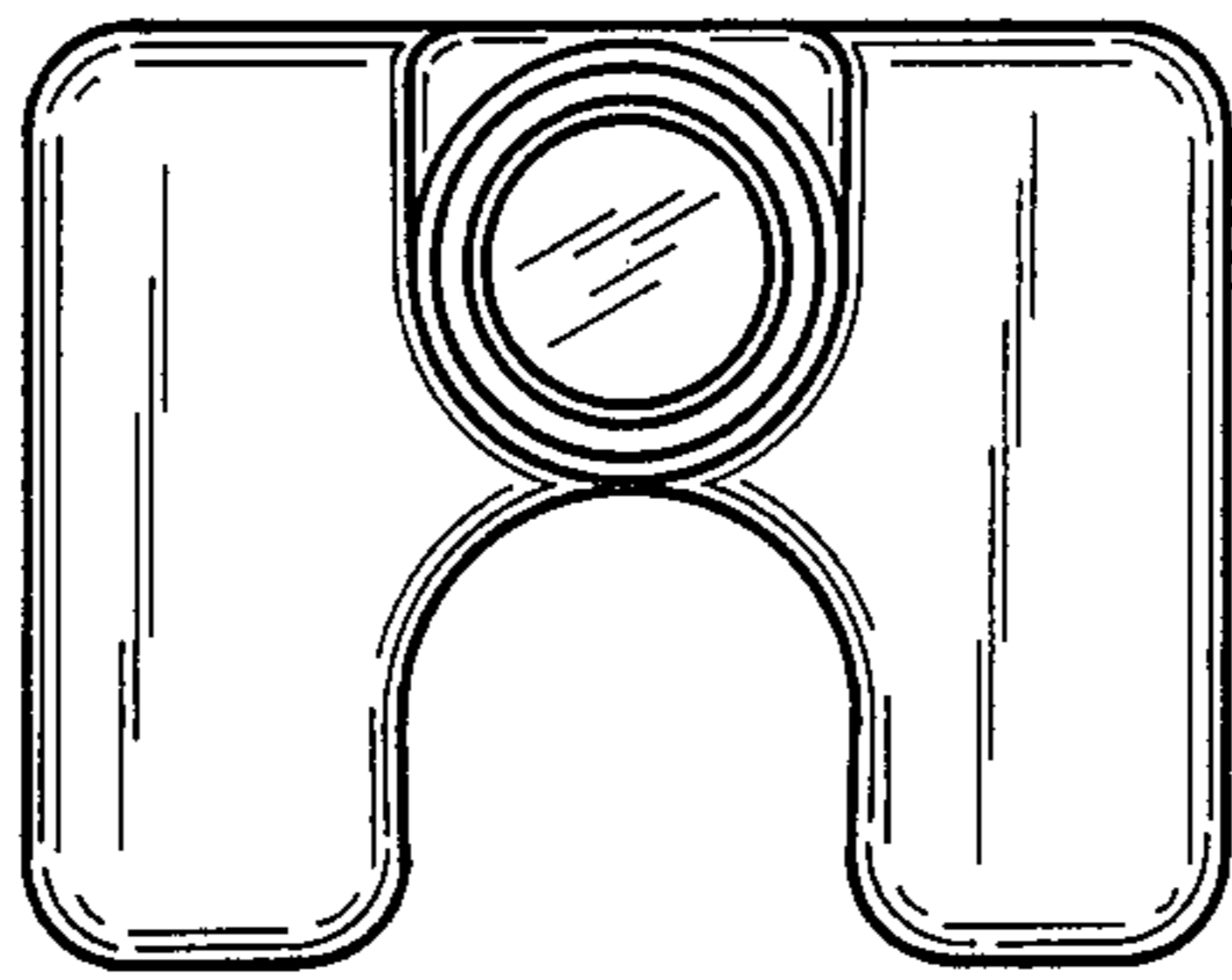


FIG. 2

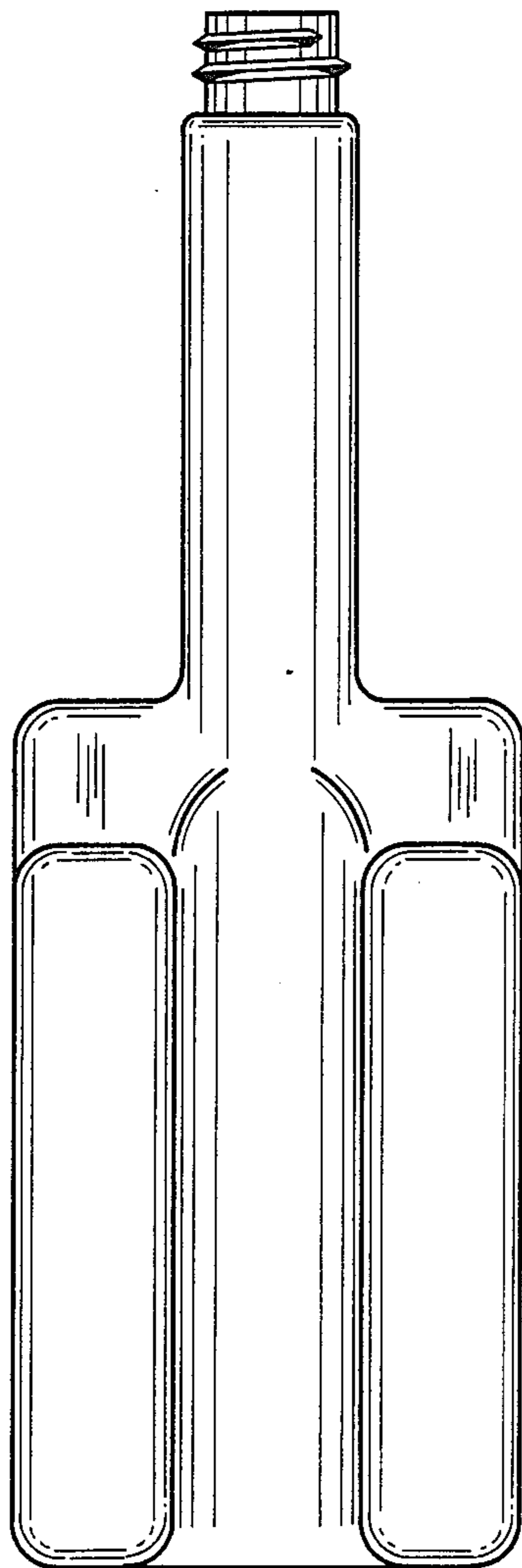


FIG. 1

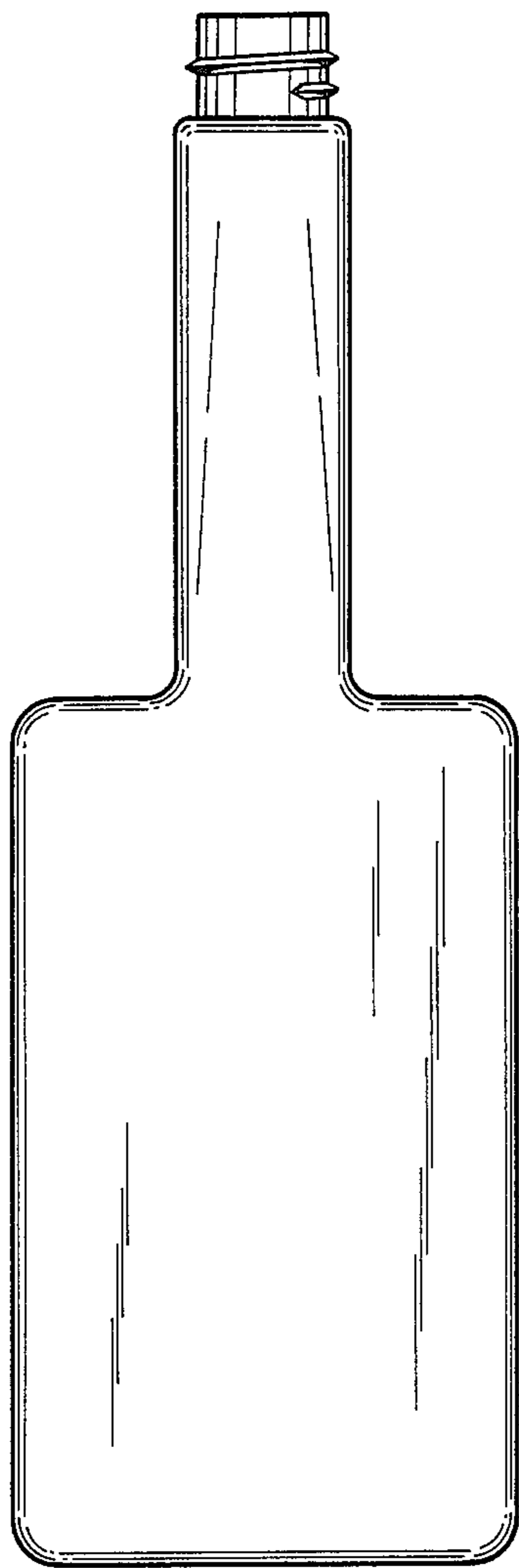


FIG. 3

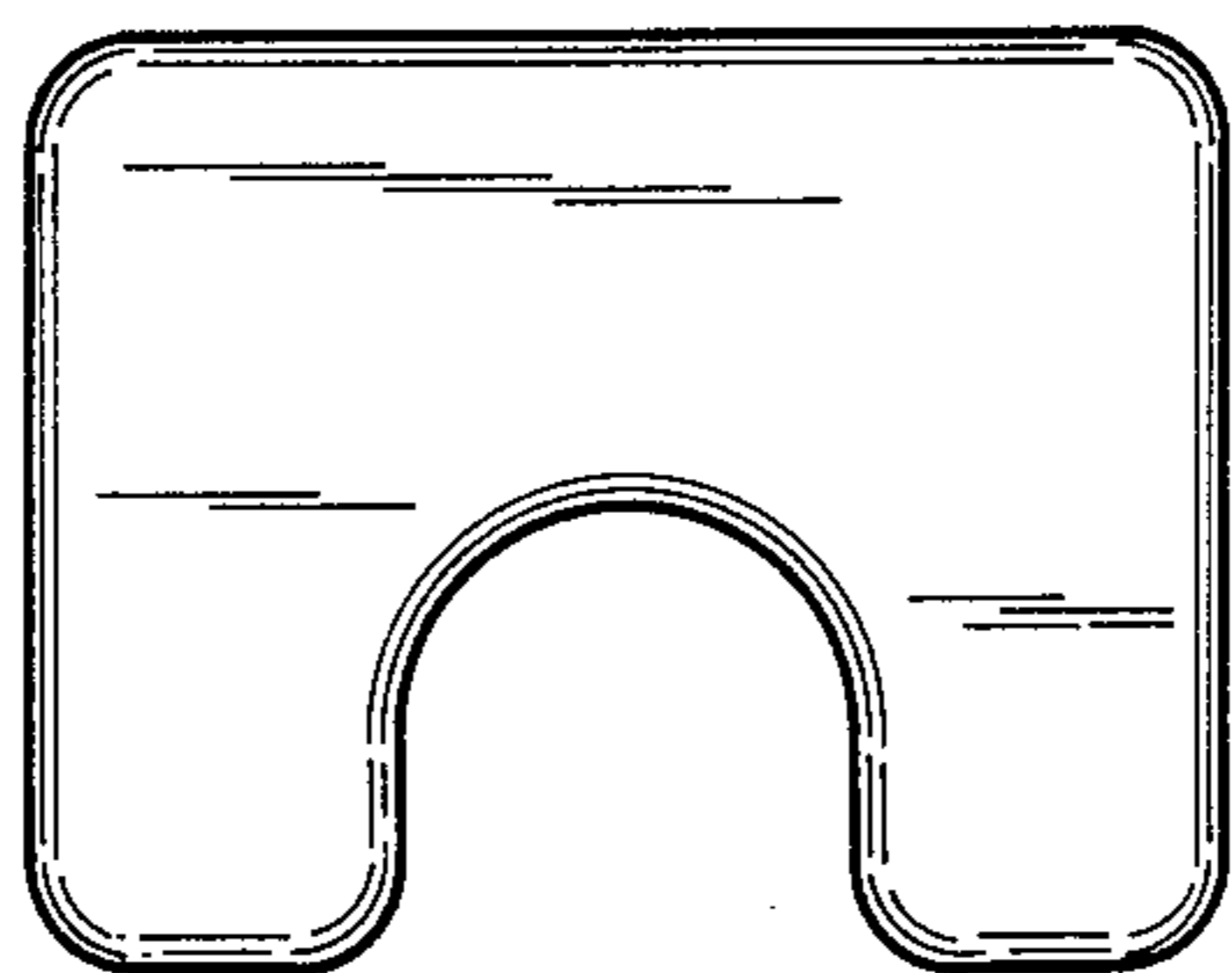


FIG. 4

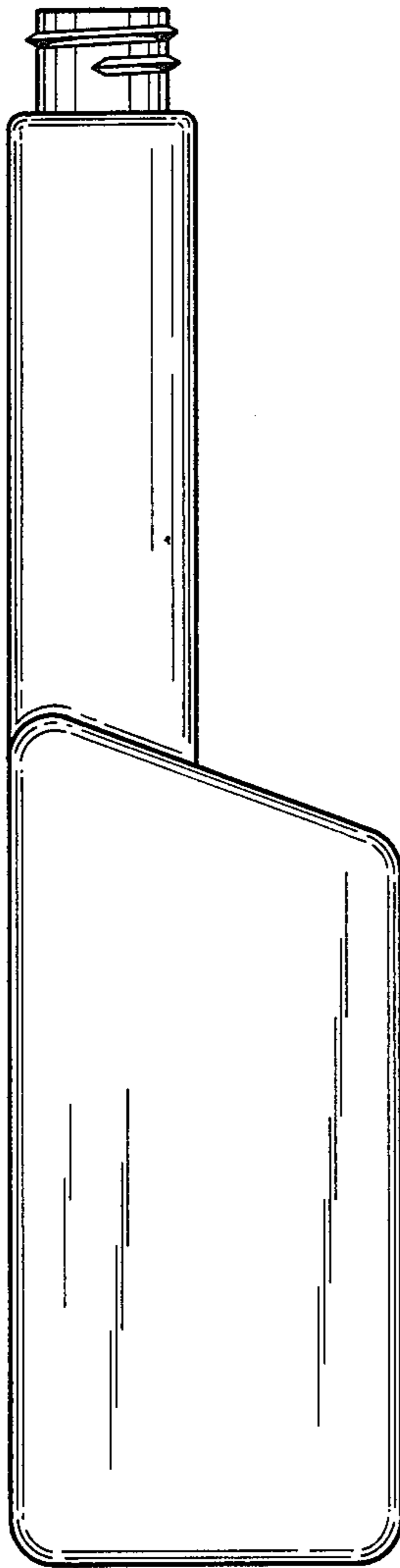


FIG. 5

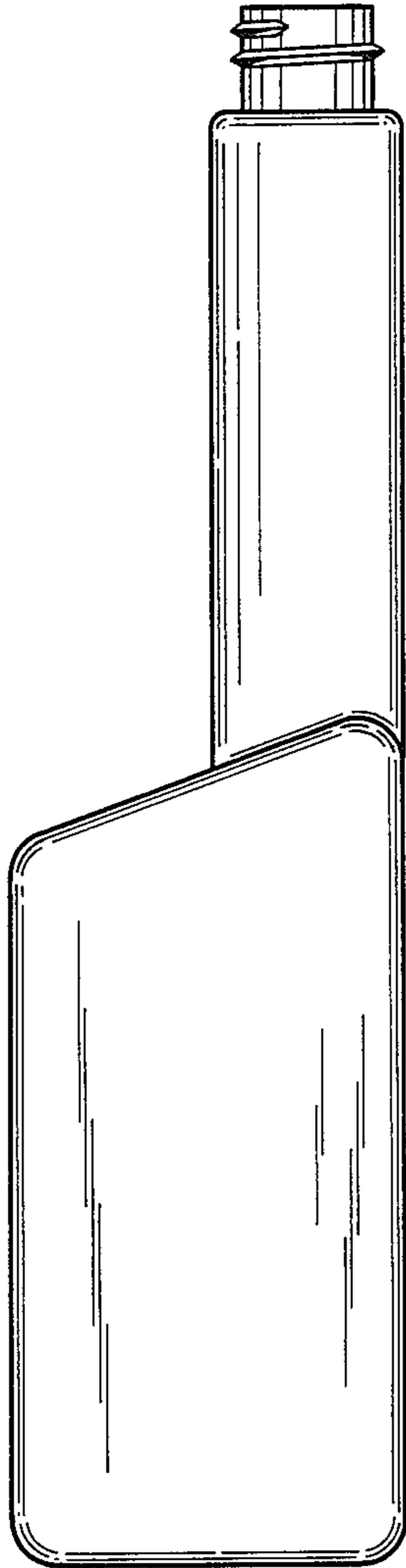


FIG. 6

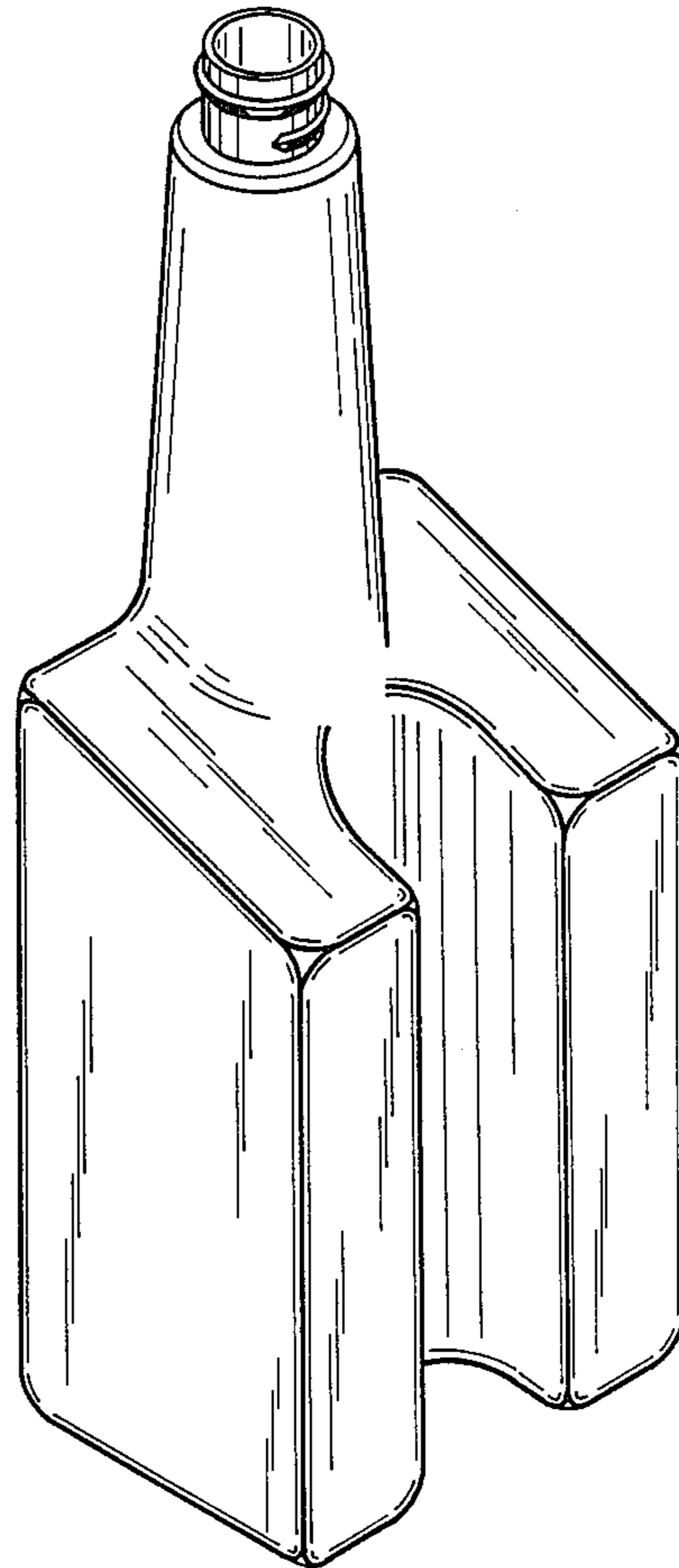


FIG. 7