

[54] EXPANDABLE FASTENER FOR HOLLOW WALLS, CEMENT BLOCKS OR THE LIKE

[76] Inventor: Brent McCoy, 5690 Harris Rd., #19, Jeddo, Mich. 48032

[**] Term: 14 Years

[21] Appl. No.: 787,461

[22] Filed: Oct. 15, 1985

[52] U.S. Cl. D8/385

[58] Field of Search D8/382, 385, 371, 389, D8/383; 411/15, 21, 60, 38, 49-53, 54, 70, 461, 466

1,349,977	8/1920	Mulkern .	
1,881,973	10/1932	Schmitt	411/38
1,881,973	10/1932	Schmitt .	
2,236,079	3/1941	Wipper	411/38
2,964,989	12/1960	Croessant .	
3,718,068	2/1973	Passer .	
3,888,156	6/1975	Fima .	
3,895,773	7/1975	Solo	411/15
4,094,490	6/1978	Einhorn	411/60
4,269,106	5/1981	Leibhard	411/38

Primary Examiner—B. J. Bullock
 Attorney, Agent, or Firm—W. C. Tupman

[57] CLAIM

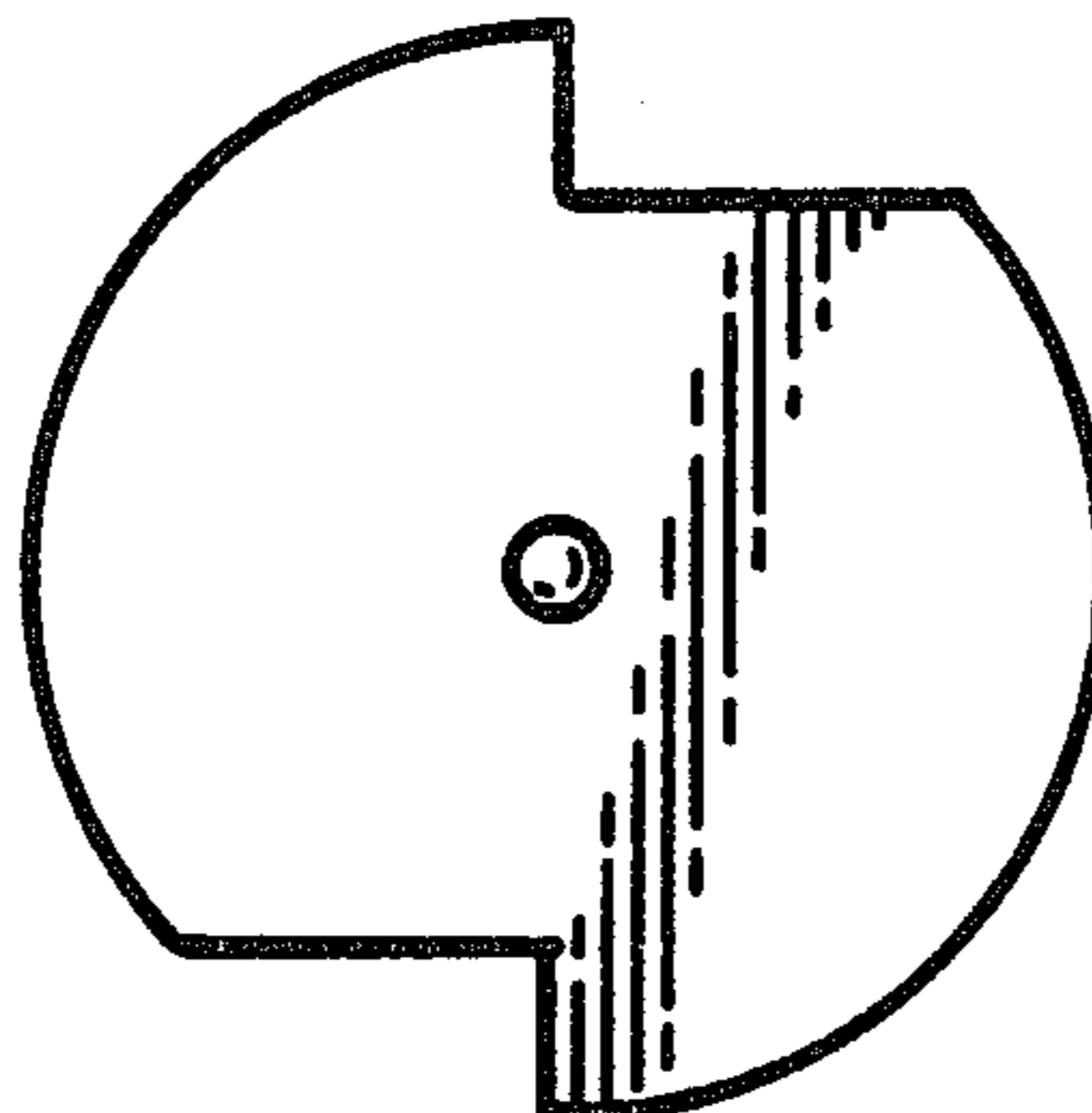
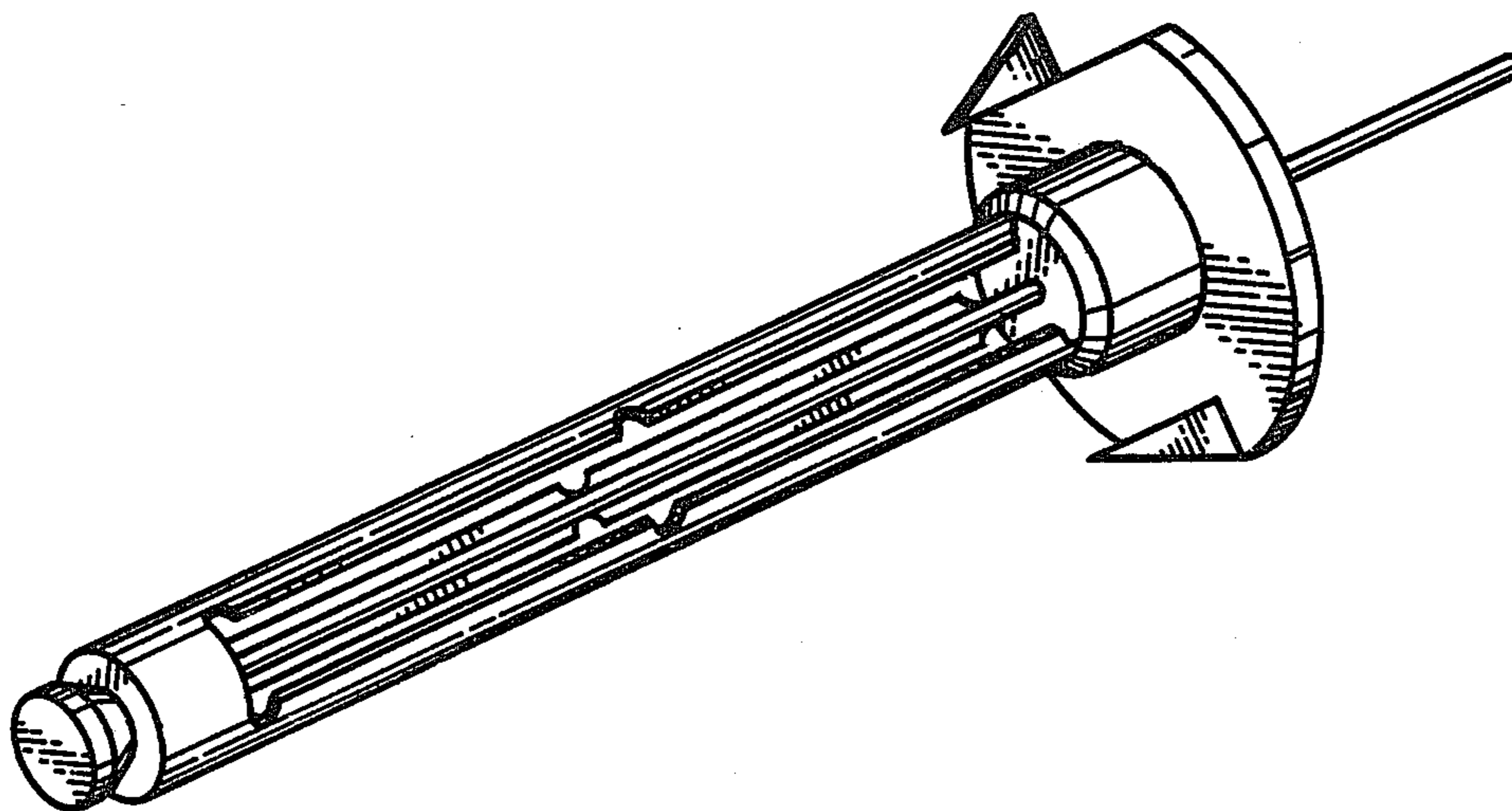
The ornamental design for an expandable fastener for hollow walls, cement blocks or the like, as shown and described.

[56] References Cited
 U.S. PATENT DOCUMENTS

D. 256,552	8/1980	Rowinski	D8/385
D. 263,557	3/1982	Einhorn	D8/385
D. 268,894	5/1983	Wollar .	
D. 284,267	6/1986	Lindell .	
D. 284,449	7/1986	Lindell .	
D. 285,048	8/1986	Beck .	
964,226	7/1910	Farrand	411/15
1,316,857	9/1919	Schilling .	

DESCRIPTION

FIG. 1 is an isometric view of an expandable fastener for hollow walls, cement blocks or the like showing my new design;
 FIG. 2 is a side view;
 FIG. 3 is another side view;
 FIG. 4 is a right end view thereof;
 FIG. 5 is a left end view thereof.



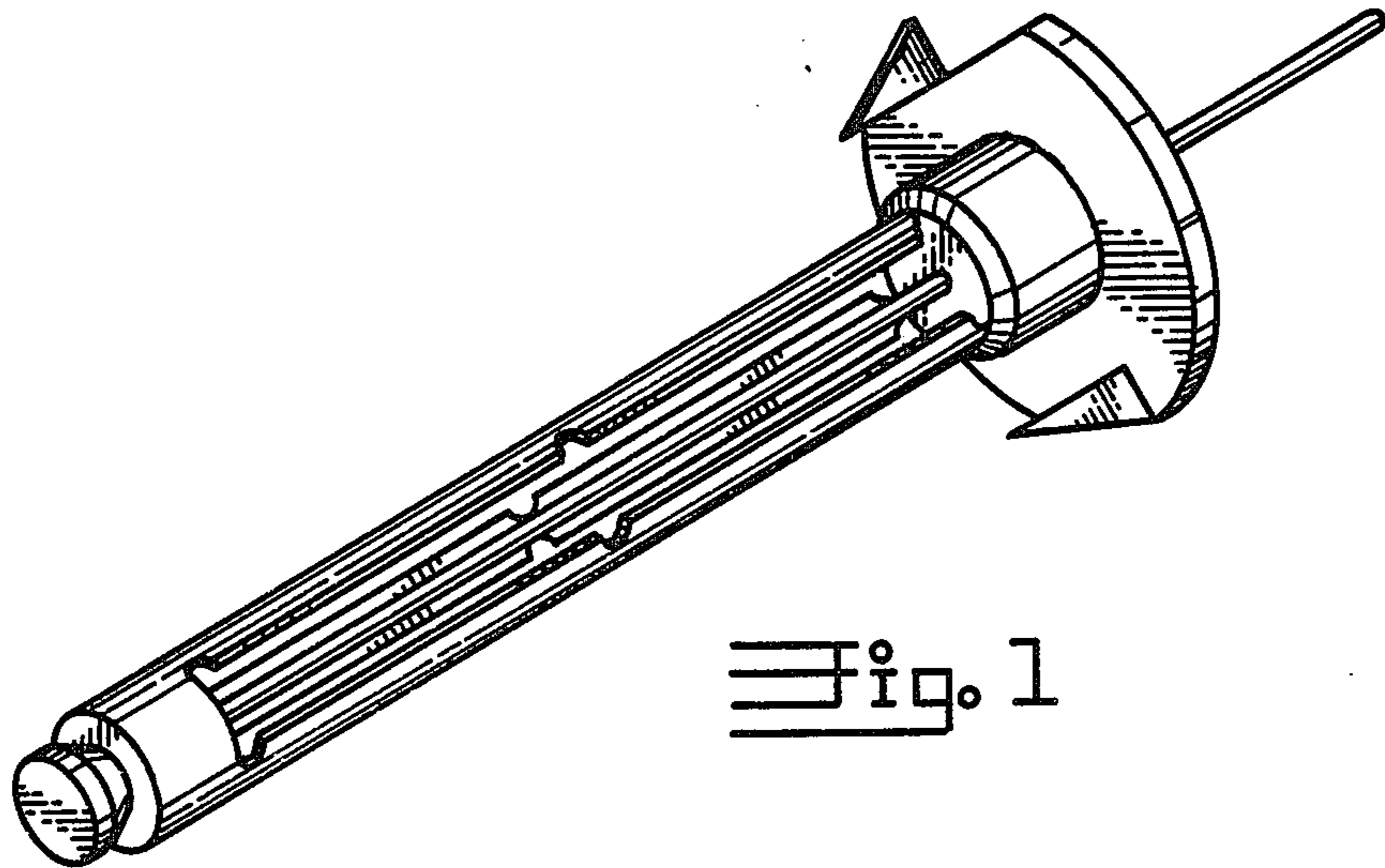


Fig. 1

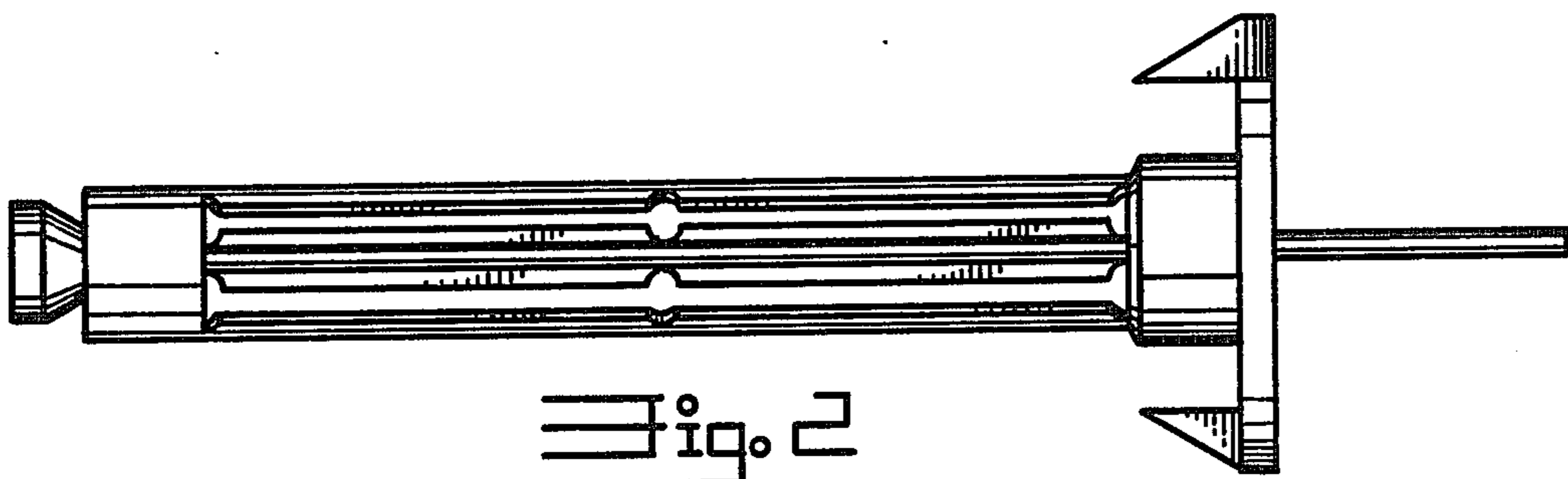


Fig. 2

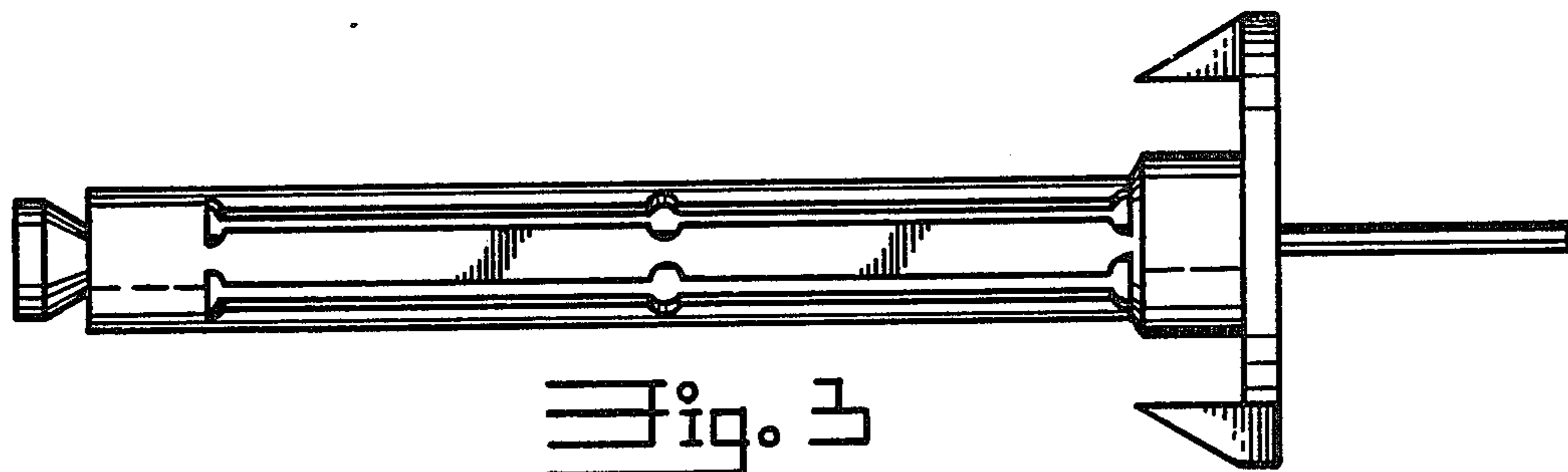


Fig. 3

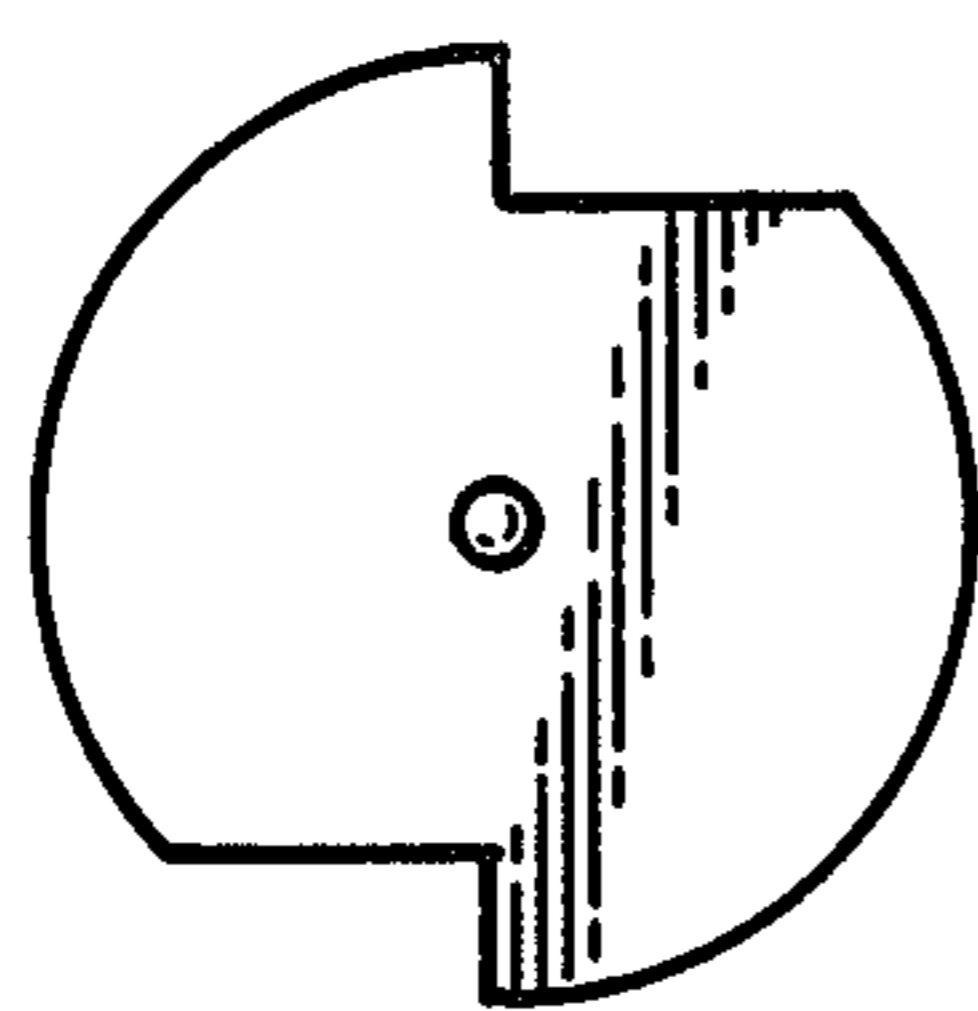


Fig. 4

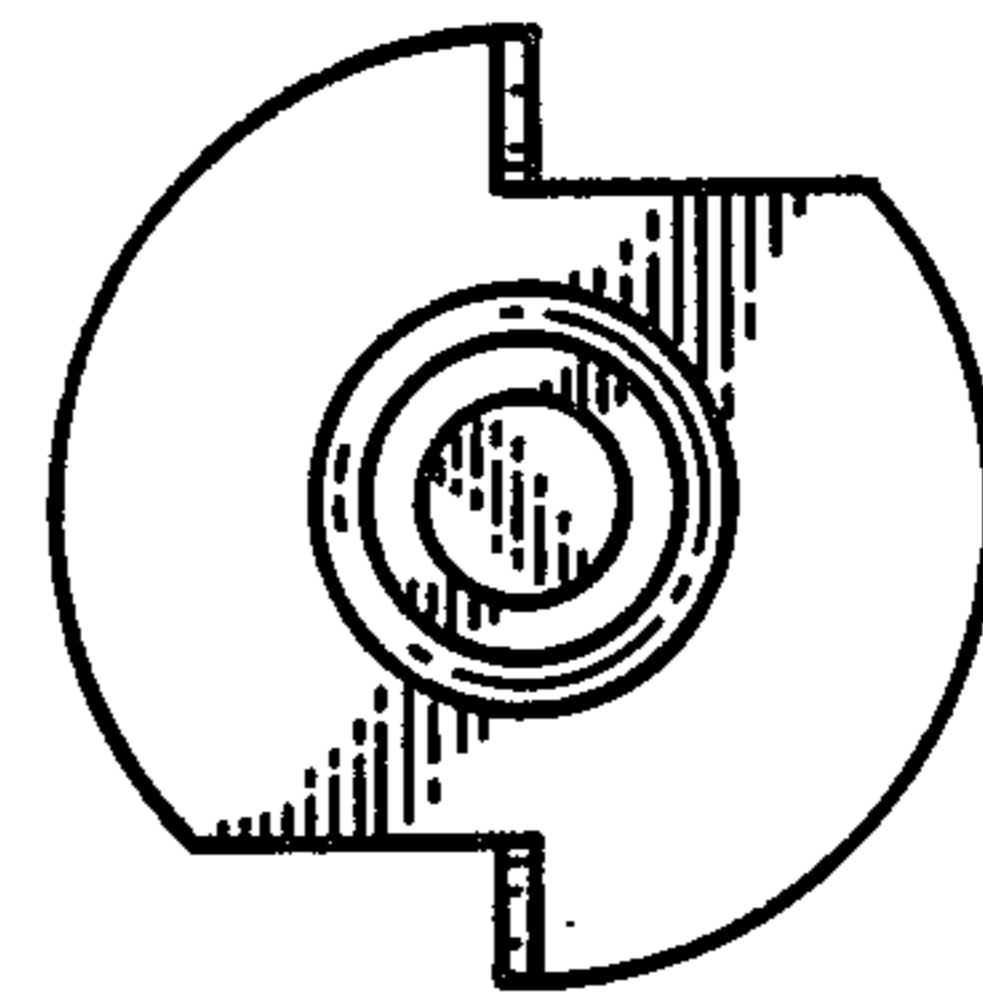


Fig. 5

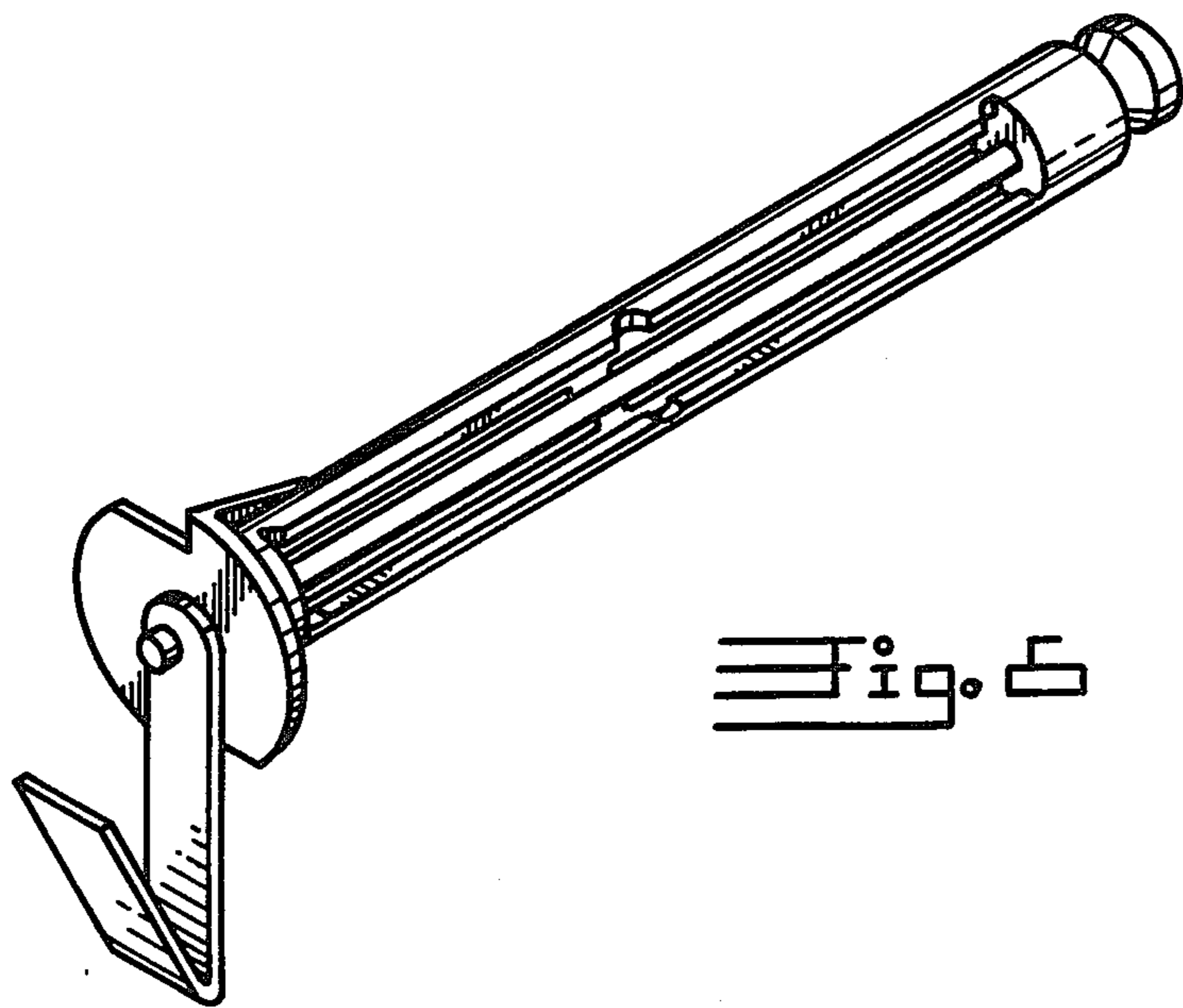


Fig. 6

UNITED STATES PATENT AND TRADEMARK OFFICE
CERTIFICATE OF CORRECTION

PATENT NO. : Des. 297,708
DATED : September 20, 1988
INVENTOR(S) : Brent McCoy

It is certified that error appears in the above-identified patent and that said Letters Patent is hereby corrected as shown below:

Sheet 2 of 2 of the Drawing consisting of Figure 6 should be cancelled.

**Signed and Sealed this
Twenty-first Day of March, 1989**

Attest:

Attesting Officer

DONALD J. QUIGG

Commissioner of Patents and Trademarks