

[54] RACK

[76] Inventors: Steven J. Rose, 5542 Sepulveda Blvd., Culver City, Calif. 90230; Larry F. Knowles, 835 Milwood Ave., Venice, Calif. 90291

[**] Term: 14 Years

[21] Appl. No.: 820,136

[22] Filed: Jan. 21, 1986

[52] U.S. Cl. D6/566; D6/567; D6/512; D8/373

[58] Field of Search D6/512, 553, 566, 567, D6/465, 572; D8/373; 211/13, 60.1, 70.1, 70.5, 70.6, 86, 87, 88, 181, 75; 248/309.1, 99, 300, 315; 47/39; D25/74, 75; D34/1, 5

[56] References Cited

U.S. PATENT DOCUMENTS

D. 283,859 5/1986 Padgett D6/465

FOREIGN PATENT DOCUMENTS

0192172 11/1956 Austria 47/39

OTHER PUBLICATIONS

Modern Plastics Encyclopedia; 1948; p. 1523; Triangular Rod 160, p. 1522; Angle 152, p. 1514; Channel 37.

Dahlstrom Mfg. Co. Cat. No. 11; p. 141 Angle Die (bottom of page); p. 19; Channel 2423.

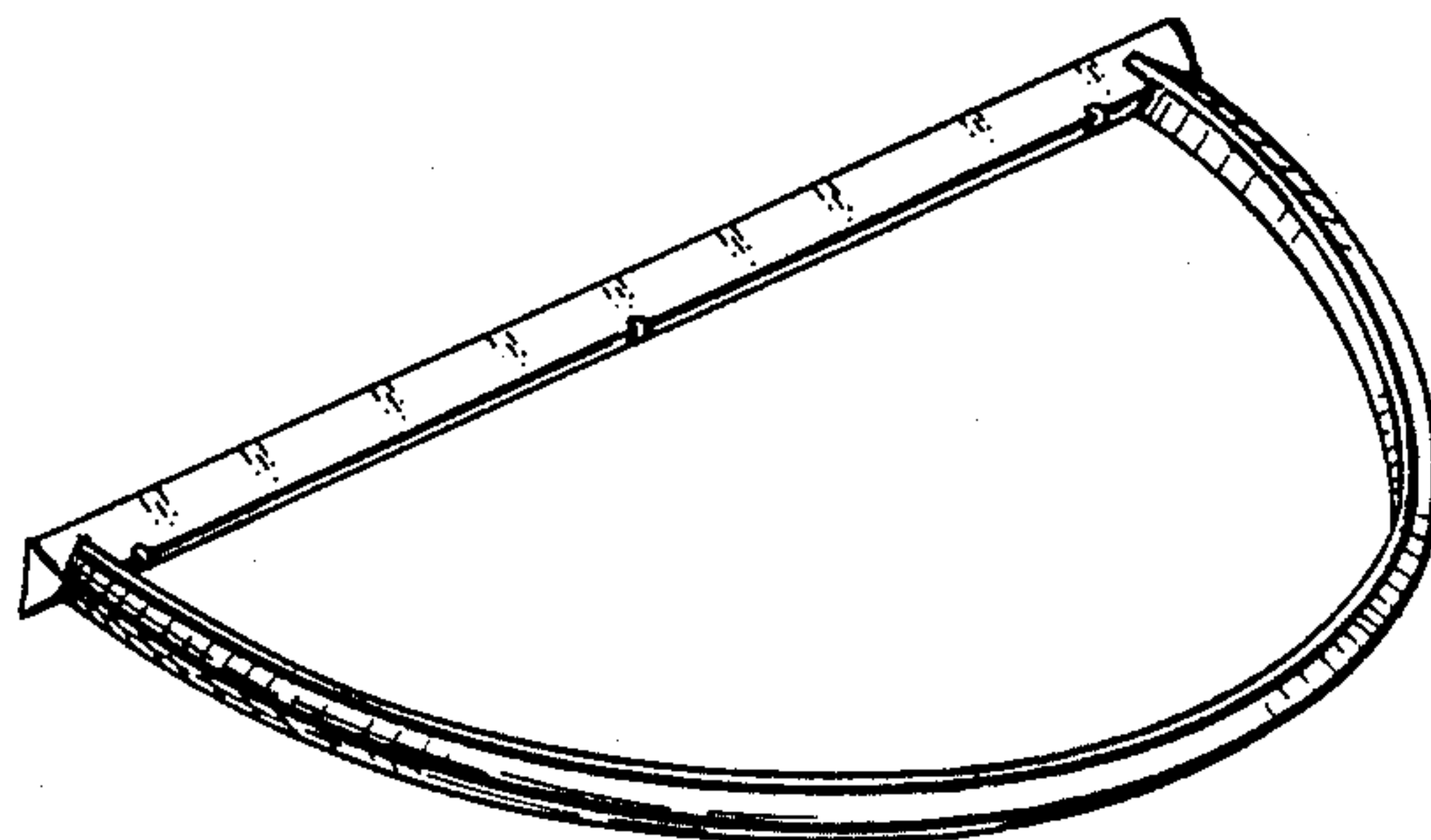
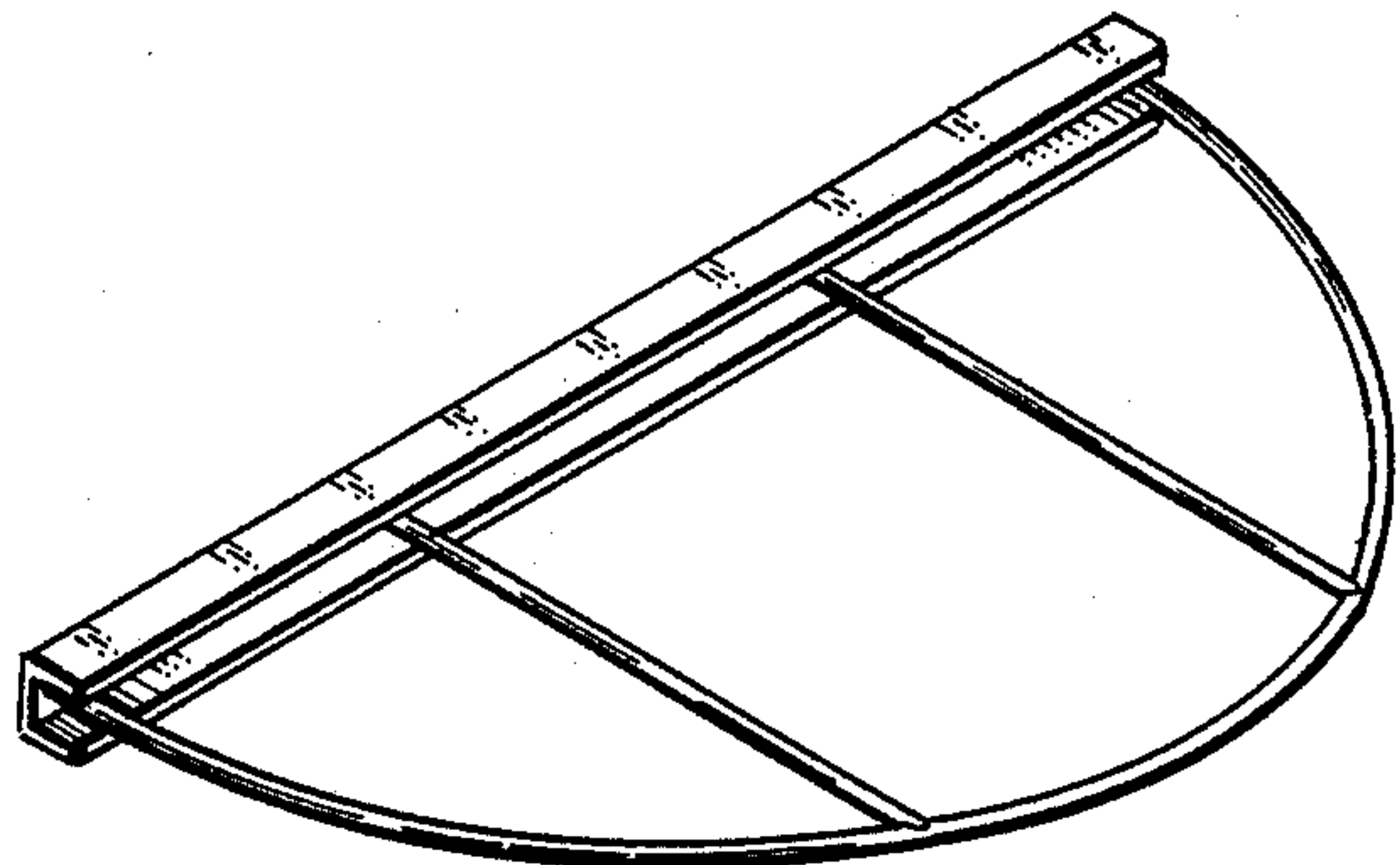
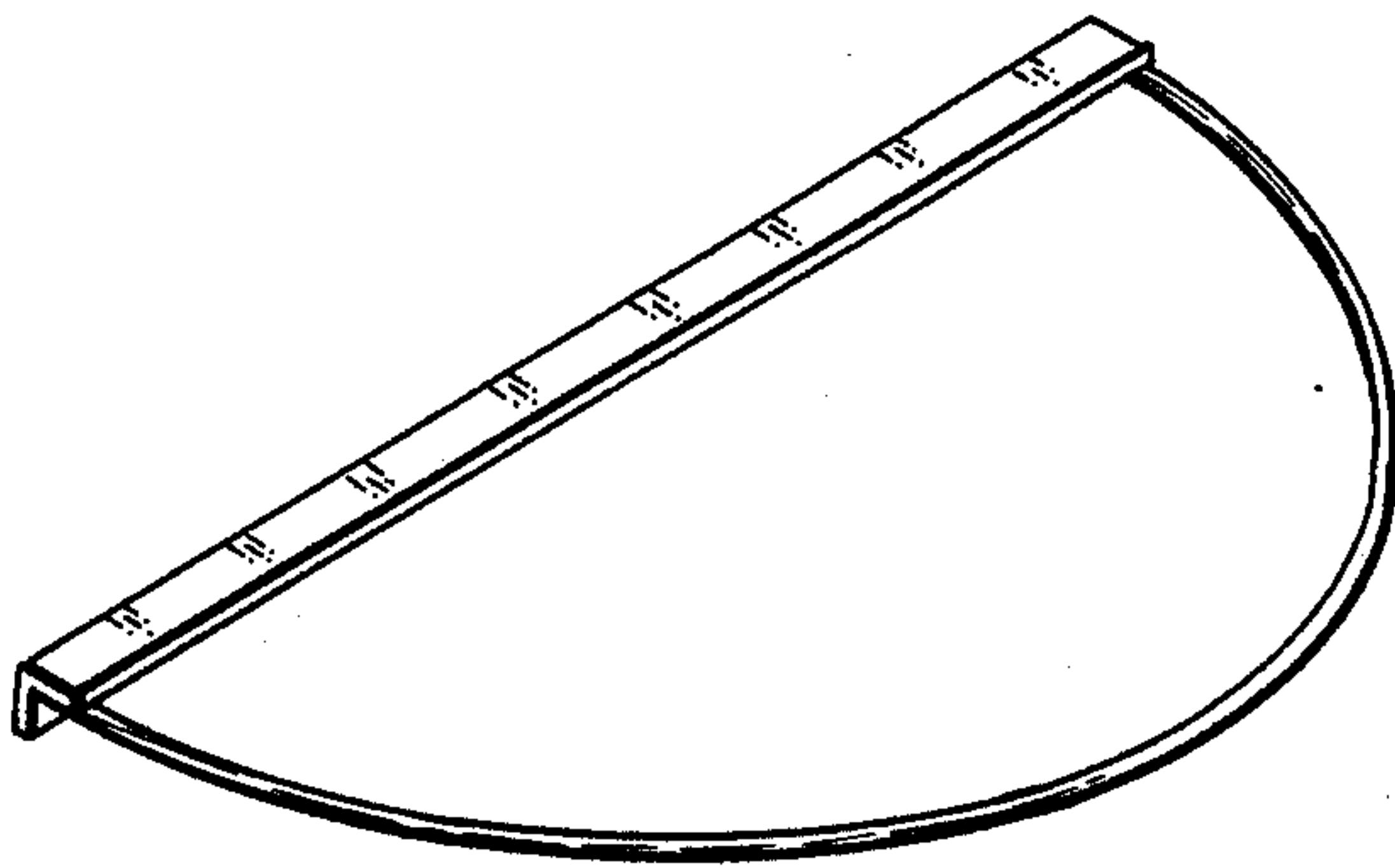
Primary Examiner—B. J. Bullock
Attorney, Agent, or Firm—Bruce A. Jagger

[57] CLAIM

The ornamental design for a rack, as shown and described.

DESCRIPTION

FIG. 1 is a perspective view of a rack showing our new design;
FIG. 2 is a right side view thereof;
FIG. 3 is a bottom view thereof;
FIG. 4 is a back view thereof;
FIG. 5 is a perspective view of a second embodiment of the design of FIG. 1;
FIG. 6 is a perspective view of a third embodiment of the design of FIG. 1;
FIG. 7 is a perspective view of a fourth embodiment of the design of FIG. 1;
FIG. 8 is a perspective view of a fifth embodiment of the design of FIG. 1;
FIG. 9 is a perspective view of a sixth embodiment of the design of FIG. 1;
FIG. 10 is a perspective view of a seventh embodiment of the design of FIG. 1.



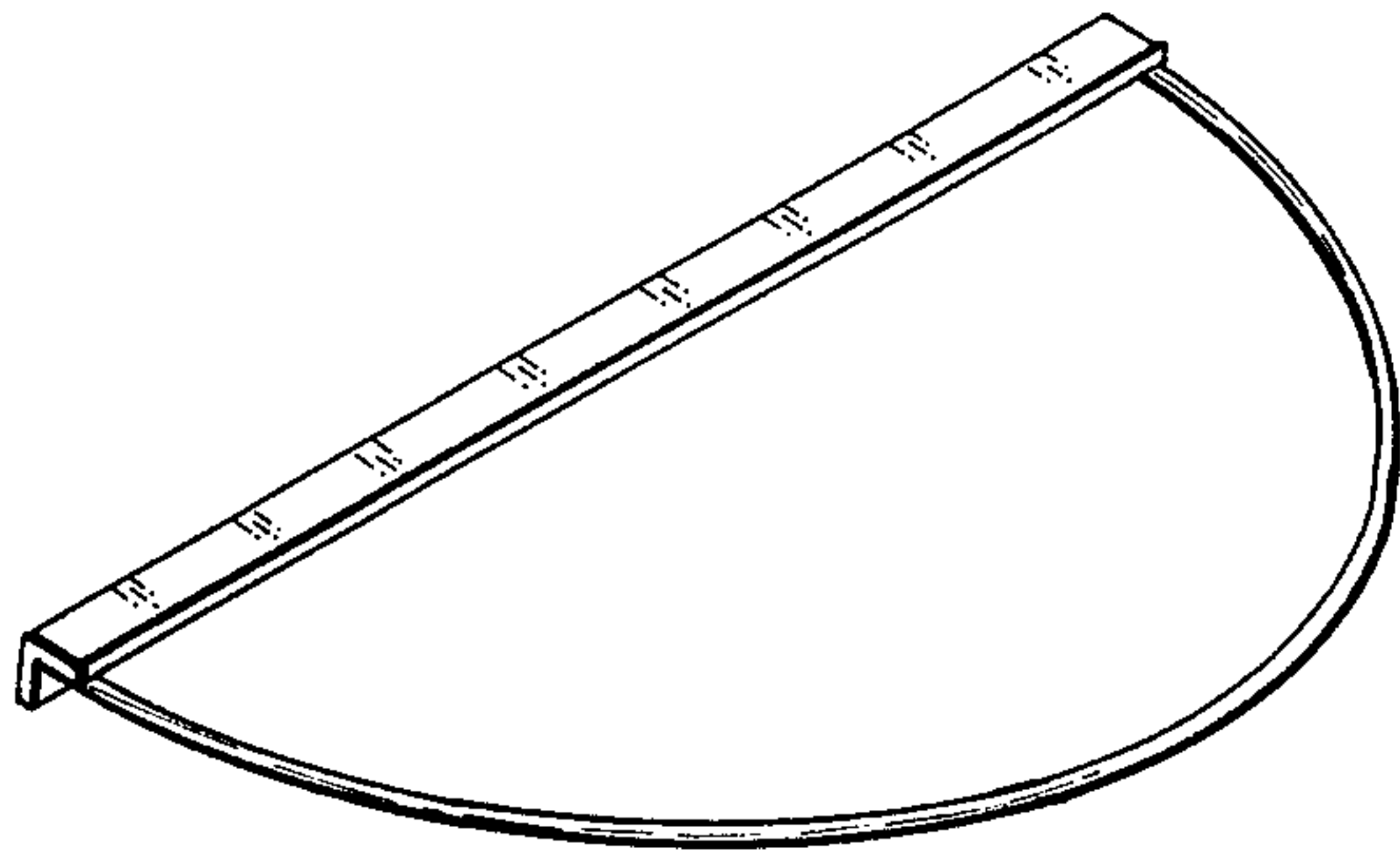


Fig. 1



Fig. 2

Fig. 3

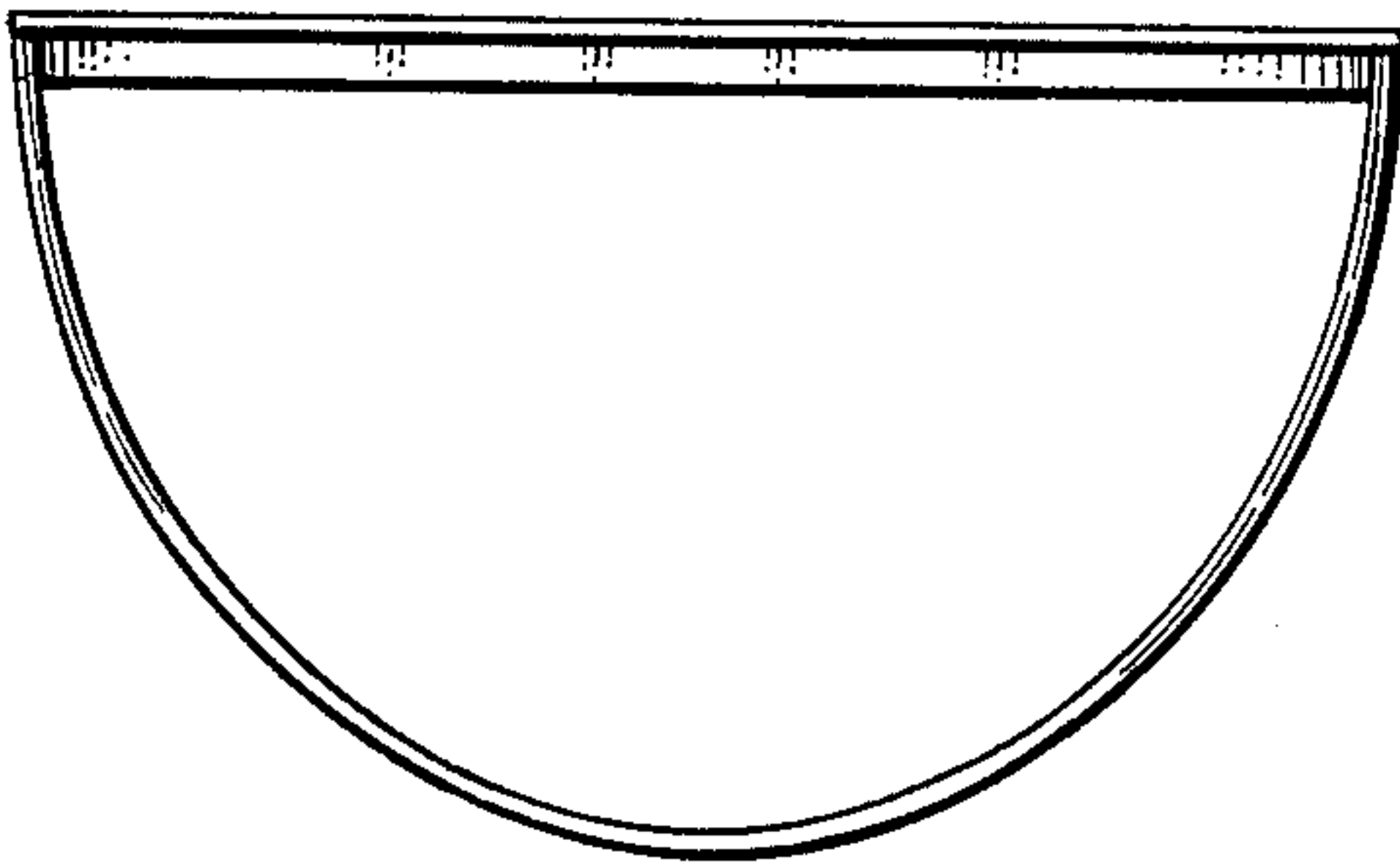


Fig. 4

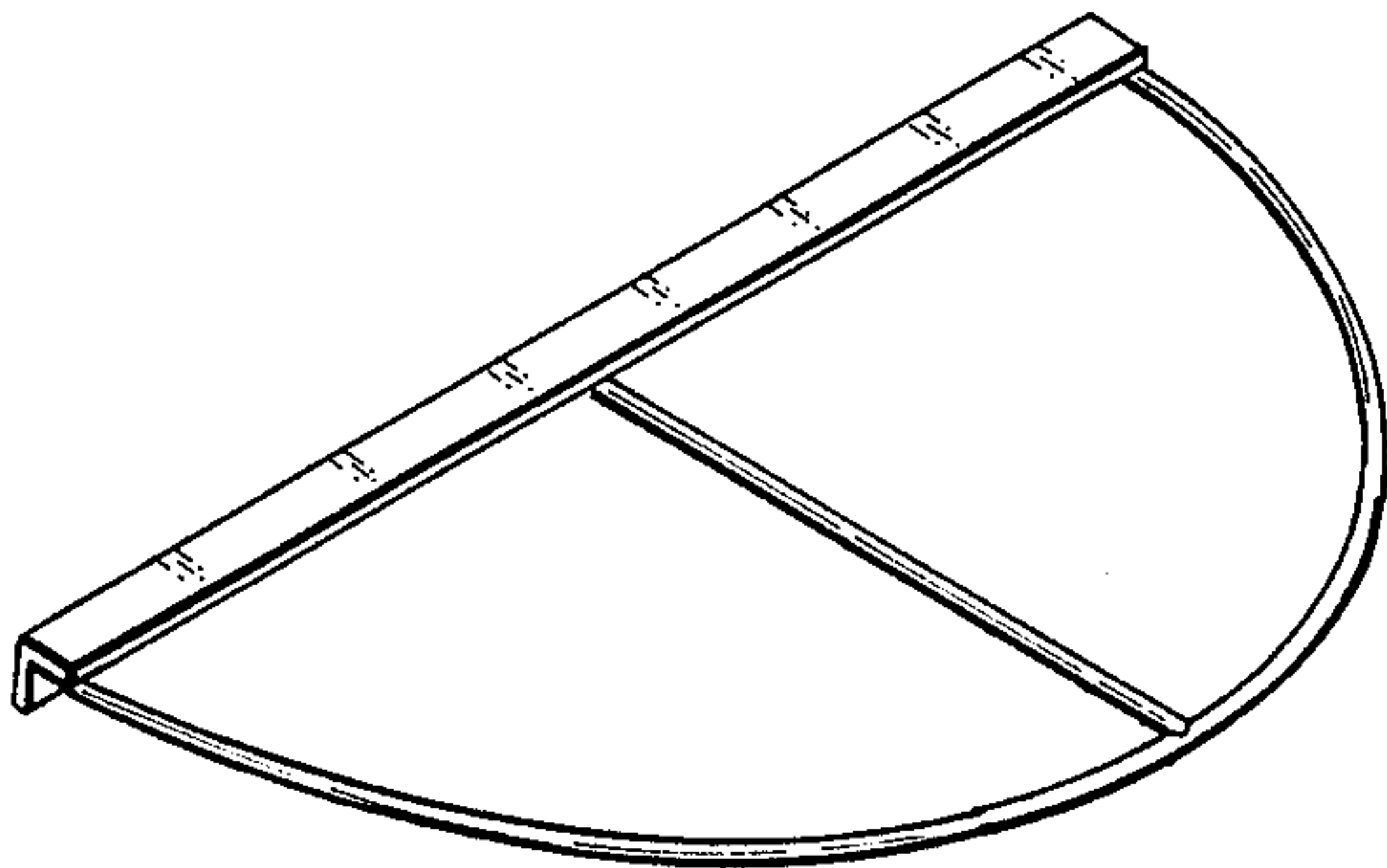


Fig. 5

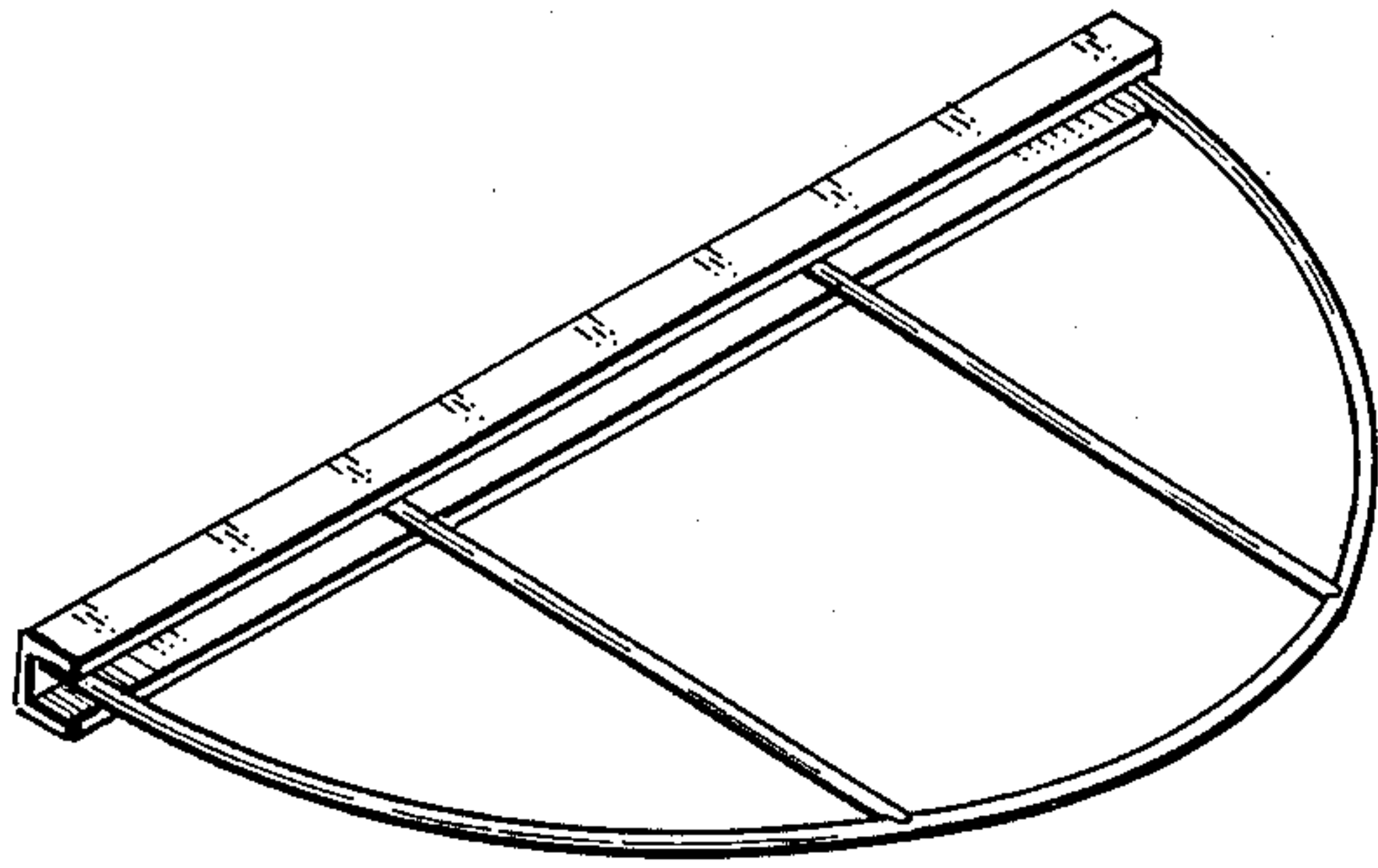


Fig. 6

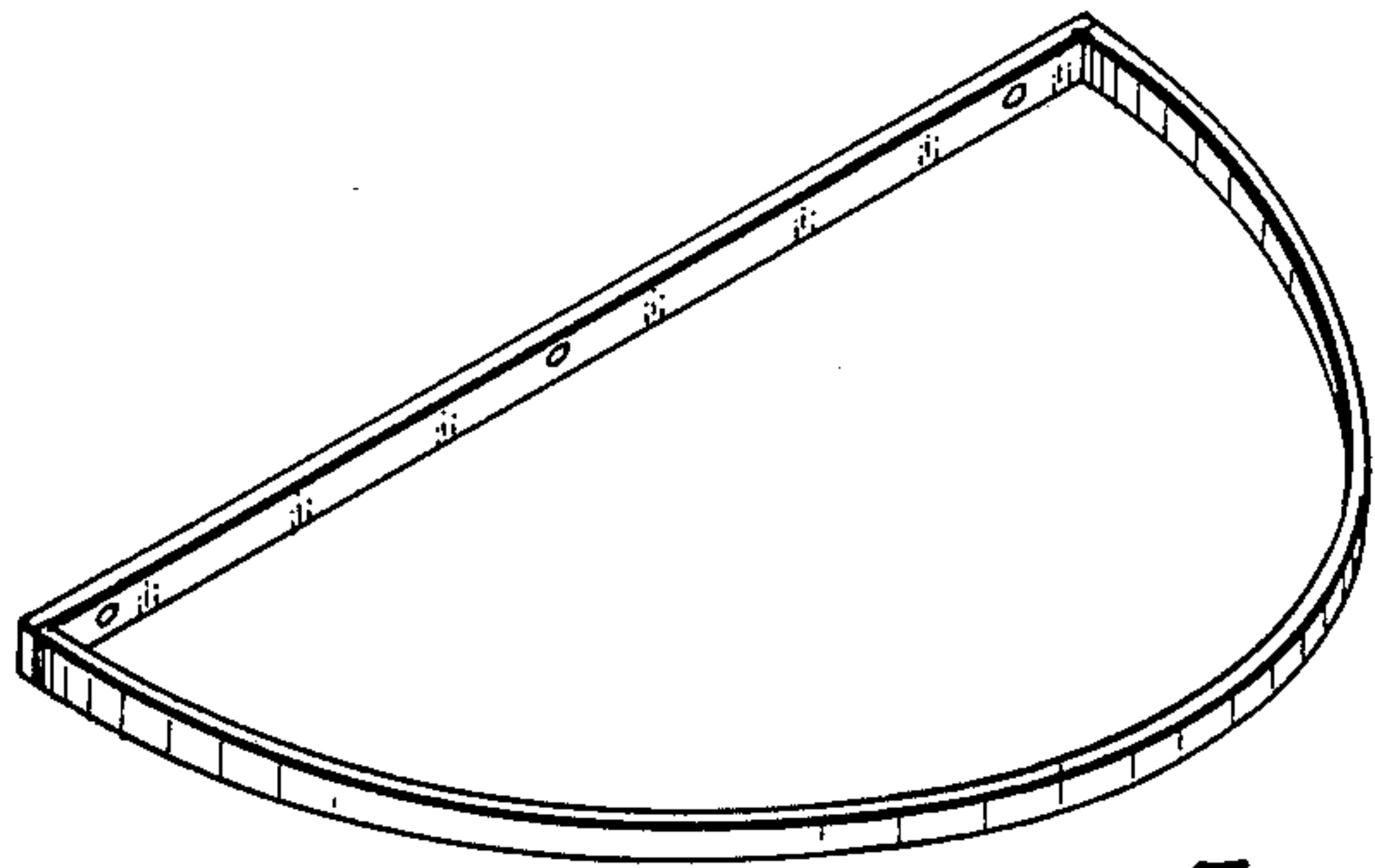


Fig. 7

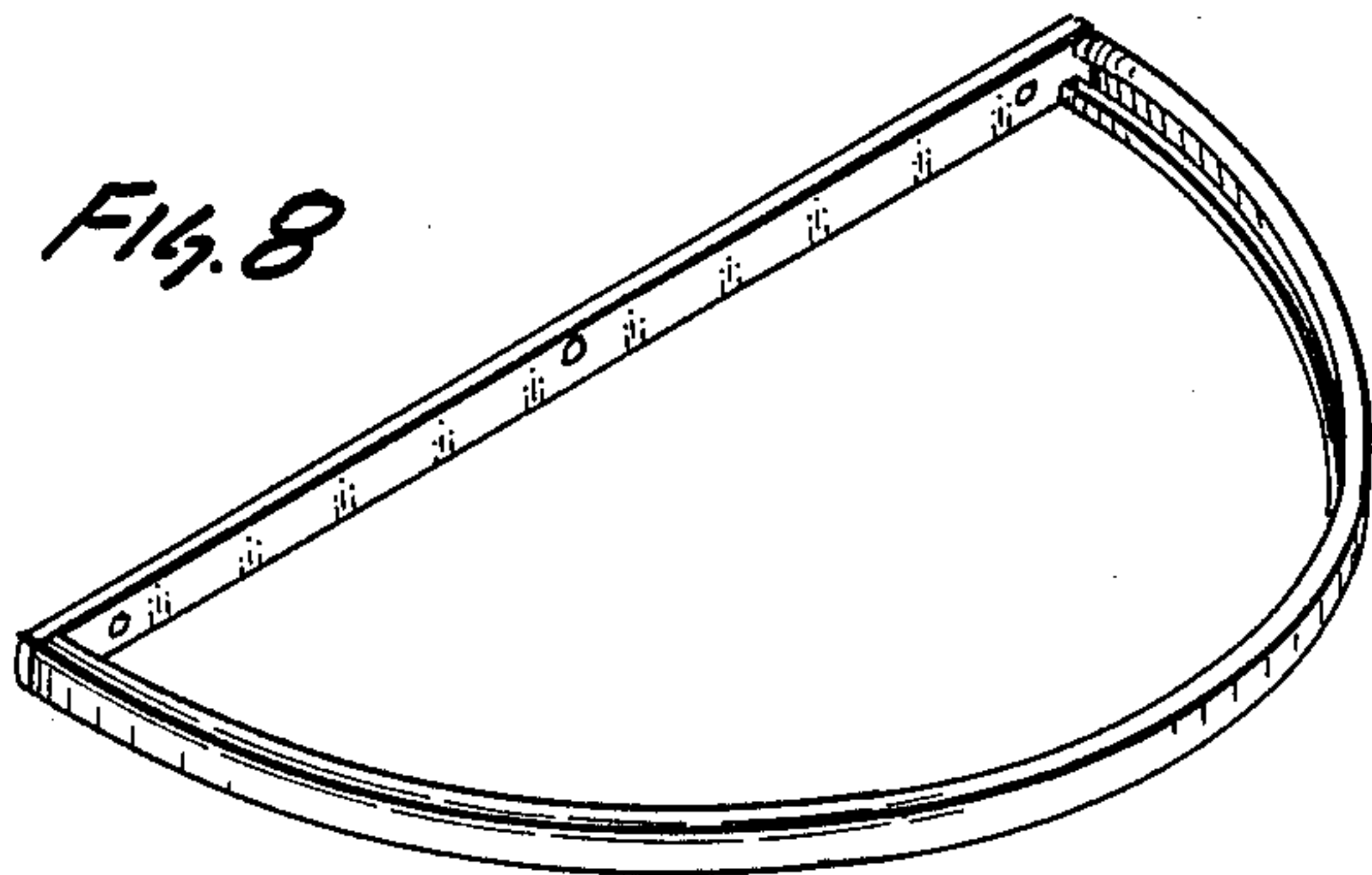


Fig. 8

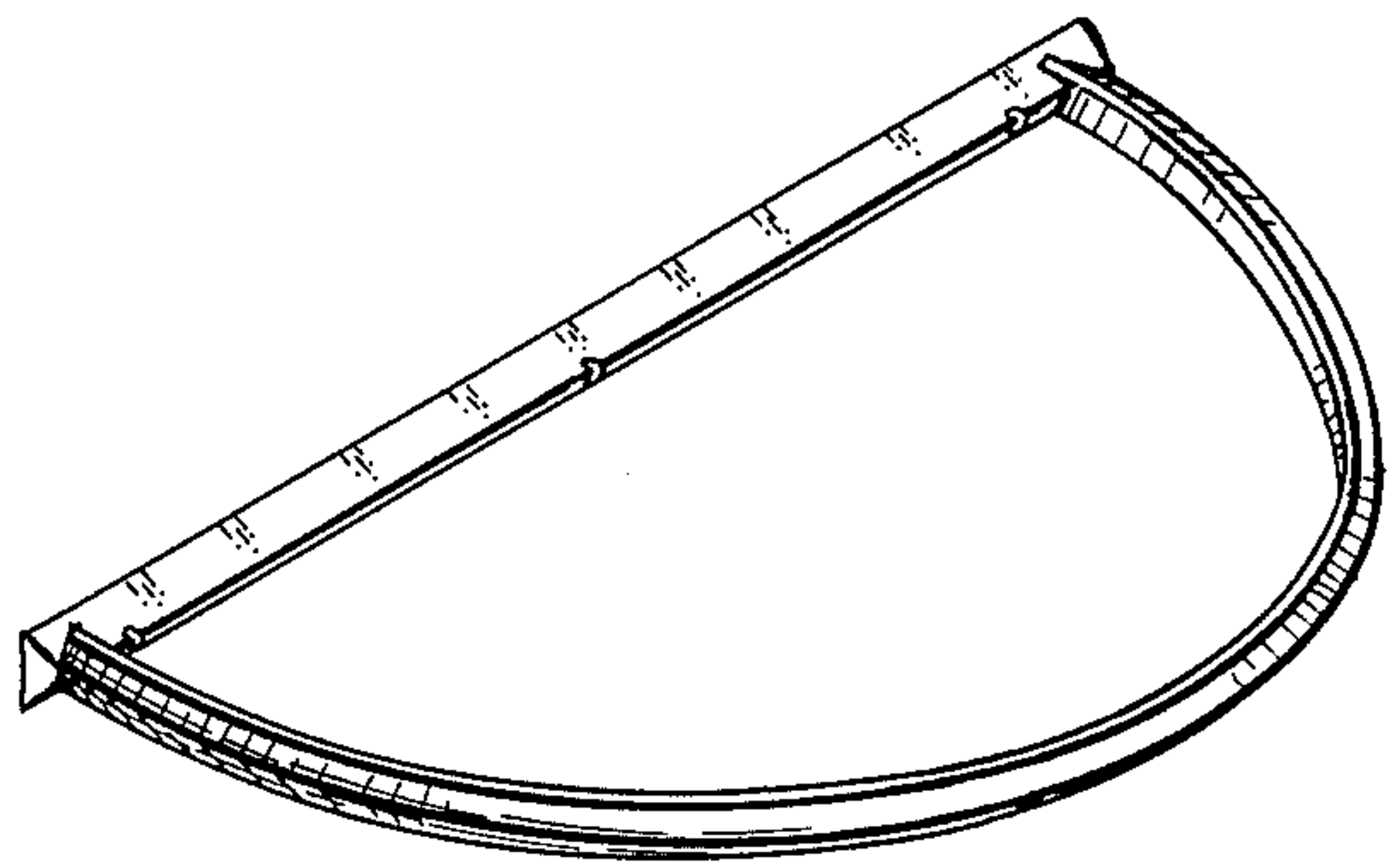


Fig. 9

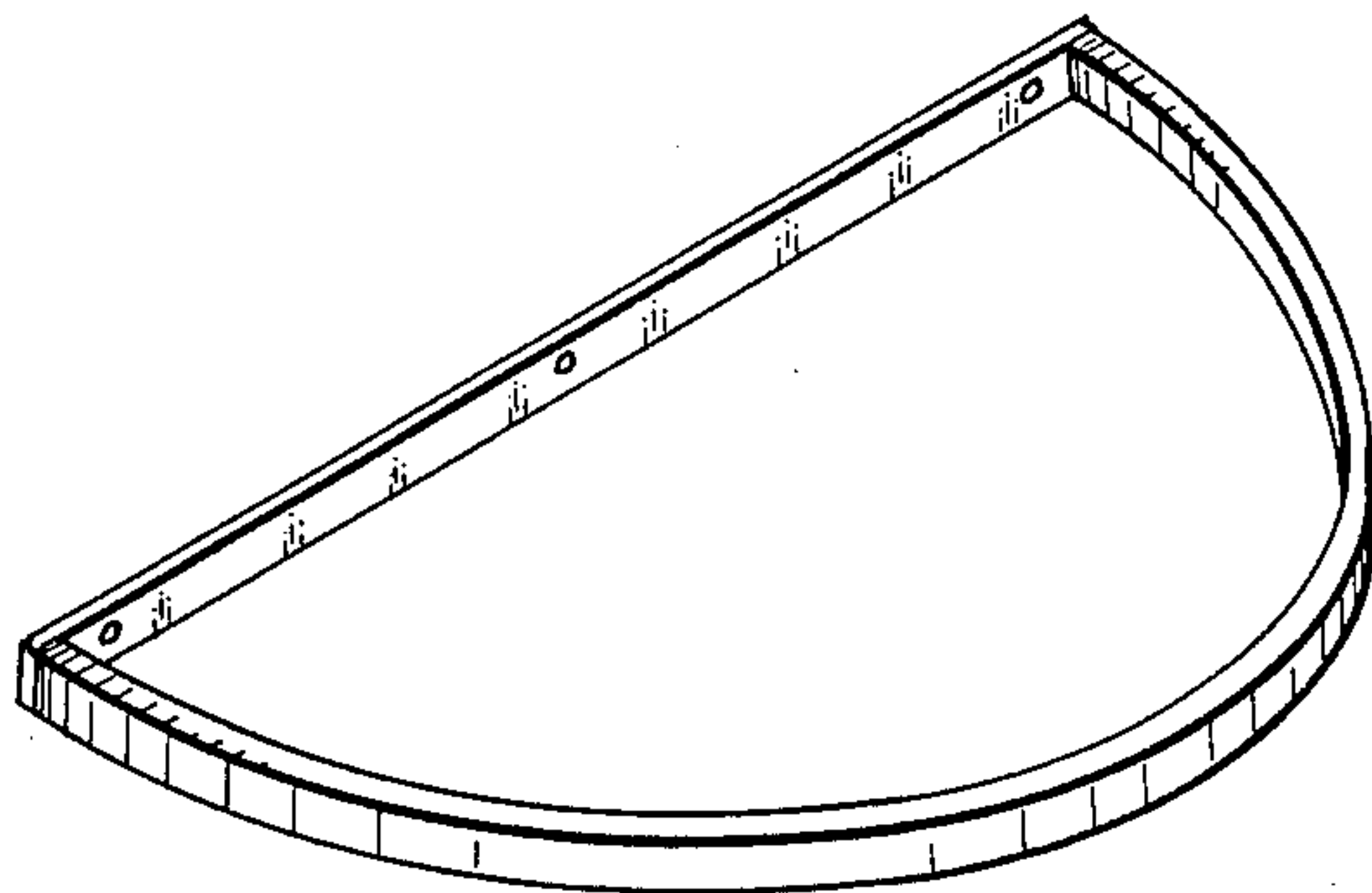


Fig. 10