

[54] **CADDY**

[76] **Inventor: Ralph E. Norstedt, 360 Leavitt, Evansville, Wyo. 82636**

[**] **Term: 14 Years**

[21] **Appl. No.: 852,927**

[22] **Filed: Apr. 16, 1986**

[52] **U.S. Cl. D6/553**

[58] **Field of Search D6/512, 553, 567, 569, D6/571; 108/25; 211/10, 13, 45, 60.1, 71, 74-75, 86-87, 126; 224/277**

[56] **References Cited**

U.S. PATENT DOCUMENTS

- D. 141,423 5/1945 Lewis D6/573
- D. 168,746 2/1953 Laciura D6/532
- D. 242,098 11/1976 Leopold D6/571

- D. 267,808 1/1983 Russo D6/573 X
- 1,027,362 5/1912 Strong 224/277
- 1,487,574 3/1924 Jordan 224/277

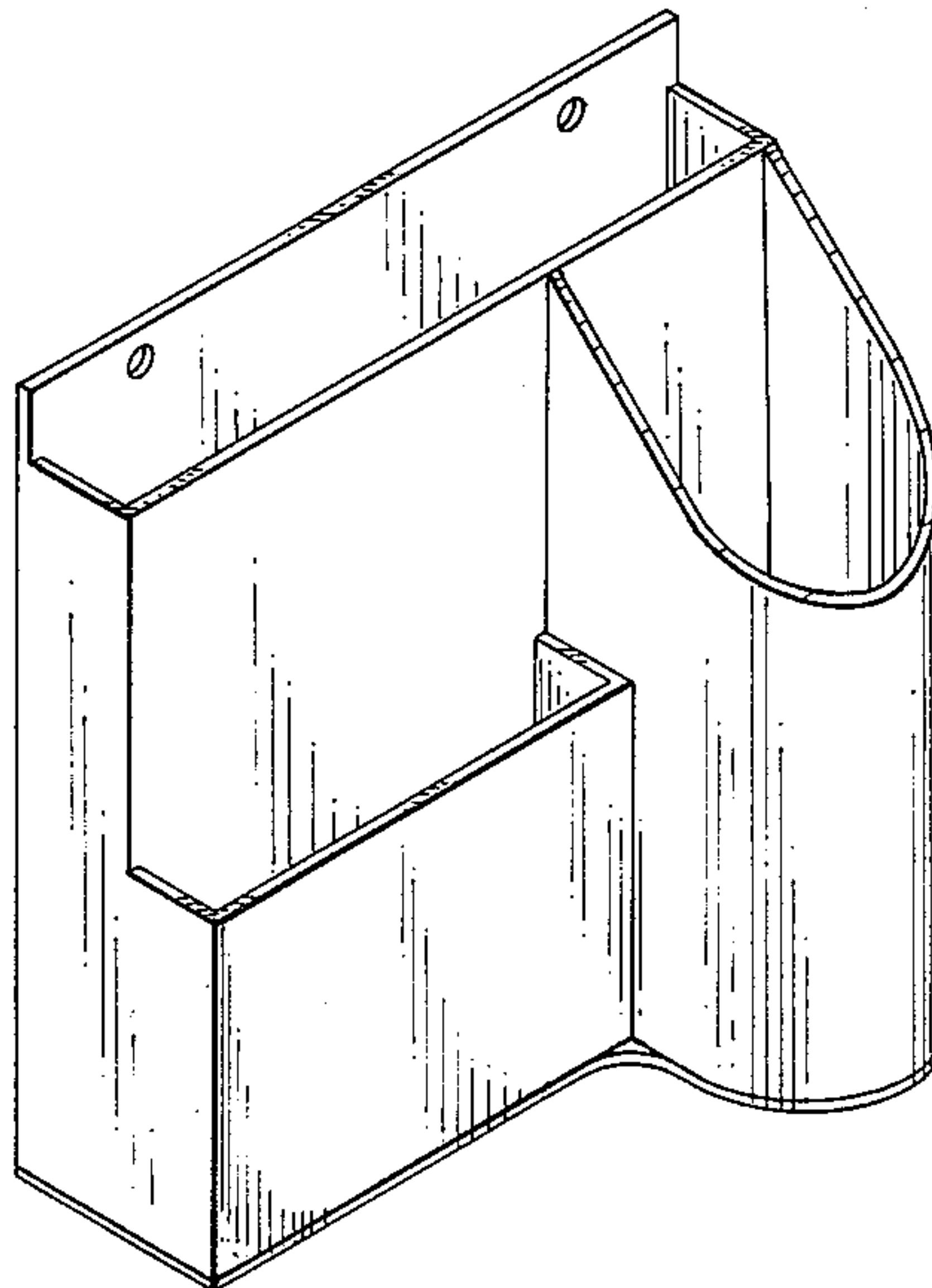
Primary Examiner—Wallace R. Burke
Assistant Examiner—Brian N. Vinson
Attorney, Agent, or Firm—Dean P. Edmundson

[57] **CLAIM**

The ornamental design for a caddy, as shown.

DESCRIPTION

FIG. 1 is a top perspective view of a caddy showing my new design;
FIG. 2 is a front elevational view thereof;
FIG. 3 is a rear elevational view thereof;
FIG. 4 is a right side elevational view thereof;
FIG. 5 is a left side elevational view thereof;
FIG. 6 is a top plan view thereof; and,
FIG. 7 is a bottom plan view thereof.



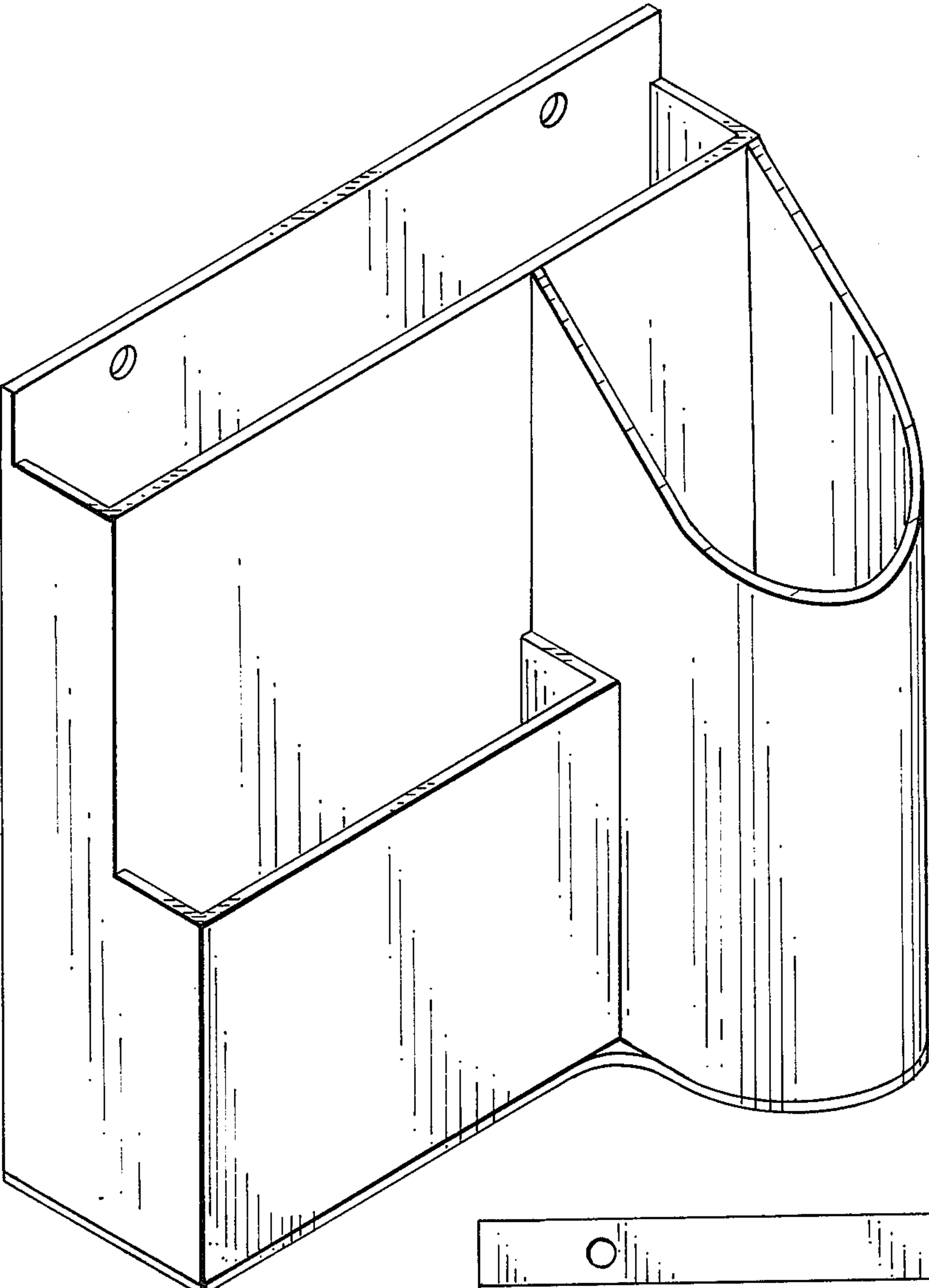


FIG. 1

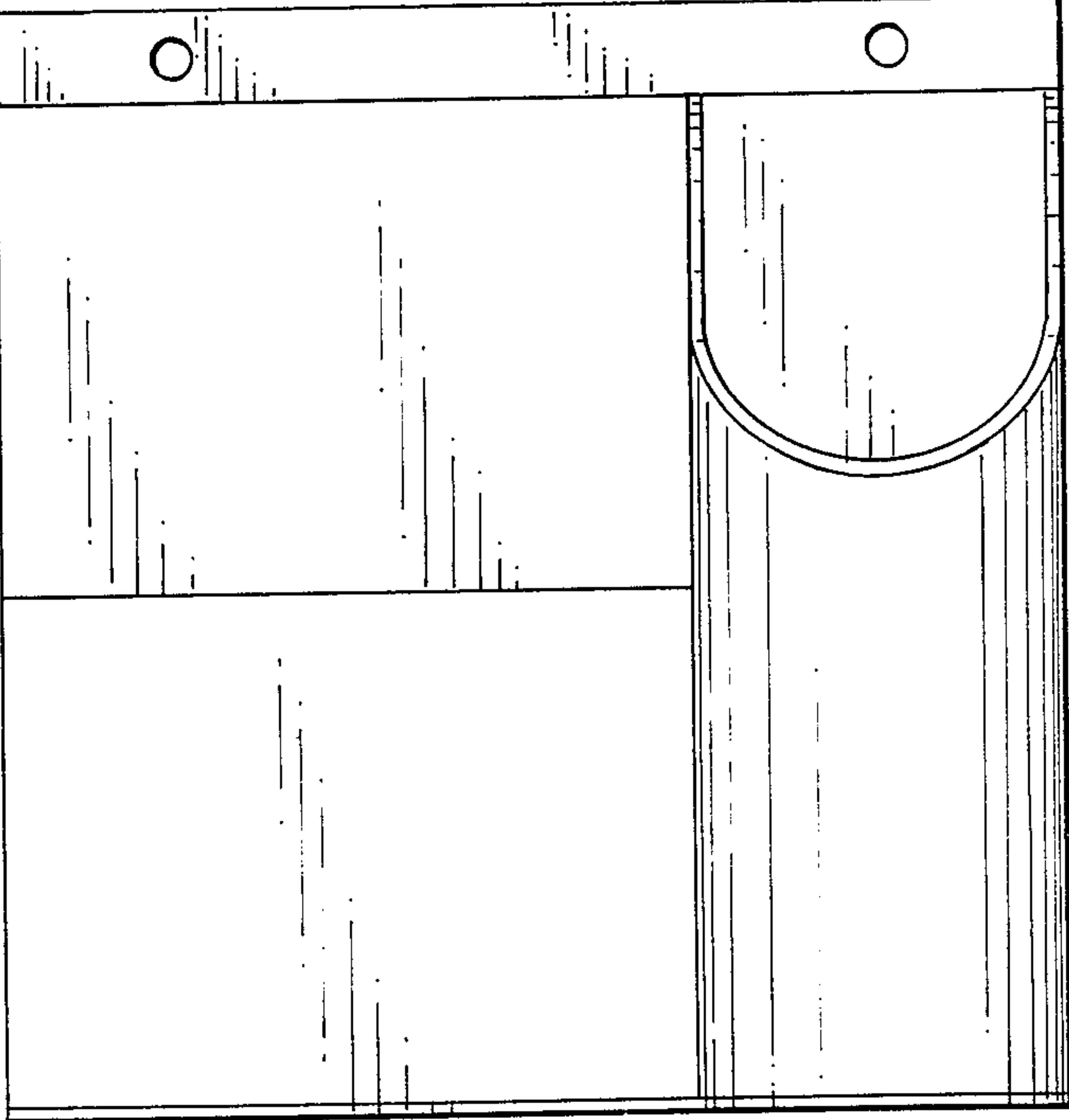


FIG. 2

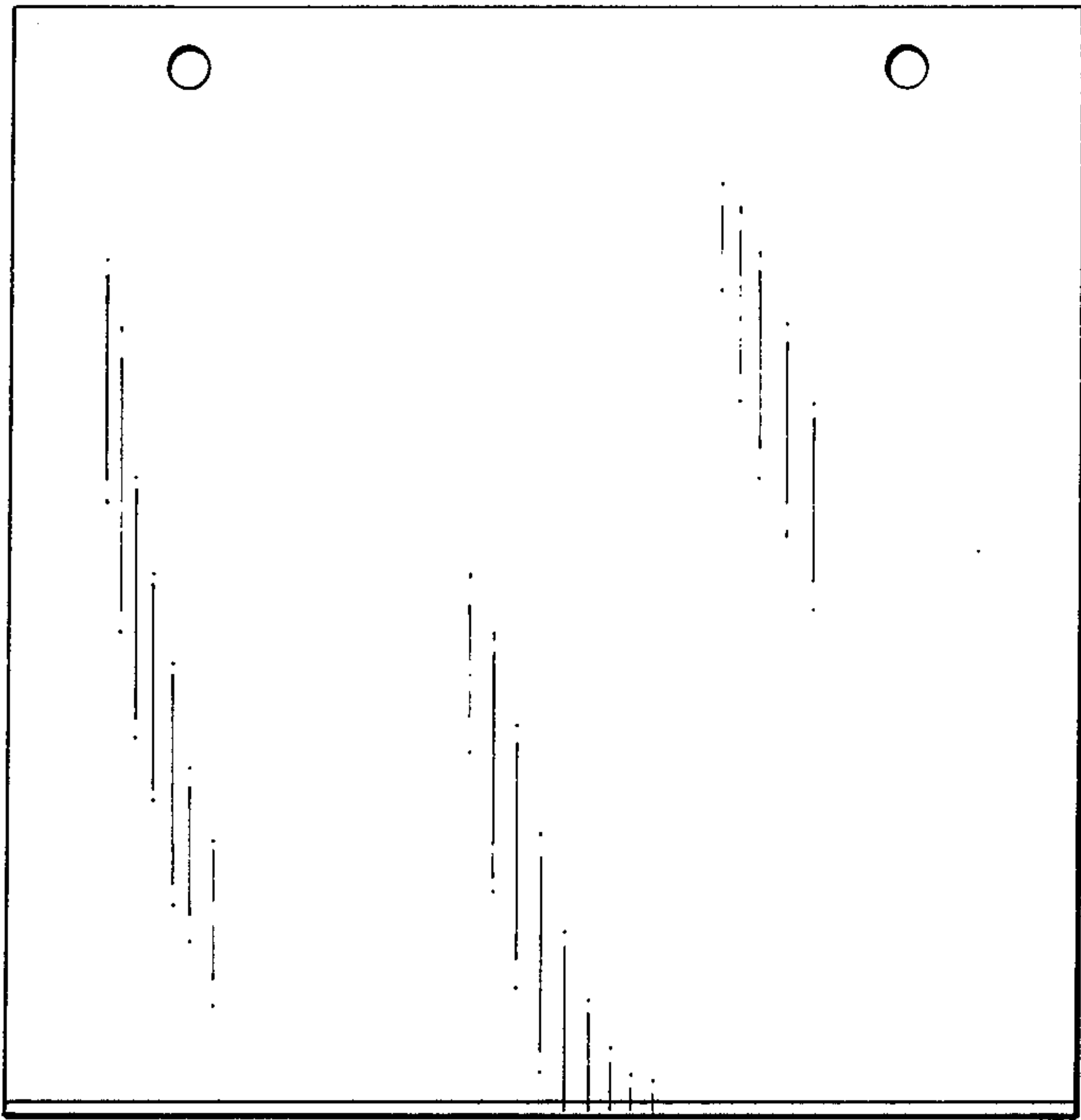


FIG. 3

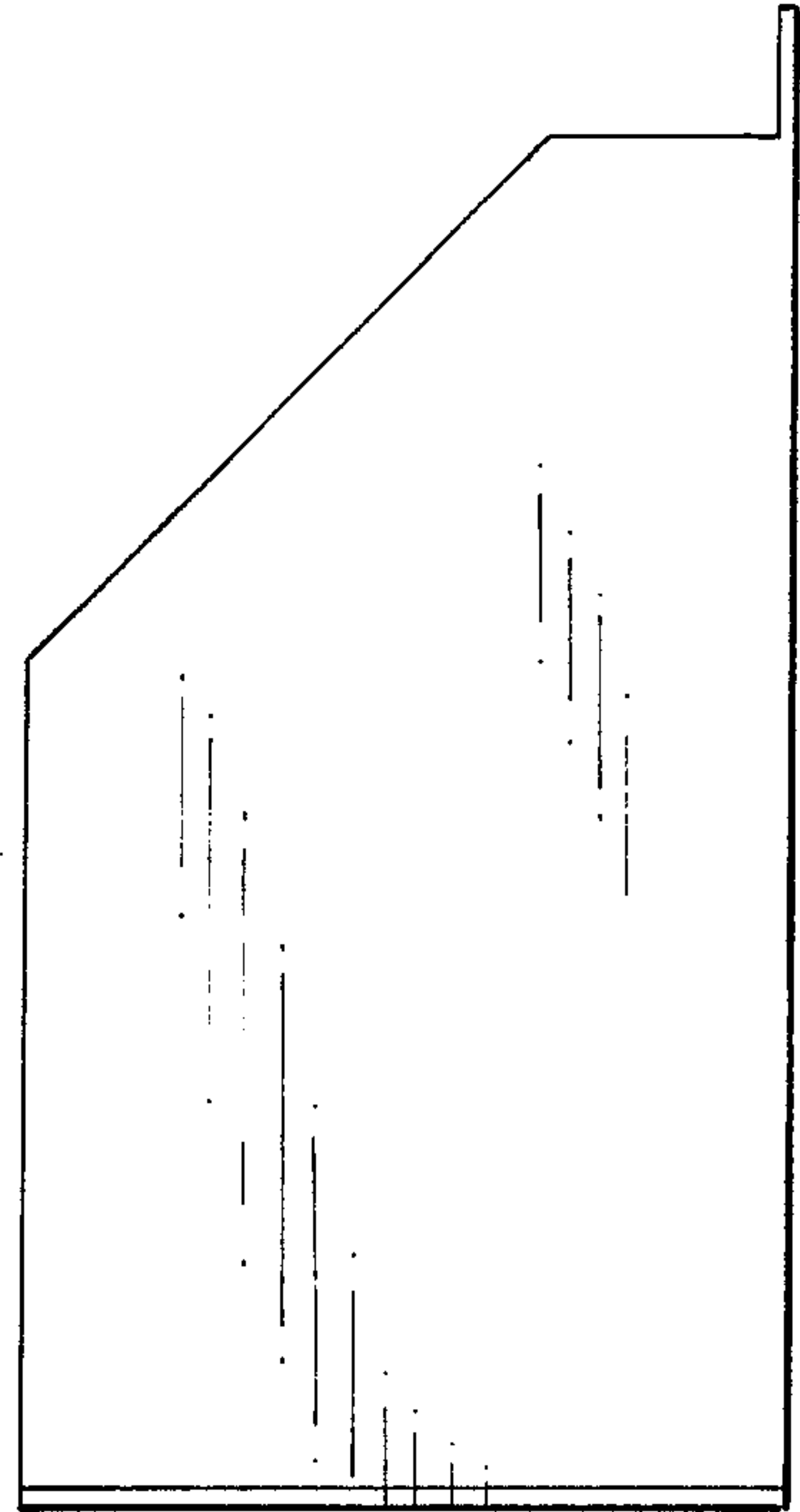


FIG. 4

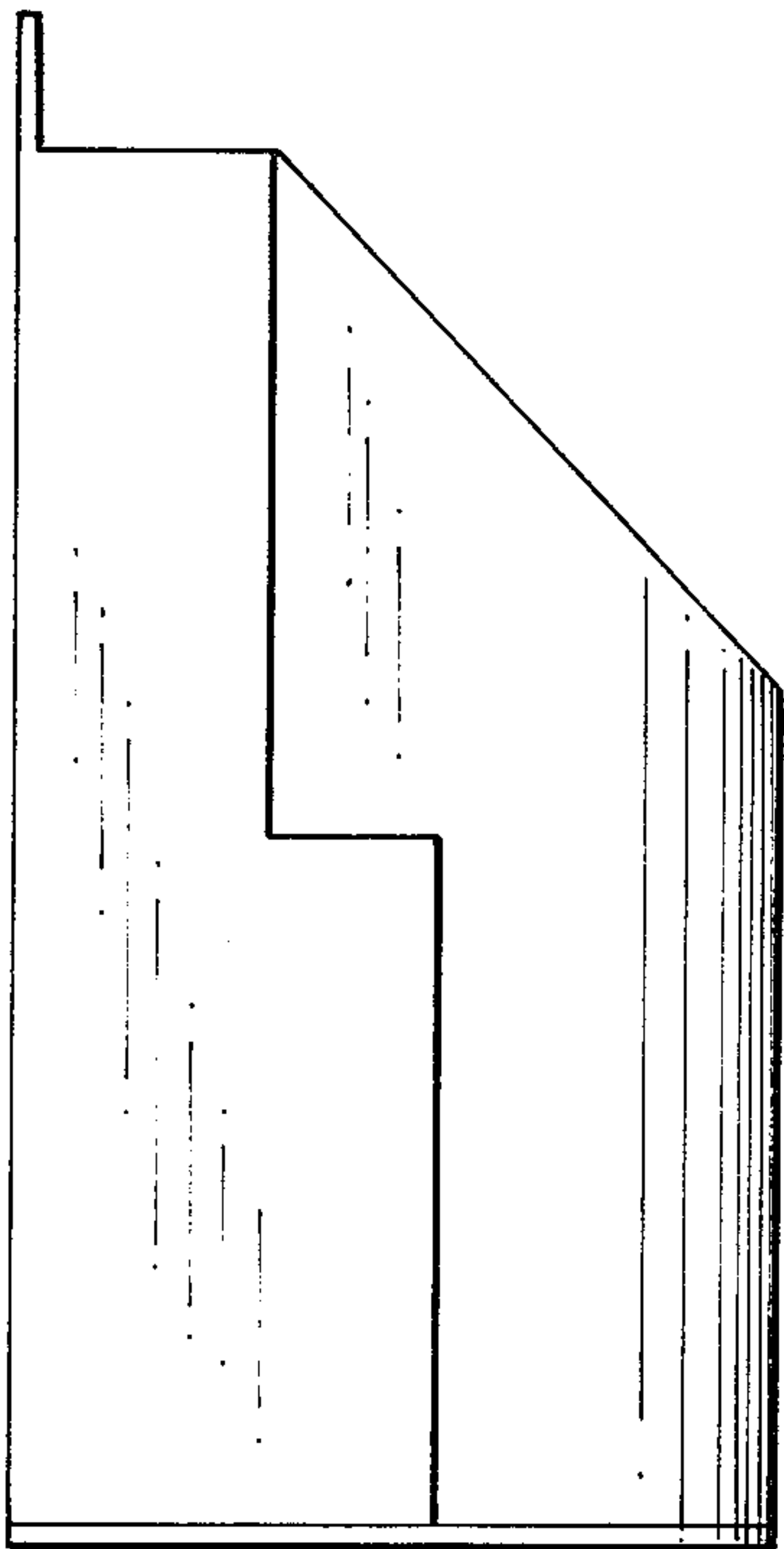


FIG. 5

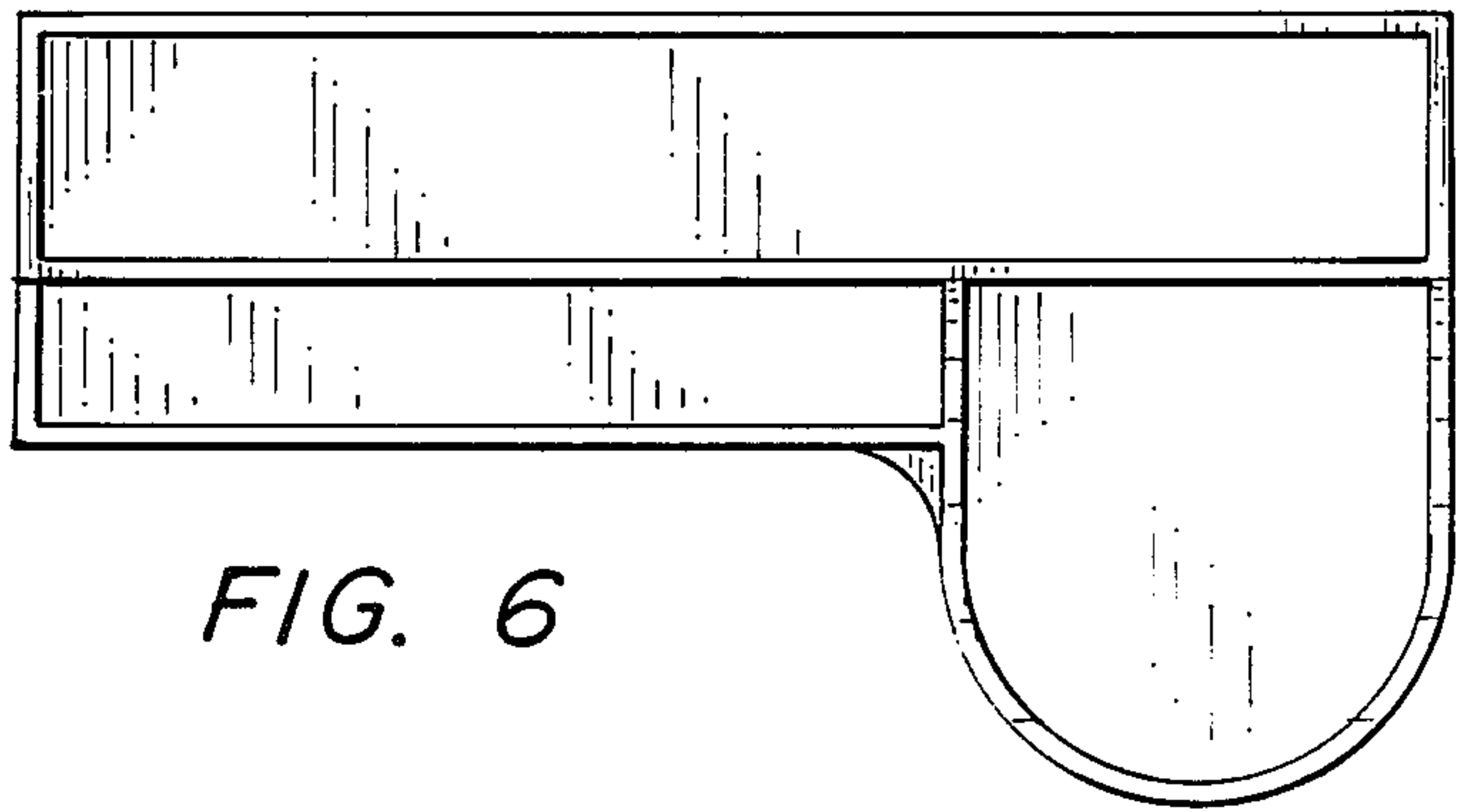


FIG. 6

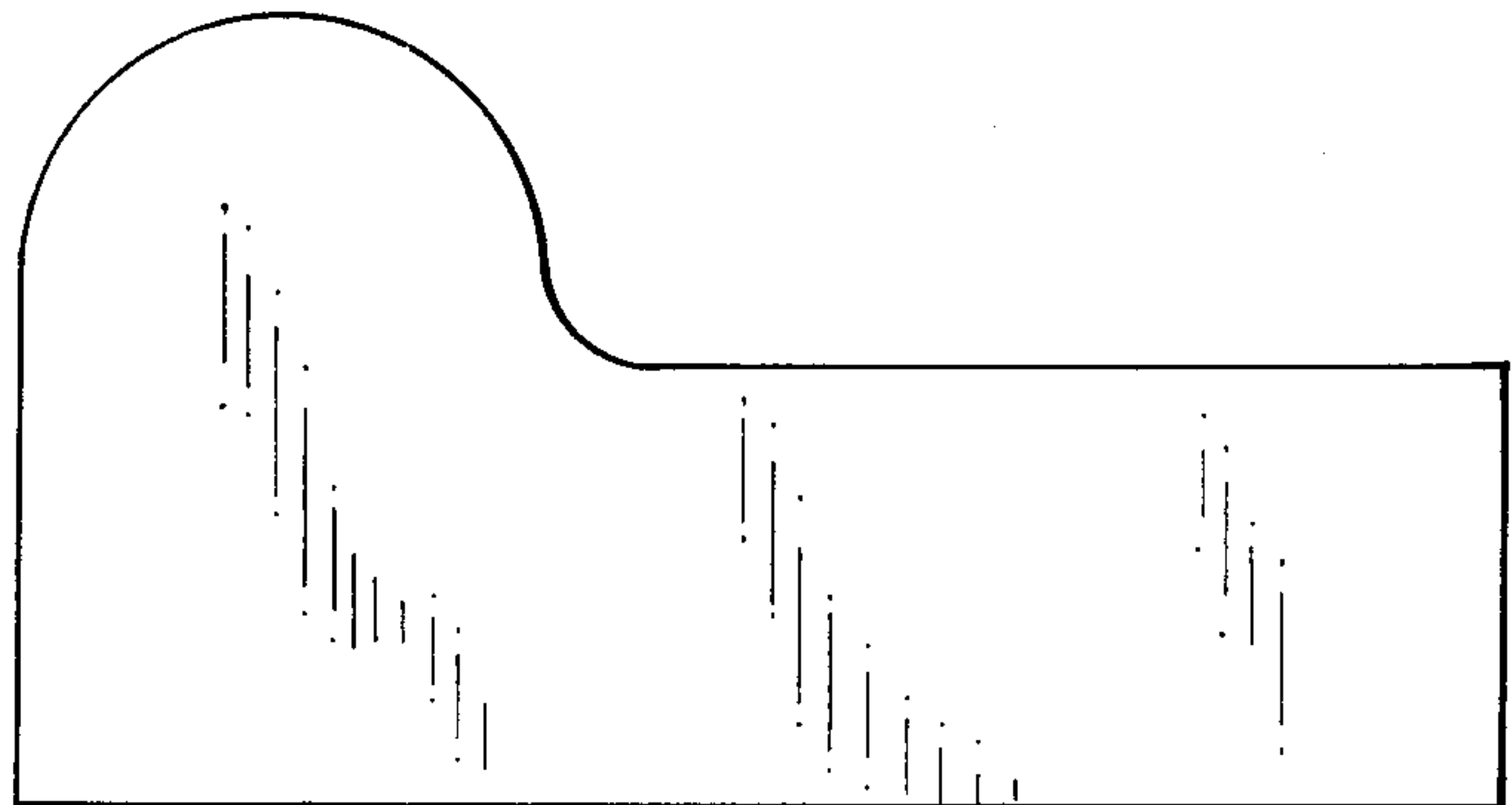


FIG. 7