

[54] COMBINED TOOTHBRUSH AND TOOTHPASTE HOLDER

[76] Inventor: Jose Martinez, 1410 Lemon, Apt. D, Long Beach, Calif. 90813

[**] Term: 14 Years

[21] Appl. No.: 784,835

[22] Filed: Oct. 4, 1985

[52] U.S. Cl. D6/528

[58] Field of Search D6/512, 524, 527, 528, D6/534, 541; 312/198; 211/13, 86-88, 60.1, 65-66, 126, 134; 248/309.1, 311.2, 312, 316.8

[56] References Cited

U.S. PATENT DOCUMENTS

D. 182,825	5/1958	Kimerer	D6/531
D. 201,540	7/1965	DiTorro	D6/528
D. 201,788	8/1965	Robertson	D6/527 X
D. 280,581	9/1985	Altadonna	D6/528
4,008,808	2/1977	Ramsay	248/110 X

Primary Examiner—Wallace R. Burke
Assistant Examiner—Brian N. Vinson
Attorney, Agent, or Firm—Charles H. Thomas

[57] CLAIM

The ornamental design for a combined toothbrush and toothpaste holder, substantially as shown and described.

DESCRIPTION

FIG. 1 is a top front perspective view of a combined toothbrush and toothpaste holder showing my new design, with the toothbrush holder portion door shown in an open position and the broken-line showing of a toothbrush being for illustrative purposes only and forming no part of the claimed design;

FIG. 2 is a front elevational view thereof;

FIG. 3 is a left side elevational view thereof, with both doors shown in open positions and the right side being a mirror image;

FIG. 4 is a top plan view thereof; and

FIG. 5 is a bottom plan view thereof.

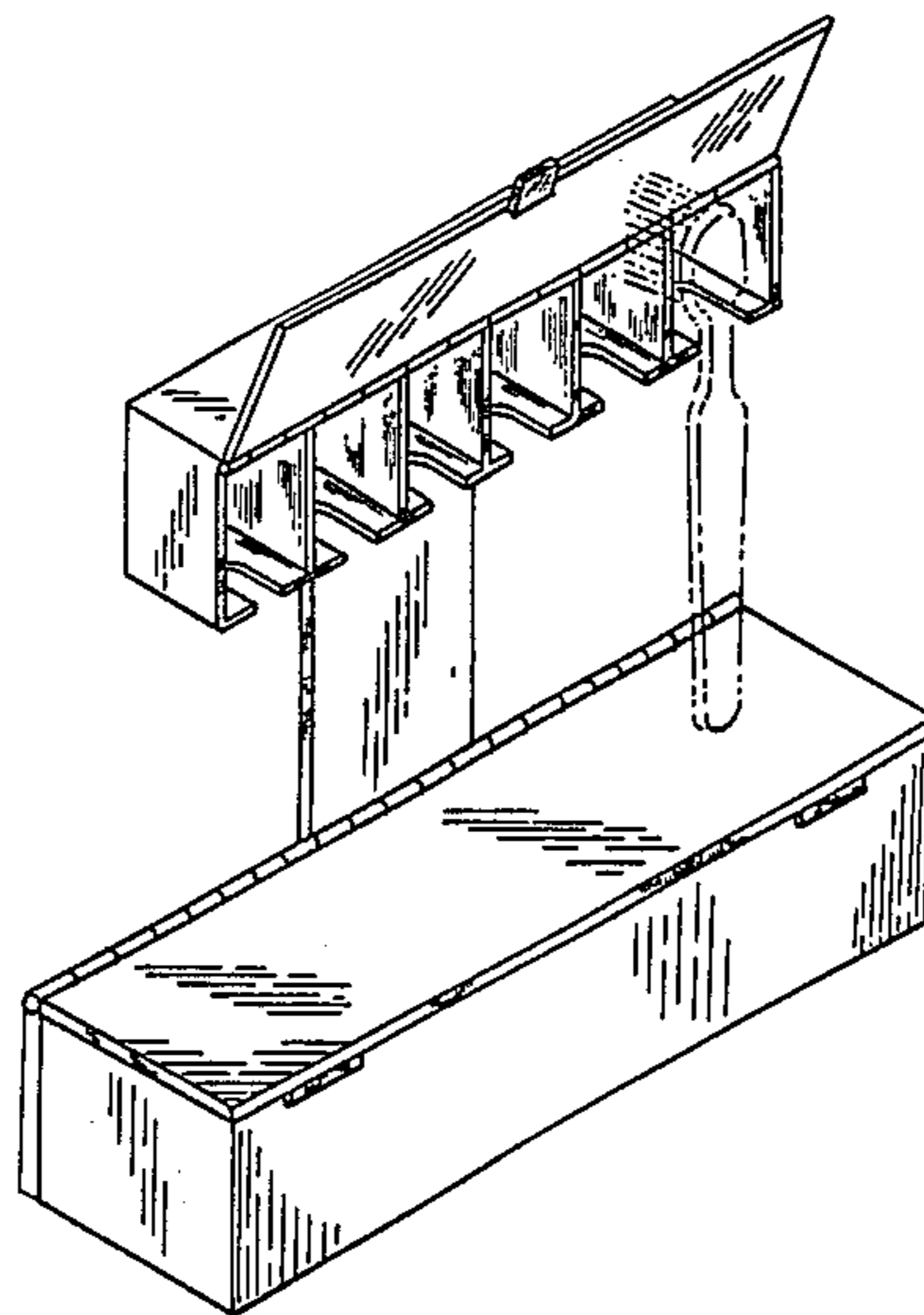


FIG. 3

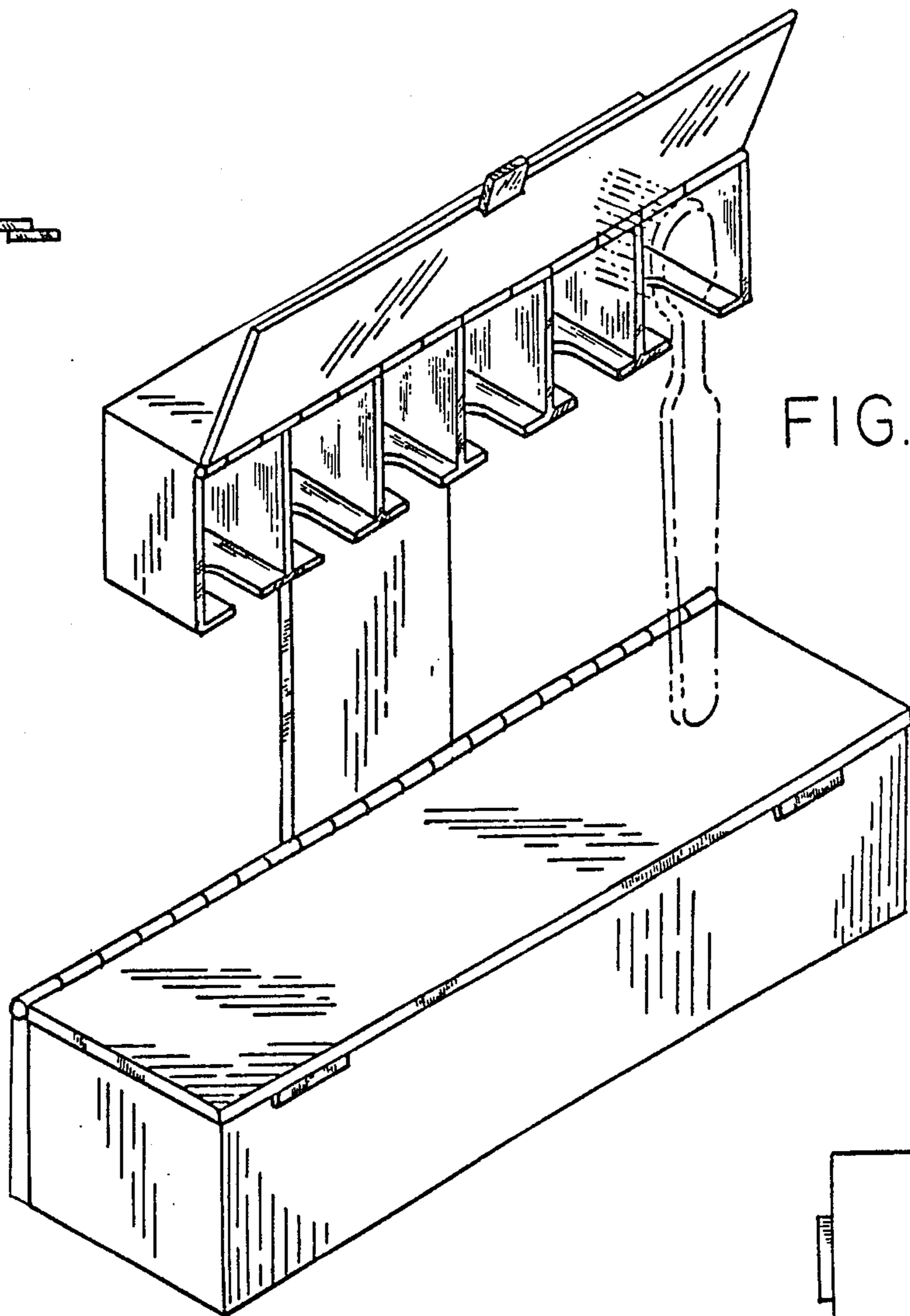
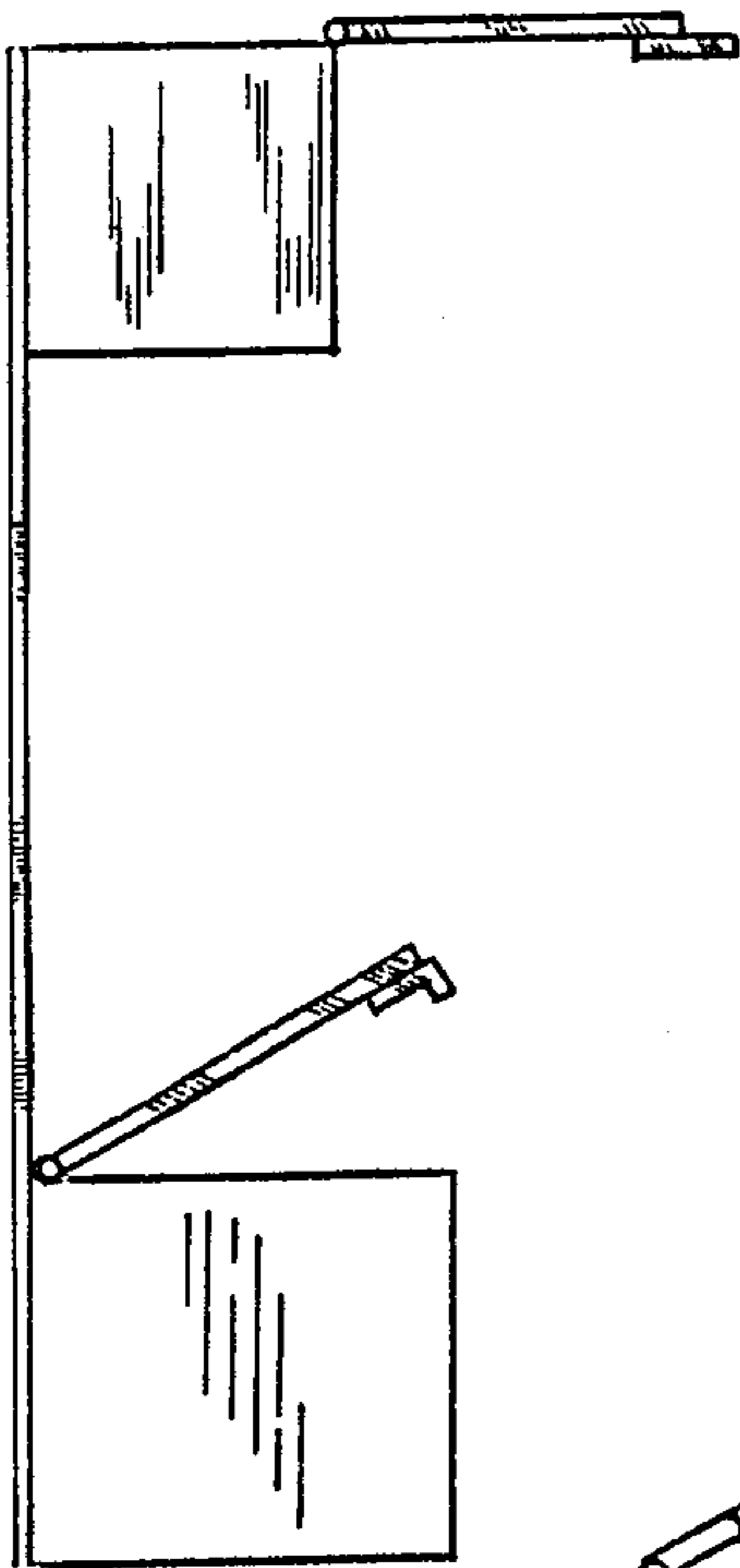


FIG. 1

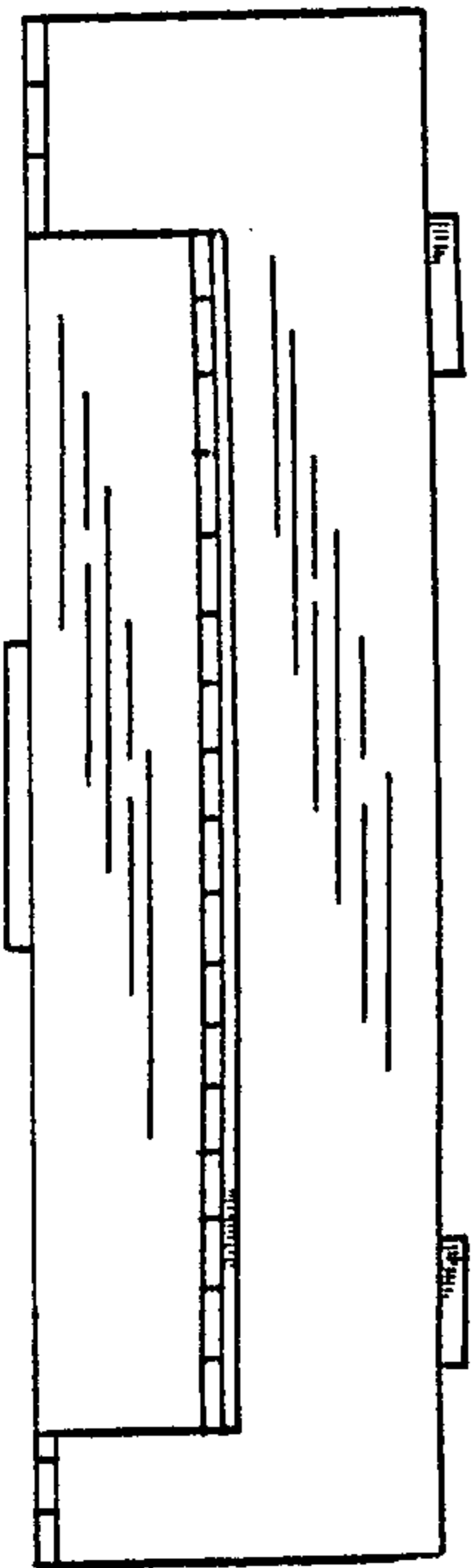


FIG. 4

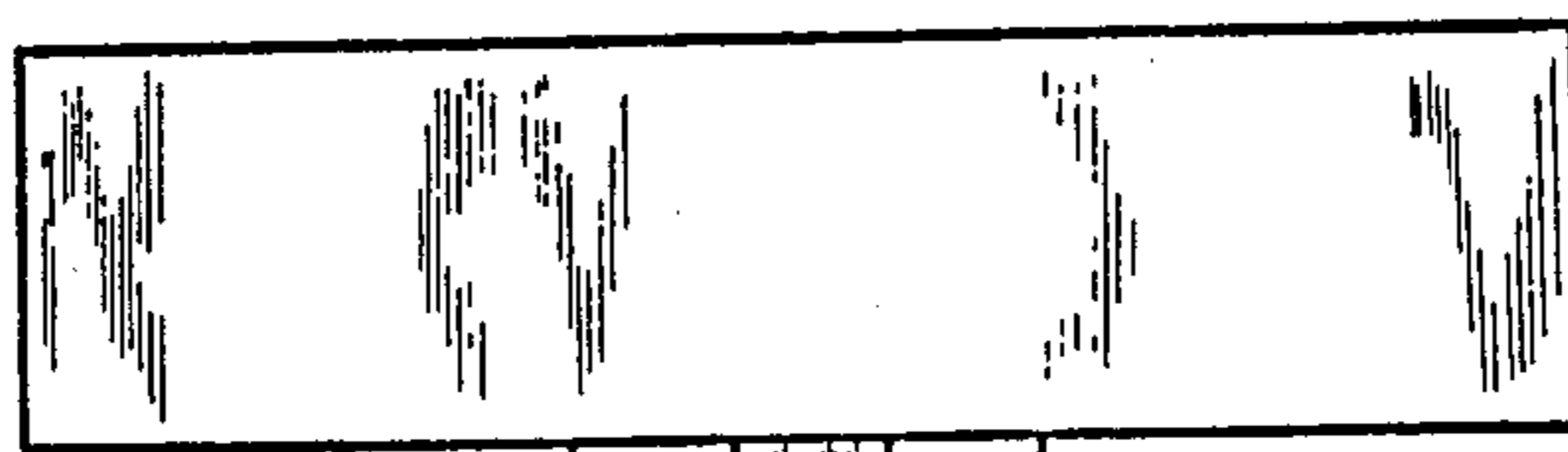


FIG. 2

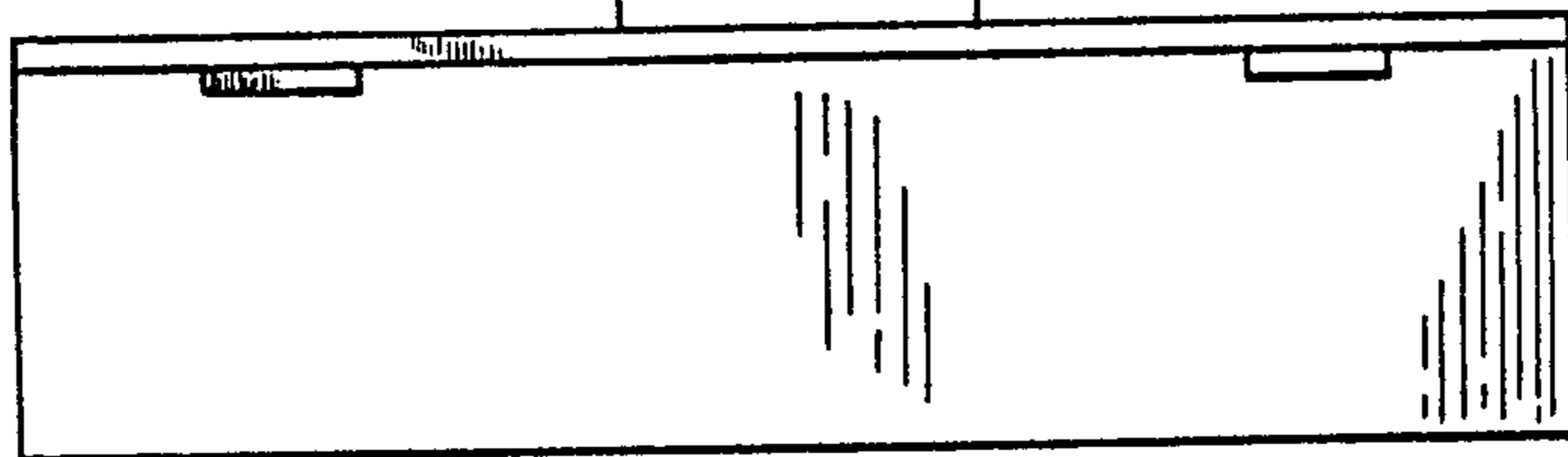


FIG. 5

