

[54] DISPLAY TABLE FOR SERVING PIZZA AND THE LIKE

[75] Inventor: John C. Zimmer, Dayton, Ohio

[73] Assignee: Cassano's Inc., Dayton, Ohio

[**] Term: 14 Years

[21] Appl. No.: 792,494

[22] Filed: Oct. 28, 1985

[52] U.S. Cl. D6/473; D19/92

[58] Field of Search D6/473, 477, 479; D7/388, 397, 402, 403; D19/92; 211/11, 13

[56] References Cited

U.S. PATENT DOCUMENTS

- D. 116,600 9/1939 Thorn et al. D19/92
- D. 122,011 8/1940 Erickson D6/473

- D. 133,723 9/1942 May D6/473
- D. 137,369 2/1944 Adams D6/473
- D. 143,125 12/1945 Brinkema D6/473 X

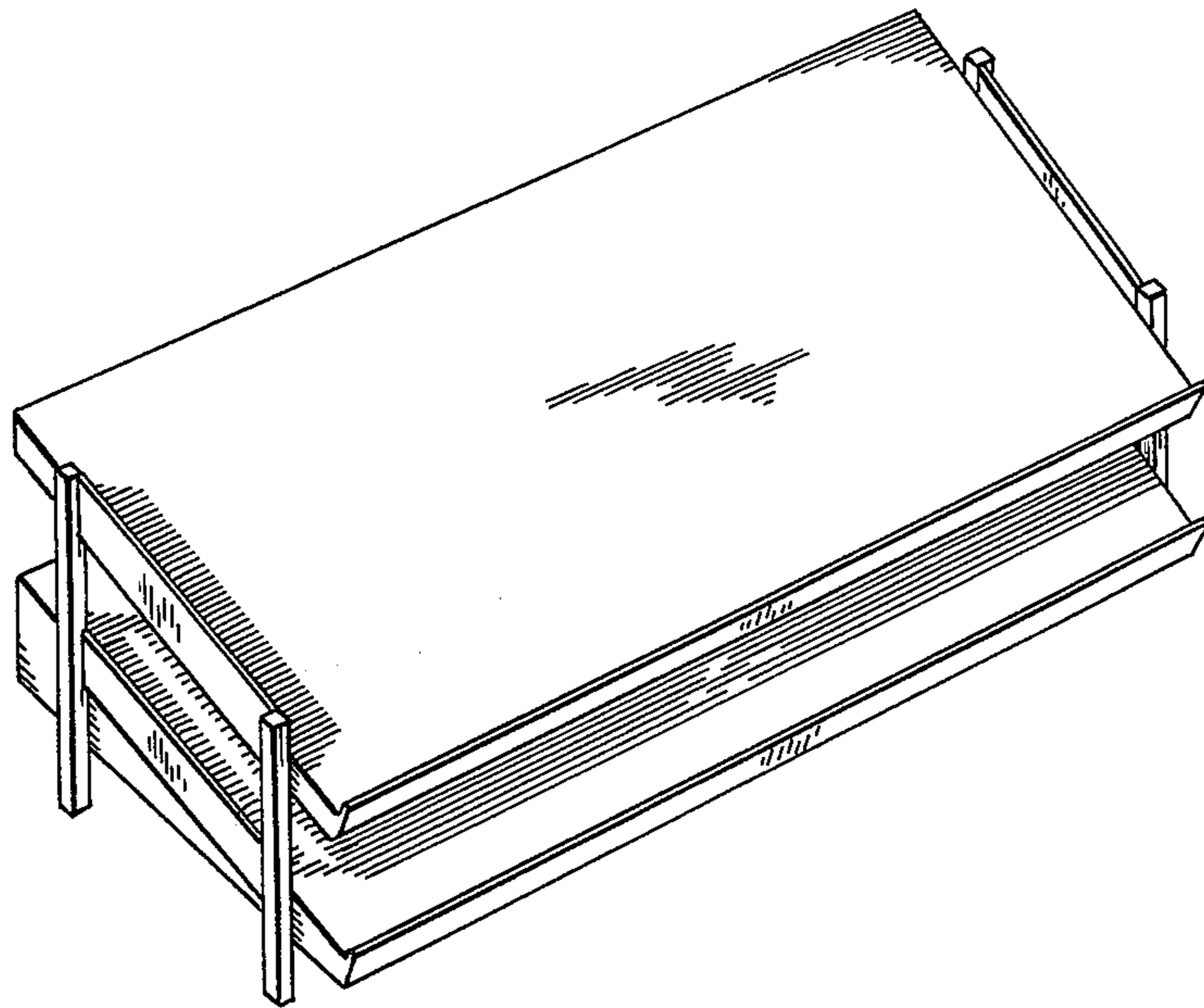
Primary Examiner—Carmen H. Vales
Attorney, Agent, or Firm—Jacox & Meckstroth

[57] CLAIM

The ornamental design of a display table for serving pizza and the like, as shown and described.

DESCRIPTION

FIG. 1 is a perspective view of a display table for serving pizza and the like showing my new design; FIG. 2 is an end elevational view, the opposite end being a mirror image thereof; FIG. 3 is a front elevational view thereof; FIG. 4 is a rear elevational view thereof; and FIG. 5 is a top plan view thereof.



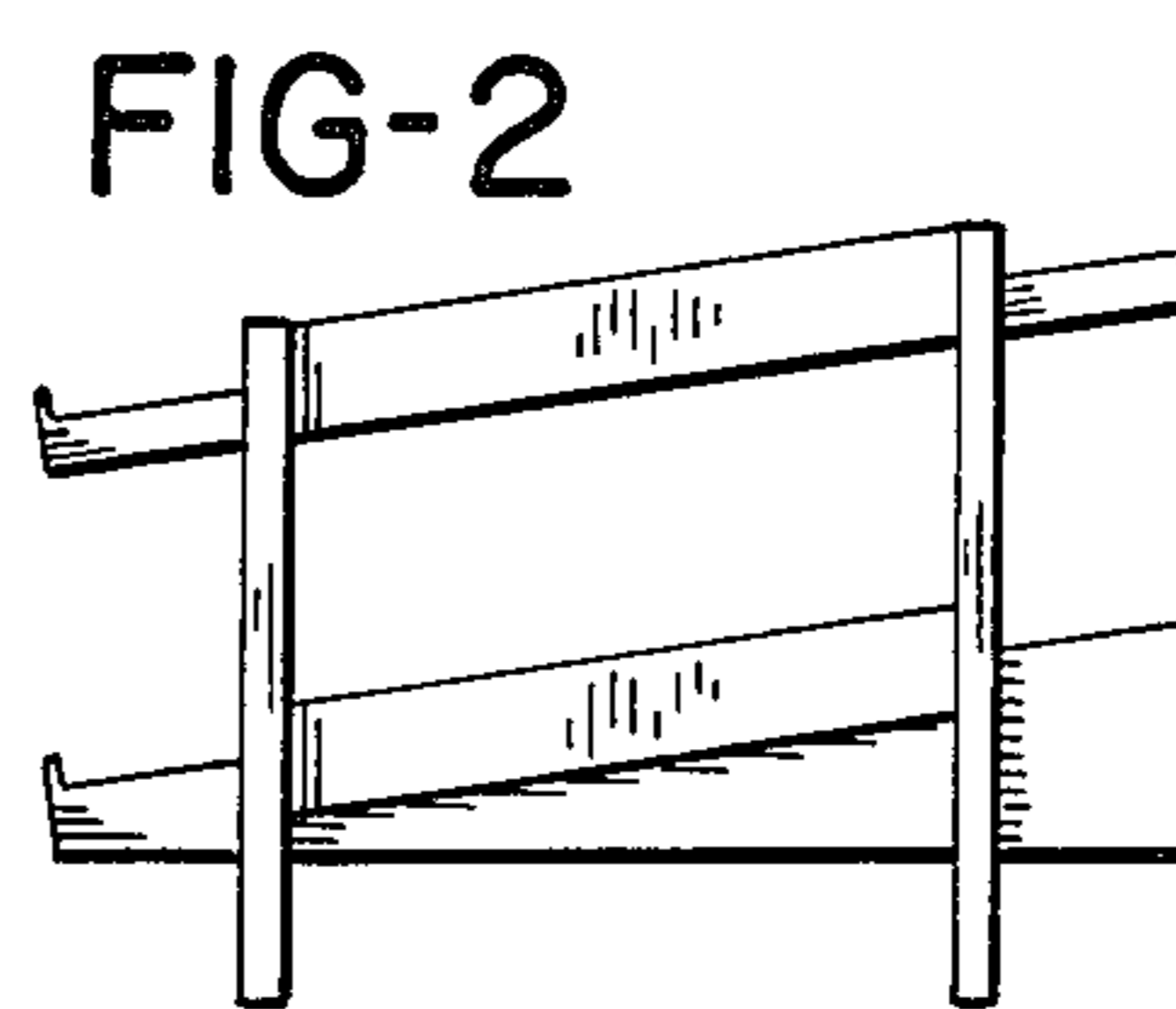
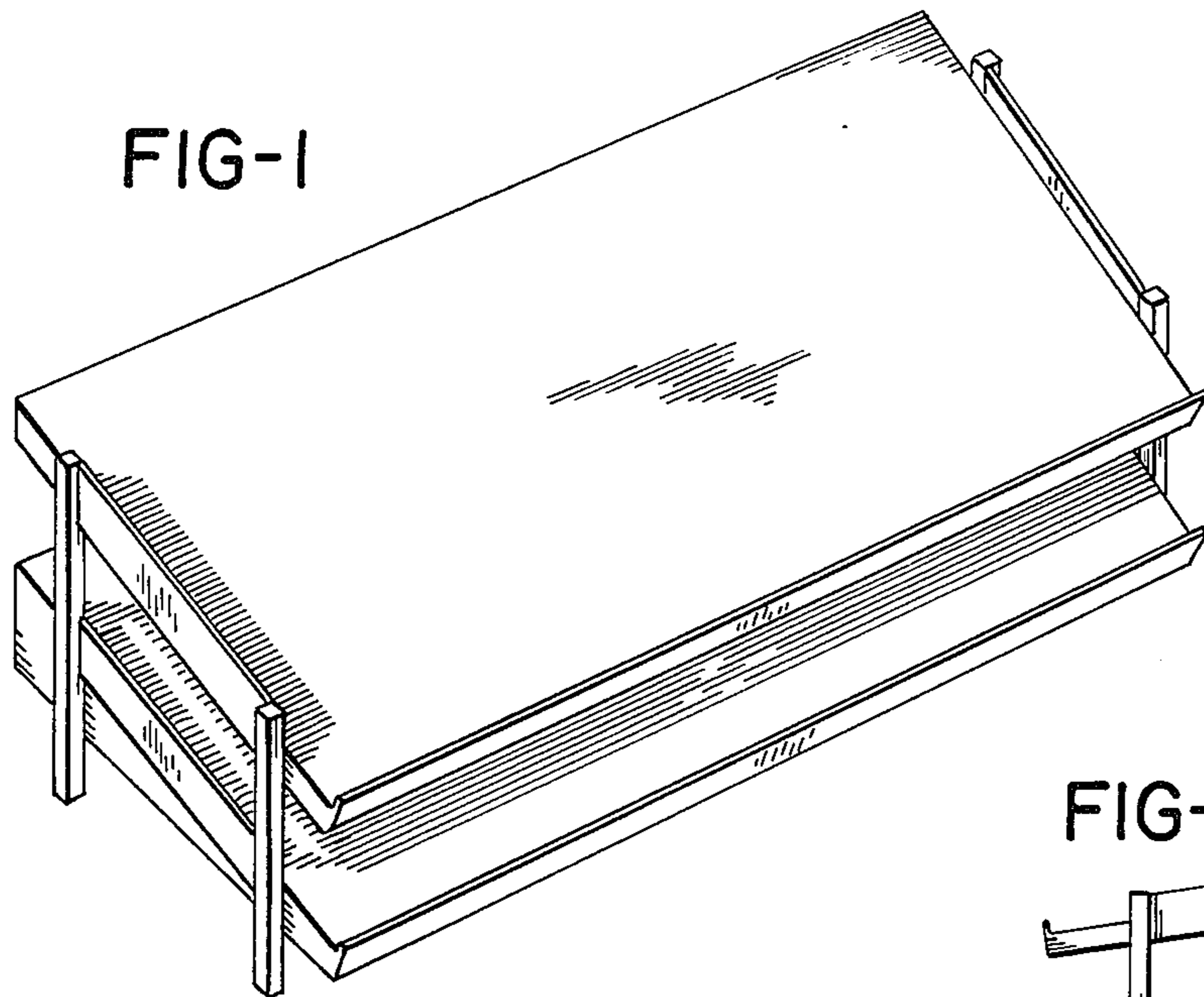


FIG-3

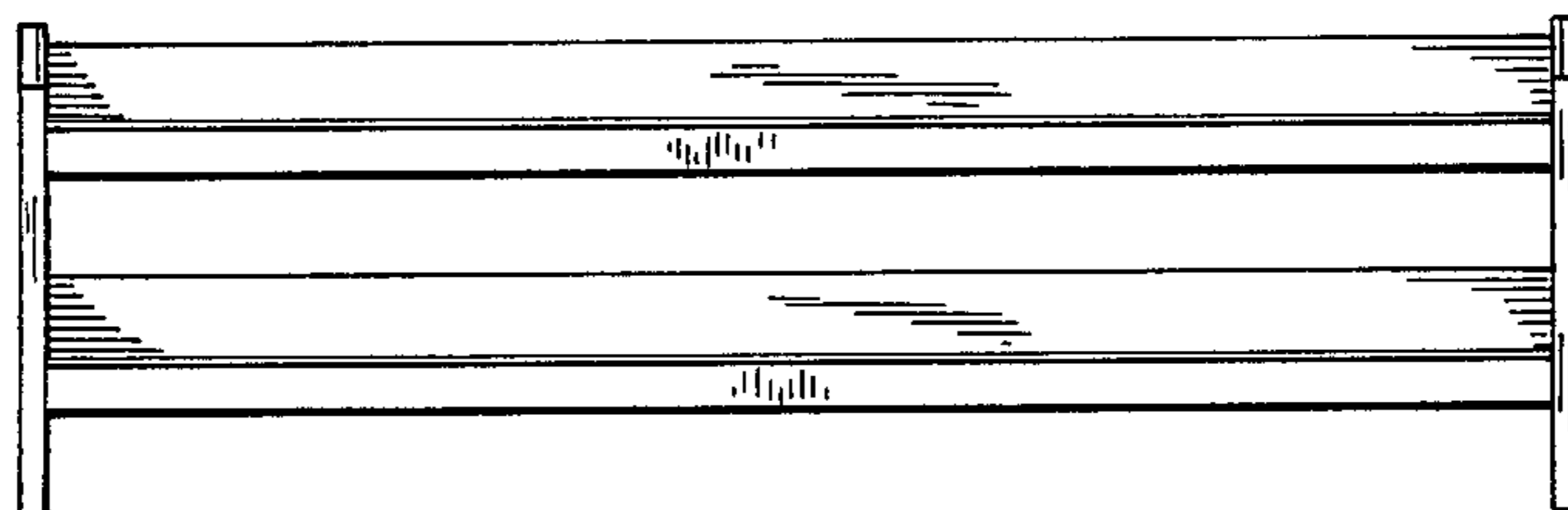


FIG-4

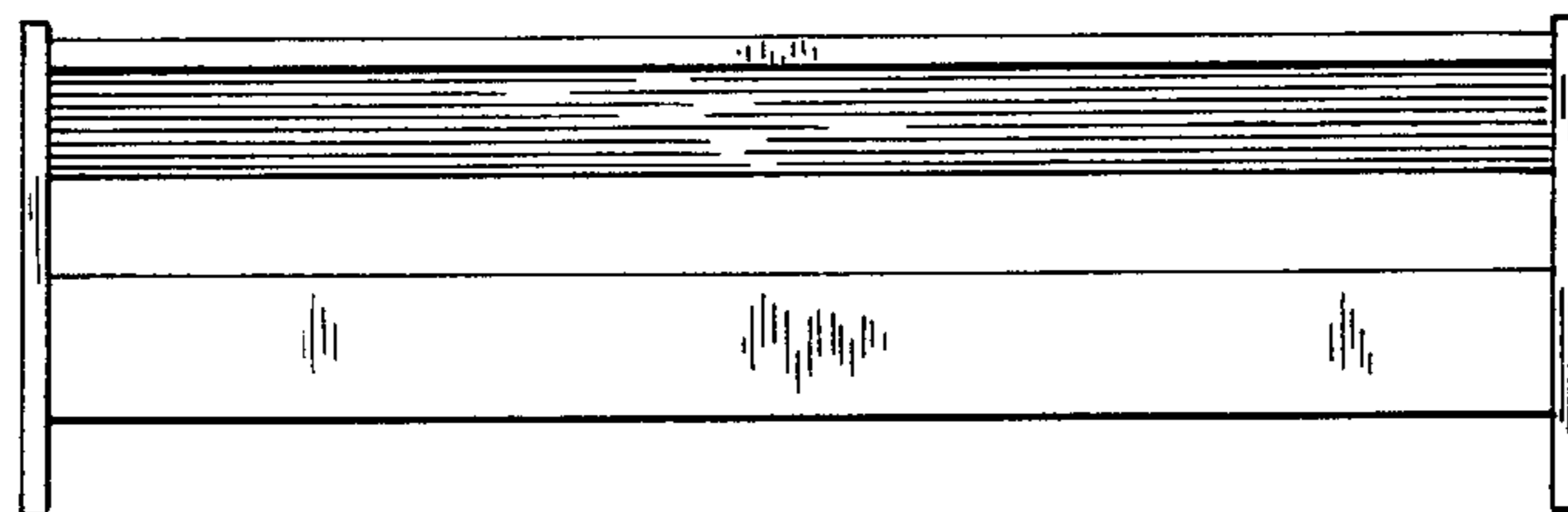


FIG-5

