

[54] CHAIR

[75] Inventor: Claus K. Uredat,
Lindern/Oldenburg, Fed. Rep. of
Germany

[73] Assignee: Cirkel B. V., Zwanenburg,
Netherlands

[**] Term: 14 Years

[21] Appl. No.: 874,373

[22] Filed: Jun. 13, 1986

[30] Foreign Application Priority Data

Dec. 16, 1985 [XB] Benelux 60652-00
[52] U.S. Cl. D6/366
[58] Field of Search D6/334, 367, 368, 364,
D6/365, 366, 379; 248/188.7; 297/325, 344,
345, 285, 445, 457, 366

[56] References Cited

U.S. PATENT DOCUMENTS

D. 269,743 7/1983 Müller-Deisig D6/366

D. 281,471 11/1985 Sauter D6/381 X
D. 282,510 2/1986 Diffrient D6/366
D. 291,509 8/1987 Sapper D6/366
D. 292,351 10/1987 Brossard et al. D6/366
4,557,521 12/1985 Lange 297/285
4,603,905 8/1986 Stucki 297/366 X

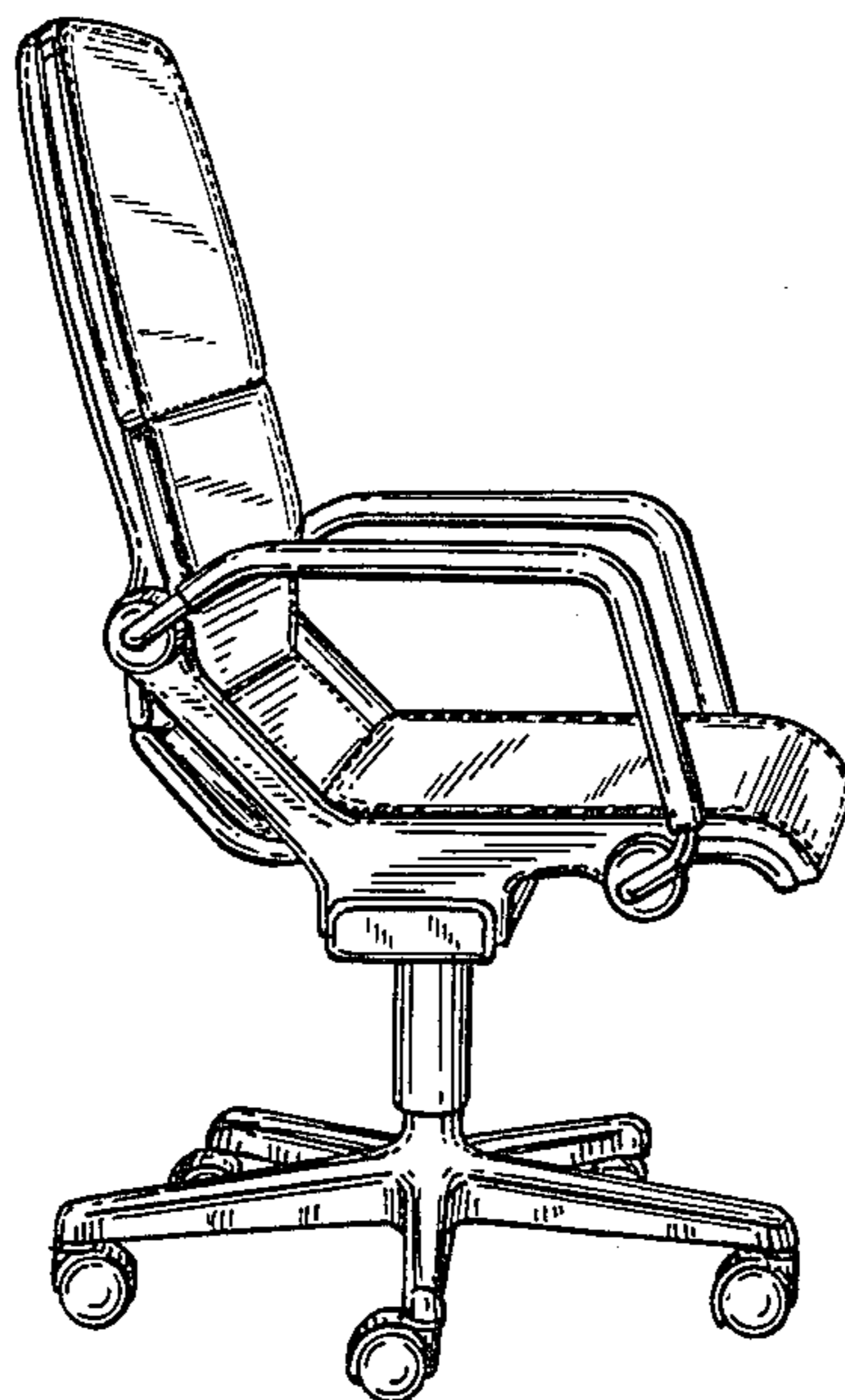
Primary Examiner—Bruce W. Dunkins
Attorney, Agent, or Firm—Michael N. Meller

[57] CLAIM

The ornamental design for a chair, as shown and described.

DESCRIPTION

FIG. 1 is a top plan view of a chair showing my design;
FIG. 2 is a front elevational view;
FIG. 3 is a side elevational view, the opposite side being
a mirror image thereof;
FIG. 4 is a rear elevational view;
FIG. 5 is a bottom plan view;
FIG. 6 is a side perspective view on a reduced scale; and
FIG. 7 is a rear perspective view thereof taken from
below and on a reduced scale.



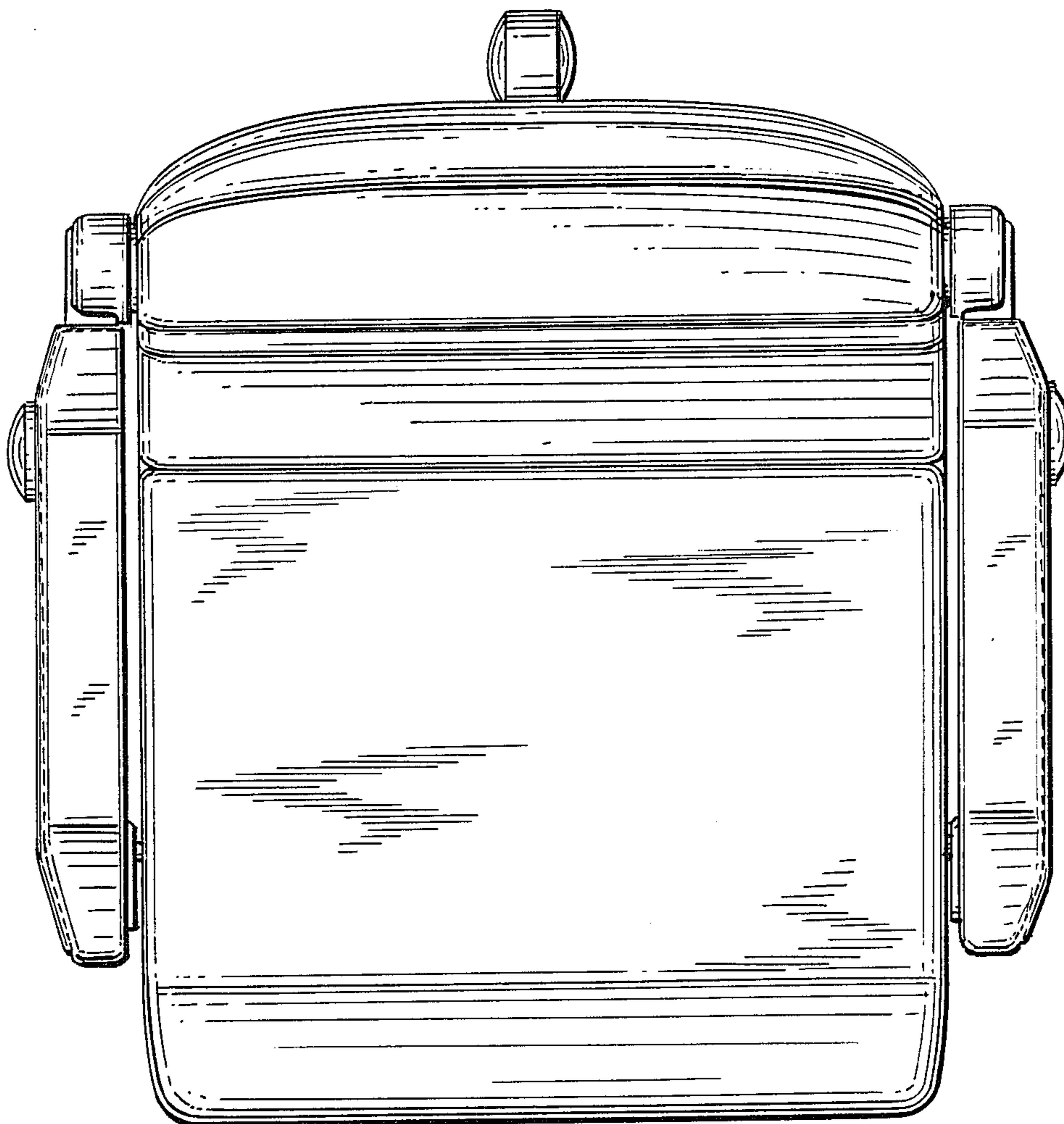


FIG. 1

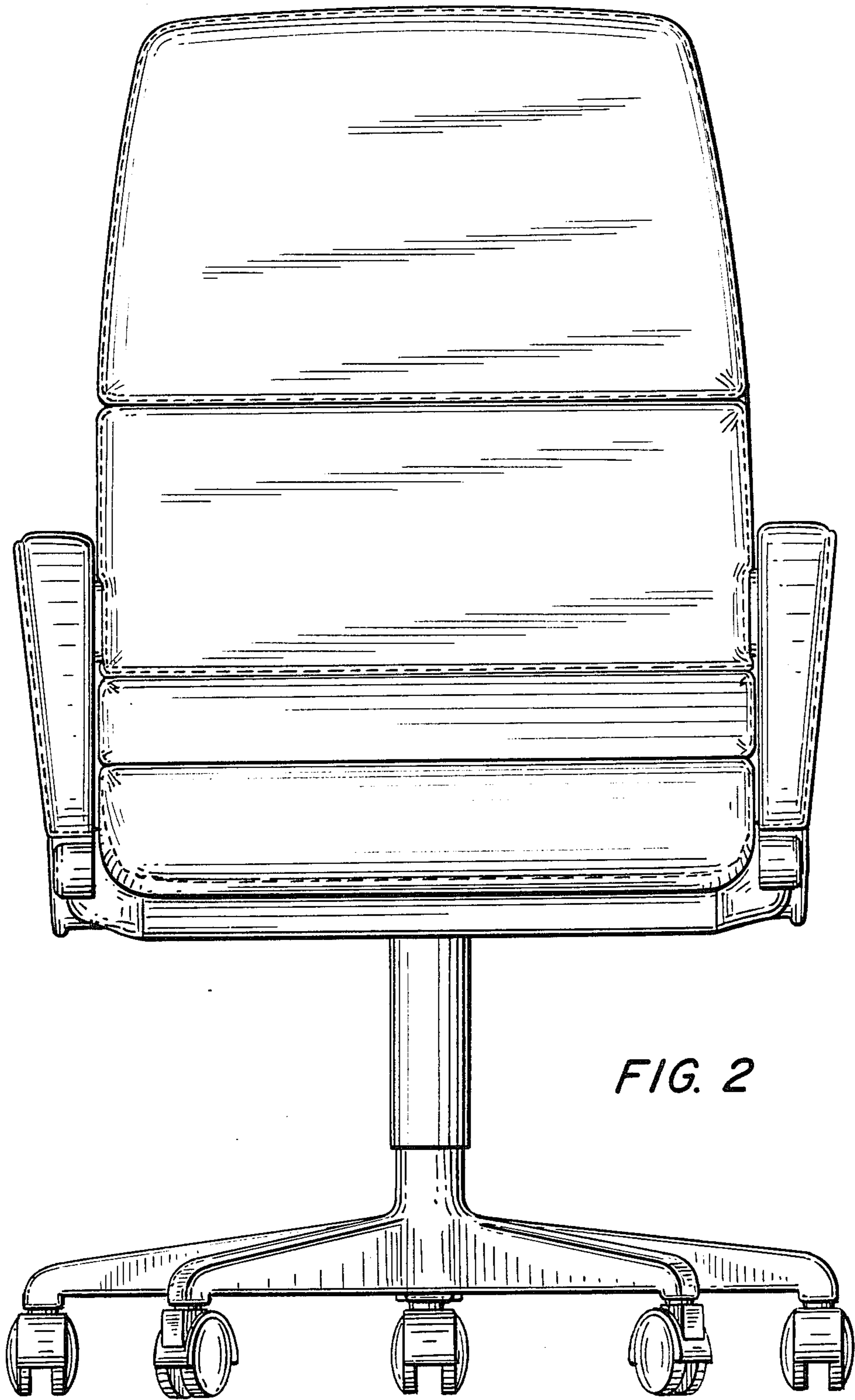
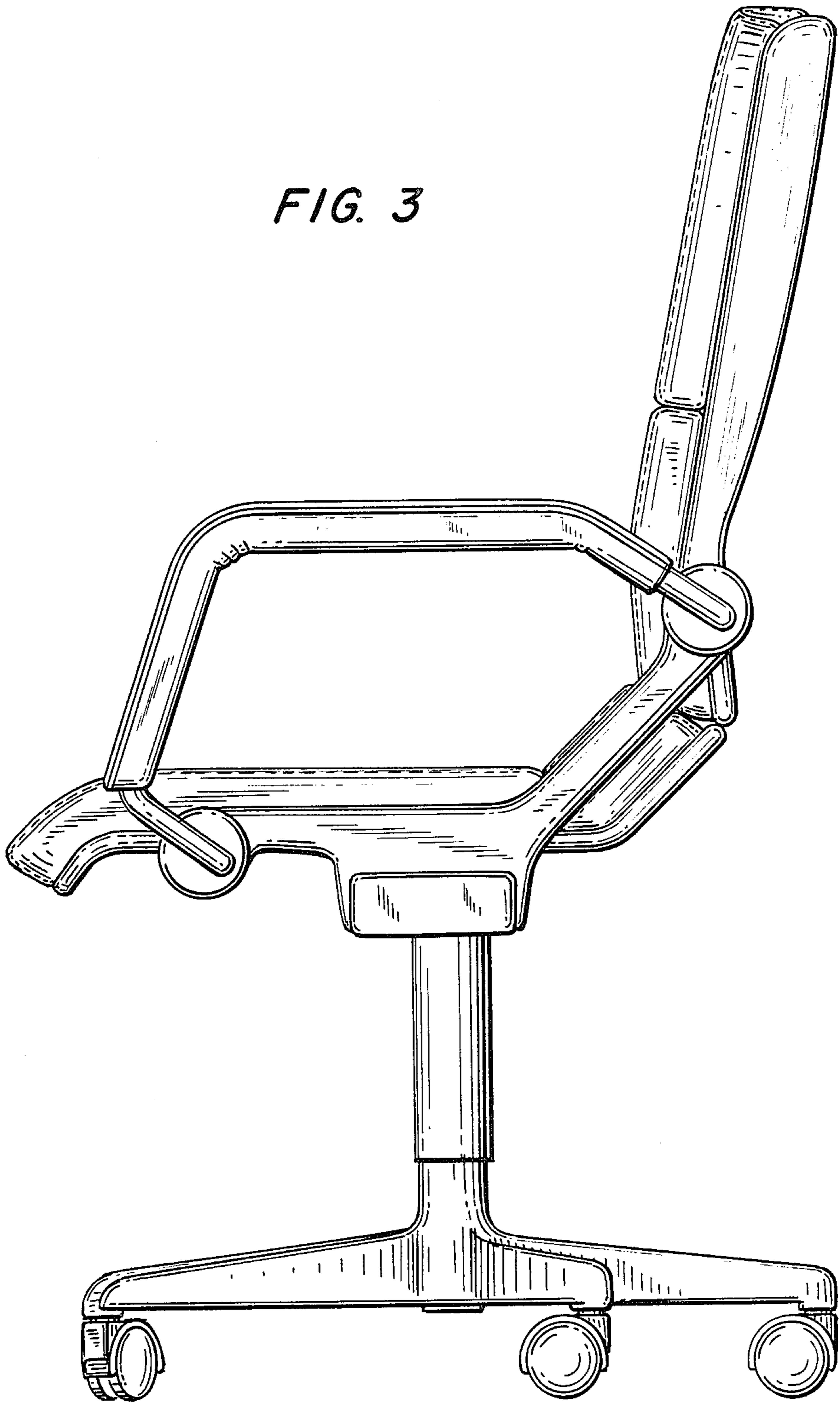


FIG. 2

FIG. 3



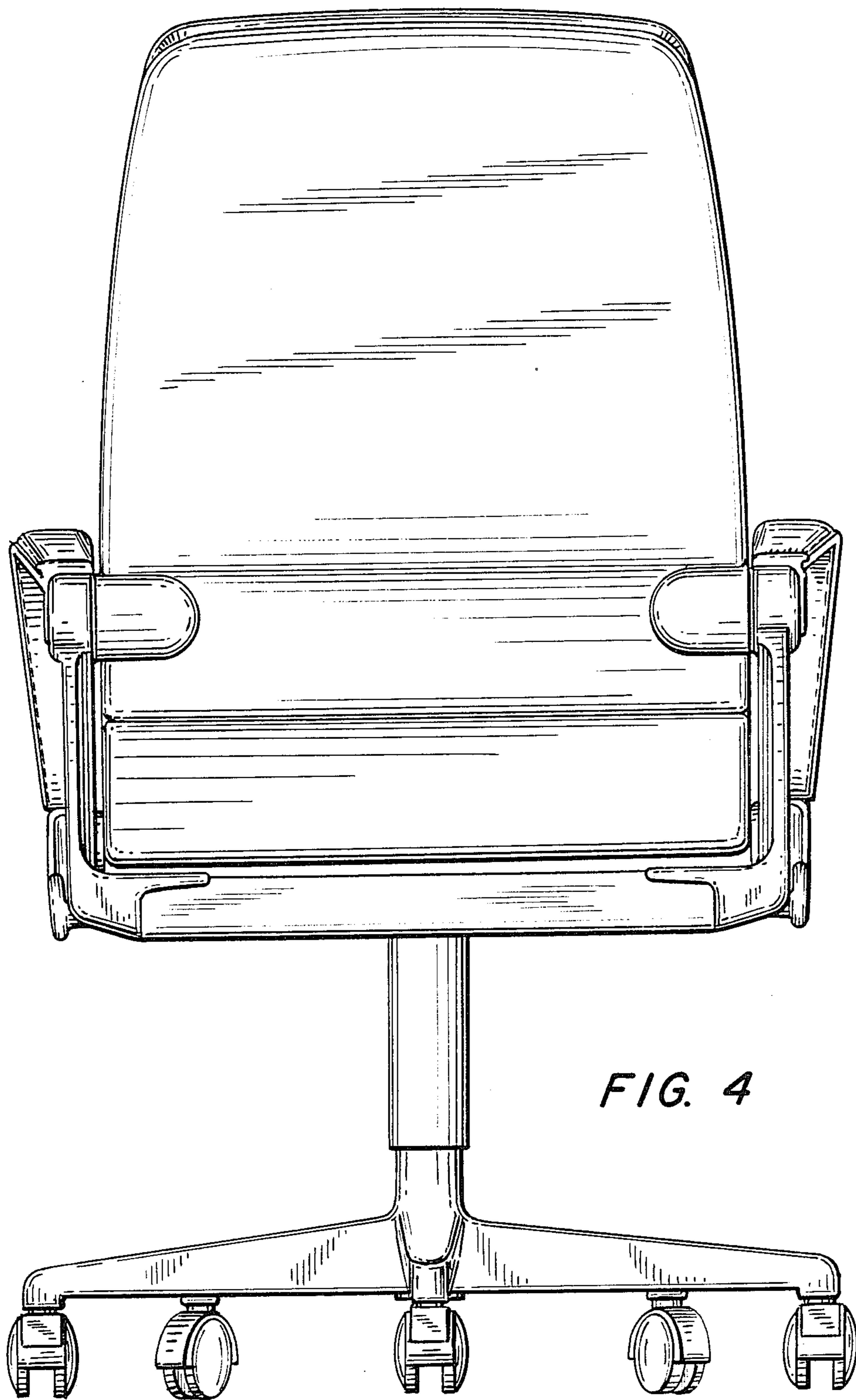


FIG. 4

FIG. 5

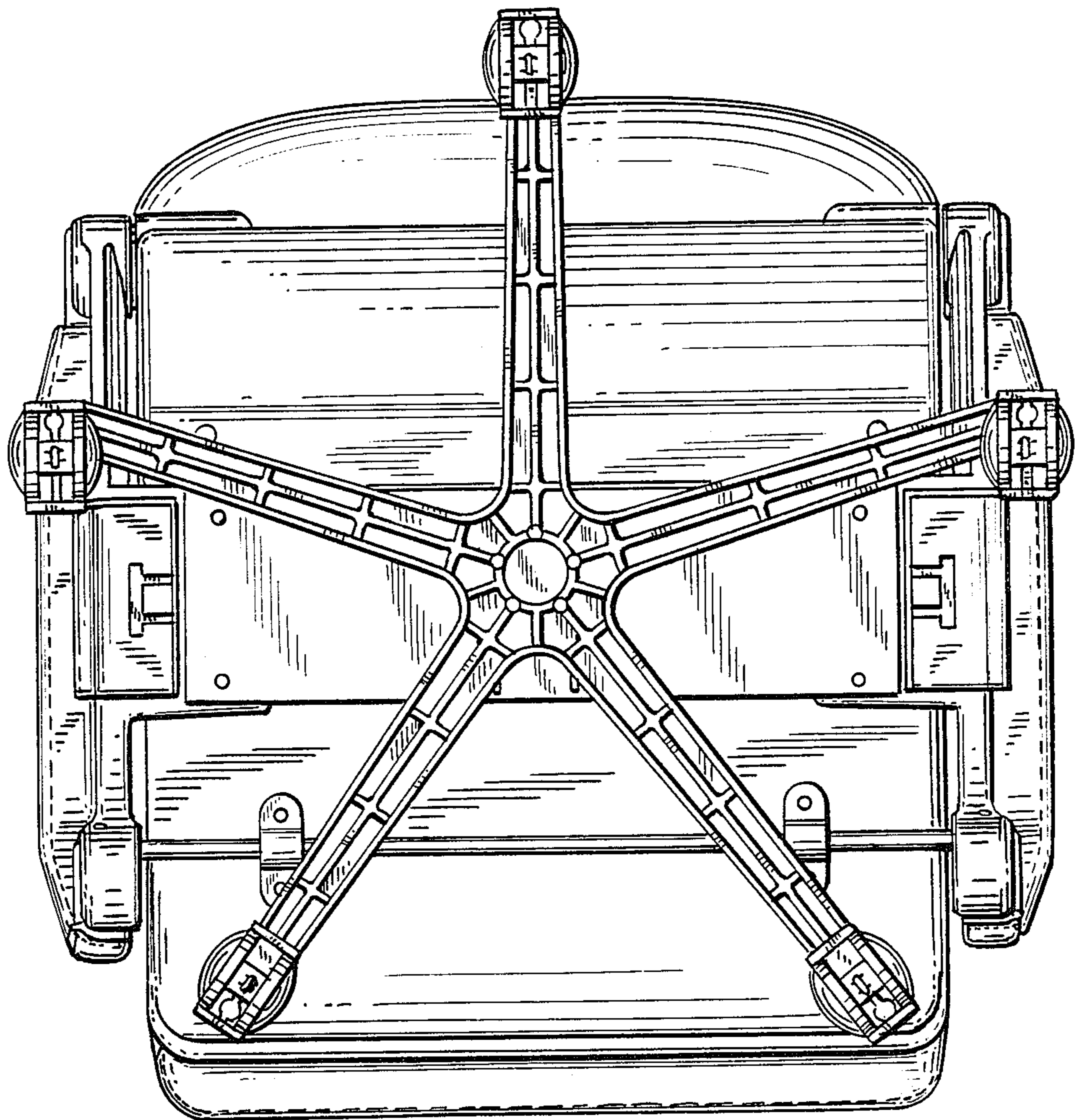


FIG. 7

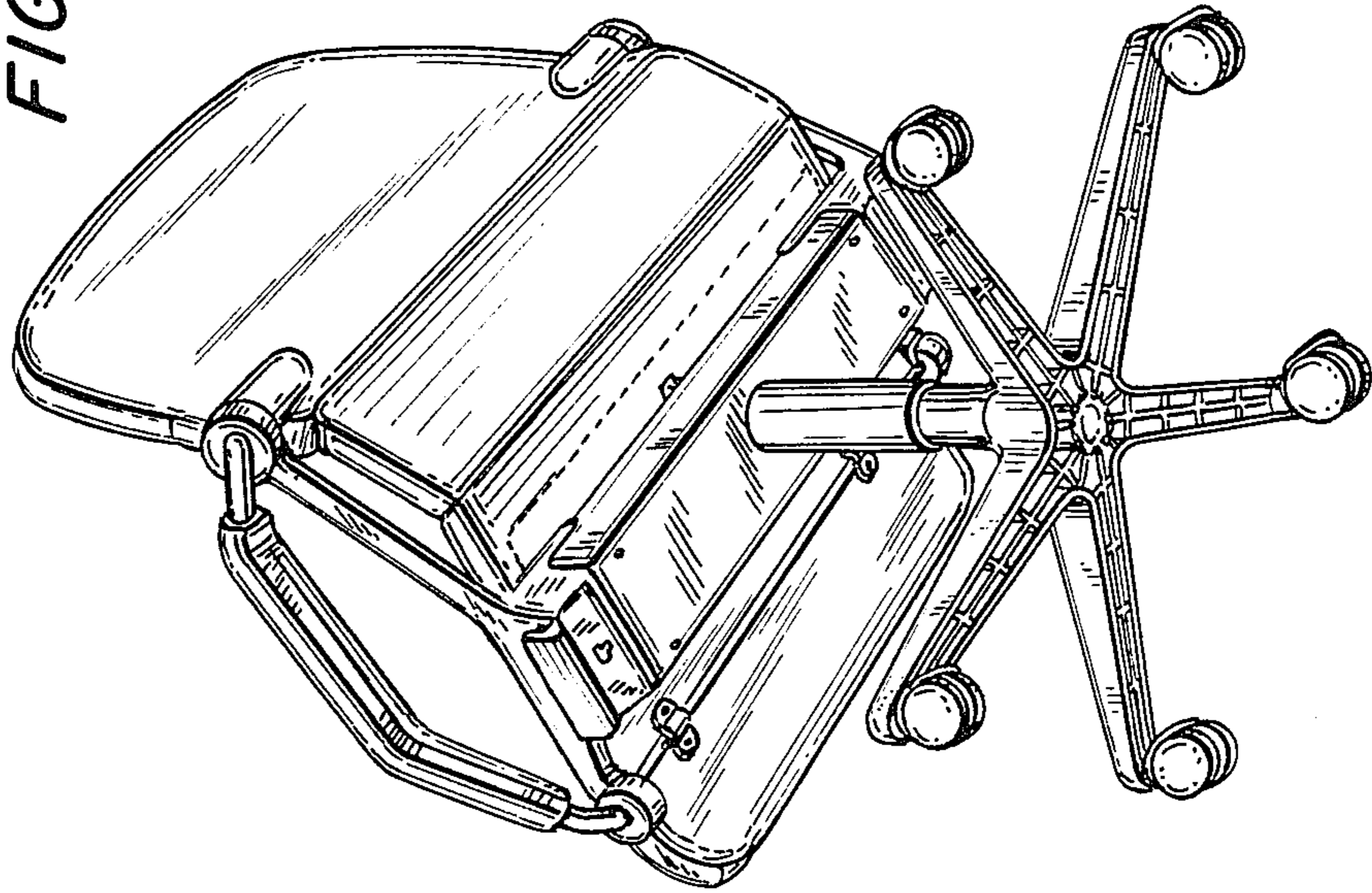


FIG. 6

