

[54] COMBINED HIGH CHAIR, STROLLER AND SEAT

Primary Examiner—Bruce W. Dunkins  
Attorney, Agent, or Firm—Terry M. Gernstein

[76] Inventor: Tim W. Taylor, Sr., 7200 Warren Rd.,  
Linden, Calif. 95236

[57] CLAIM

The ornamental design for a combined high chair,  
stroller and seat, as shown and described.

[\*\*] Term: 14 Years

DESCRIPTION

[21] Appl. No.: 788,714

[22] Filed: Oct. 17, 1985

[52] U.S. Cl. .... D6/335; D6/333;  
D6/338; D6/339; D12/129

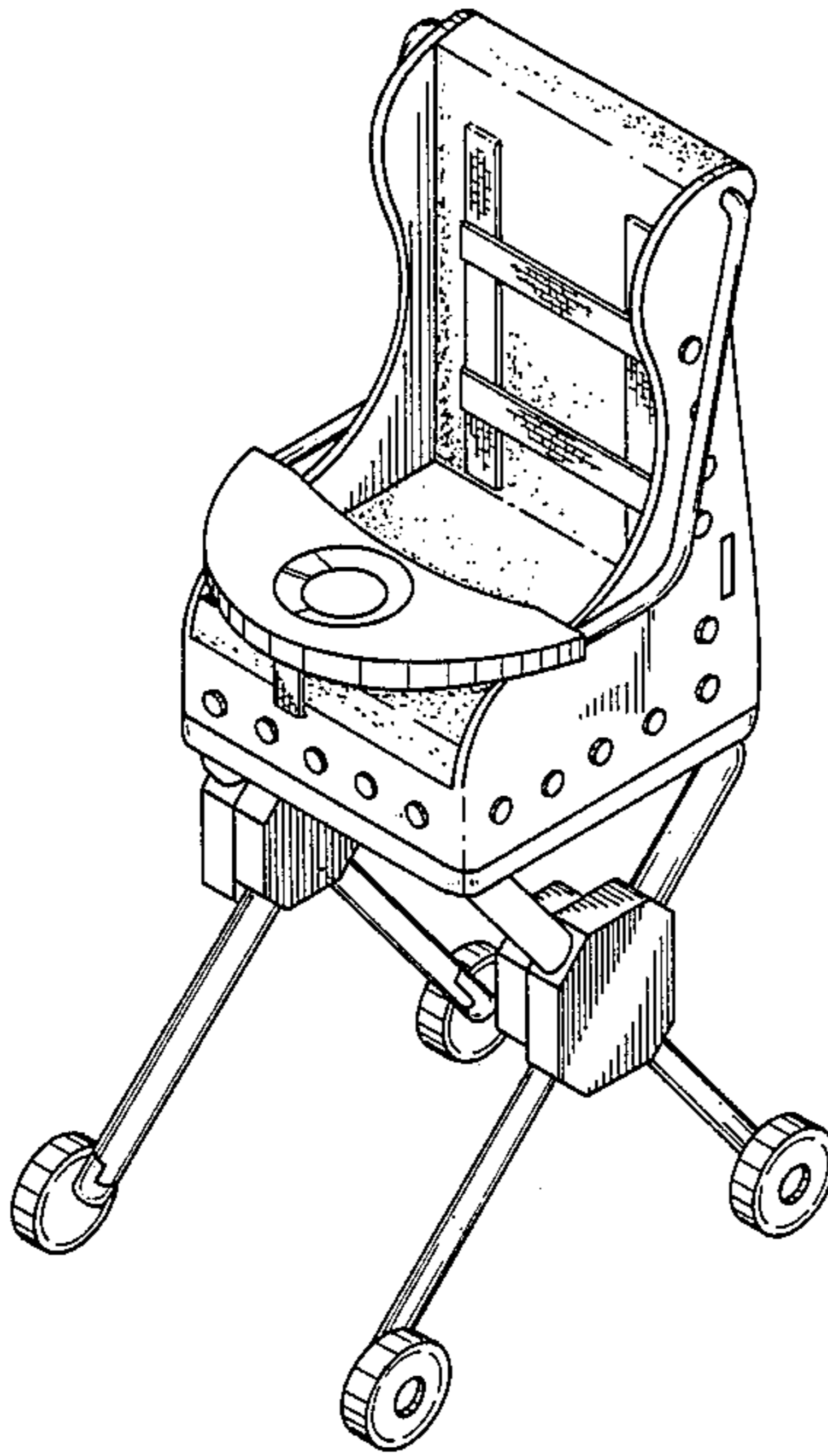
[58] Field of Search ..... D6/333, 334, 339, 367,  
D6/368; 297/257, 445; D12/129, 130

FIG. 1 is a front perspective view of a combined high chair,  
stroller and seat showing my design;  
FIG. 2 is a rear elevational view;  
FIG. 3 is a top plan view;  
FIG. 4 is a side elevational view;  
FIG. 5 is a side elevational view showing my design in  
alternate position for use as a stroller;  
FIG. 6 is an elevational view showing the side opposite  
that shown in FIG. 5; and  
FIG. 7 is a front elevational view of the design as shown  
in FIG. 1.

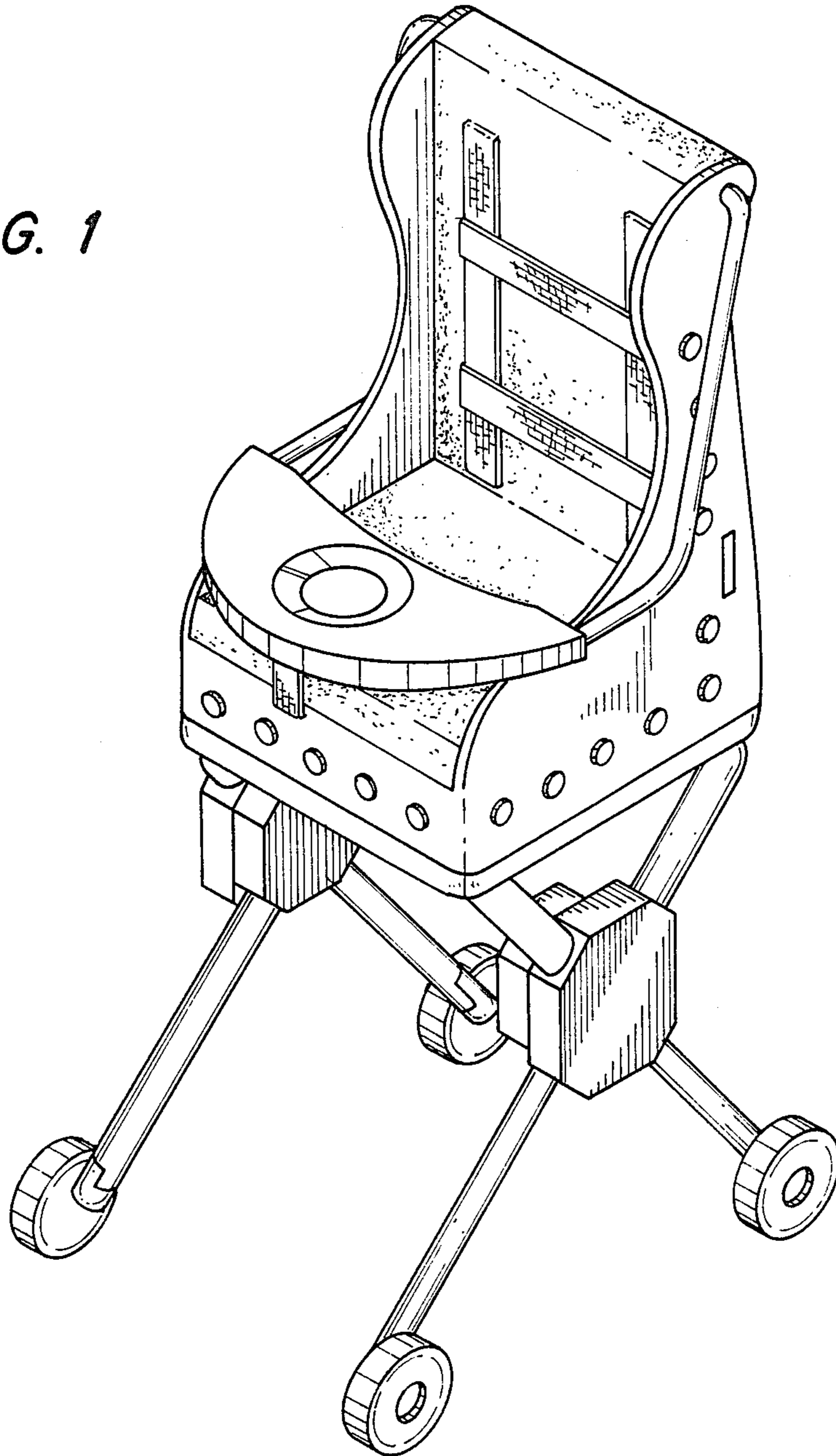
[56] References Cited

U.S. PATENT DOCUMENTS

- D. 151,417 10/1948 Sverdlik ..... D6/339 X
- D. 152,383 1/1949 Waaranan ..... D6/339
- D. 152,832 2/1949 Scharaga ..... D6/339



*FIG. 1*



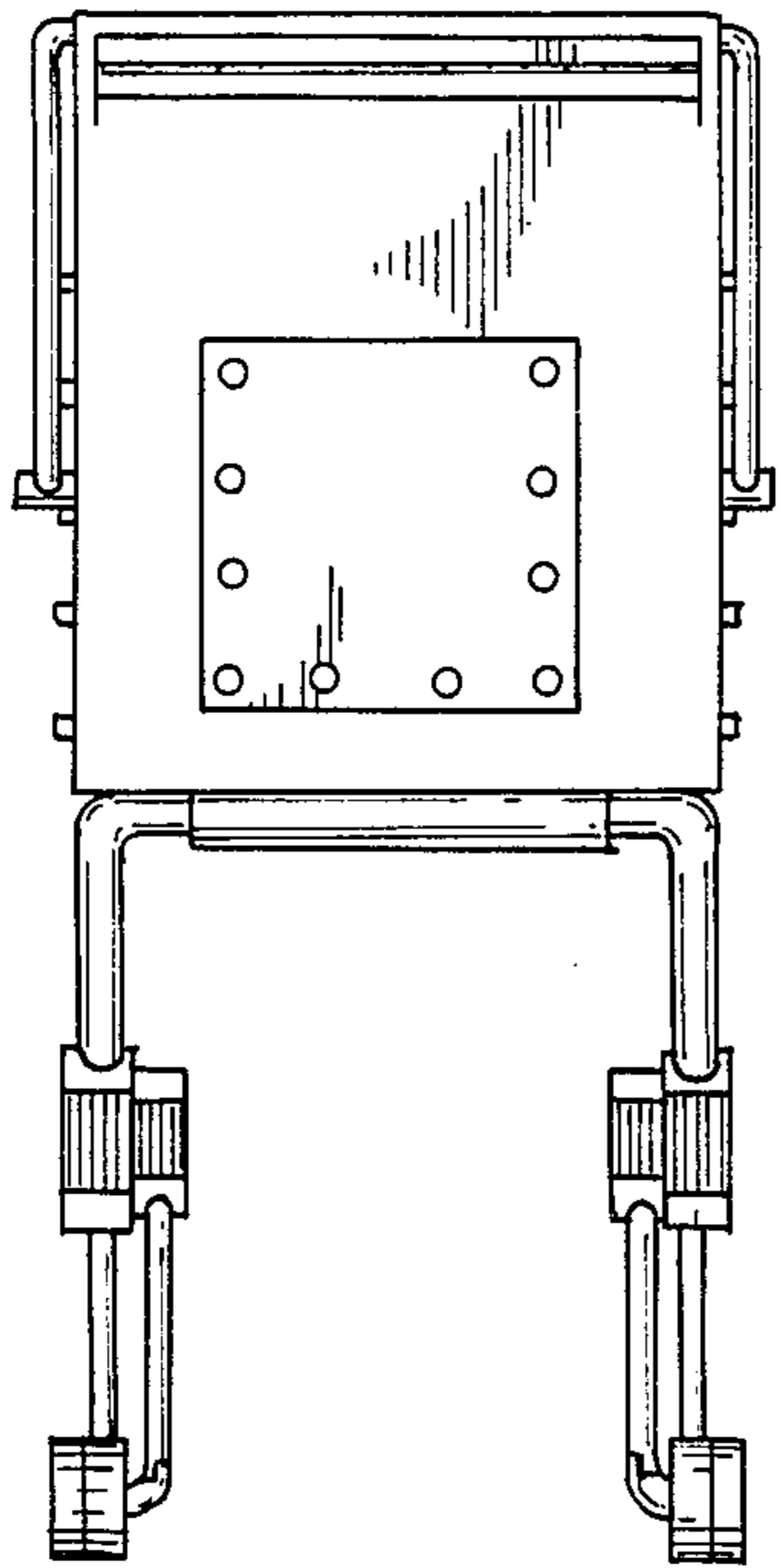


FIG. 2

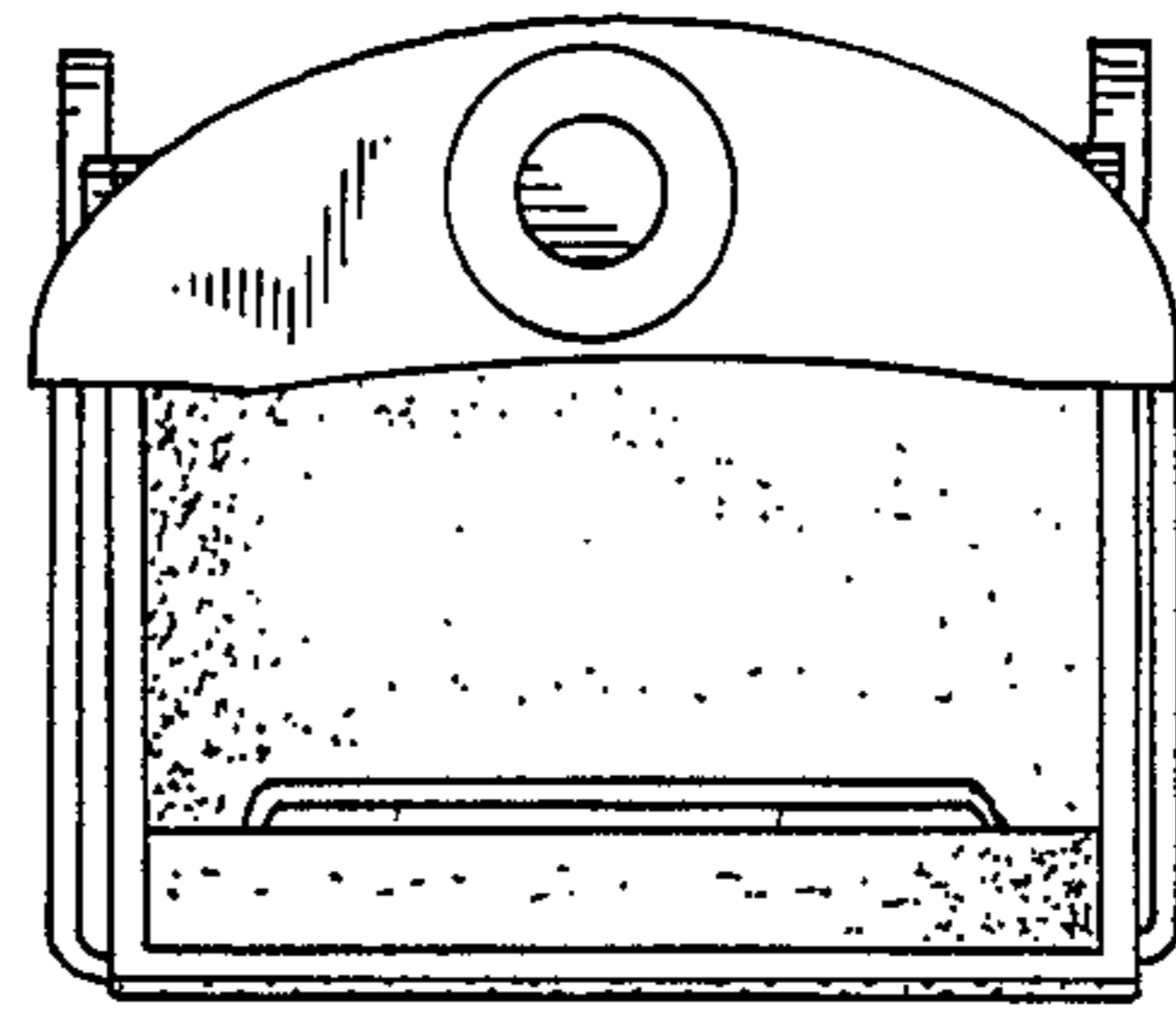


FIG. 3

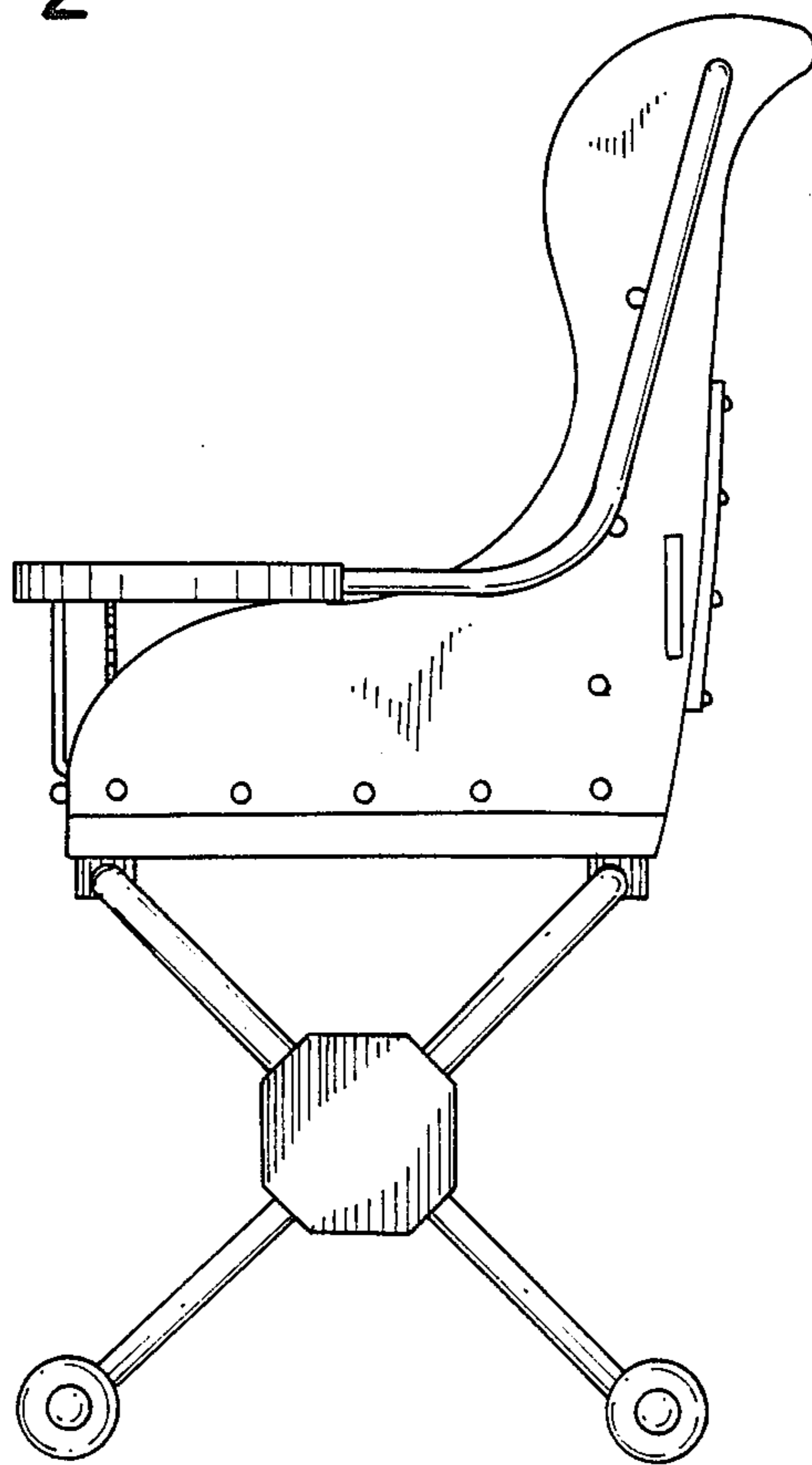


FIG. 4

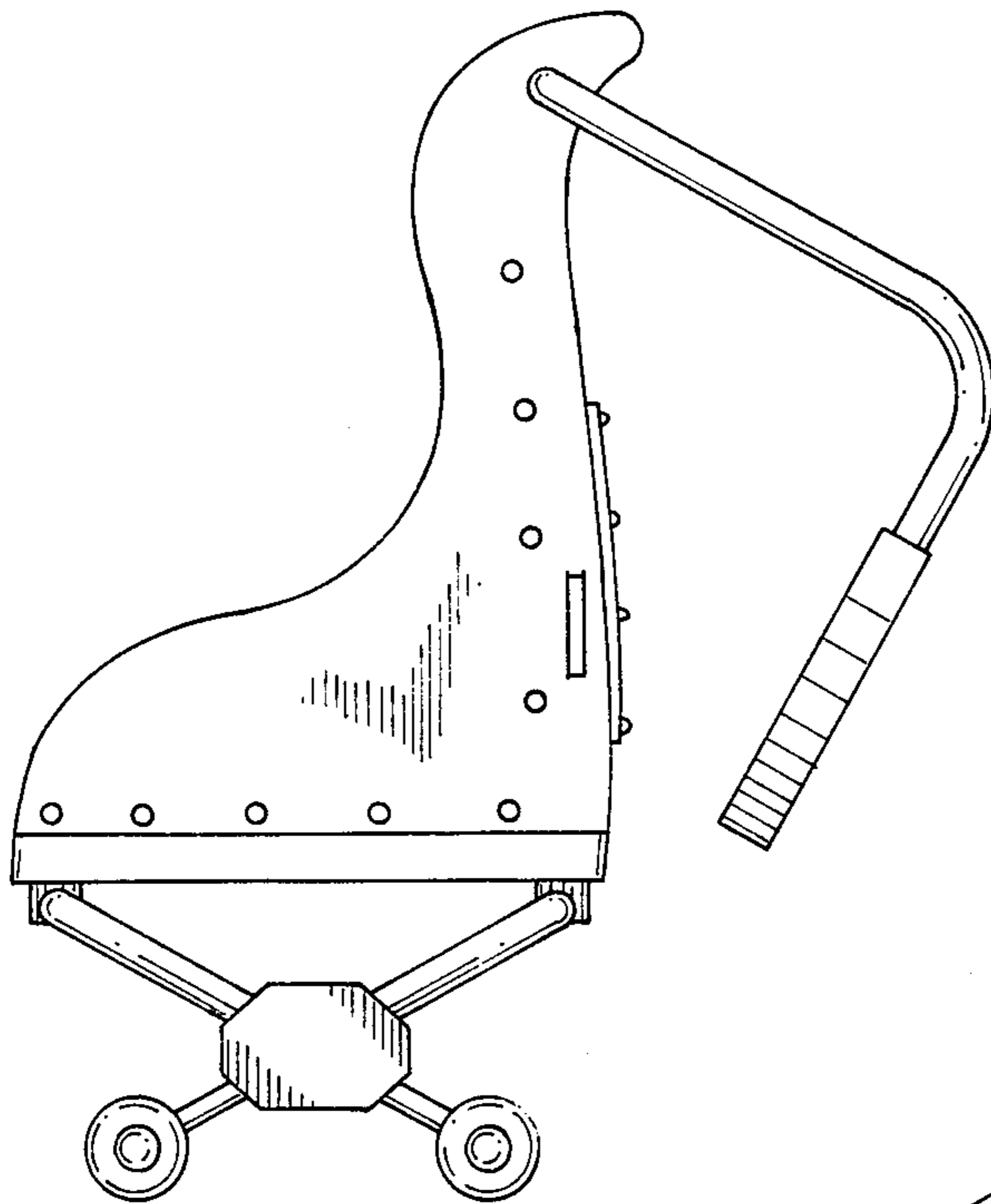


FIG. 5

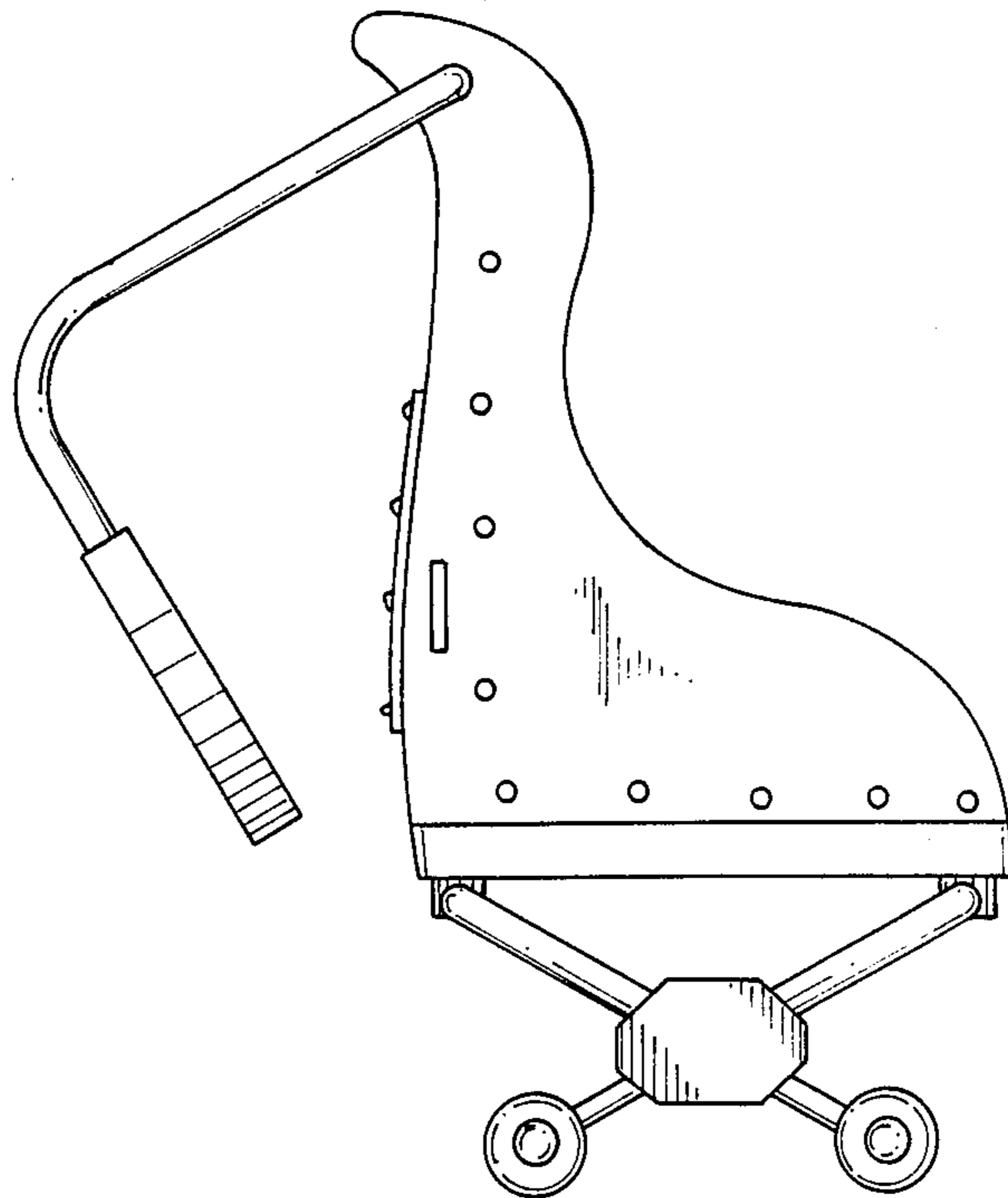


FIG. 6

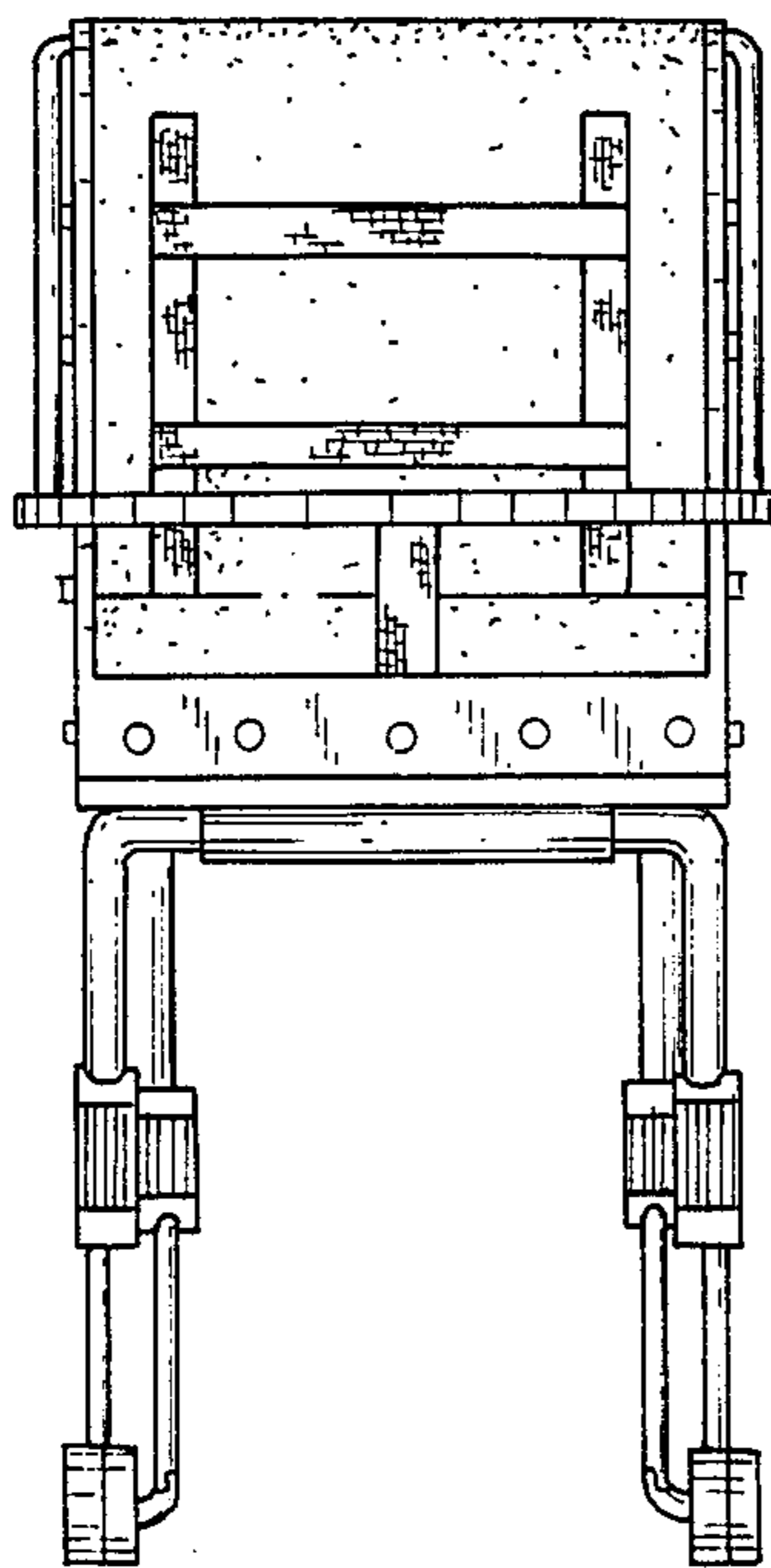


FIG. 7