

[54] CAST HOPPER TEE

[75] Inventor: David E. Sisk, Bonne Terre, Mo.

[73] Assignee: Tank Trailer, Inc., St. Genevieve, Mo.

[**] Term: 14 Years

[21] Appl. No.: 817,584

[22] Filed: Jan. 10, 1986

[52] U.S. Cl. D34/28; D23/262

[58] Field of Search D34/28; 406/1-6, 406/108, 122, 123; D23/262, 263; 414/326; 222/460, 461, 462; 198/311, 671; 193/9

[56] References Cited

U.S. PATENT DOCUMENTS

- D. 260,810 9/1981 Cleveland D23/262
- D. 279,323 6/1985 Spenceley D34/28
- D. 283,265 4/1986 Preskey et al. D34/28
- D. 291,480 8/1987 Vassallo et al. D23/263
- 3,245,725 4/1966 Wildman, Jr. 406/108

- 3,762,772 10/1973 Fuss 406/1
- 4,104,889 8/1978 Hoenisch 406/1
- 4,116,491 9/1978 Ply 406/122

Primary Examiner—Wallace R. Burke
Assistant Examiner—Kay H. Chin
Attorney, Agent, or Firm—Paul M. Denk

[57] CLAIM

The ornamental design for a cast hopper tee, as shown and described.

DESCRIPTION

FIG. 1 is a top perspective view of a cast hopper tee showing my new design;
 FIG. 2 is a side elevational view thereof, the opposite side elevational view being a mirror image of that shown;
 FIG. 3 is an end elevational view thereof, the opposite end elevational view being a mirror image of that shown;
 FIG. 4 is a top plan view thereof; and
 FIG. 5 is a bottom plan view thereof.

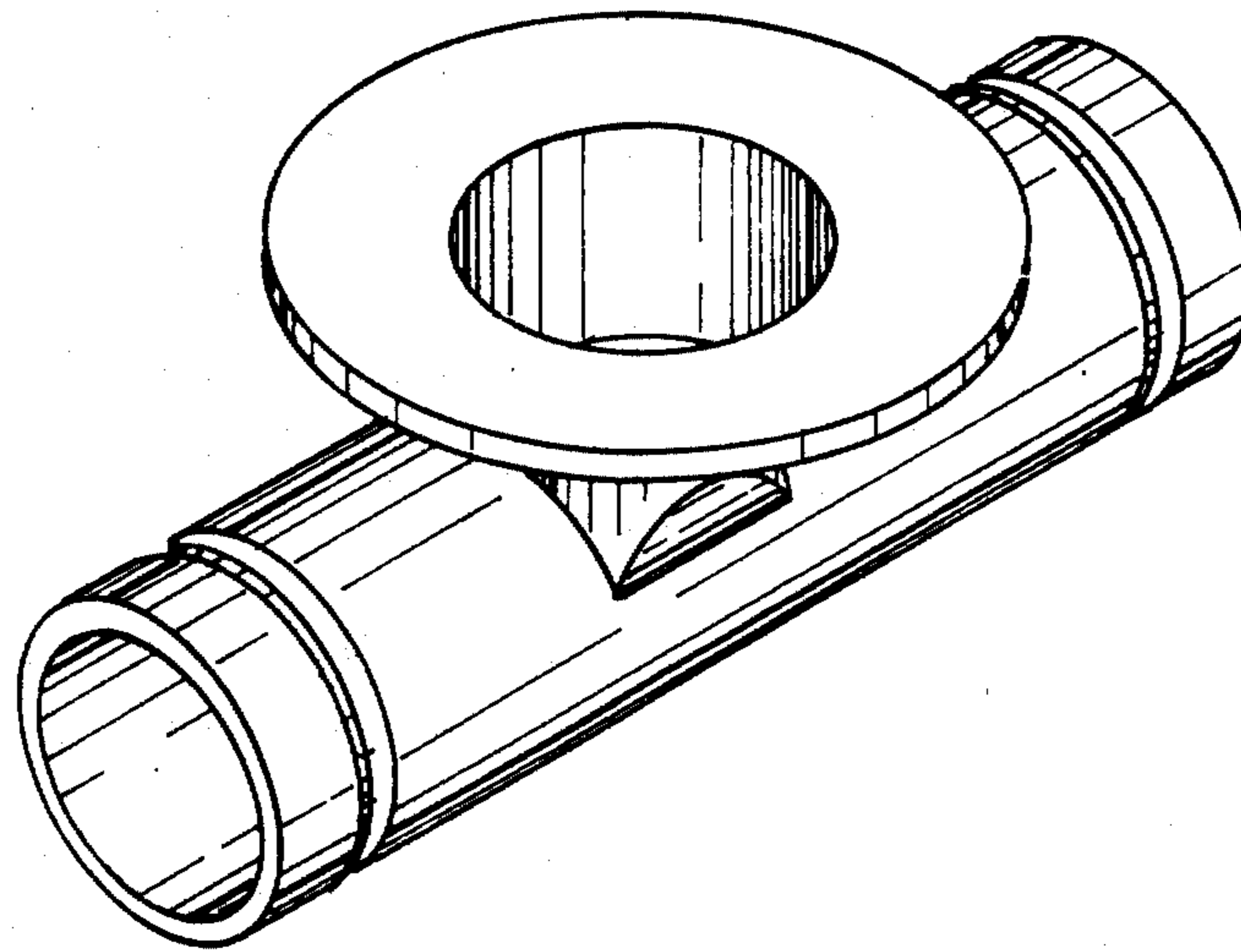


FIG. 1.

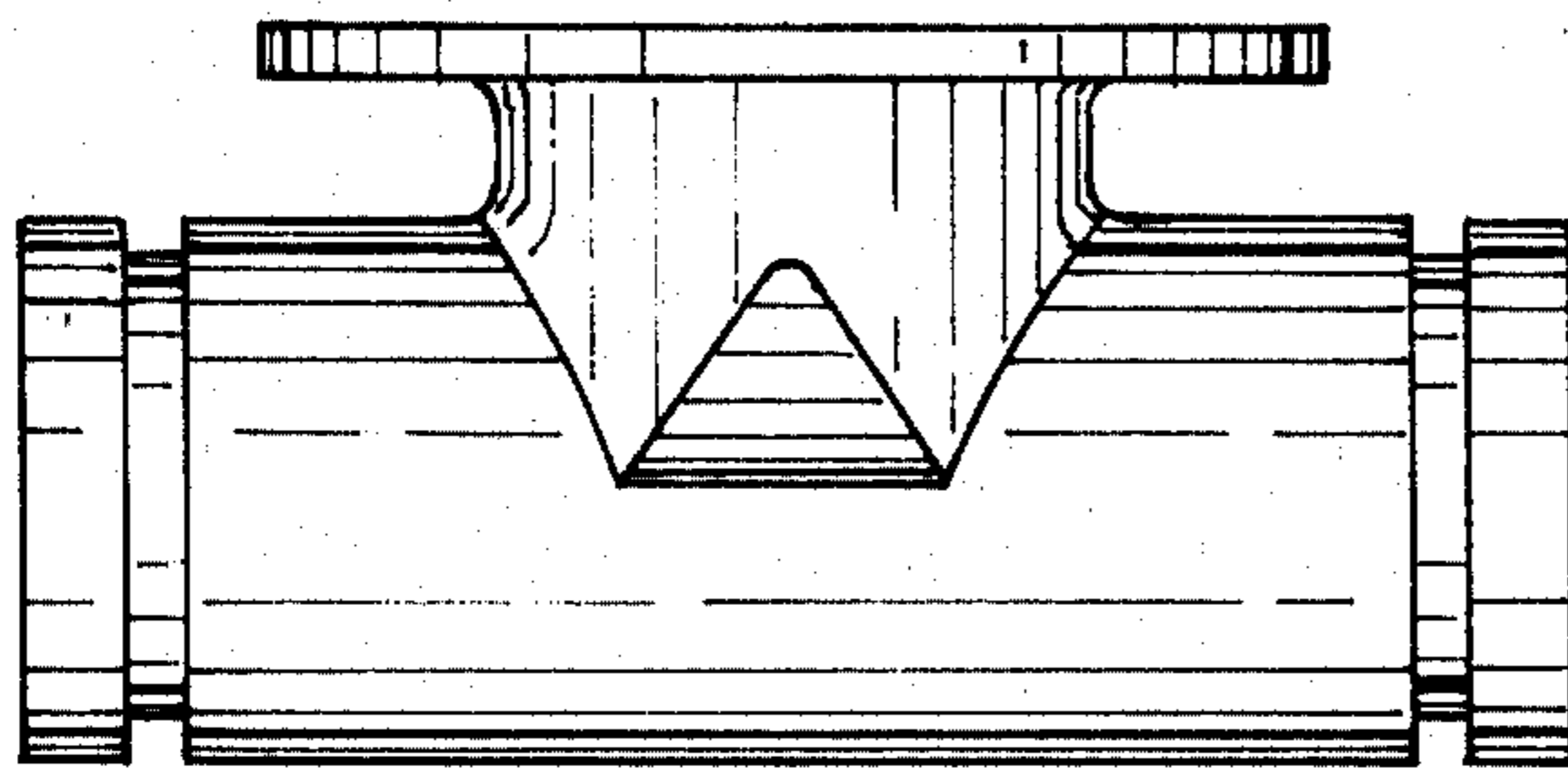
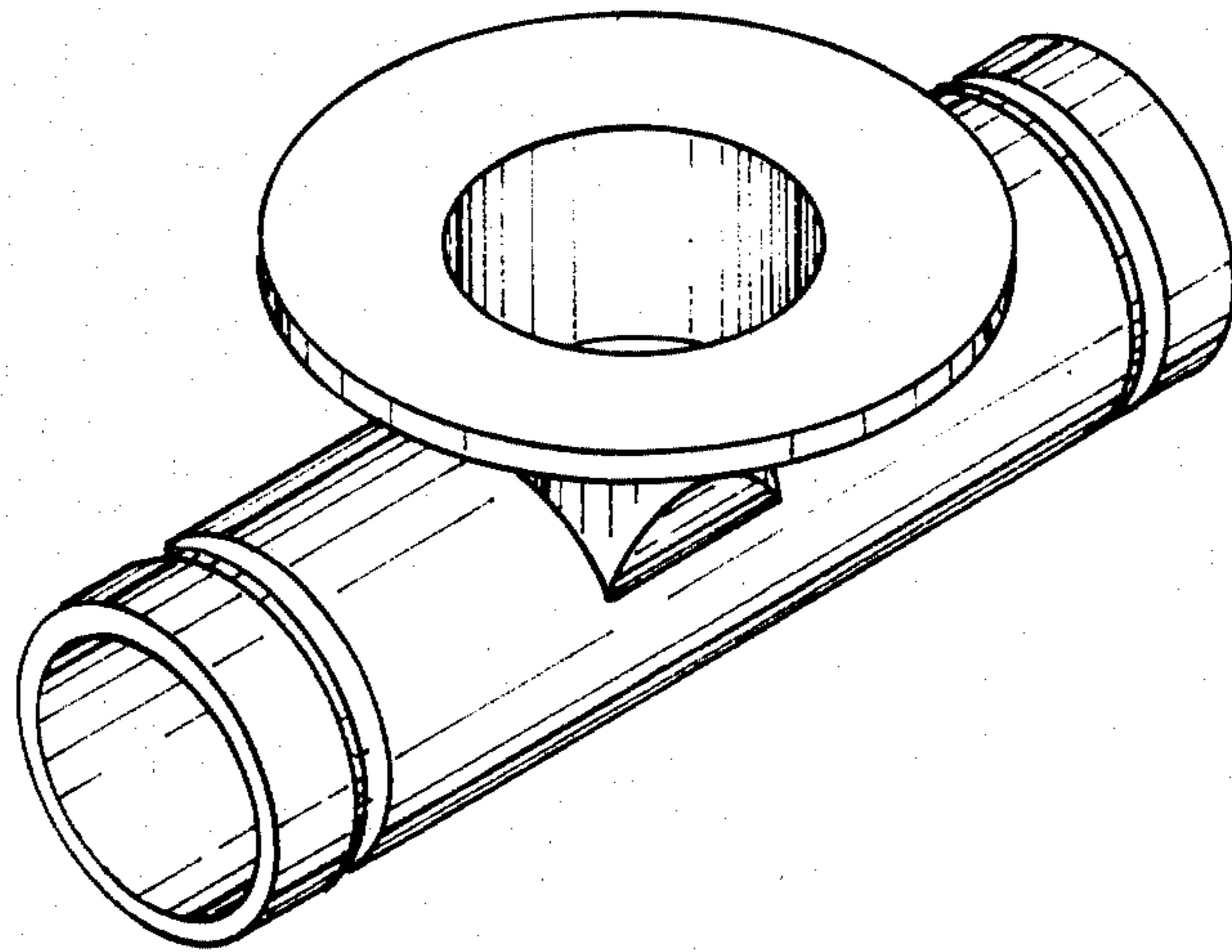


FIG. 2.

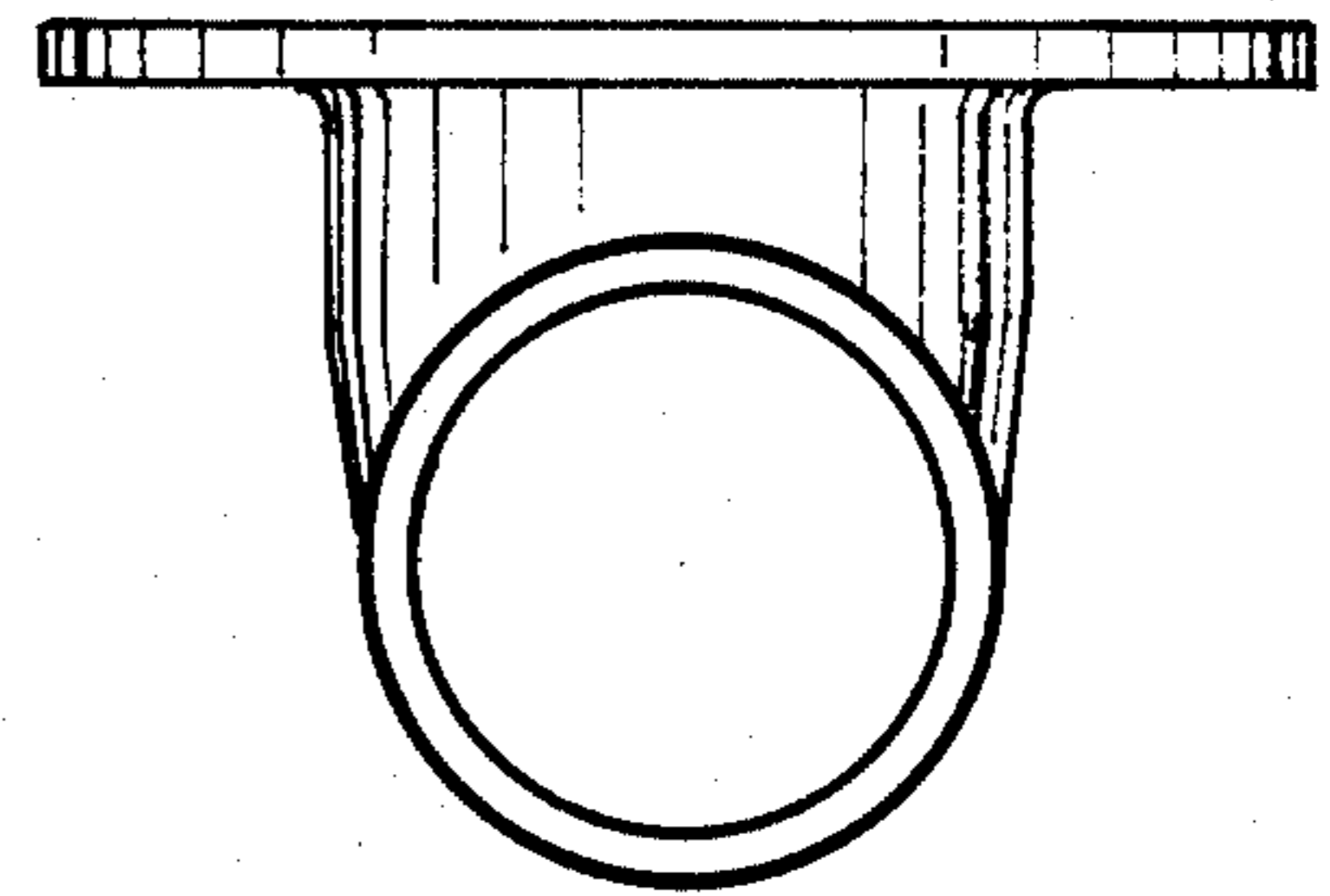


FIG. 3.

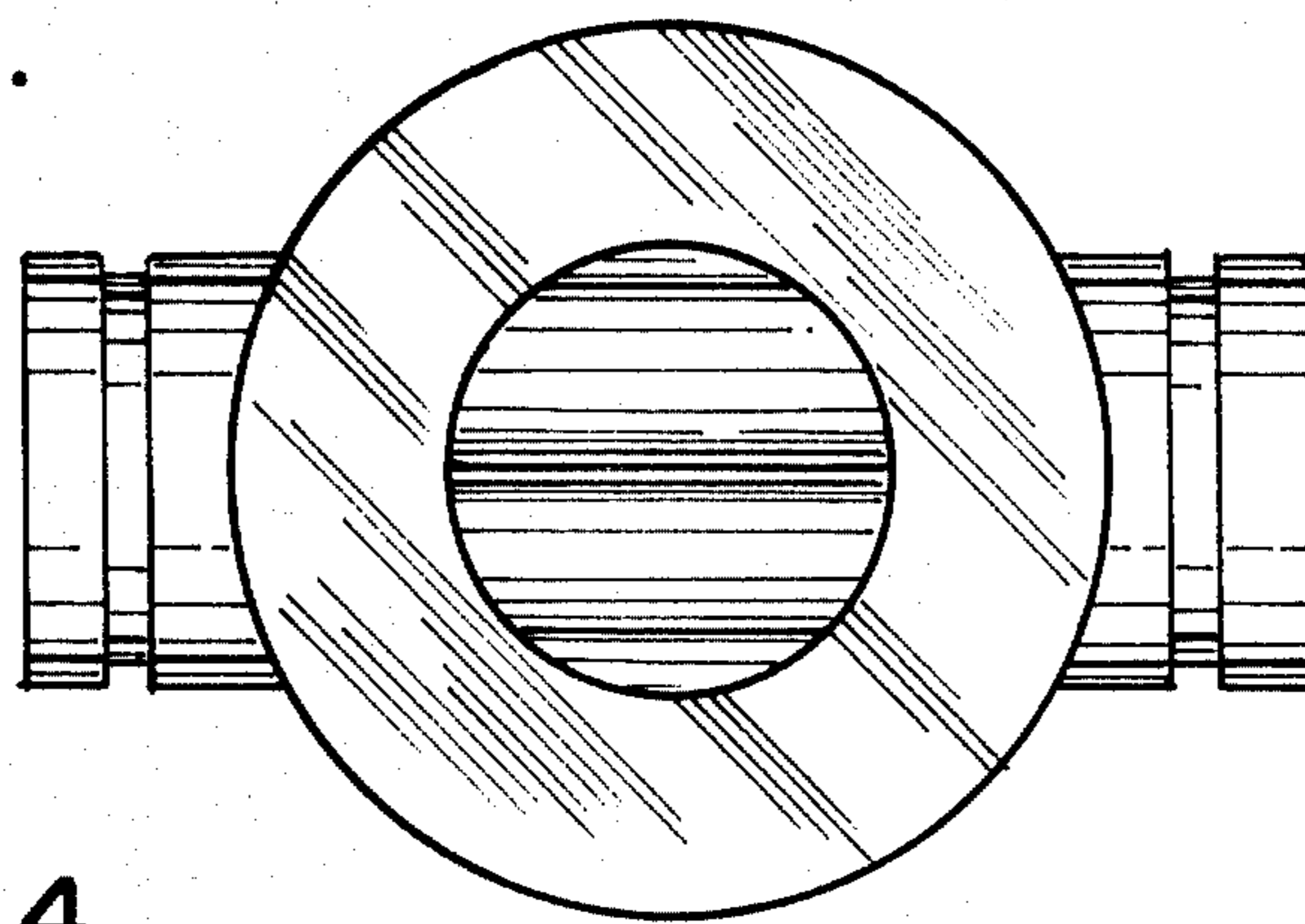


FIG. 4.

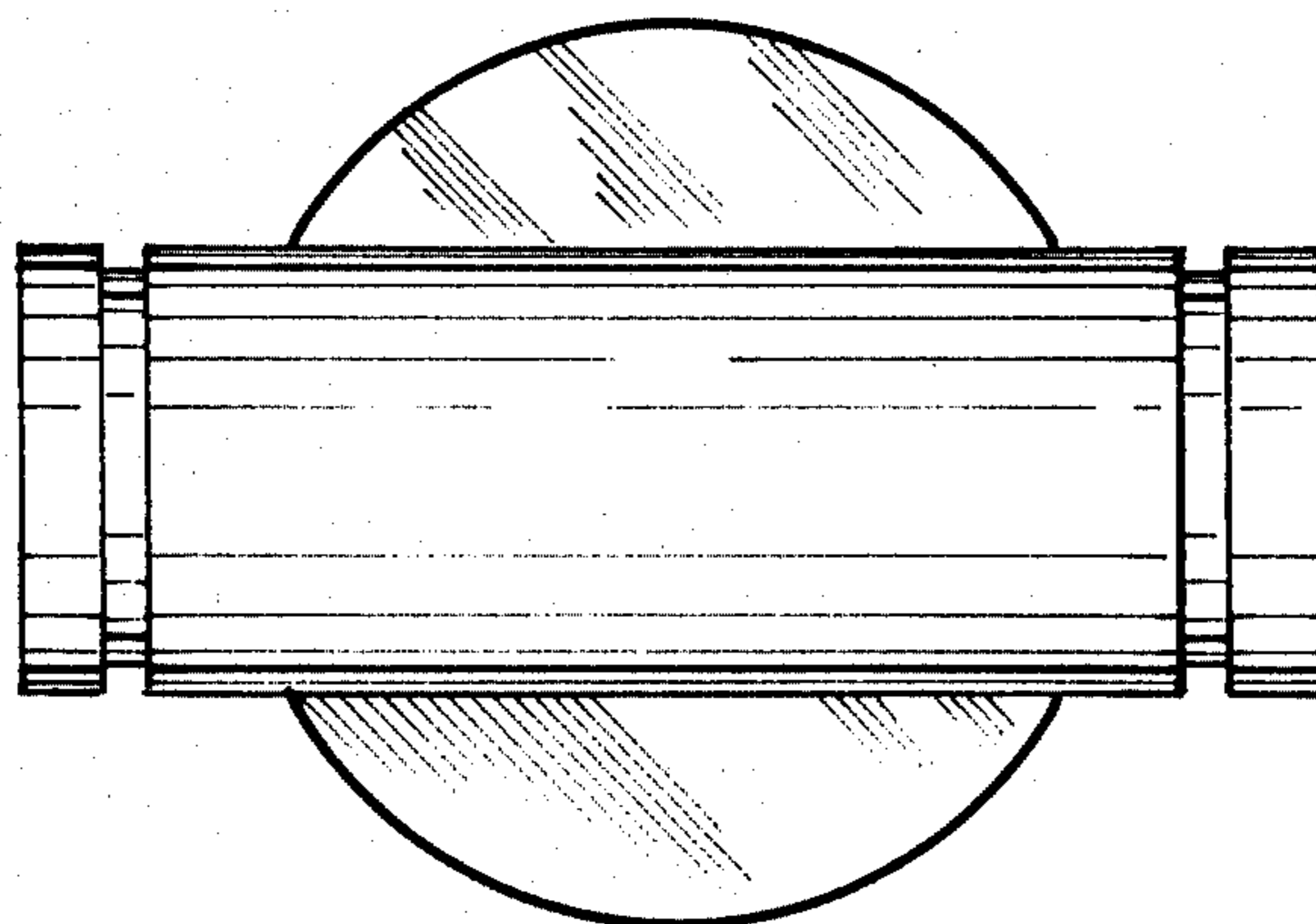


FIG. 5.