

[54] TEA CART OR THE LIKE

[75] Inventor: Marks M. Conn, Moorpark, Calif.

[73] Assignee: Mallin Company, Los Angeles, Calif.

[**] Term: 14 Years

[21] Appl. No.: 805,139

[22] Filed: Nov. 14, 1985

[52] U.S. Cl. D34/21; D34/17; D6/469; D6/474

[58] Field of Search D34/12, 14, 17, 20, D34/21, 22, 23; D6/469, 474; 211/74, 126; 280/79.3, 47.35

[56] References Cited

U.S. PATENT DOCUMENTS

- D. 100,444 7/1936 Sherrick D6/469
- D. 178,377 7/1956 Karoff D6/469
- D. 196,836 11/1963 Berger D34/21
- D. 197,282 1/1964 Gusdorf D34/21
- D. 200,401 2/1965 Olson D34/18

- D. 250,238 11/1978 Minsky D6/469
- D. 252,899 9/1979 Campbell D6/469
- 3,894,748 7/1975 Ratcliff 280/47.35

Primary Examiner—Wallace R. Burke
Assistant Examiner—Kay H. Chin
Attorney, Agent, or Firm—Spensley Horn Jubas & Lubitz

[57] CLAIM

The ornamental design for a tea cart or the like, as shown and described.

DESCRIPTION

FIG. 1 is a front perspective view of a tea cart or the like showing my new design;
FIG. 2 is a front elevation view thereof;
FIG. 3 is a side elevation view thereof;
FIG. 4 is a top plan view thereof;
FIG. 5 is a bottom plan view thereof;
FIG. 6 is a rear elevation view thereof;
FIG. 7 is a sectional view thereof taken along the plane 7-7 of FIG. 1 and looking in the direction of arrows.

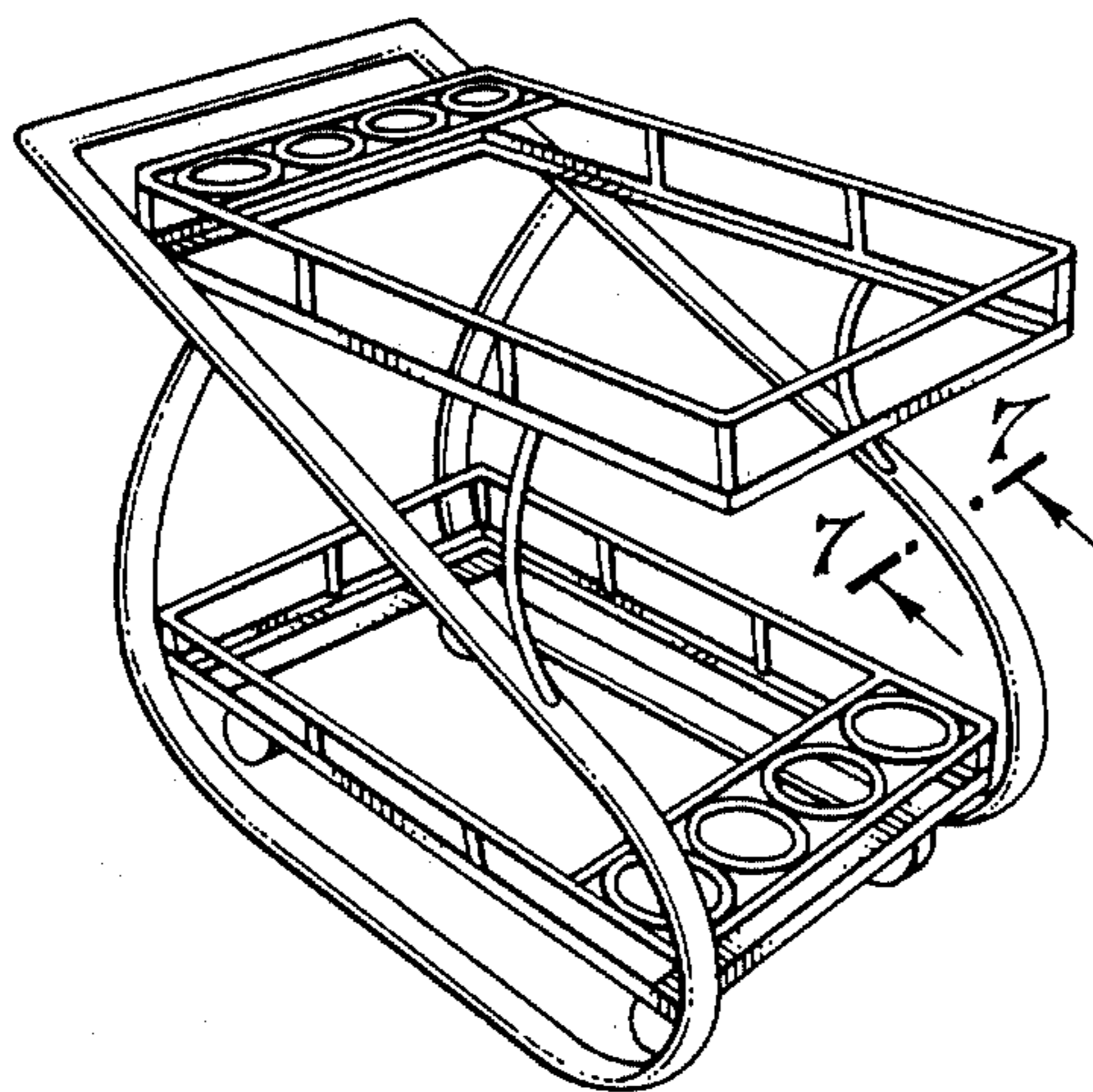


FIG. 4

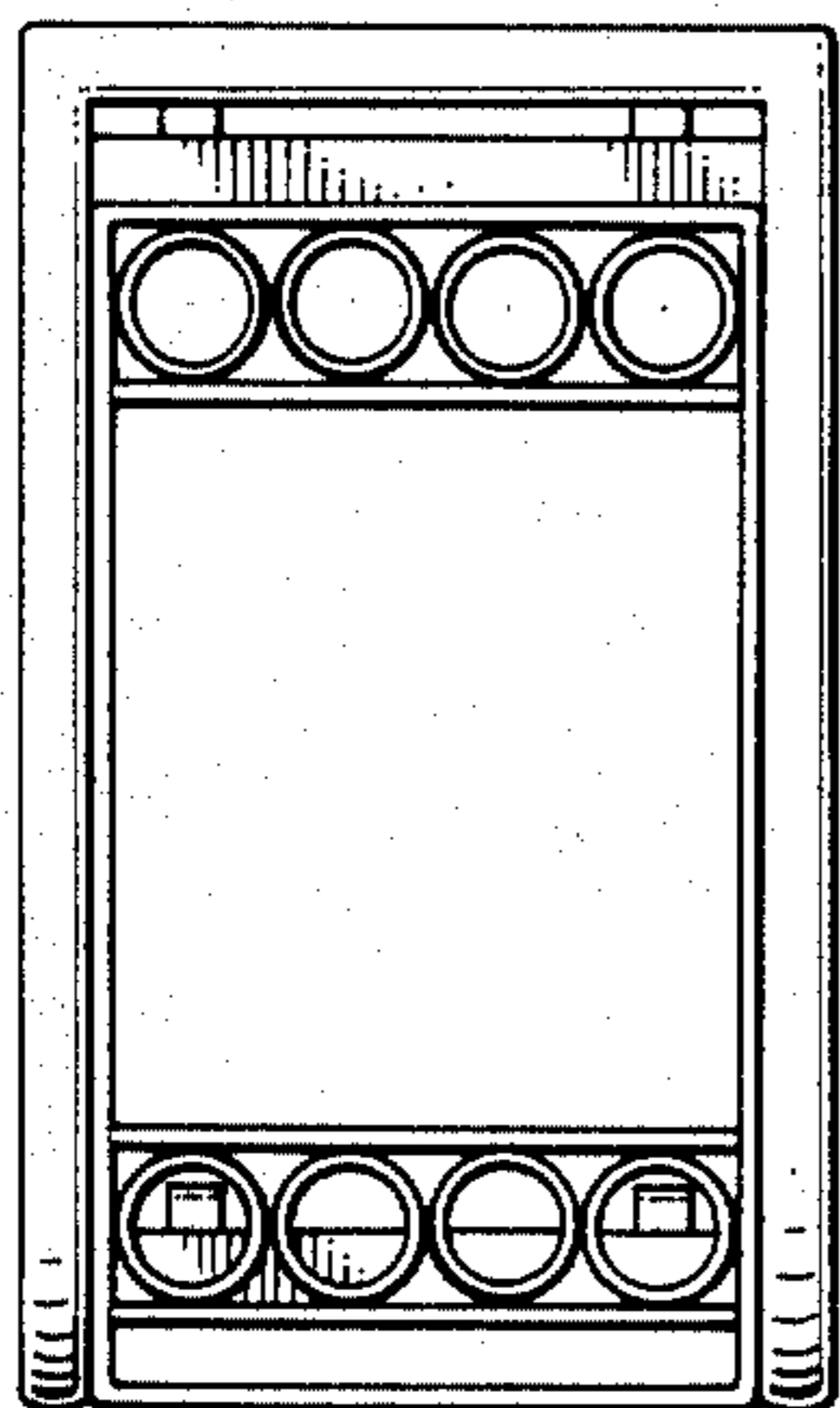


FIG. 1

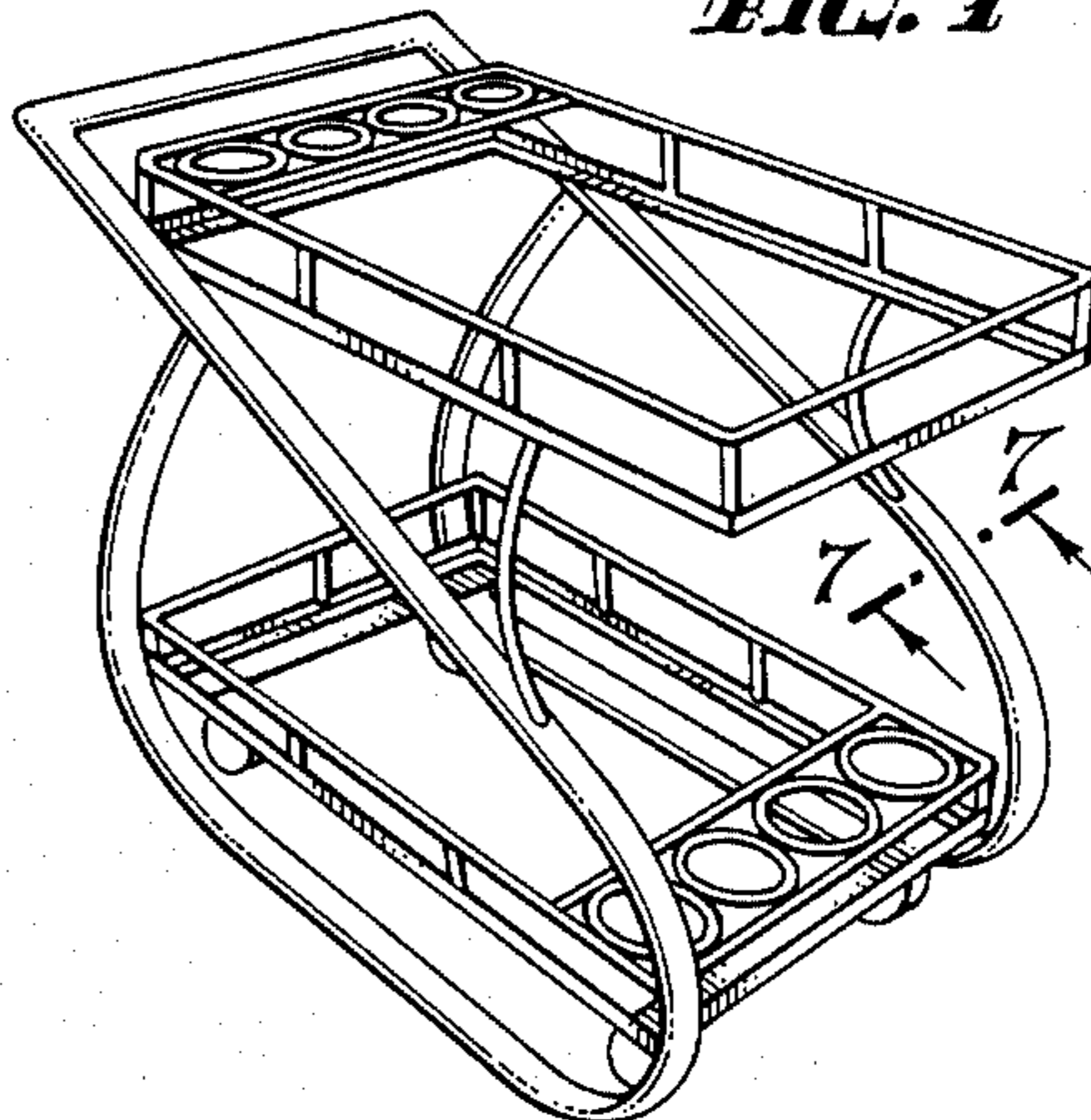


FIG. 2

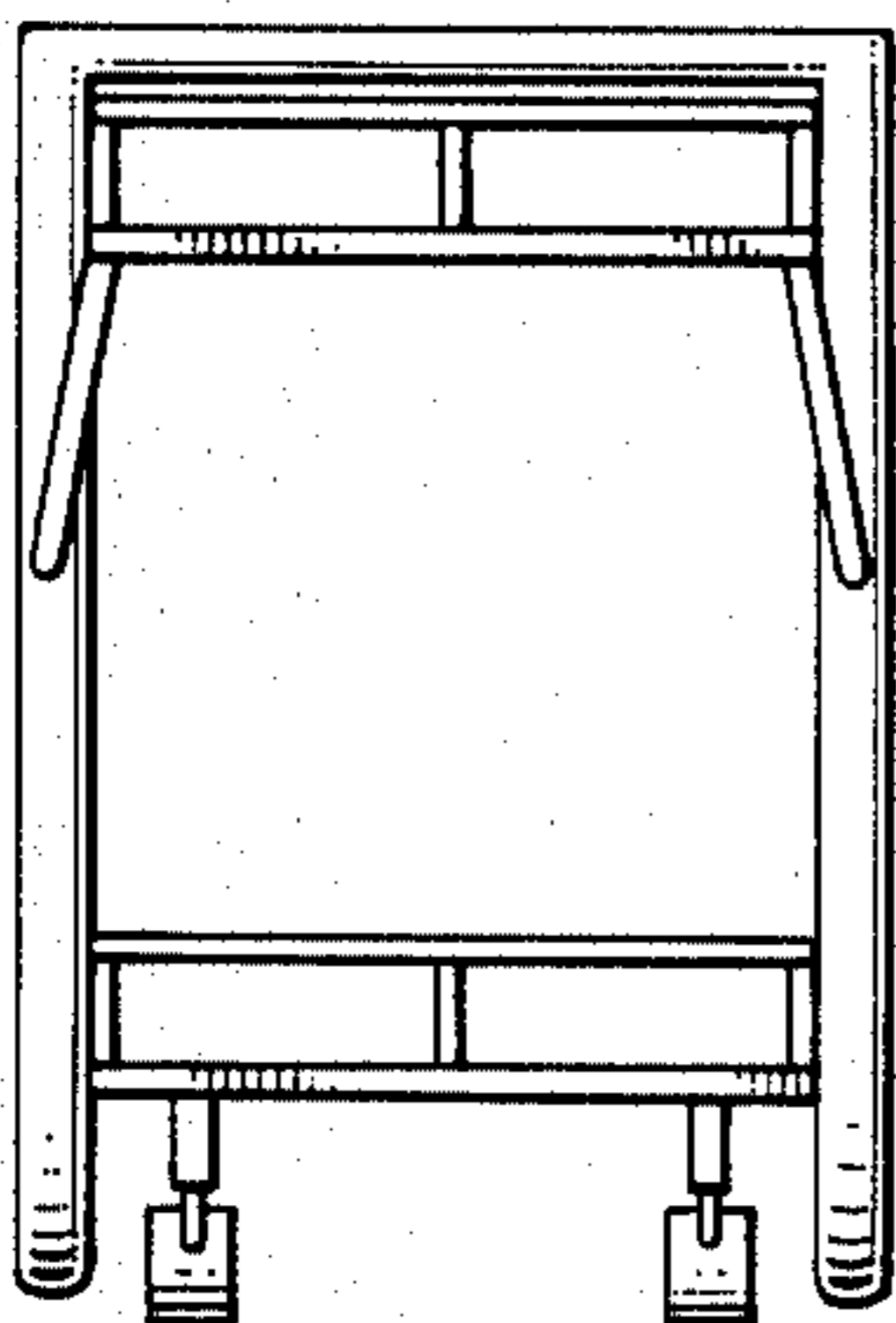


FIG. 3

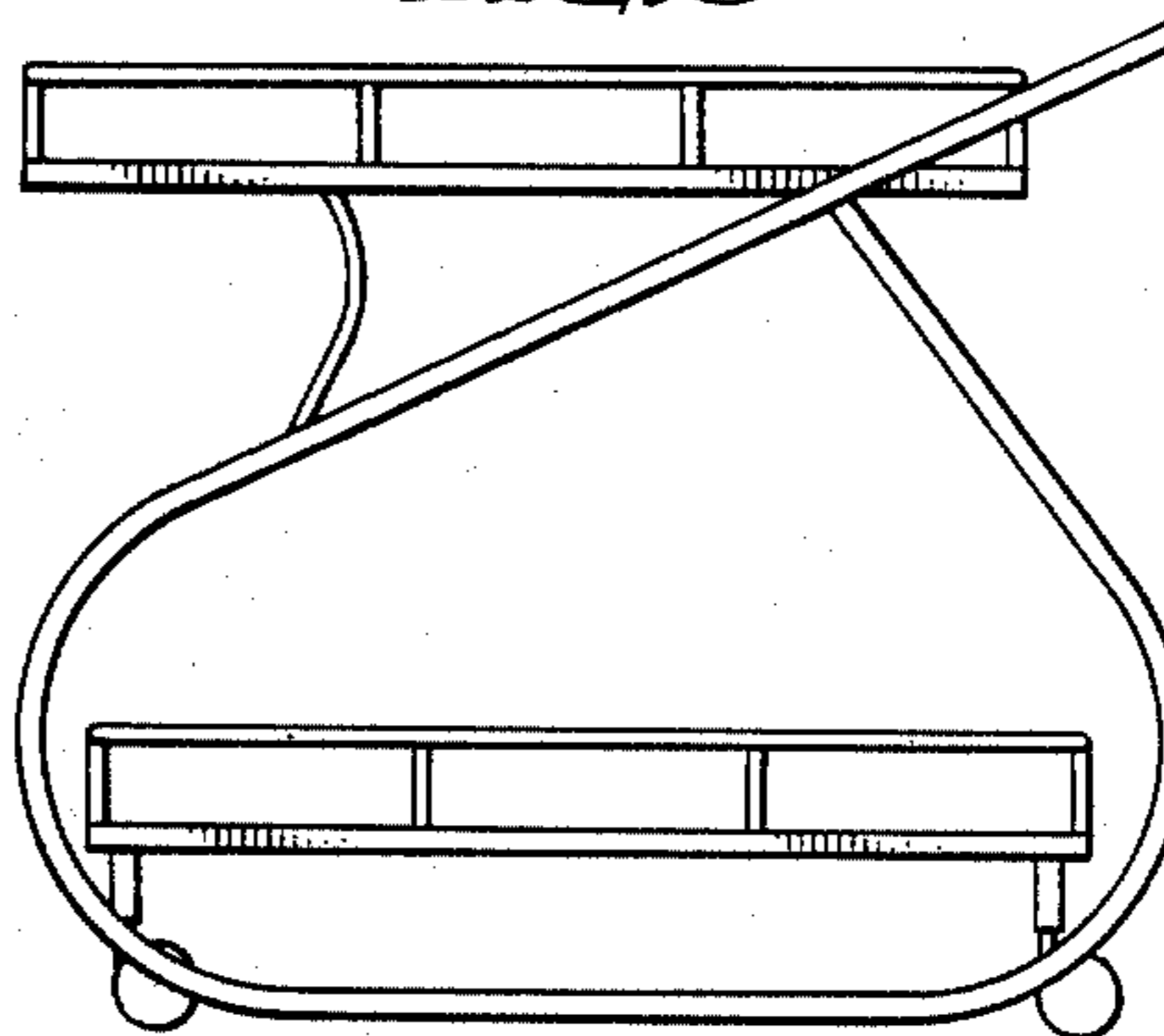


FIG. 5

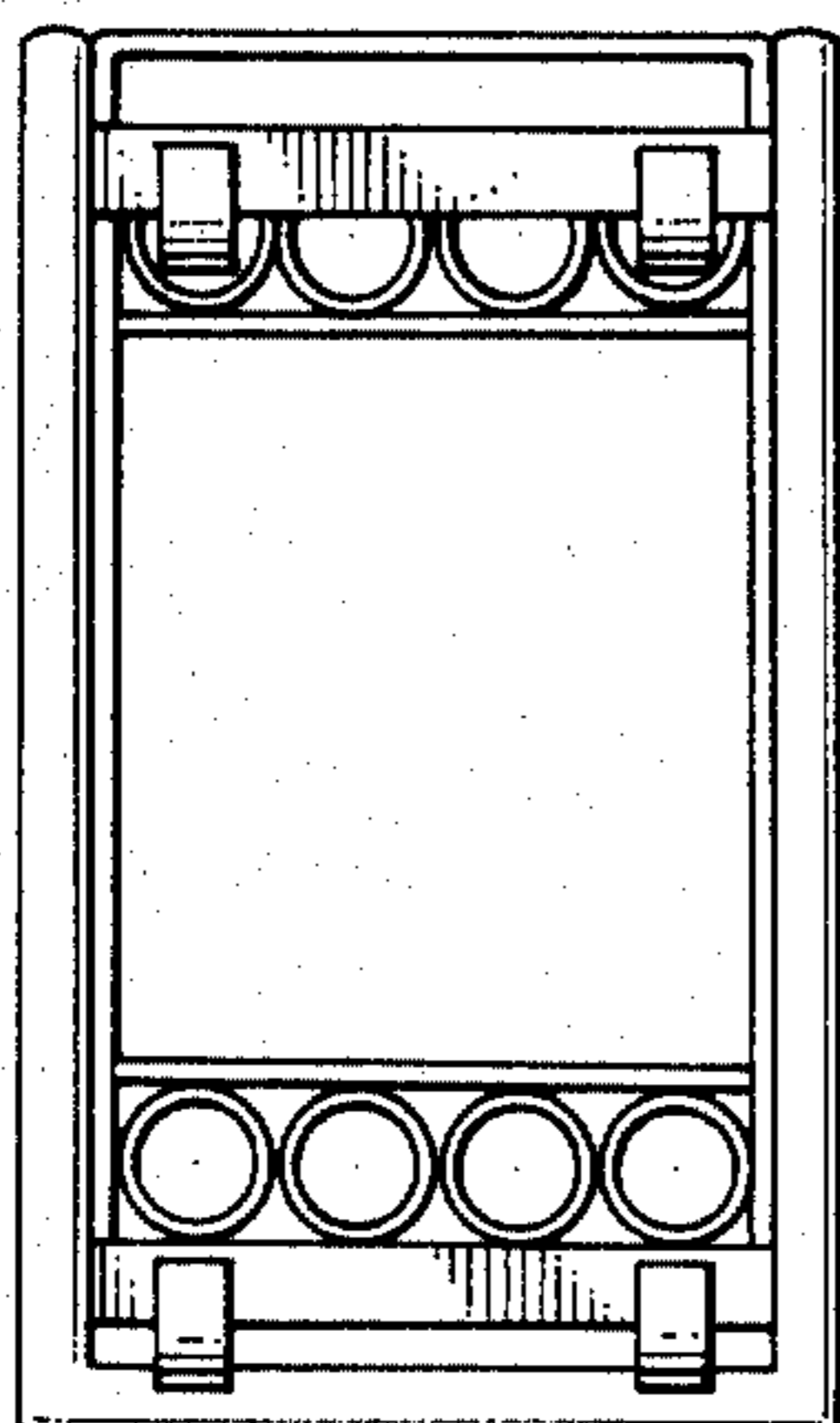


FIG. 6

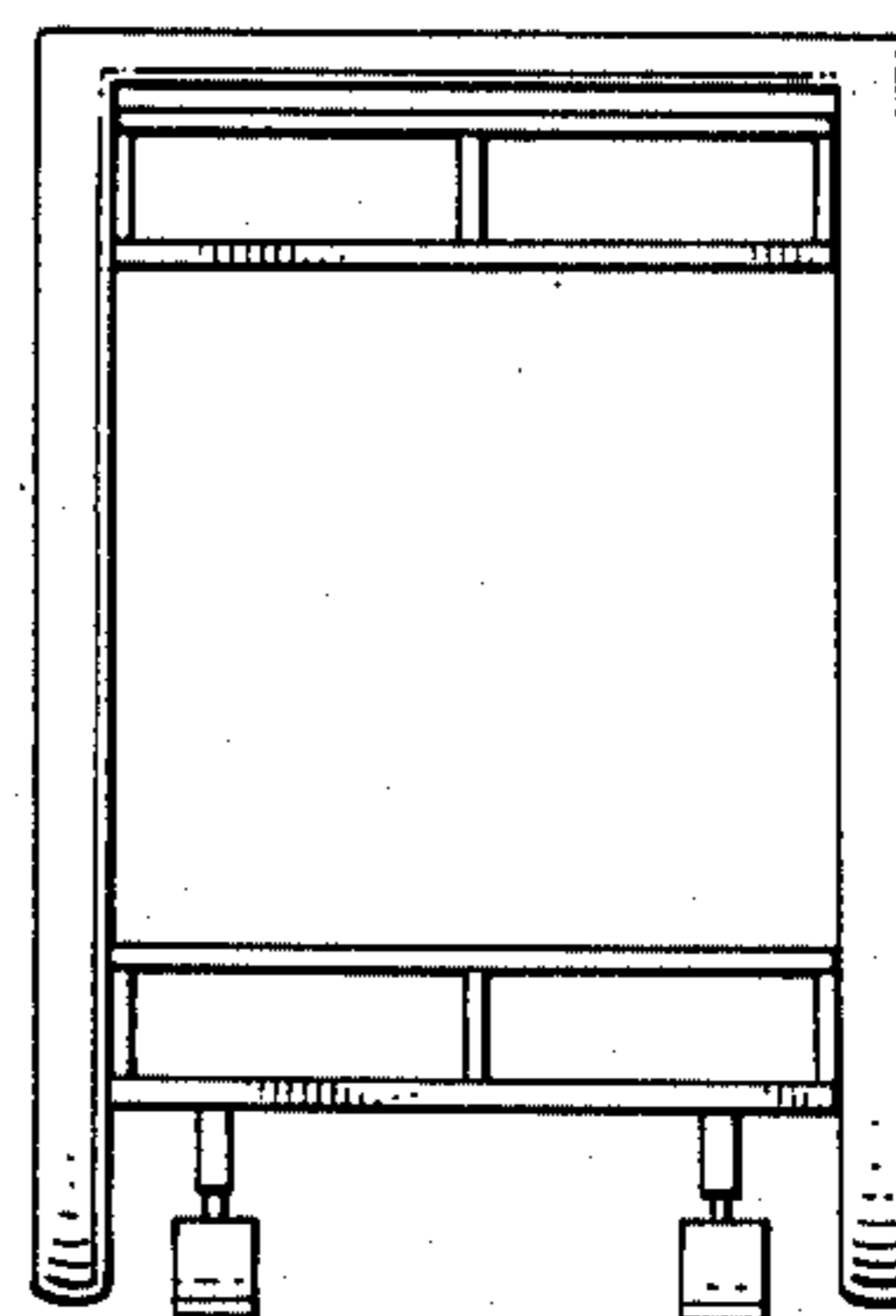


FIG. 7

