

United States Patent [19]

Shapero

[11] Patent Number: **Des. 297,673**

[45] Date of Patent: **** Sep. 13, 1988**

[54] **CHILD HARNESS**

[76] Inventor: **Christina A. Shapero, 147 Seabreeze Ave., Palm Beach, Fla. 338480**

[**] Term: **14 Years**

[21] Appl. No.: **883,060**

[22] Filed: **Jul. 8, 1986**

[52] U.S. Cl. **D29/11**

[58] Field of Search **D29/10, 11; 119/96, 119/109; 2/2, 2.5; 128/133, 134; D6/333**

[56] **References Cited**

U.S. PATENT DOCUMENTS

2,212,746 8/1940 Nunn 119/96

2,356,715	8/1944	Webster	119/109
3,077,292	2/1963	Gehrke	119/96
3,295,501	1/1967	Riley	119/96
4,621,589	11/1986	Thinnes	119/96
4,667,624	5/1987	Smith	119/96

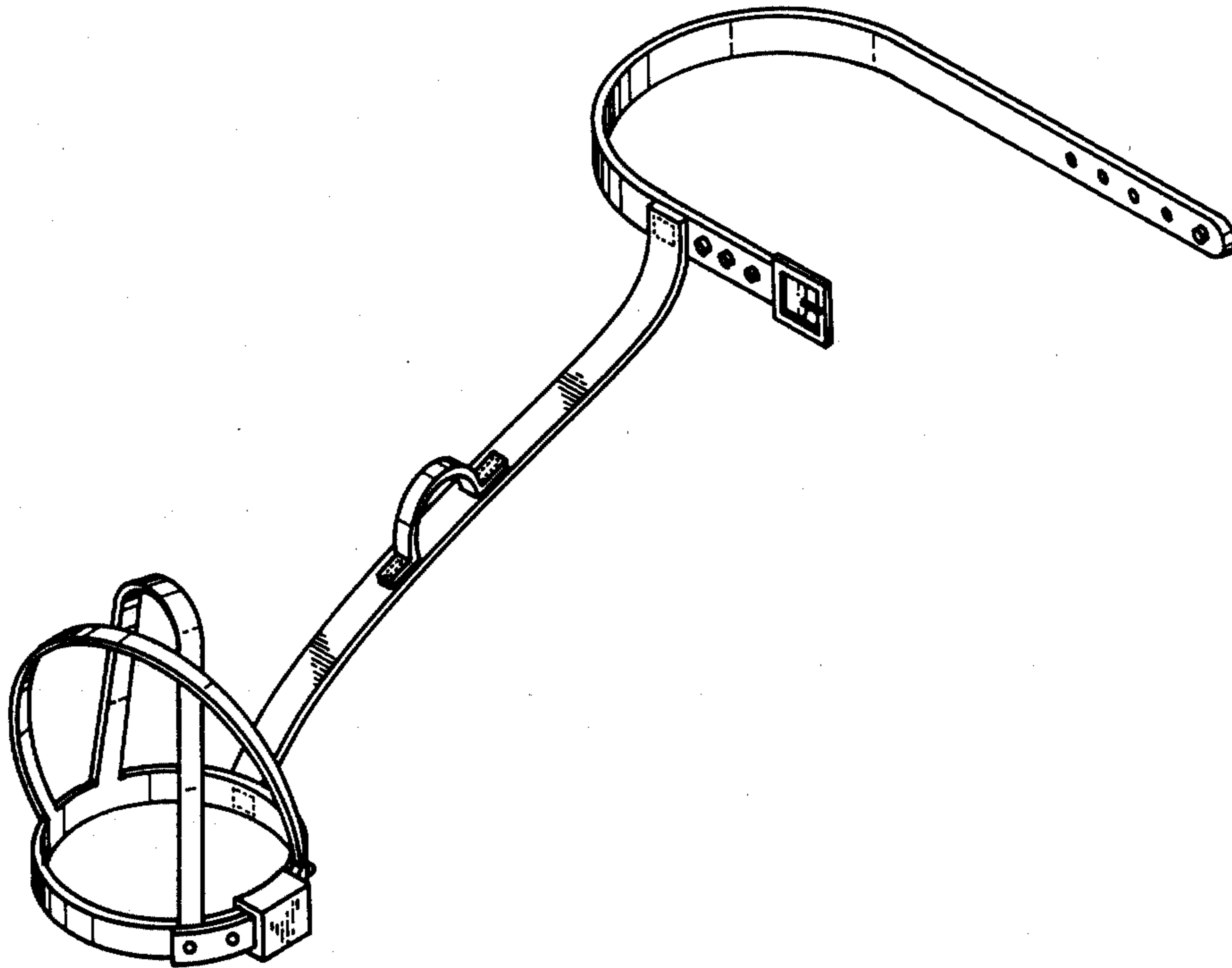
Primary Examiner—Carmen H. Vales
Attorney, Agent, or Firm—Terry M. Gernstein

[57] **CLAIM**

The ornamental design for a child harness, as shown and described.

DESCRIPTION

FIG. 1 is a perspective view of a child harness showing my new design; and
FIG. 2 is a front elevational view thereof.



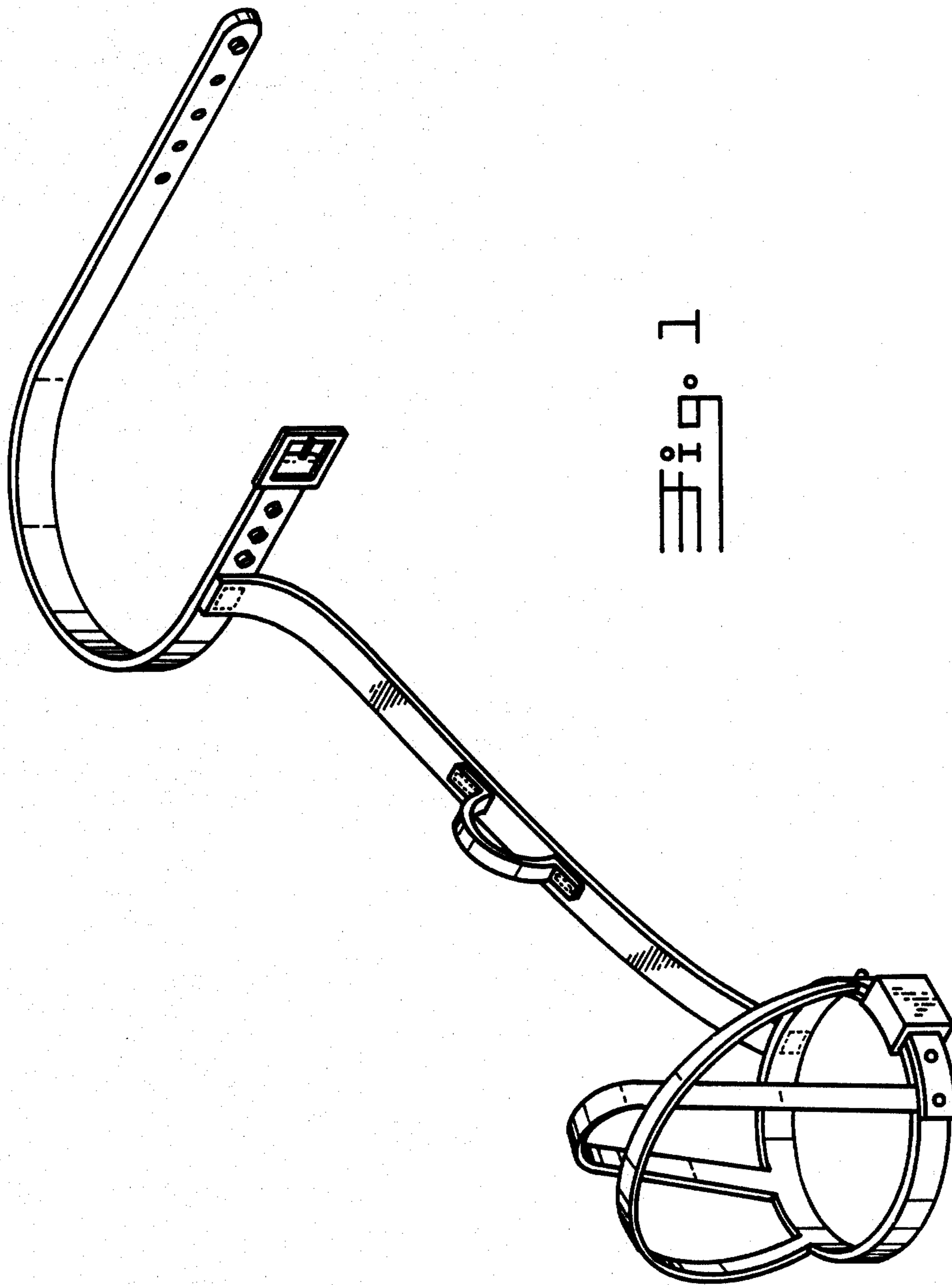


Fig. 1

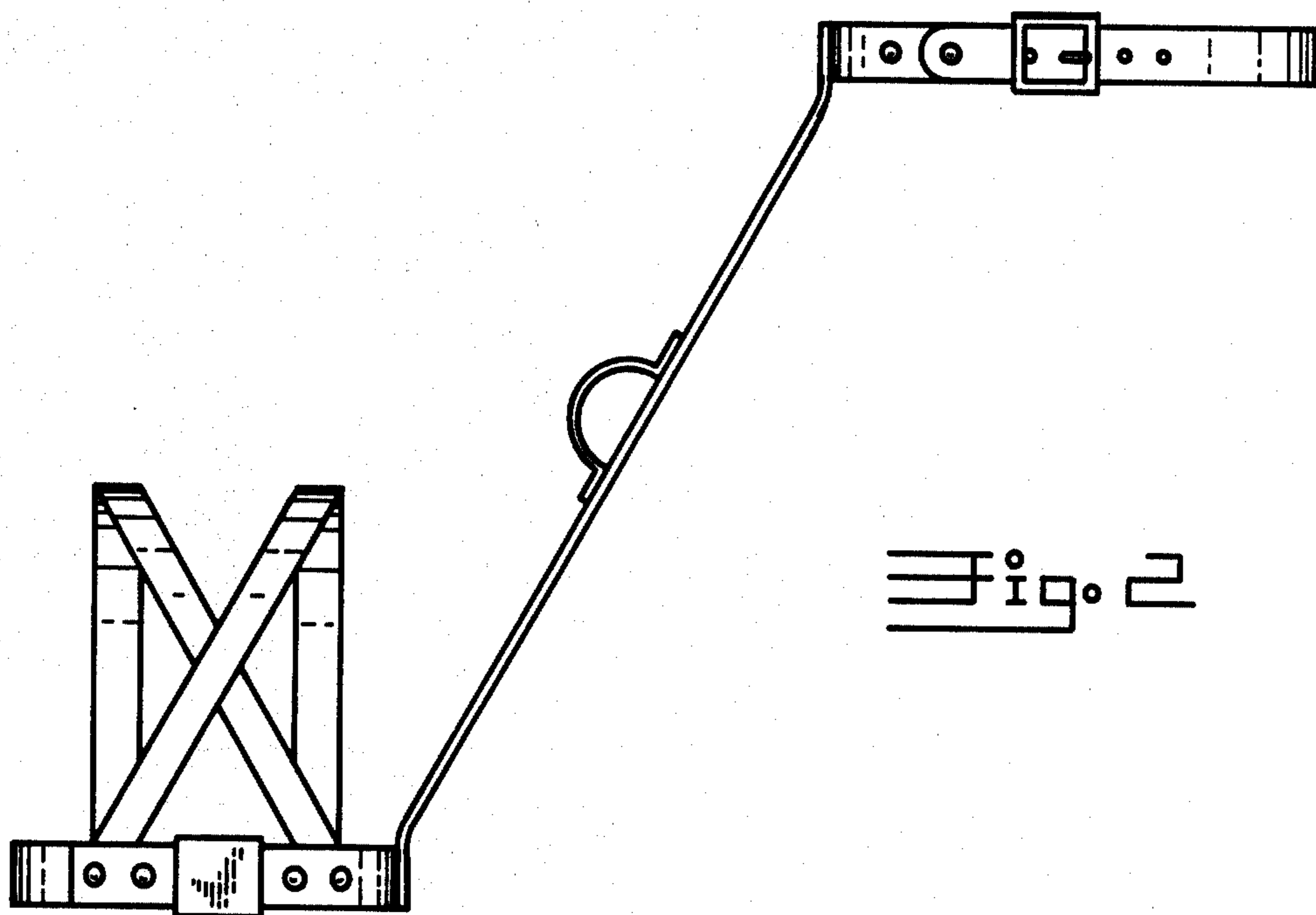


Fig. 2