

[54] SPOTLIGHT

[76] Inventor: Maer Skegin, 1411 N. Poinsettia Pl. #206, Los Angeles, Calif. 90046

[\*\*] Term: 14 Years

[21] Appl. No.: 926,410

[22] Filed: Nov. 3, 1986

[52] U.S. Cl. .... D26/63

[58] Field of Search ..... D26/24, 61-66; 362/269, 275, 285, 291, 310, 311, 362, 418, 427

[56] References Cited

U.S. PATENT DOCUMENTS

- D. 246,677 12/1977 Nigg ..... D26/65
- D. 281,538 11/1985 Wang ..... D26/64
- D. 291,602 8/1987 Dacanay ..... D26/63
- 2,307,301 1/1943 Richardson ..... D26/61 X
- 3,116,022 12/1963 Davis ..... D26/63 X

OTHER PUBLICATIONS

Capri Low Voltage Lighting catalog, ©1981, p. 8, Cool-Lite Lamp.

Capri Lighting Low Voltage & Track Lighting catalog ©1984, p. 26, "Soft Squares", Lamp KV516.

Primary Examiner—Susan J. Lucas  
Attorney, Agent, or Firm—Natan Epstein

[57] CLAIM

The ornamental design for spotlight, as shown and described.

DESCRIPTION

FIG. 1 is a perspective view of a spotlight showing my new design;

FIG. 2 is a right hand side elevational view thereof, the left hand side being a mirror image;

FIG. 3 is a rear elevational view thereof;

FIG. 4 is a bottom plan view thereof;

FIG. 5 is a perspective view of a second embodiment of my new design;

FIG. 6 is a right hand side elevational view thereof, the left hand side being a mirror image;

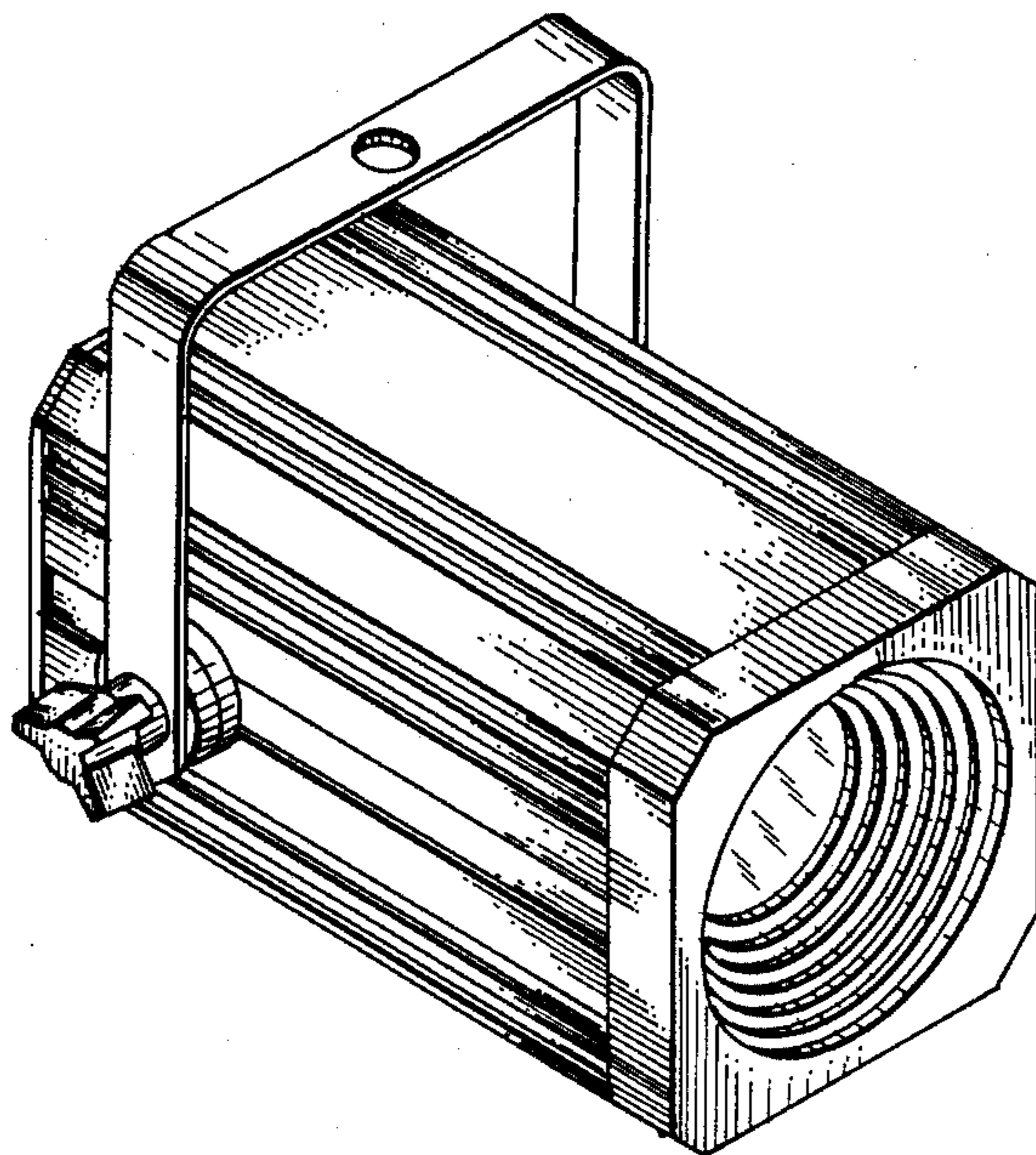
FIG. 7 is a rear elevational view thereof;

FIG. 8 is a bottom plan view thereof;

FIG. 9 is a perspective view of a third embodiment of my new design, the opposite side being a mirror image and the bottom surface of the housing being identical to the top except for the support;

FIG. 10 is a perspective view of a fourth embodiment of my new design, the opposite side being a mirror image and the bottom surface being identical to the top except for the support.

The rear surfaces of the housings of the third and fourth embodiments are identical to those of the first and second as shown in FIGS. 3 and 7. The rear surfaces of the shades of the fourth embodiment are identical to the front surfaces shown in the figures.



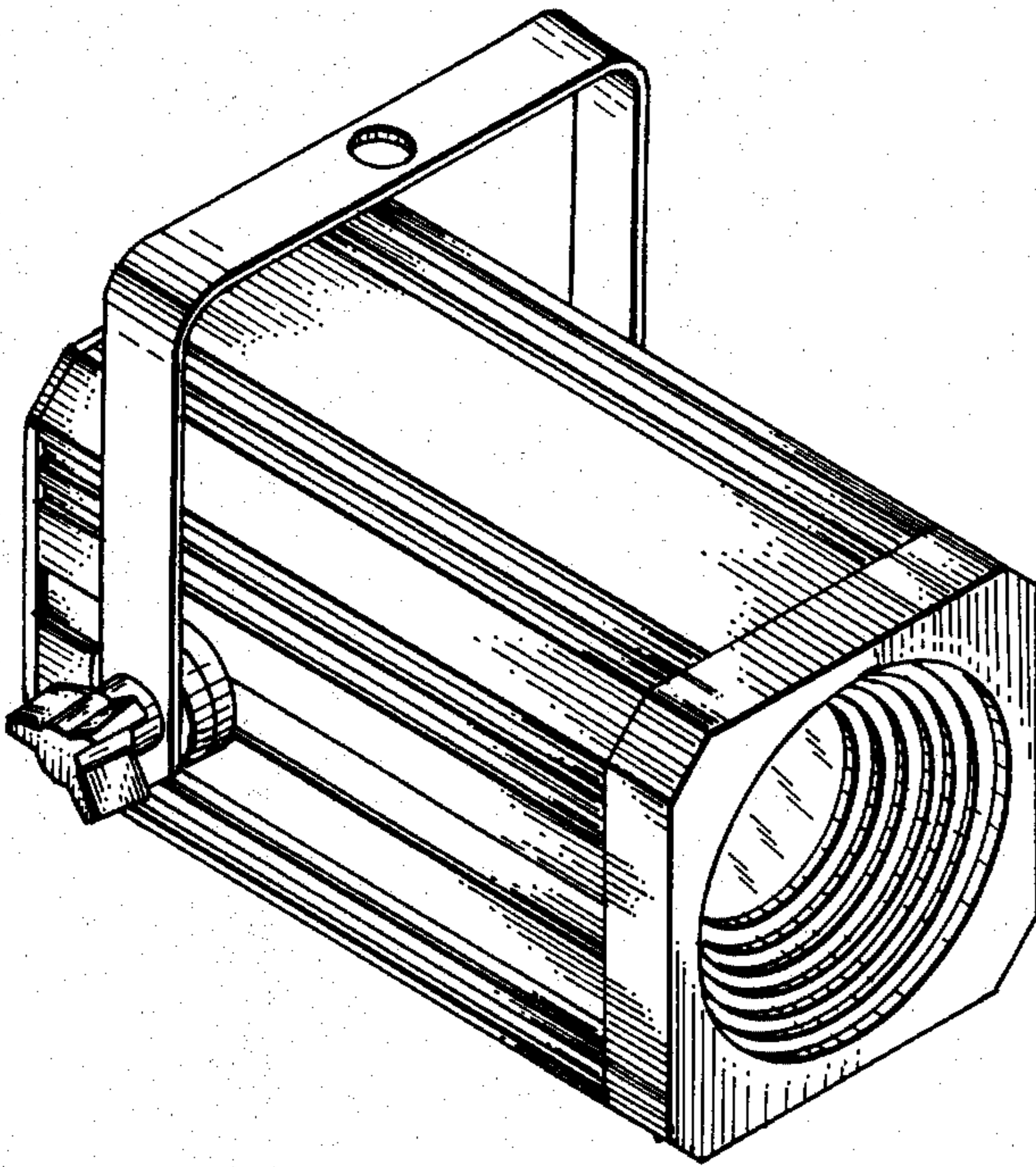


Fig. 1

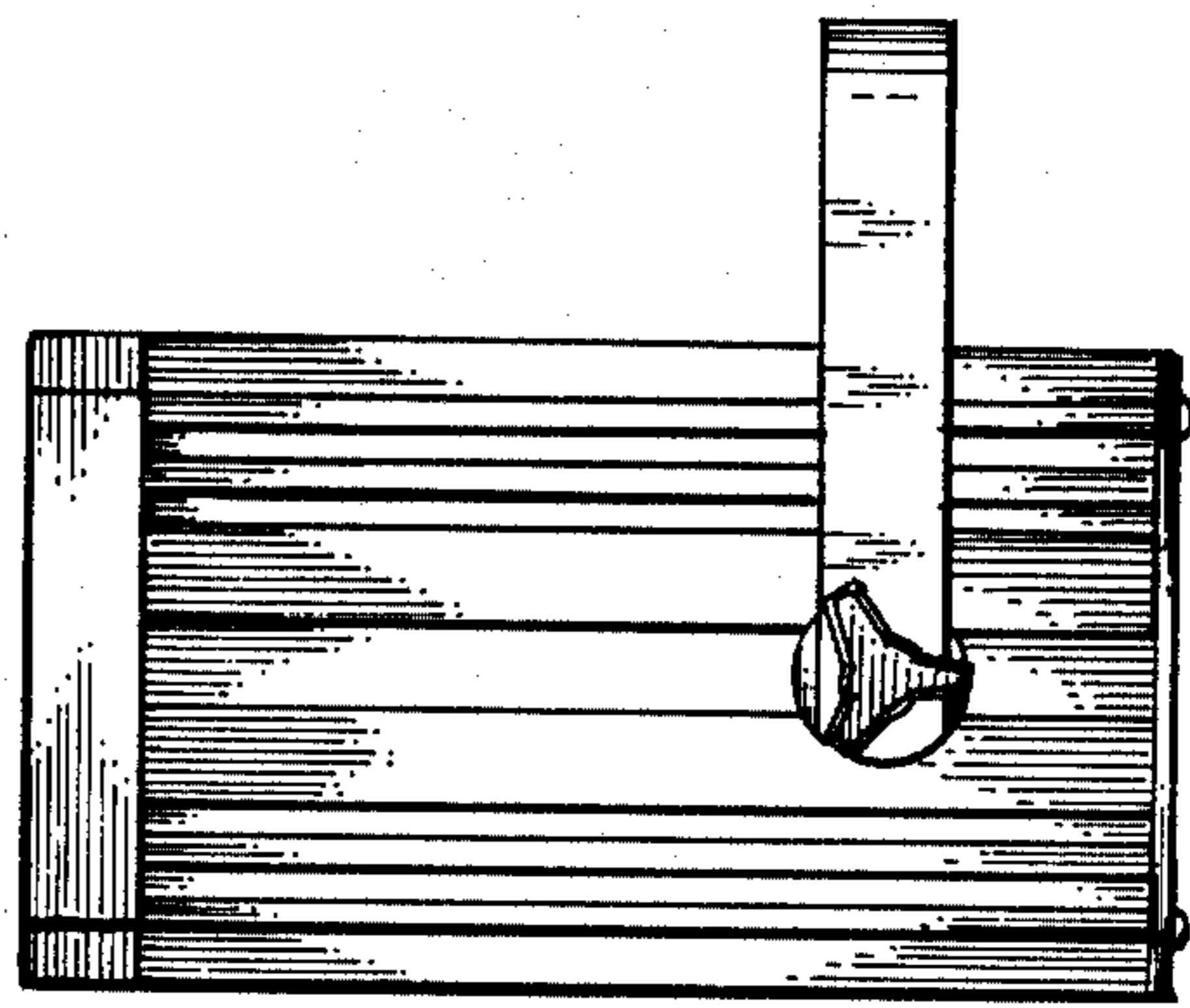


Fig. 2

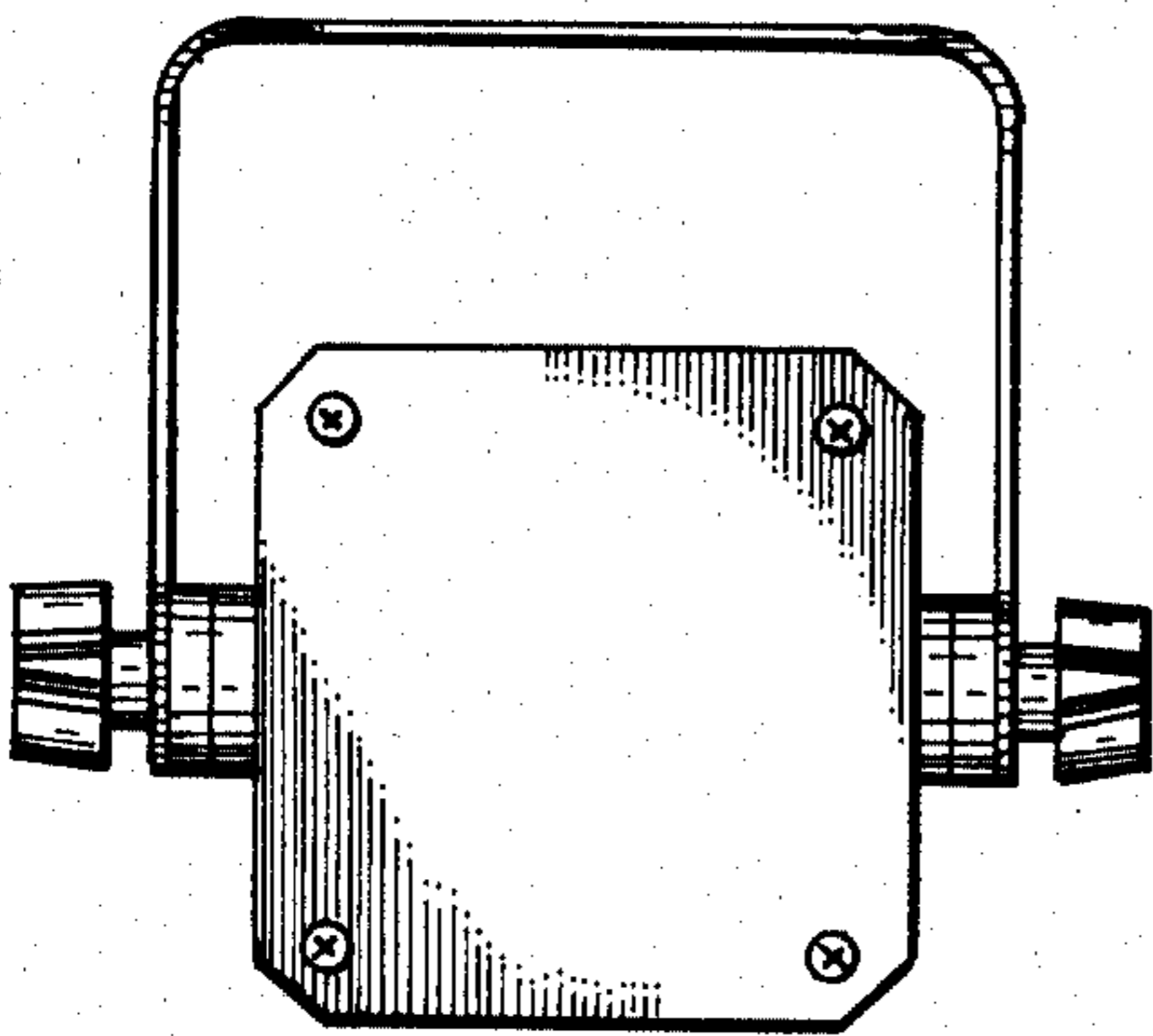


Fig. 3

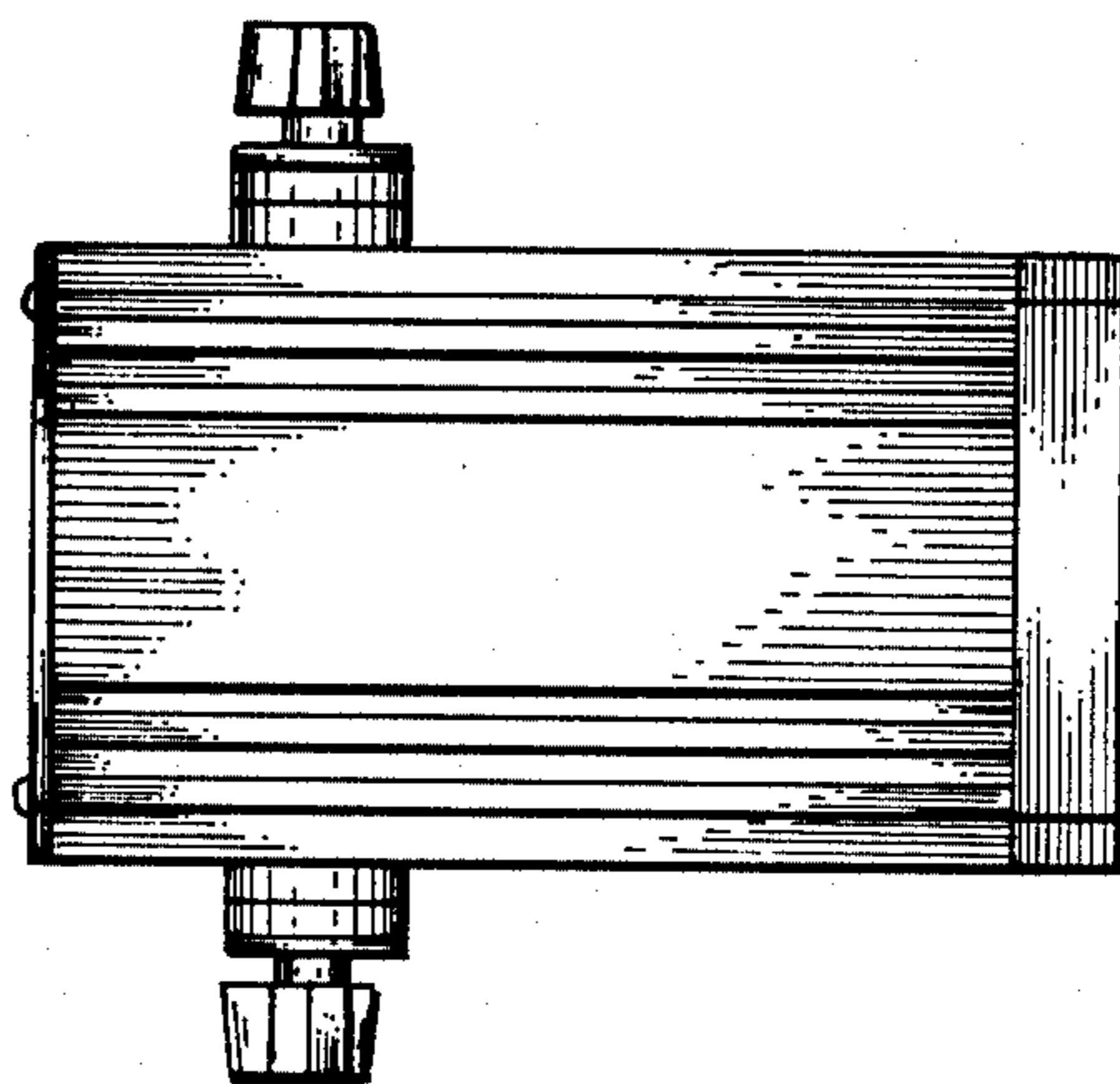


Fig. 4

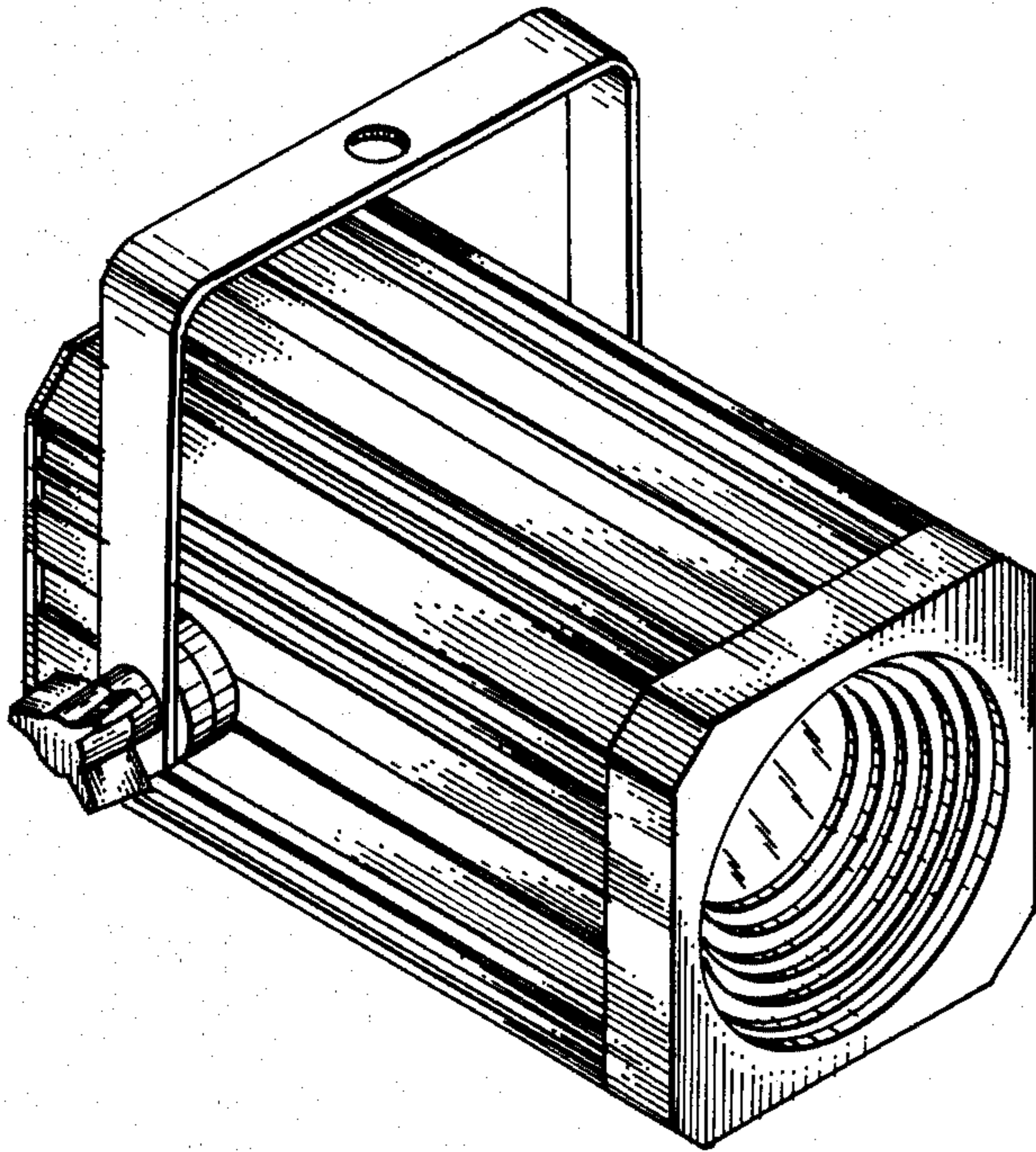


Fig. 5

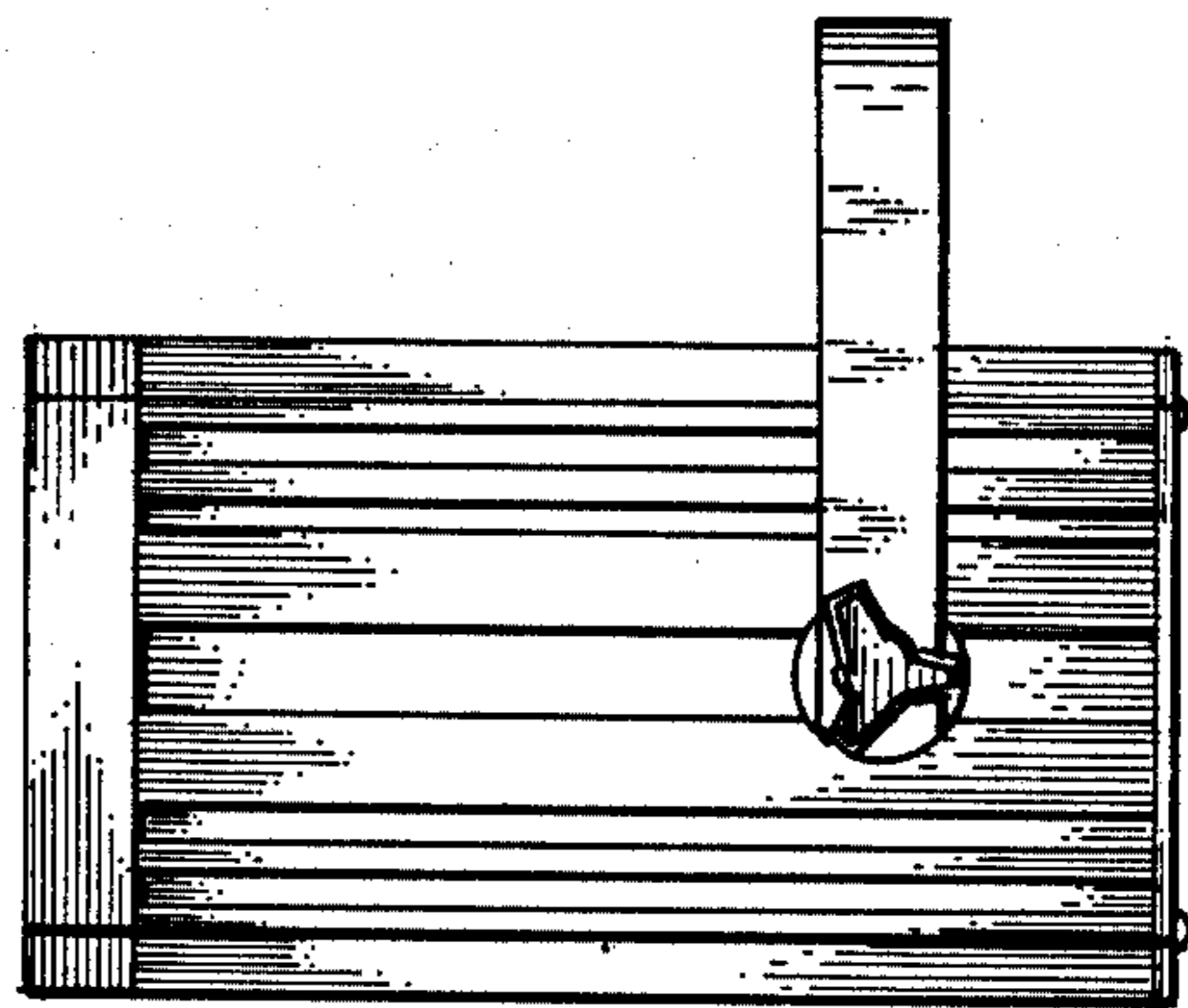


Fig. 6

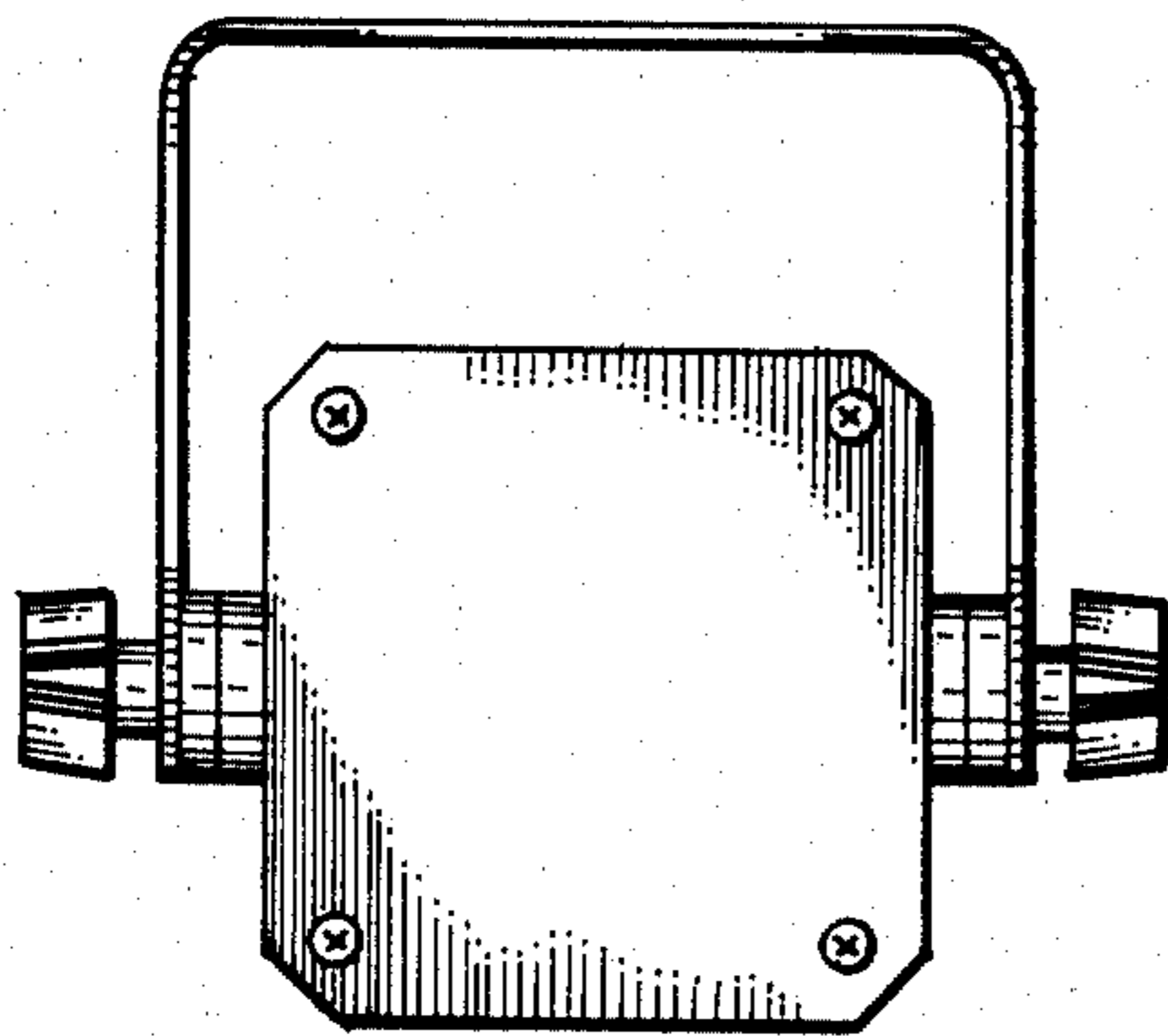


Fig. 7

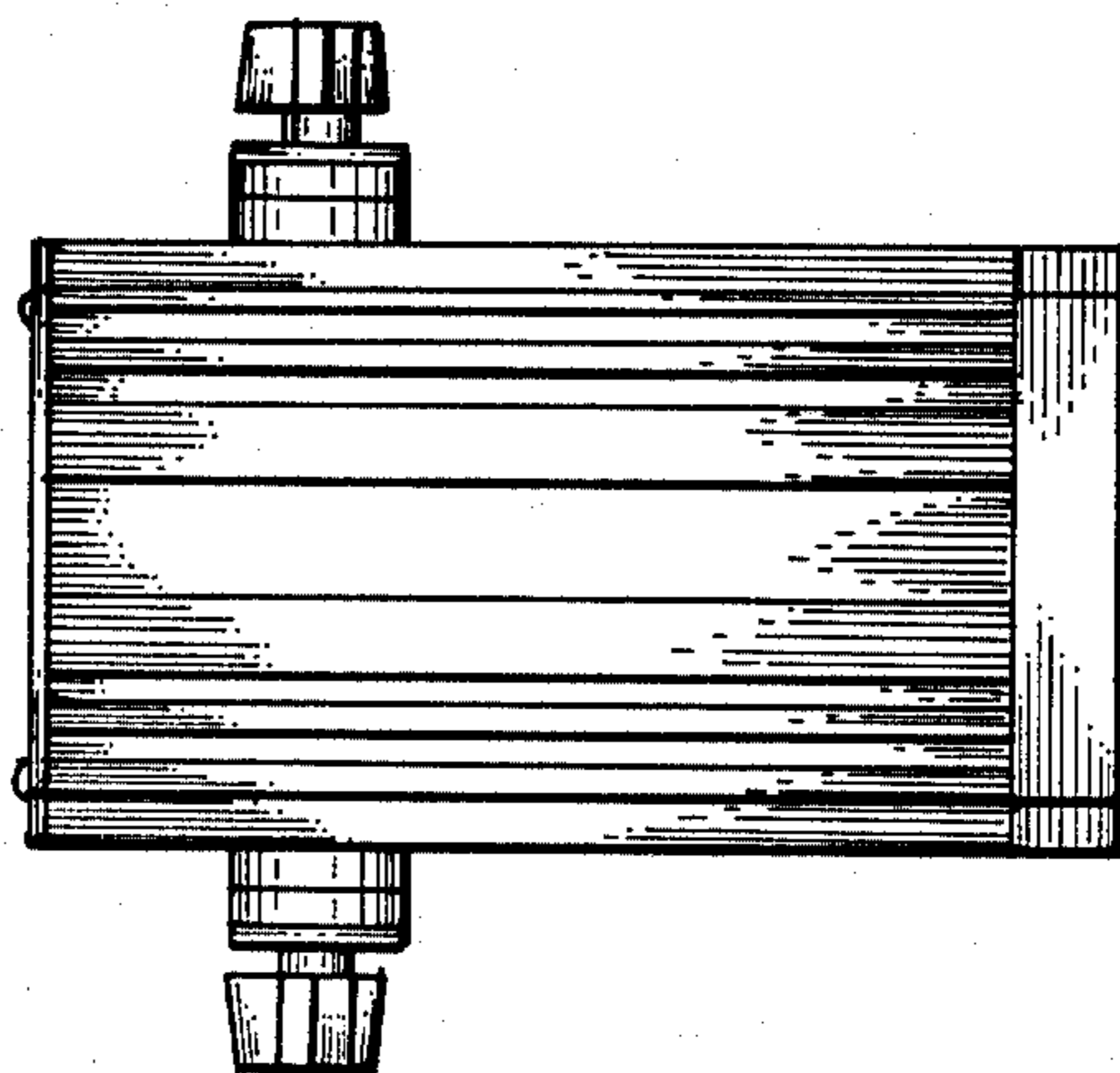


Fig. 8

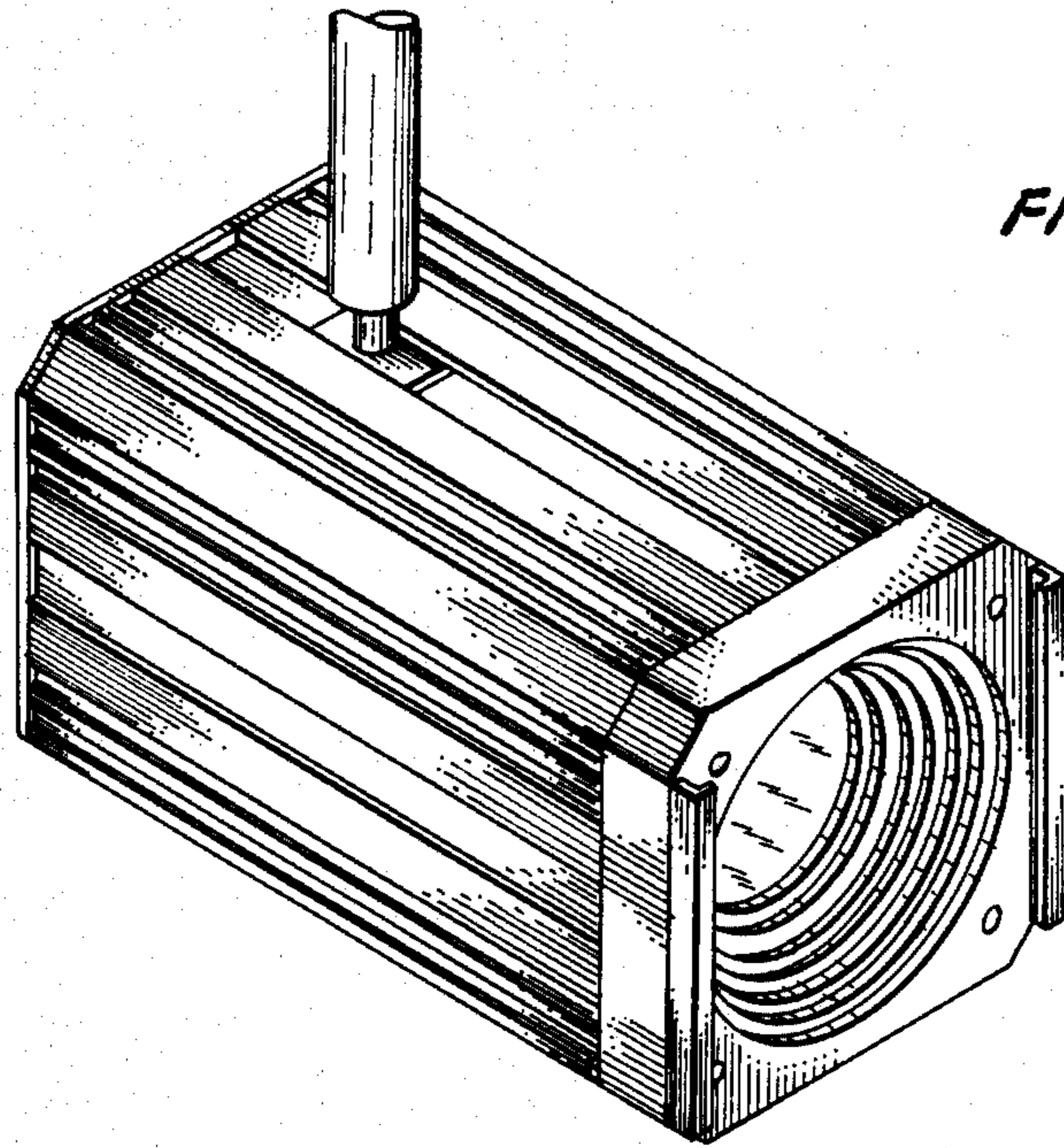


Fig. 9

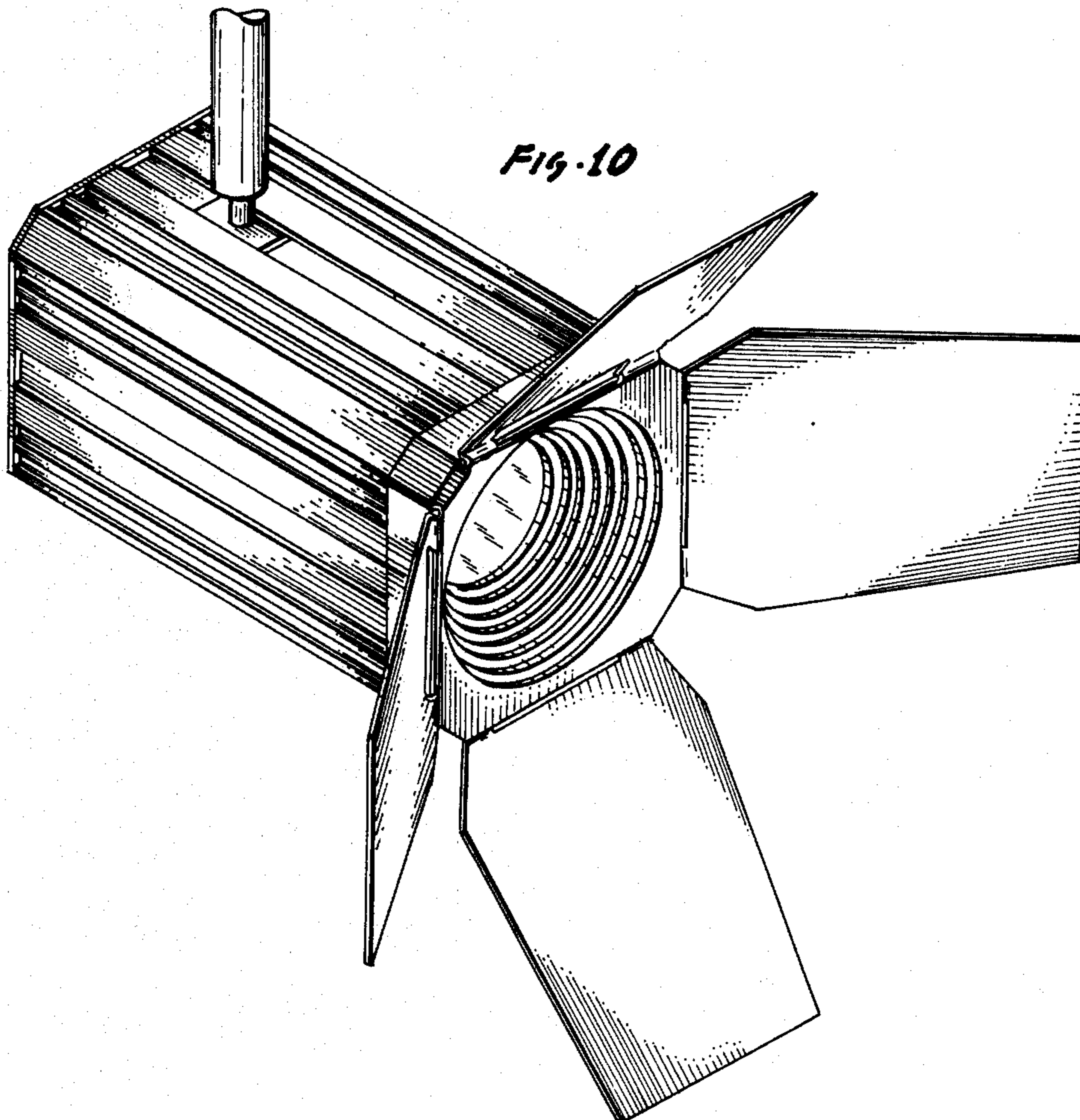


Fig. 10