

[54] ADJUSTABLE FLOODLIGHT

[75] Inventor: Daniel Douenias, Kings Point, N.Y.

[73] Assignee: Gim Metal Products, Inc.

[\*\*] Term: 14 Years

[21] Appl. No.: 872,747

[22] Filed: Jun. 9, 1986

[52] U.S. Cl. .... D26/63

[58] Field of Search ..... D26/24, 61-66;  
362/269, 275, 285, 291, 310, 311, 362, 418, 427,  
413

[56] References Cited

U.S. PATENT DOCUMENTS

D. 226,020	1/1973	Anderson et al. ....	D26/63
D. 254,094	1/1980	Jaksich .....	D26/63
D. 269,913	7/1983	Johnson et al. ....	D26/63
4,556,936	12/1985	Snow .....	362/269 X

Primary Examiner—Susan J. Lucas  
Attorney, Agent, or Firm—Wolder, Gross & Yavner

[57] CLAIM

The ornamental design for an adjustable floodlight, as shown and described.

DESCRIPTION

FIG. 1 is a top, rear perspective view of an adjustable floodlight showing my new design;  
 FIG. 2 is a top plan view thereof on an enlarged scale;  
 FIG. 3 is a rear elevational view thereof on an enlarged scale;  
 FIG. 4 is a right hand side elevational view thereof on an enlarged scale;  
 FIG. 5 is a front elevational view thereof on an enlarged scale;  
 FIG. 6 is a bottom plan view thereof on an enlarged scale;  
 FIG. 7 is a top, rear perspective view of a second embodiment of my new design;  
 FIG. 8 is a top plan view thereof on an enlarged scale;  
 FIG. 9 is a rear elevational view thereof on an enlarged scale;  
 FIG. 10 is a right hand side elevational view thereof on an enlarged scale;  
 FIG. 11 is a front elevational view thereof on an enlarged scale;  
 FIG. 12 is a bottom plan view thereof on an enlarged scale.  
 FIG. 13 is a left hand side elevational view of my first embodiment on an enlarged scale; and  
 FIG. 14 is a left hand side elevational view of my second embodiment on an enlarged scale.

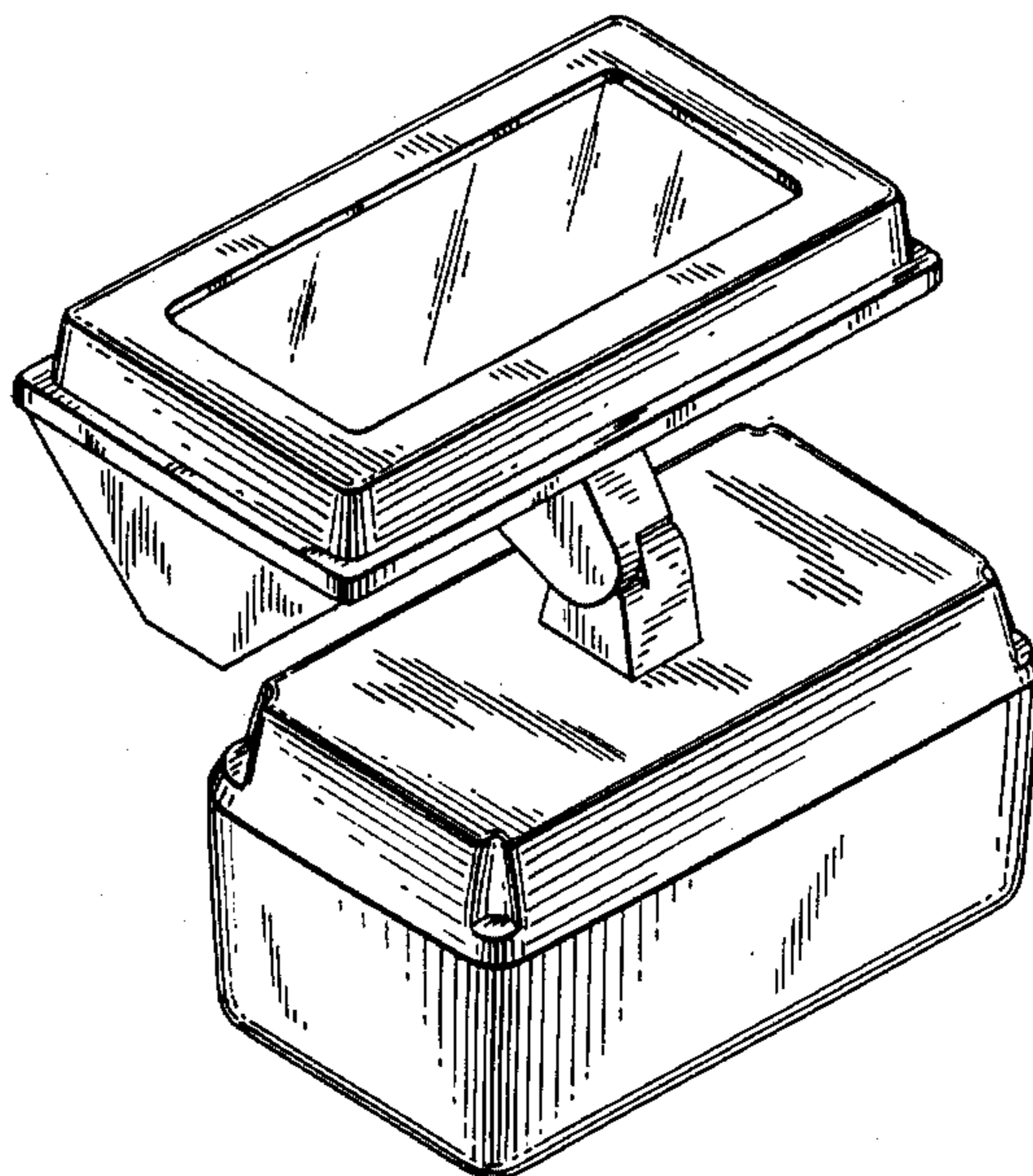


FIG. 1

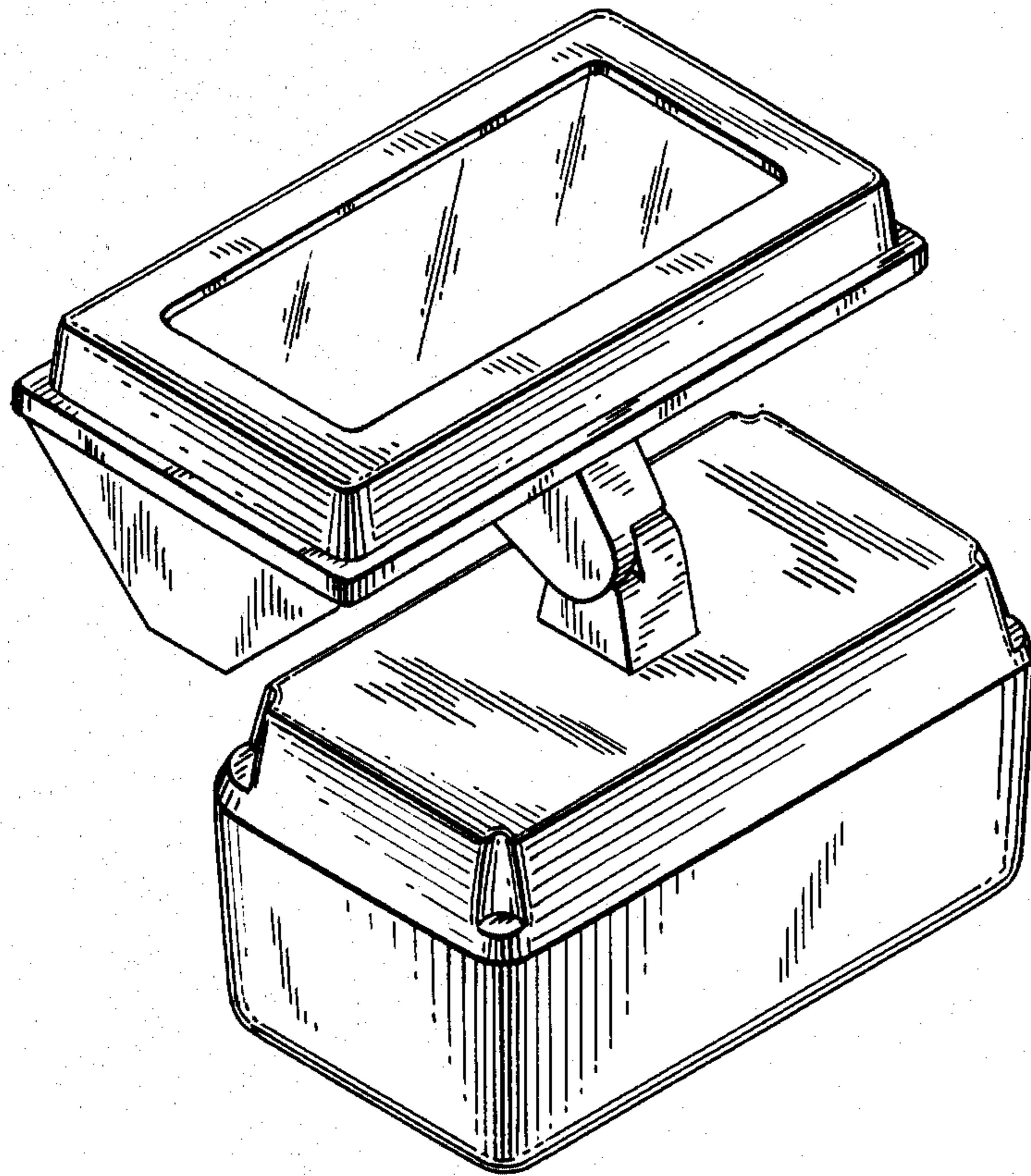


FIG. 2

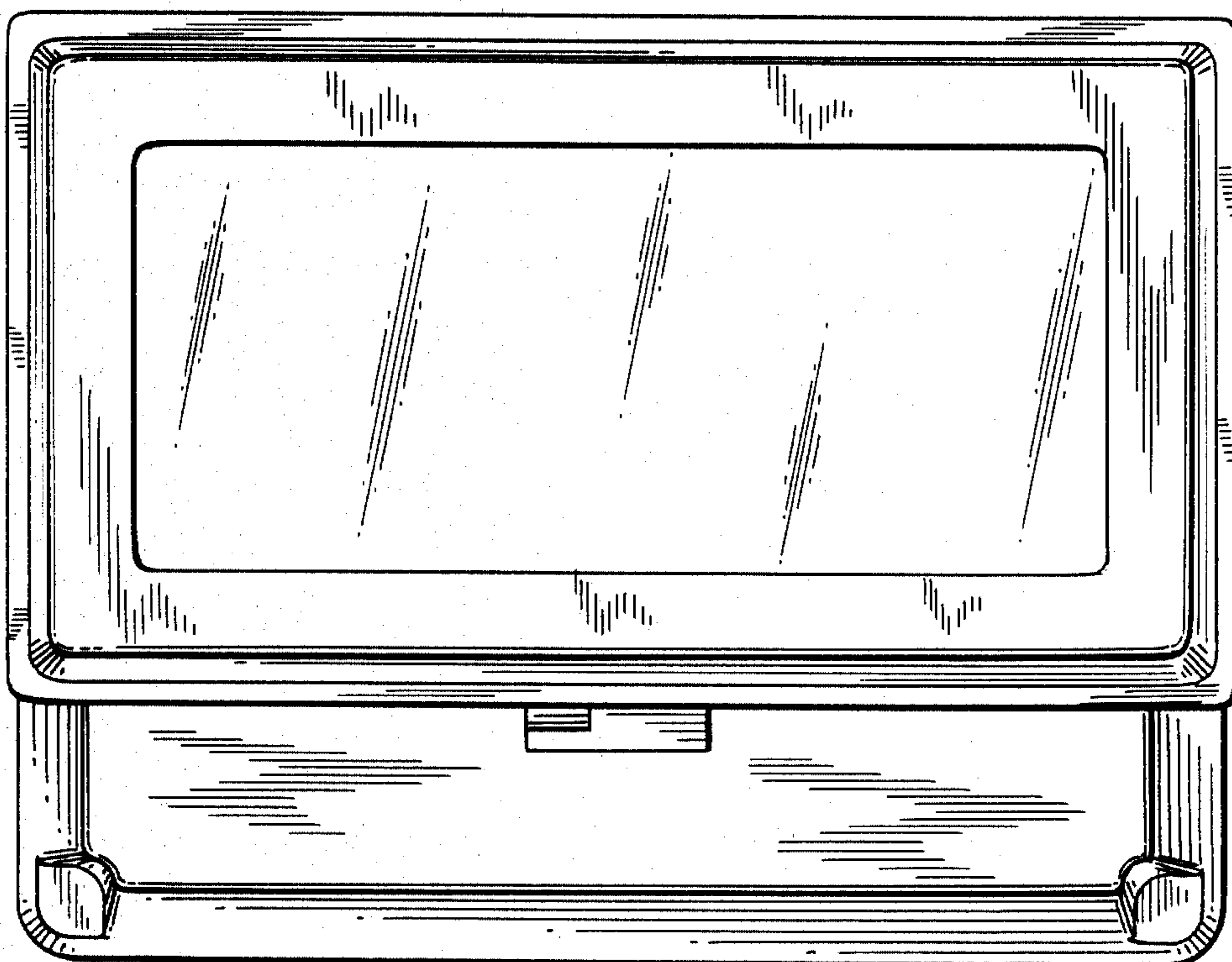




FIG. 4

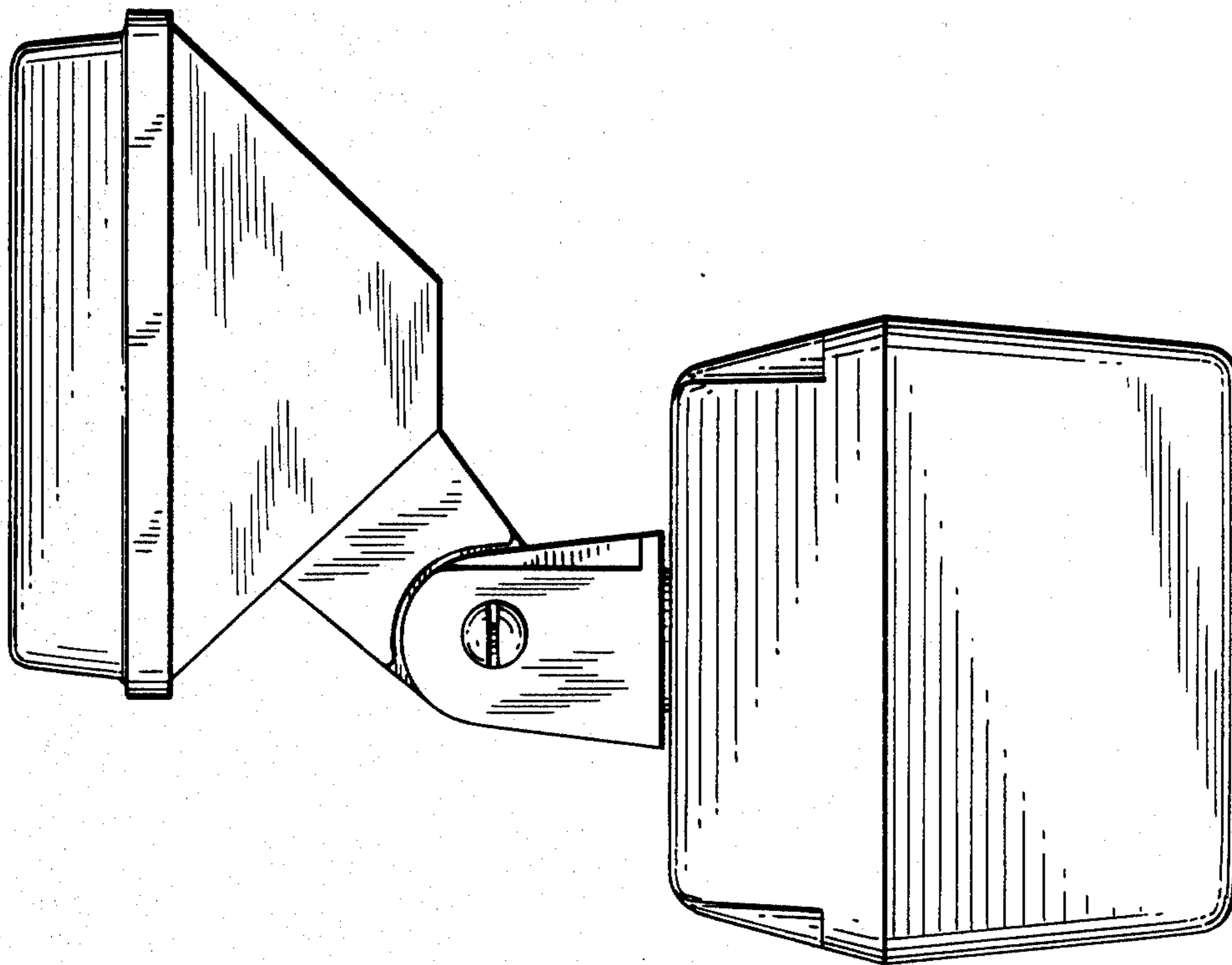
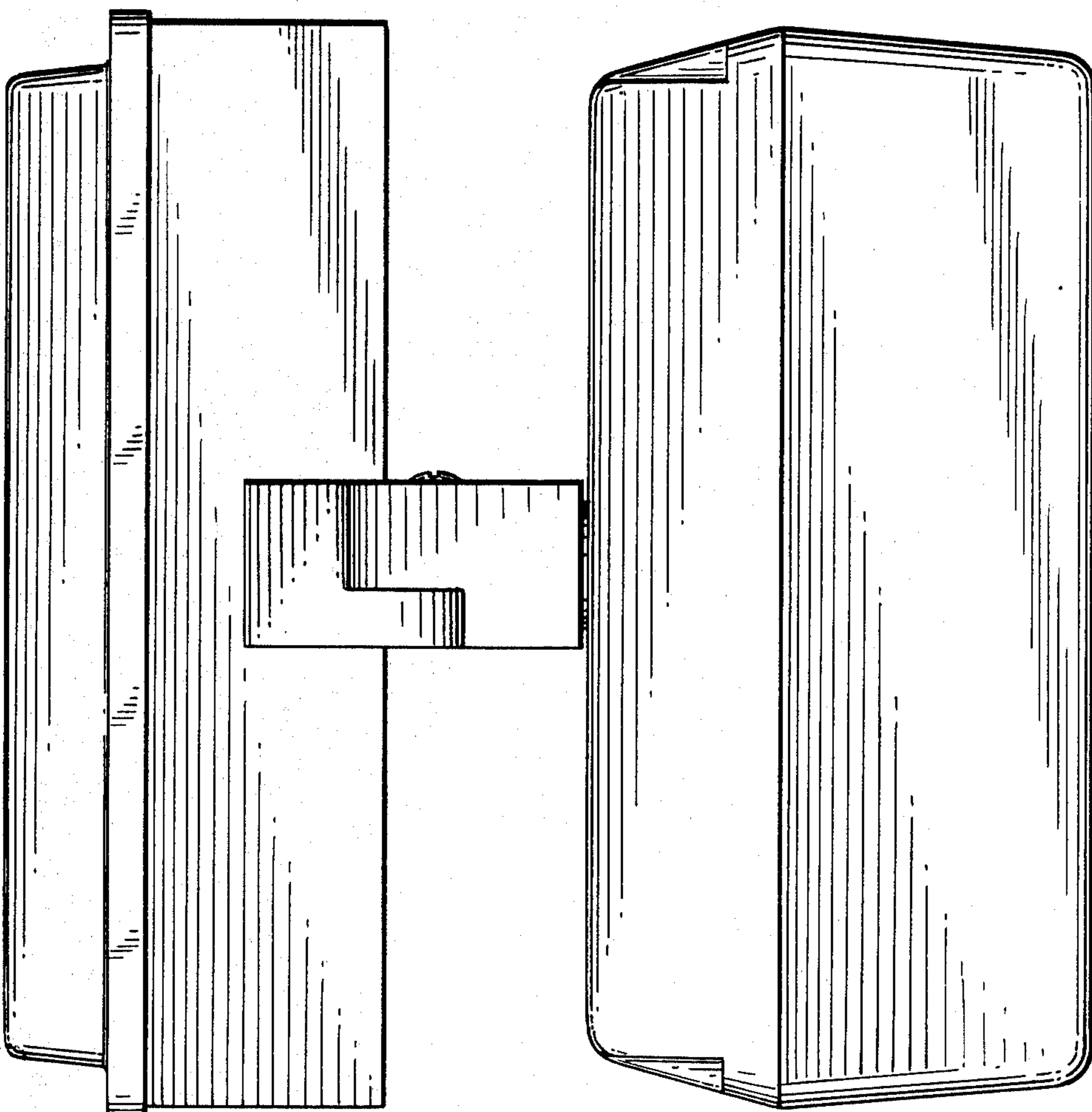


FIG. 3



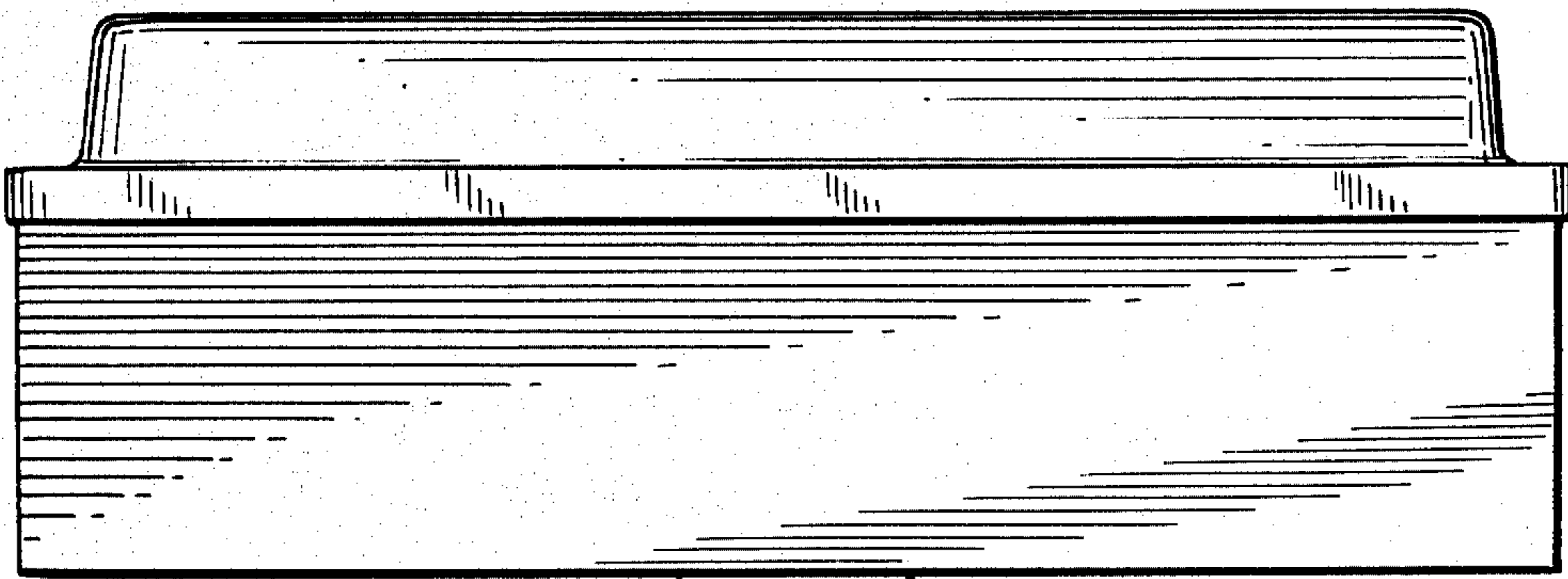


FIG. 5

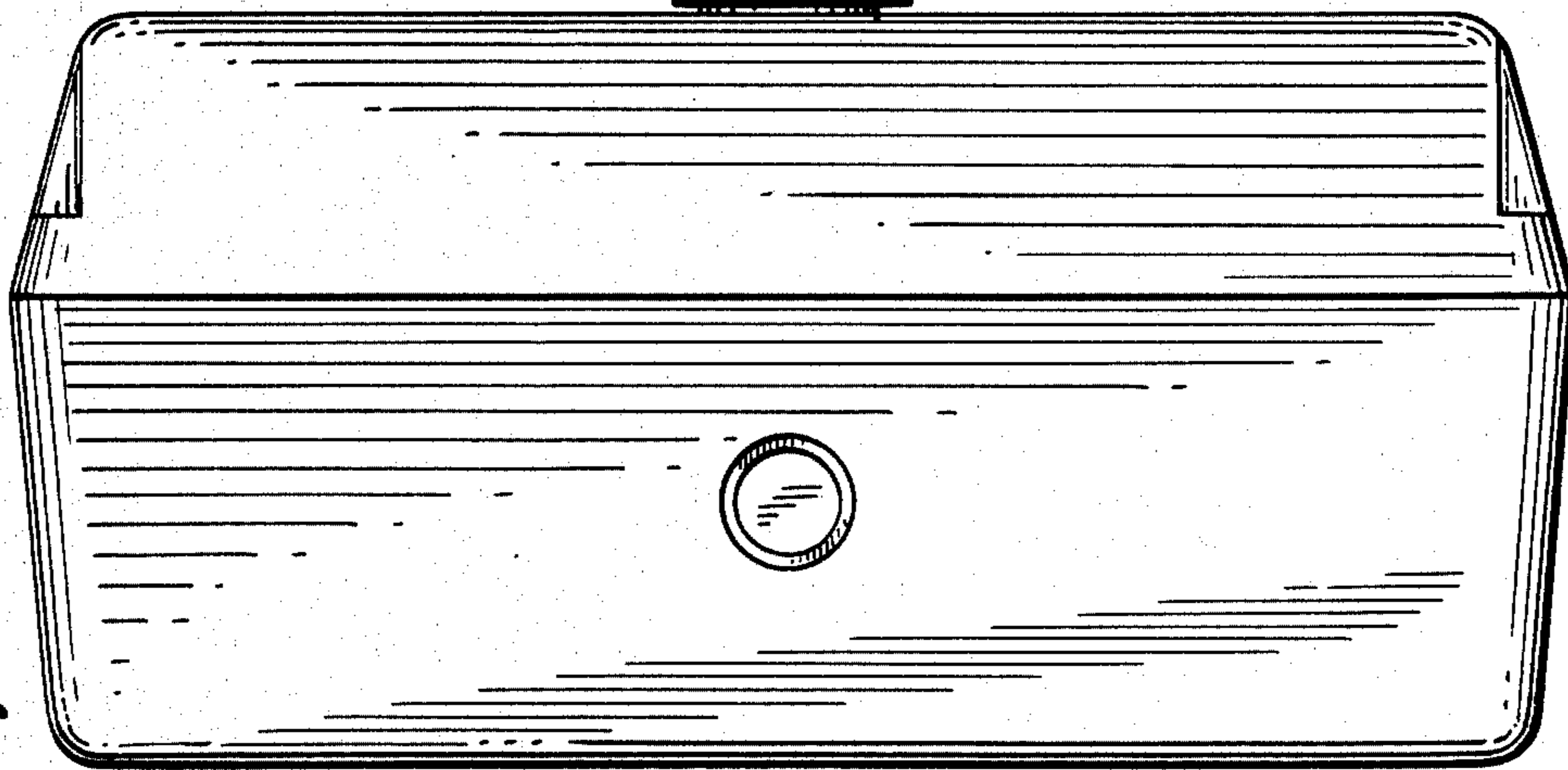
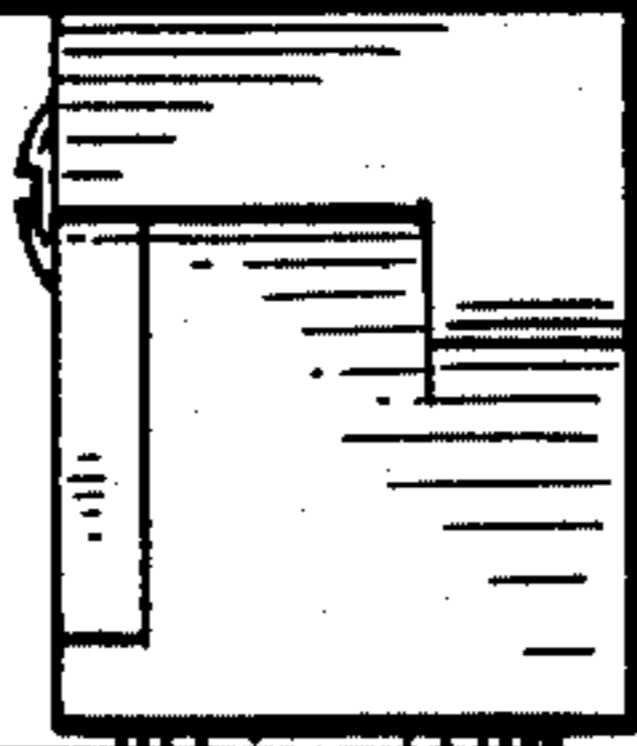
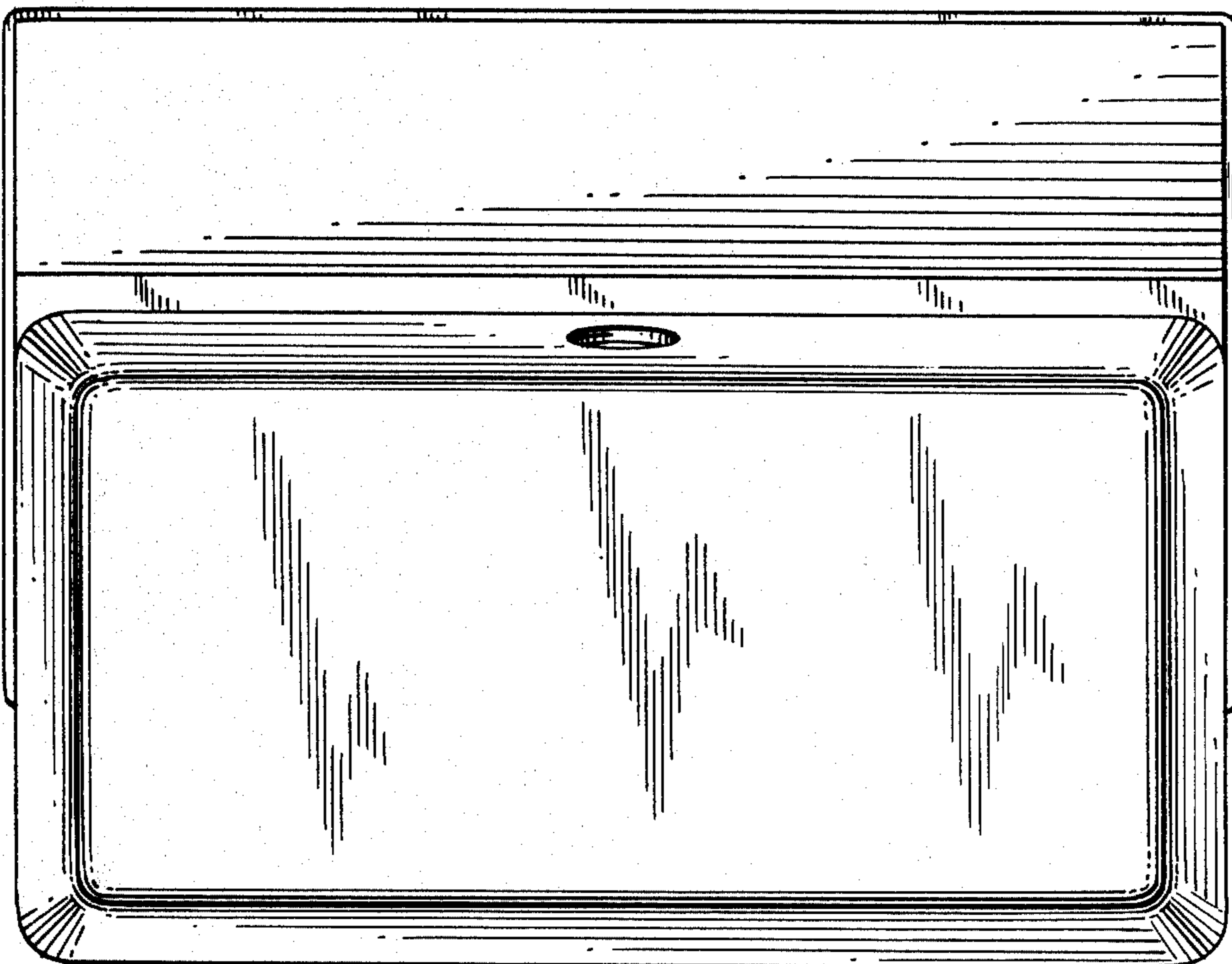


FIG. 6





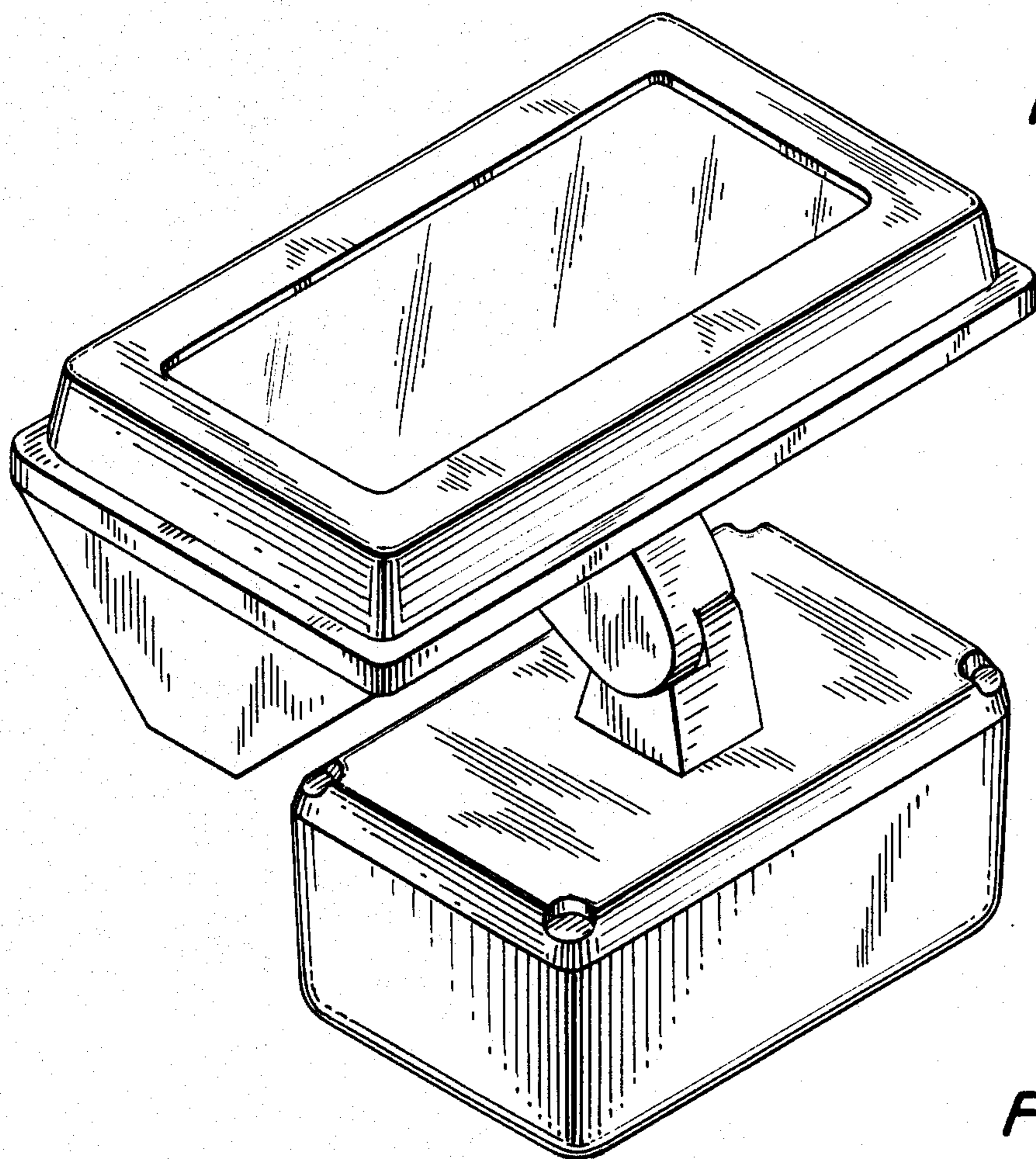


FIG. 7

FIG. 8

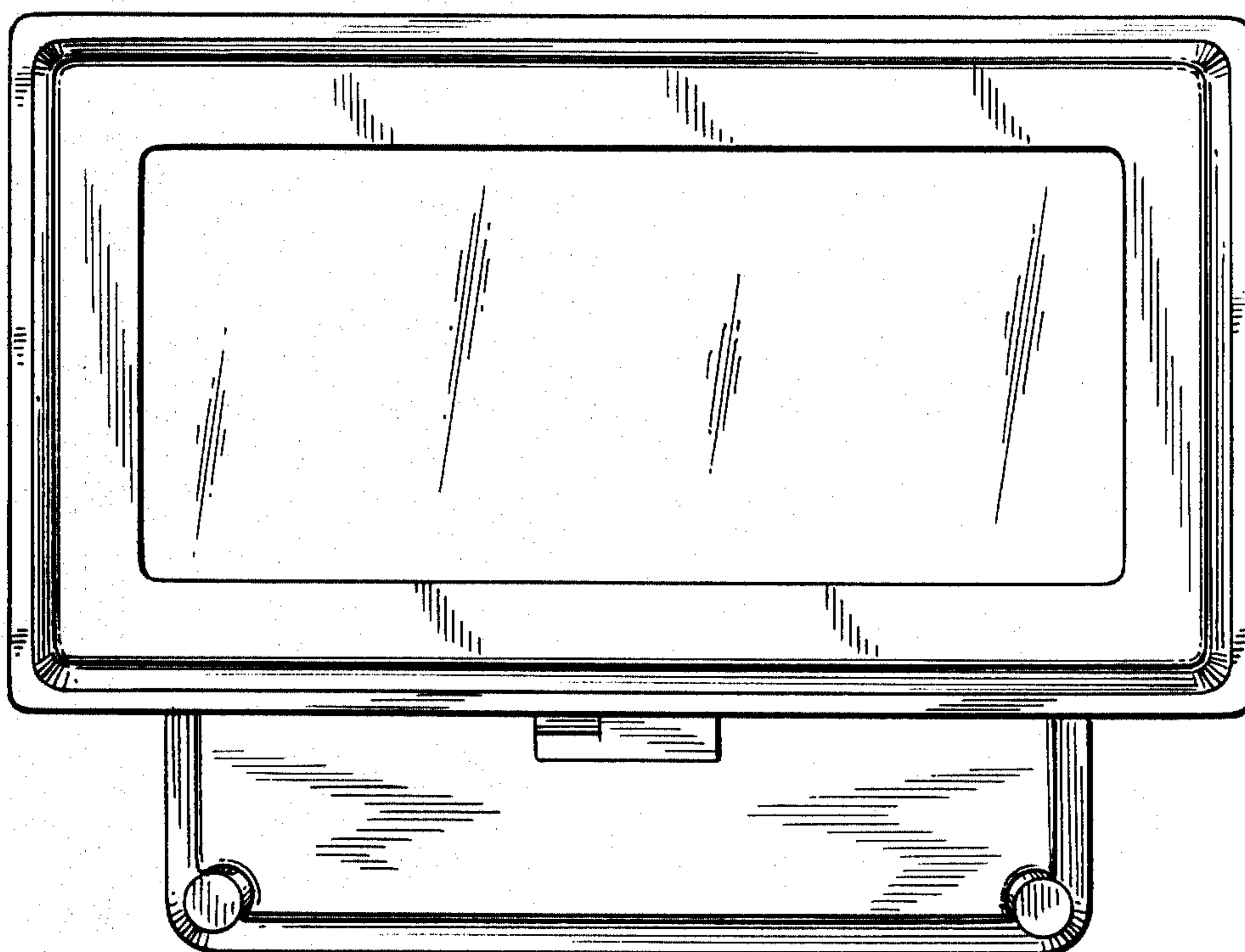


FIG. 10

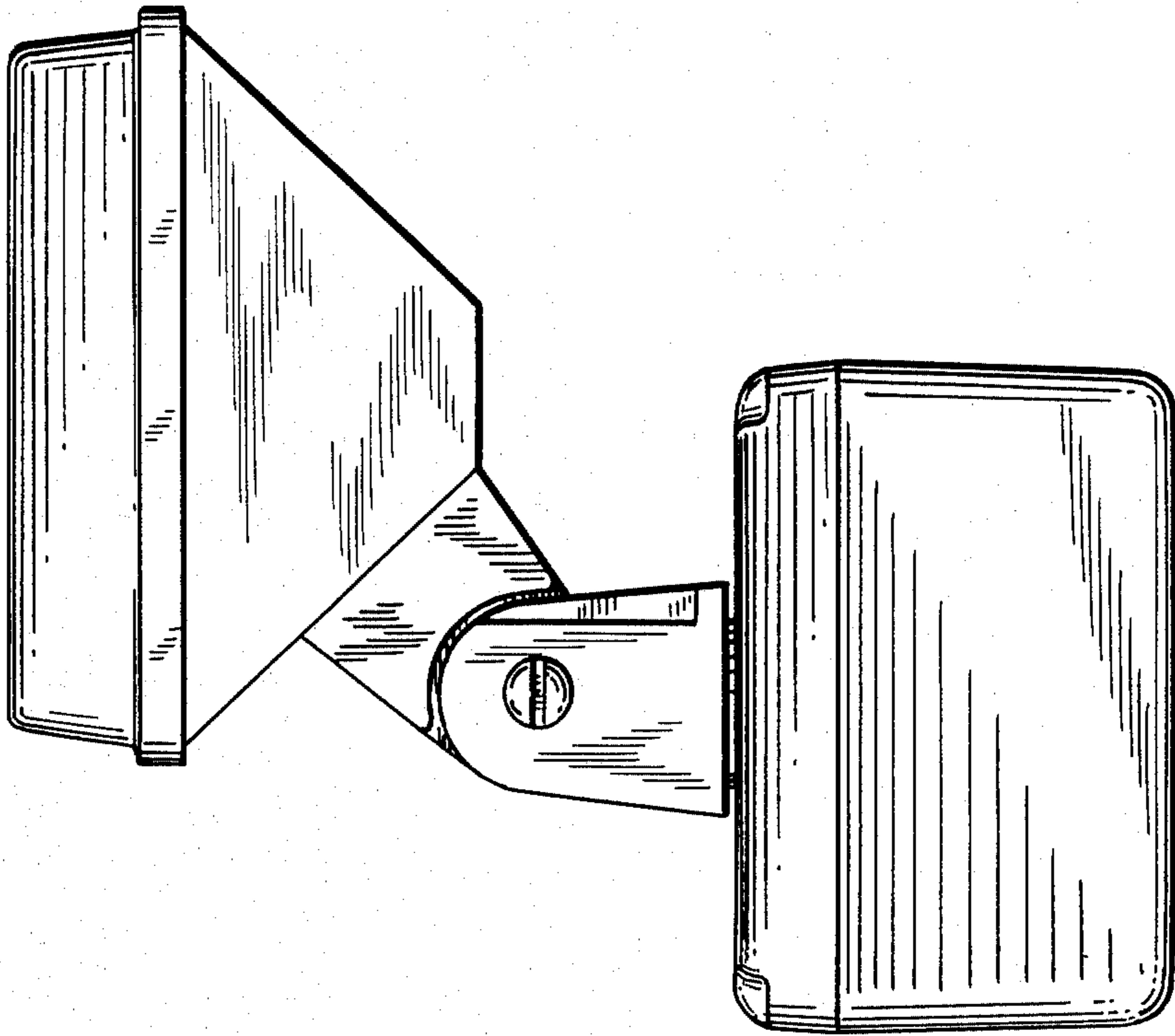


FIG. 9

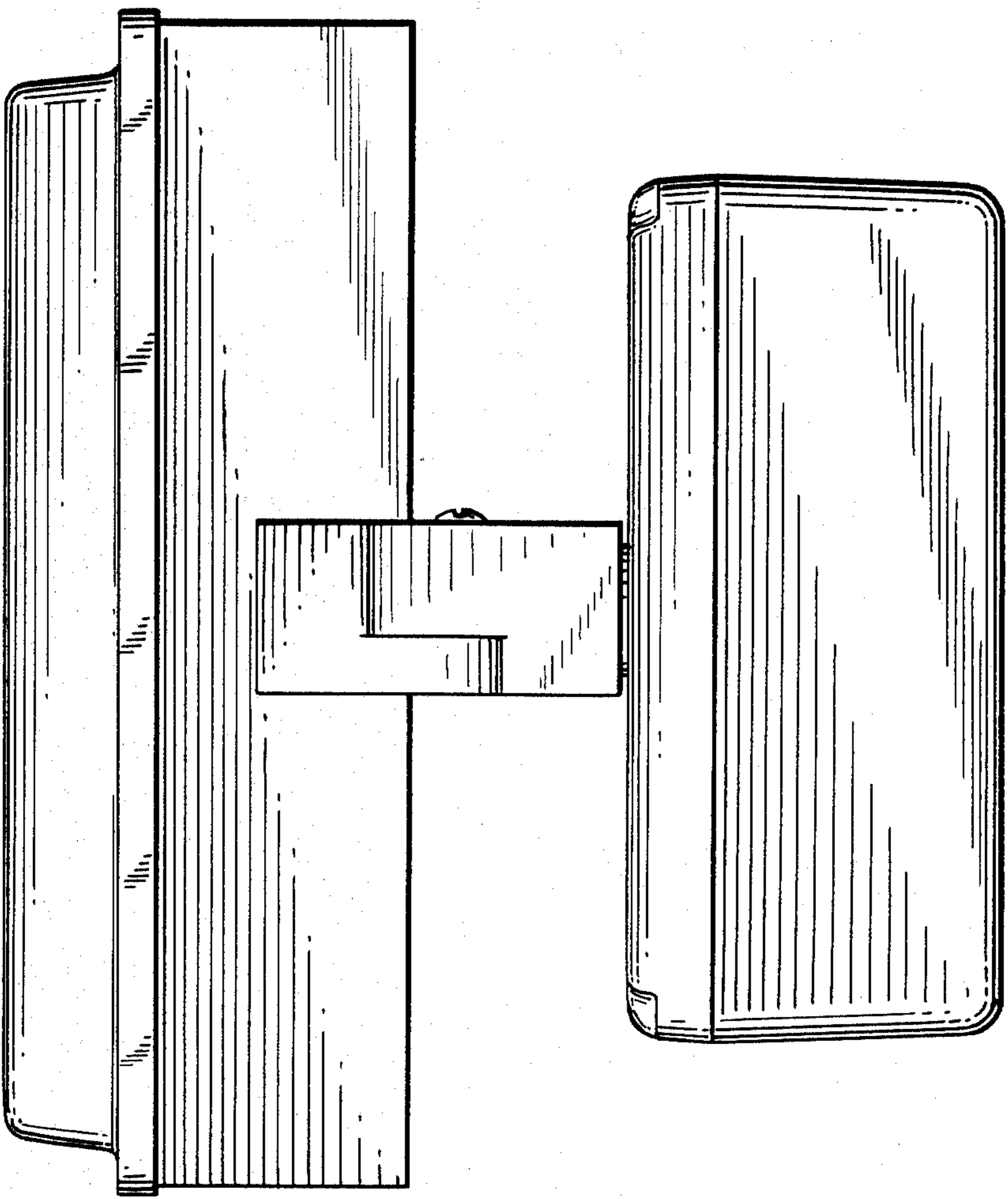


FIG. 11

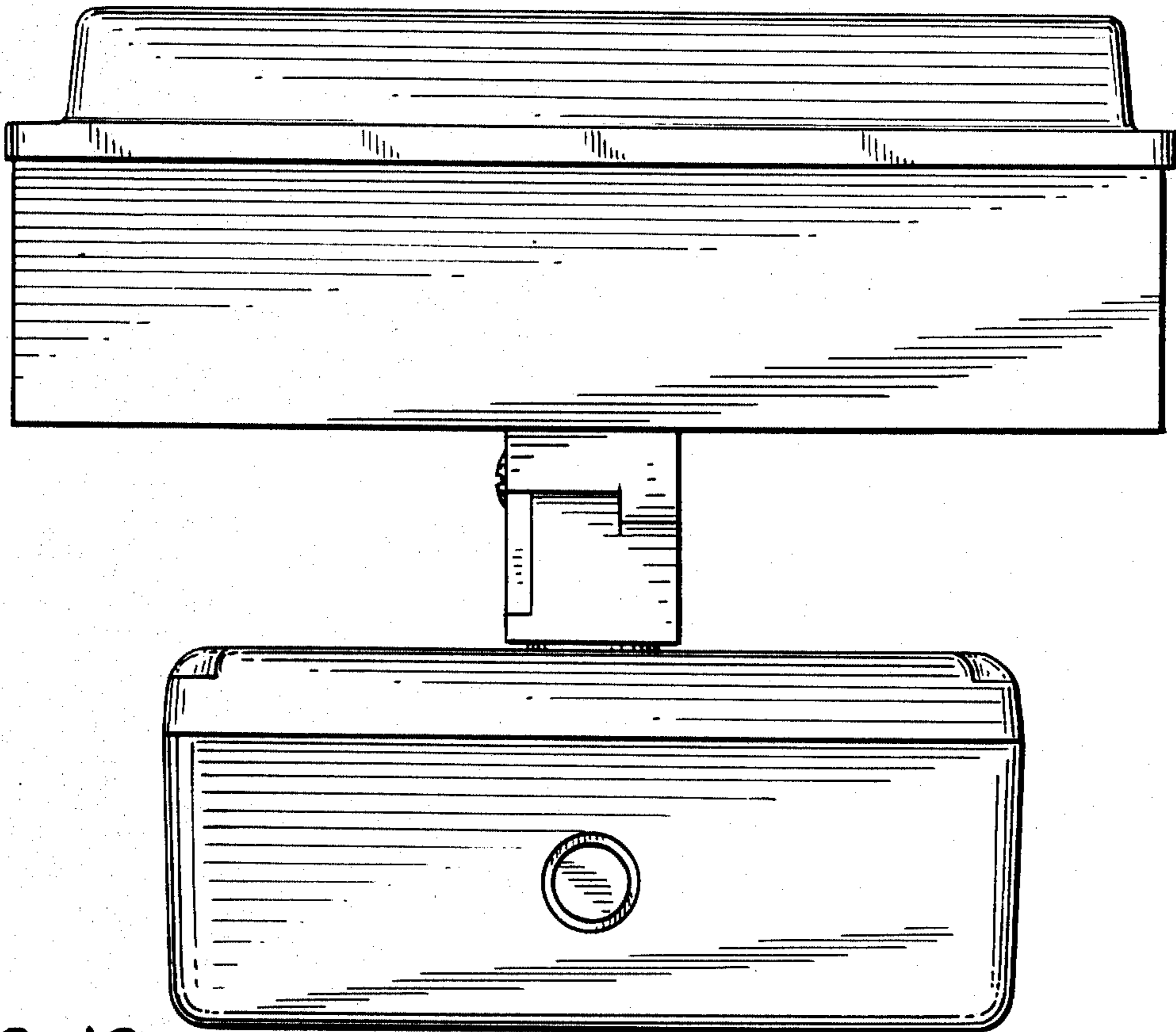


FIG. 12

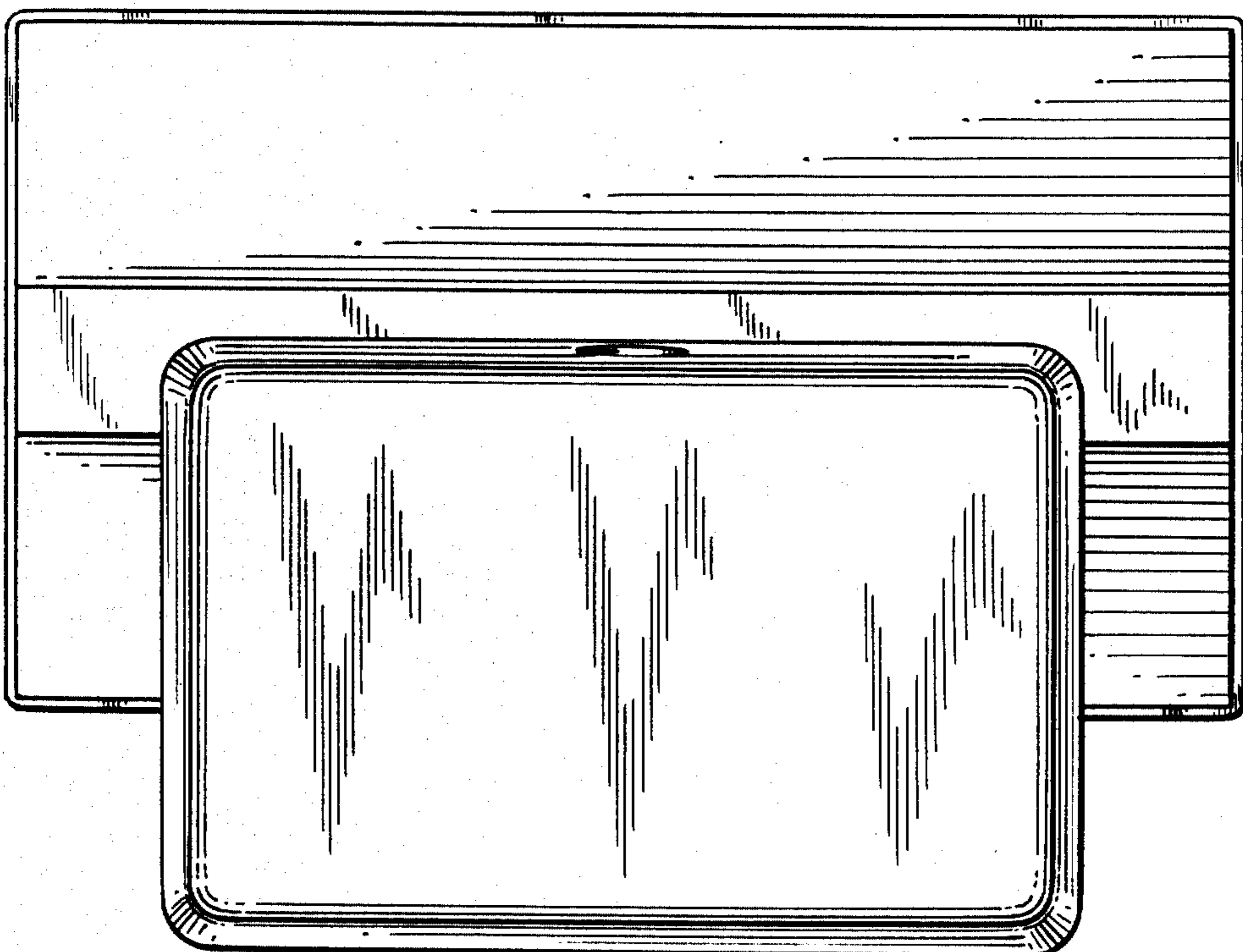




FIG. 14

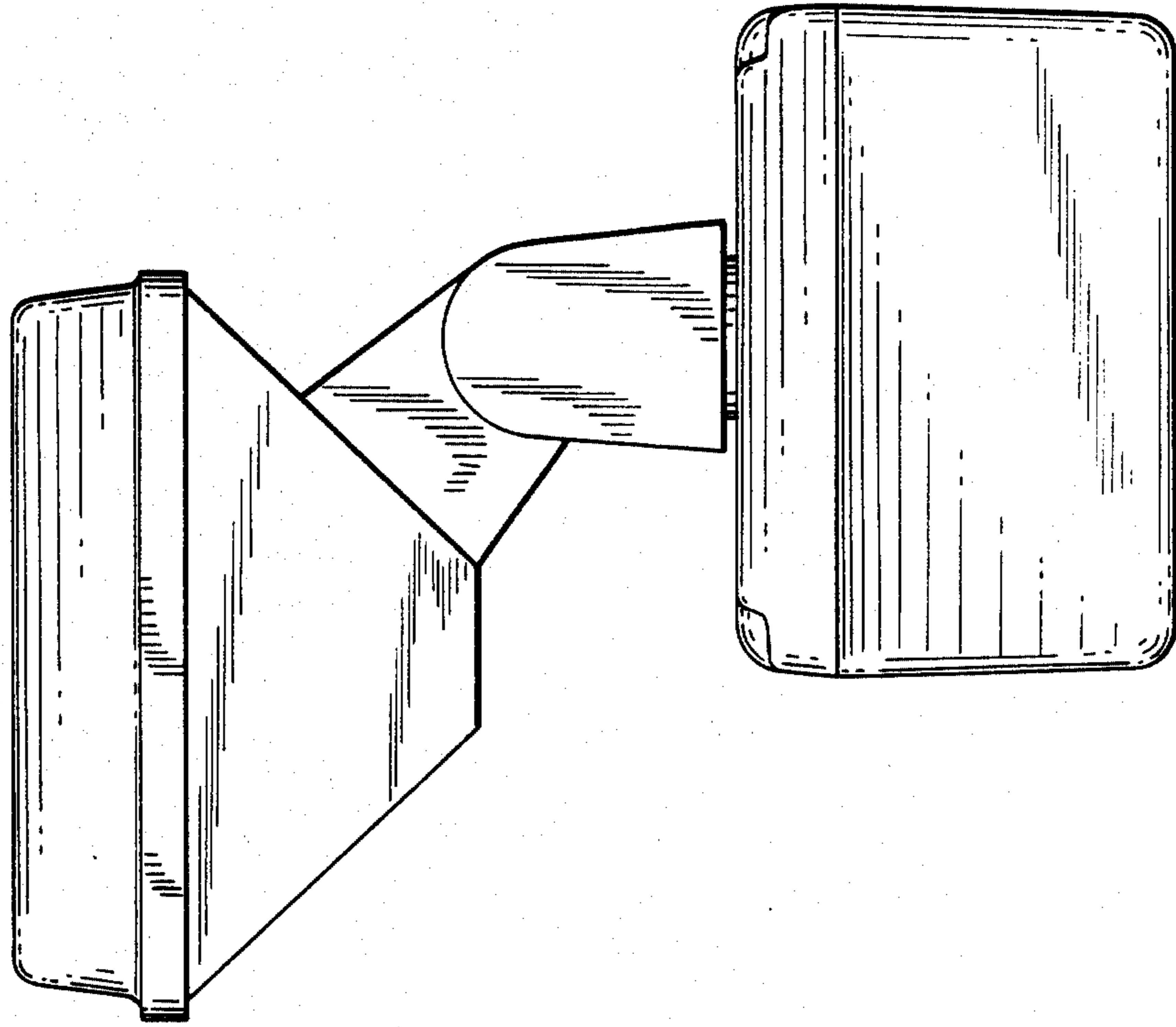


FIG. 13

