

[54] FLASHLIGHT

[75] Inventors: Joseph Rinaldi, Oradell, N.J.;  
Anthony Valentine, Brooklyn, N.Y.

[73] Assignee: Kidde, Inc., Saddle Brook, N.J.

[\*\*] Term: 14 Years

[21] Appl. No.: 898,208

[22] Filed: Aug. 20, 1986

[52] U.S. Cl. .... D26/49

[58] Field of Search ..... D26/37-50;  
362/157, 158, 183-191, 194-208

[56] References Cited

U.S. PATENT DOCUMENTS

D. 233,469	10/1974	Moore	.....	D26/49
D. 283,646	4/1986	Battarel et al.	.....	D26/49
2,949,530	8/1960	Hagen et al.	.....	362/194
3,017,502	1/1962	Dent	.....	D26/49 X
4,398,238	8/1983	Nelson	.....	372/202 X

Primary Examiner—Susan J. Lucas  
Attorney, Agent, or Firm—Darby & Darby

[57] CLAIM

The ornamental design for a flashlight, as shown and described.

DESCRIPTION

FIG. 1 is a top, front perspective view of a flashlight showing our new design;

FIG. 2 is a top plan view thereof on an enlarged scale;

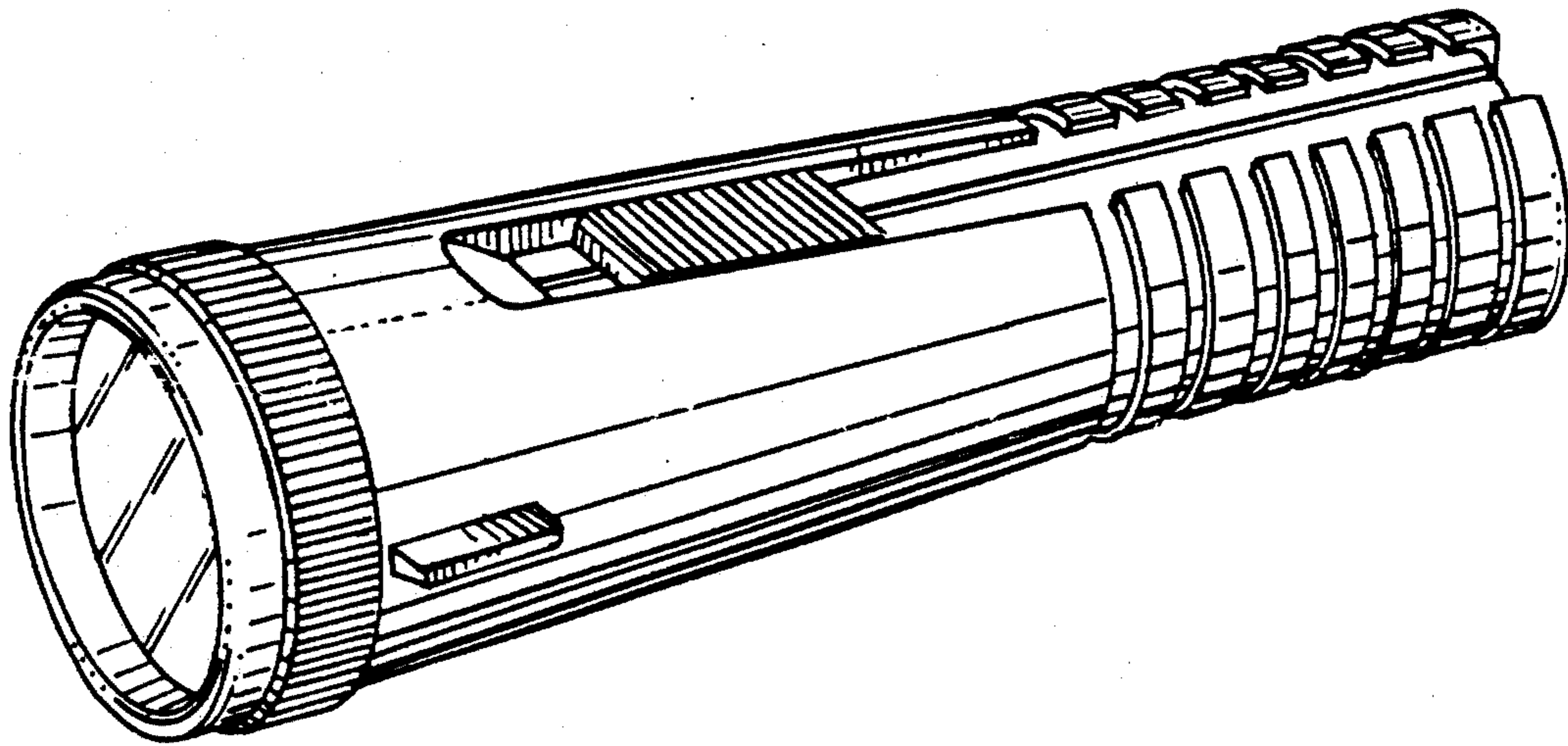
FIG. 3 is a right side elevational view thereof on an enlarged scale;

FIG. 4 is a bottom plan view thereof on an enlarged scale;

FIG. 5 is a left side elevational view thereof on an enlarged scale;

FIG. 6 is a front elevational view thereof on an enlarged scale;

FIG. 7 is a rear elevational view thereof on an enlarged scale.



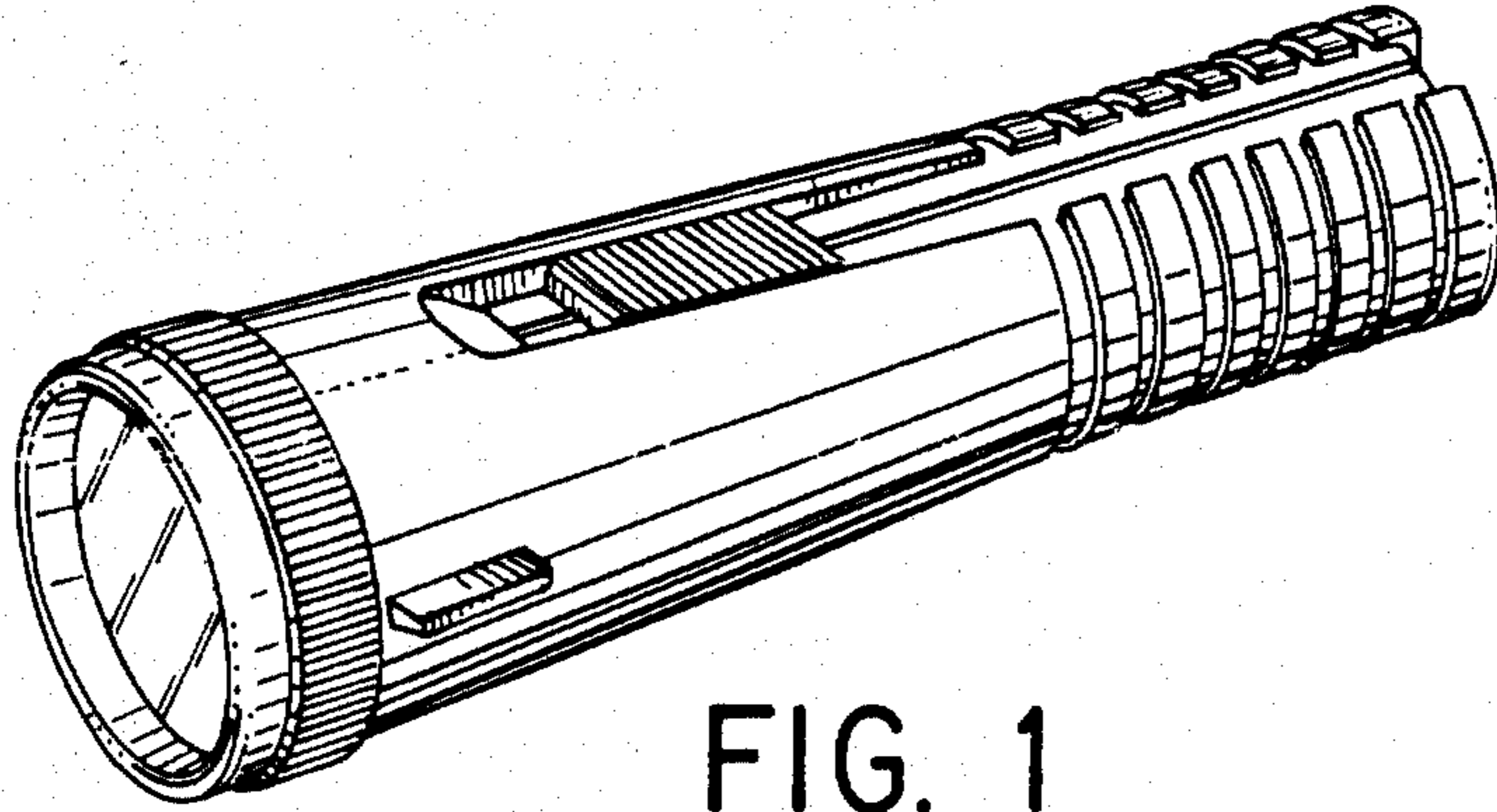


FIG. 1

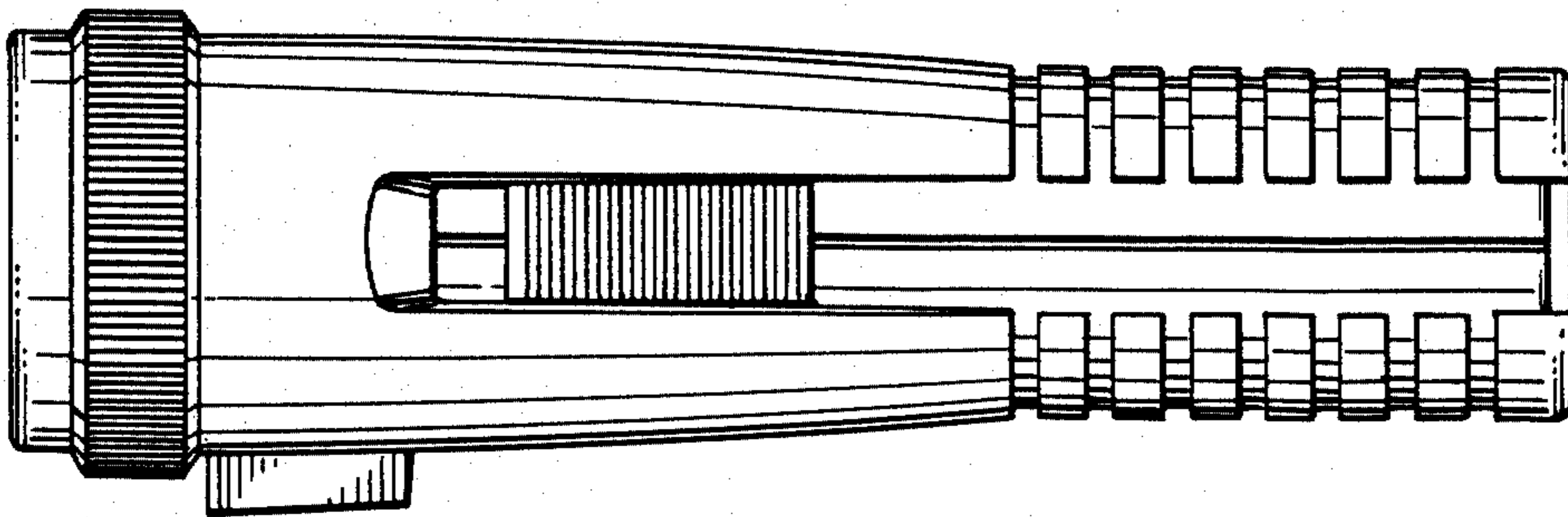


FIG. 2

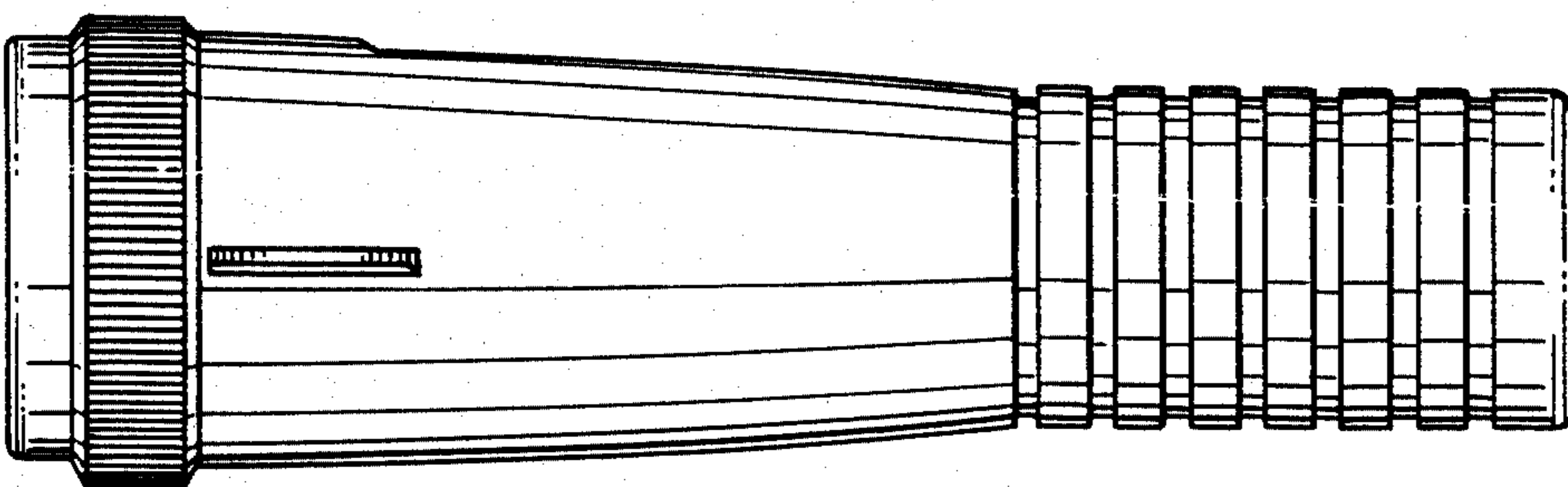


FIG. 3

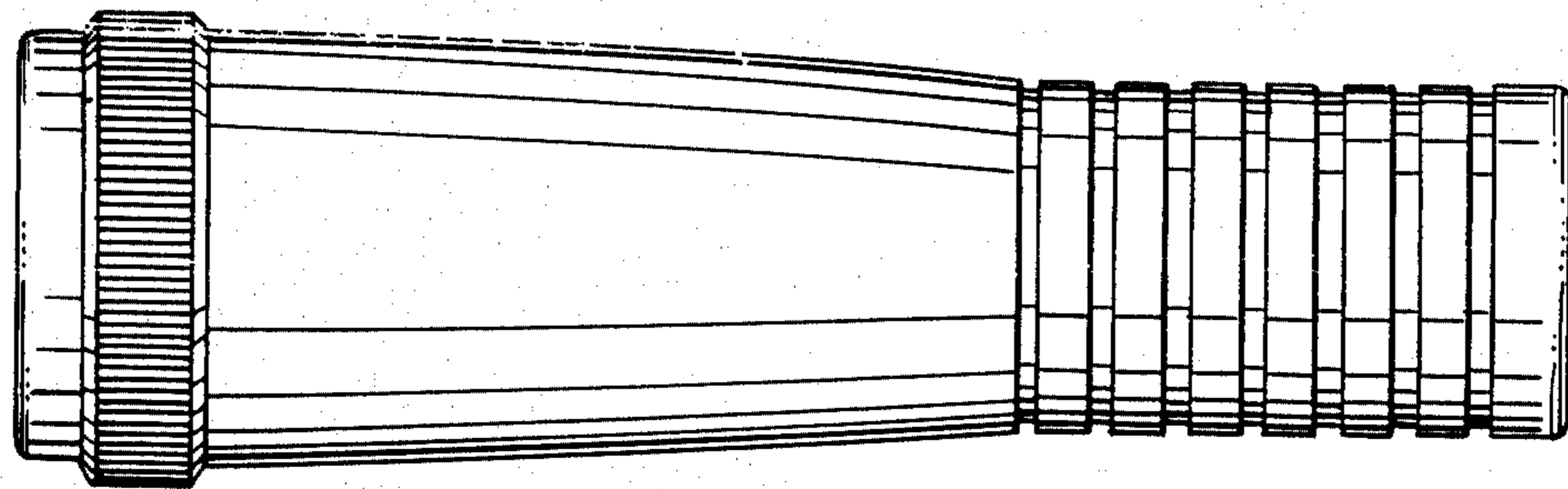


FIG. 4

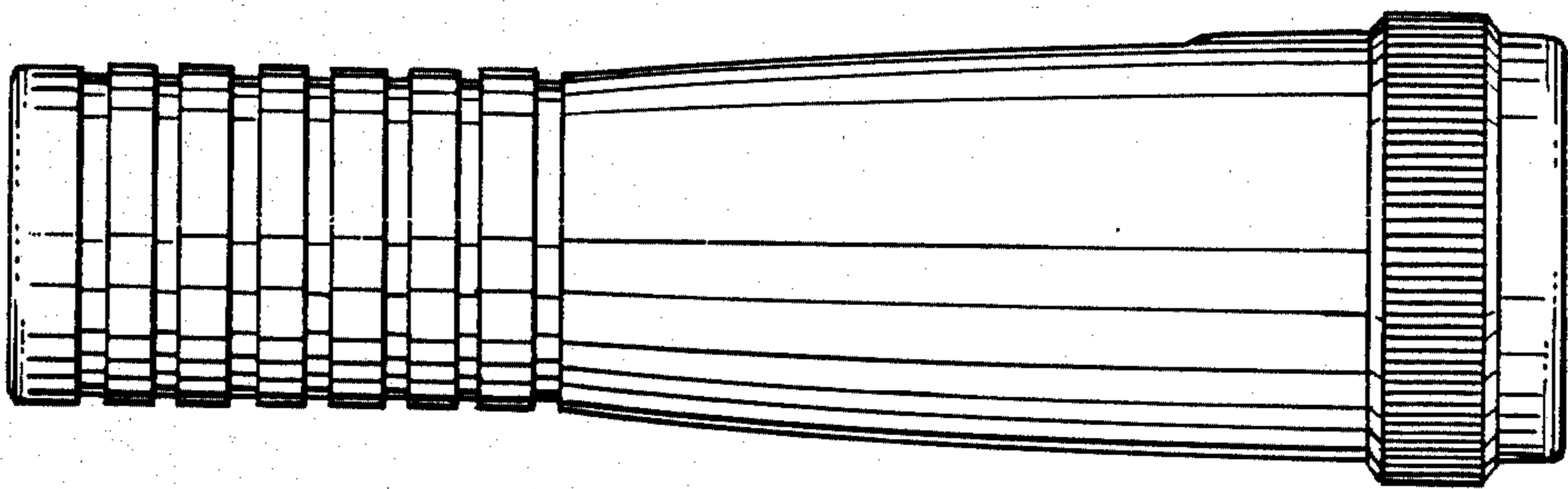


FIG. 5

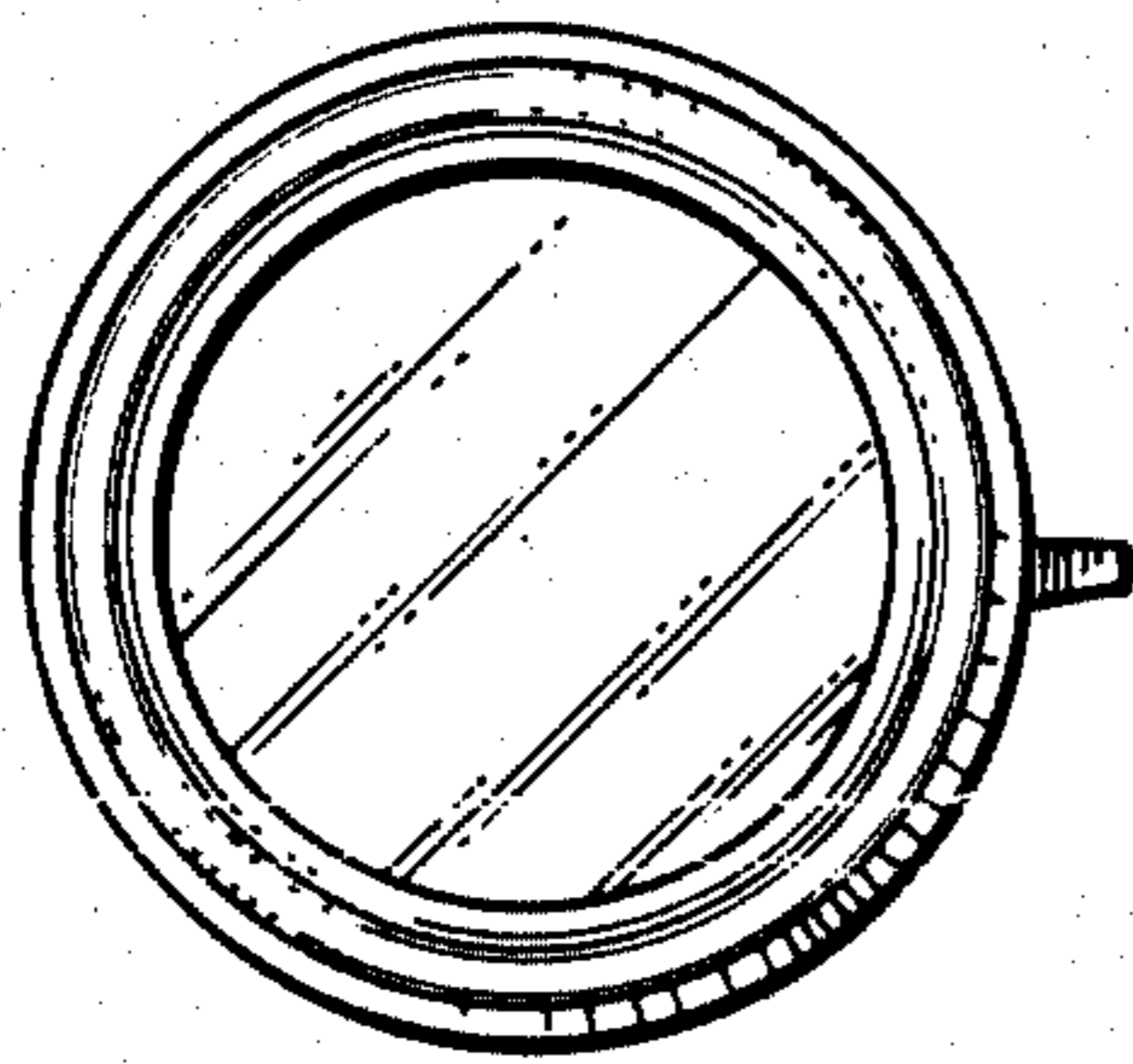


FIG. 6

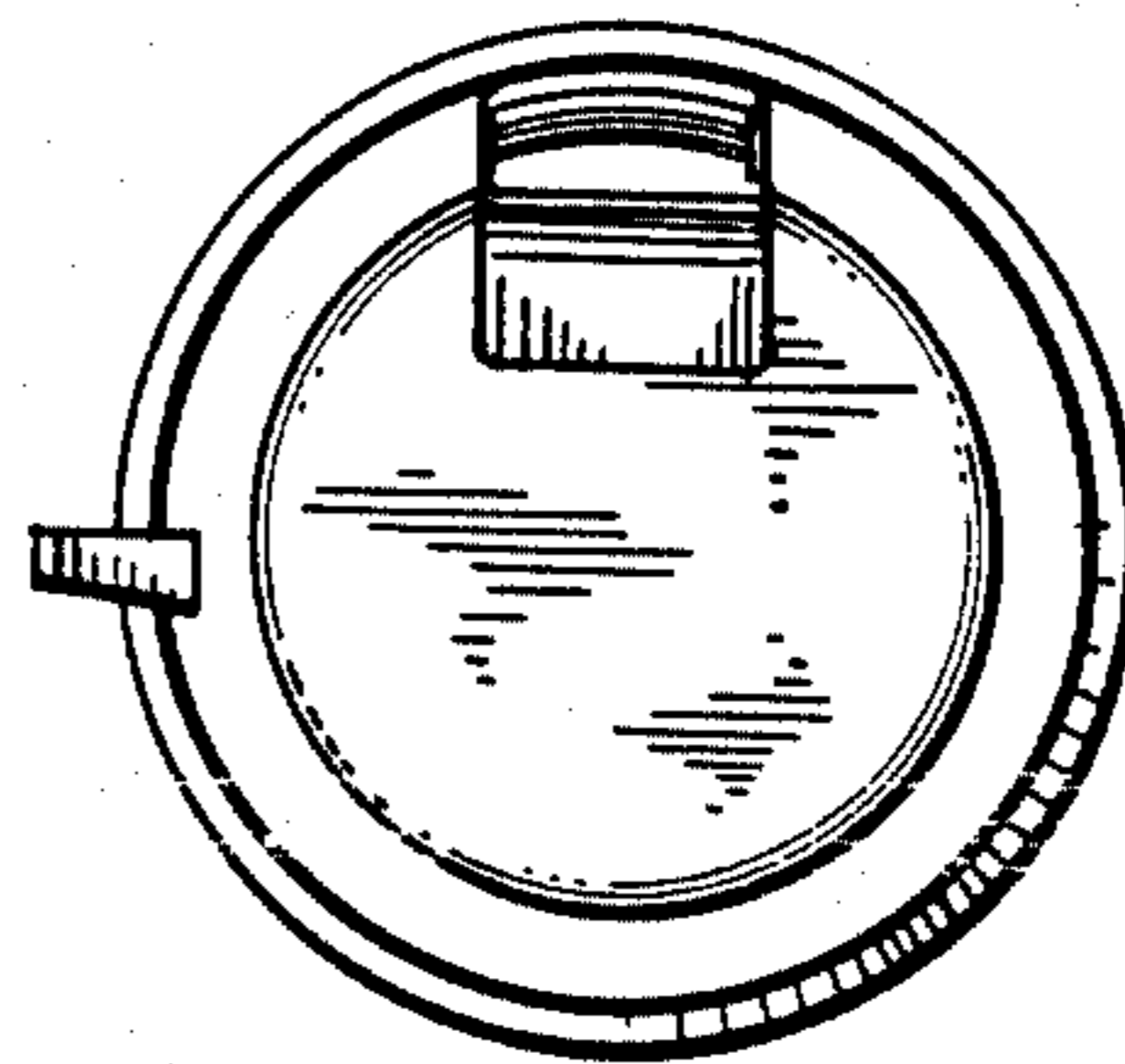


FIG. 7