

# United States Patent [19]

Smith

[11] Patent Number: Des. 297,668

[45] Date of Patent: \*\* Sep. 13, 1988

[54] SPACE FRAME WEB SECTION

[75] Inventor: Todd R. Smith, Whitmore Lake, Mich.

[73] Assignee: GTE Products Corporation, Waltham, Mass.

[\*\*] Term: 14 Years

[21] Appl. No.: 698,506

[22] Filed: Feb. 5, 1985

[52] U.S. Cl. .... D25/61

[58] Field of Search ..... 52/86, 200, 262, 263, 52/637, 648, 758, 650, 648; 403/171, 172, 176; D25/13, 35, 61, 70, 98, 60

[56] References Cited

U.S. PATENT DOCUMENTS

3,364,633	1/1968	Polo	52/86
3,466,824	9/1969	Troutner	52/262
3,477,189	11/1969	Merson	52/648
3,600,869	8/1971	Petroff	D25/61 X
3,948,012	4/1976	Papayoti	52/263
4,027,449	6/1977	Cilveti	52/648
4,070,847	1/1978	Madl	52/650

4,211,044	7/1980	Gugliotta et al.	52/200
4,271,654	6/1981	Jungblyth	52/637
4,282,619	8/1981	Rooney	52/693 X
4,324,083	4/1982	Johnson	52/650

OTHER PUBLICATIONS

Wendel, Space Frame Basics, 1983, pp. 5-25, 26, 33 to 36, 6-3 to 20, 8-1 to 33, 9-1 to 34.  
1981 Sweet's catalog file, Space Structures International Corp. catalog, 5.2/Sp 6, p. 3, Octa-Hub.

Primary Examiner—A. Hugo Word  
Attorney, Agent, or Firm—Gifford, Groh, VanOphem, Sheridan, Sprinkle and Dolgorukov

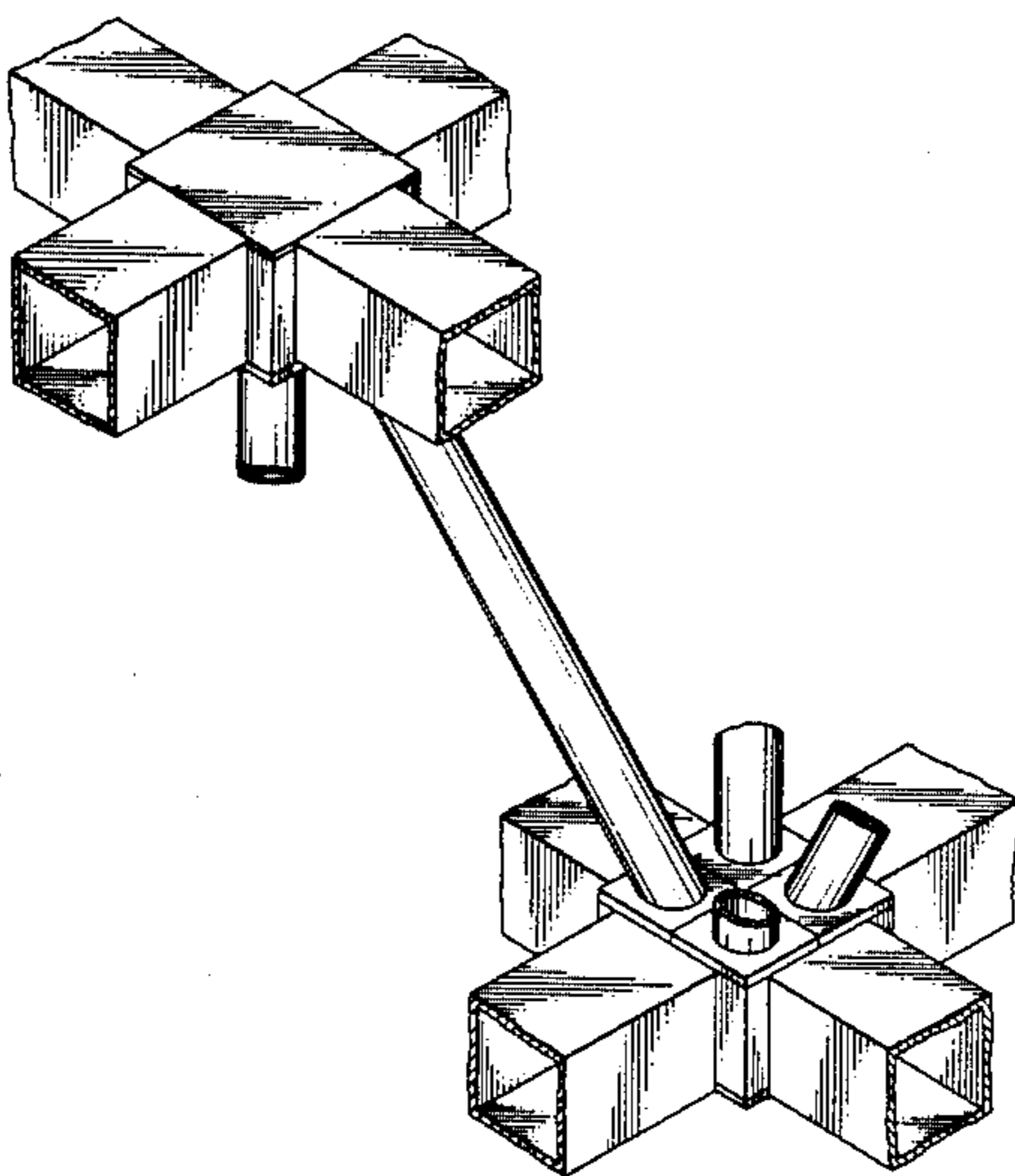
[57] CLAIM

The ornamental design for a space frame web section, as shown and described.

DESCRIPTION

FIG. 1 is a perspective view as viewed from the top and in front of a space frame web section showing my new design, shown fragmentarily to indicate indeterminate length; and

FIG. 2 is a perspective view as viewed from below and behind of space frame web section of FIG. 1.



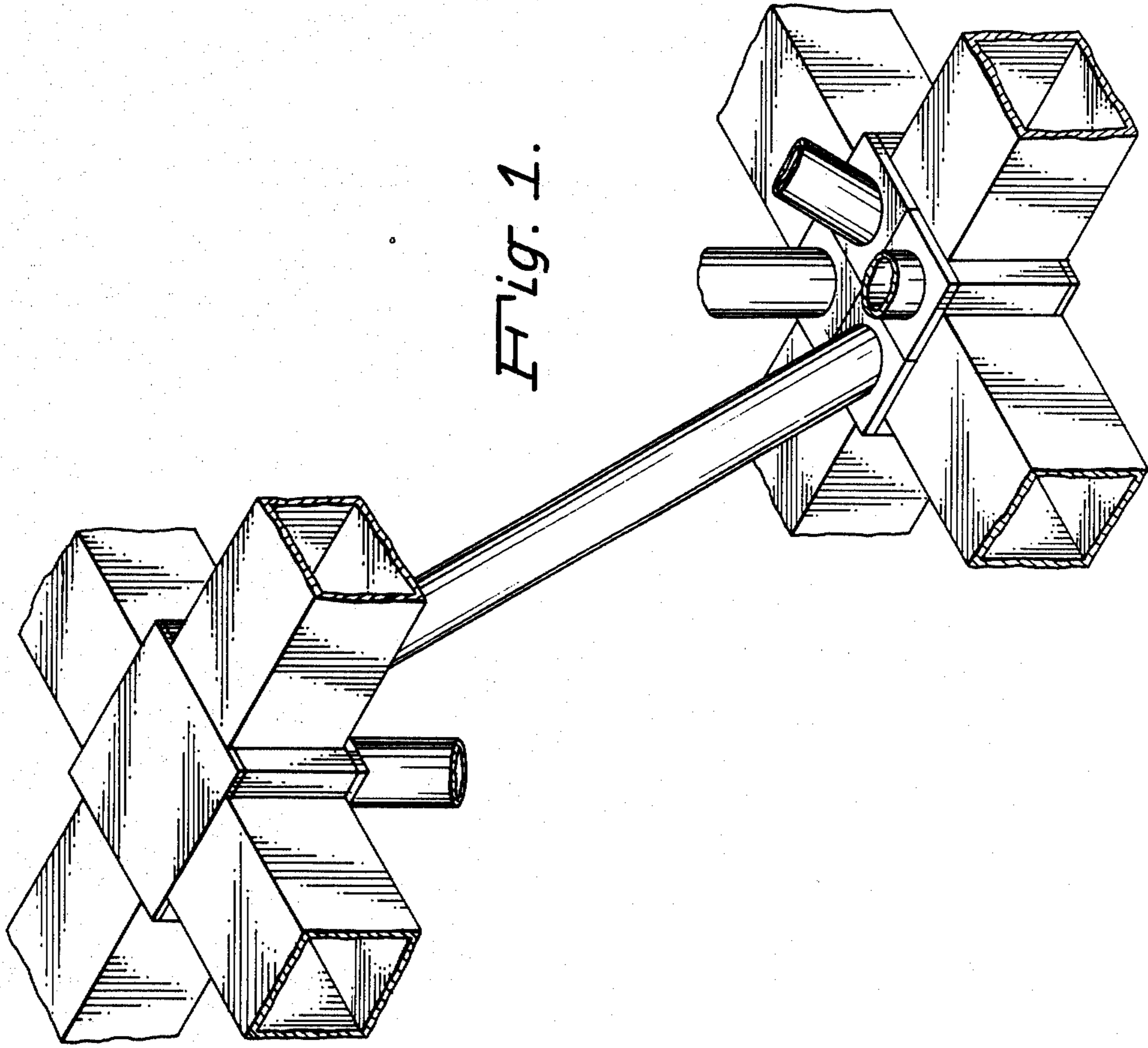
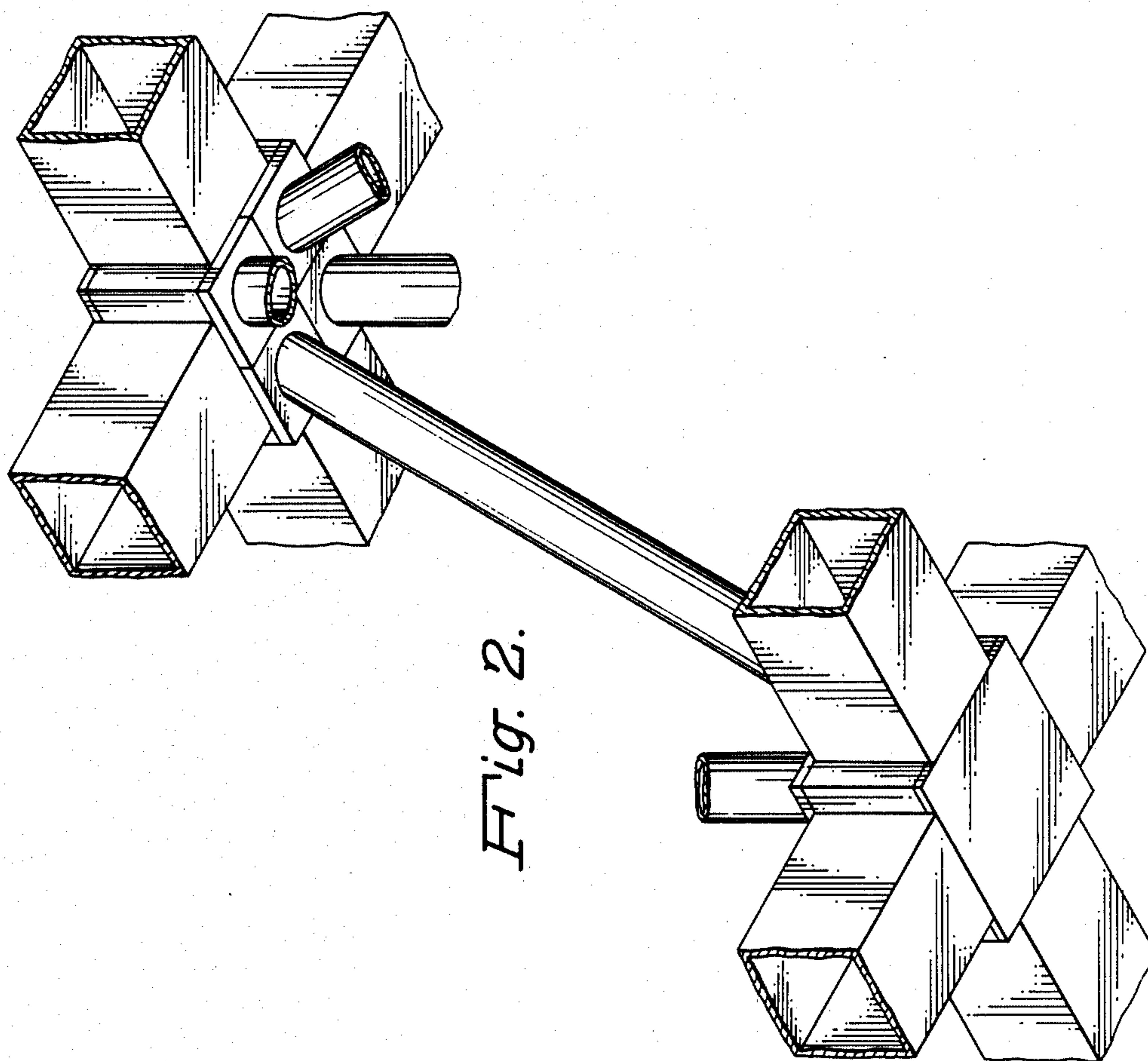


Fig. 1.



*Fig. 2.*