

[54] ULTRASONIC TRANSDUCER WITH HOLDING ASSEMBLY FOR USE IN REDUCING OCULAR PRESSURE OF THE EYE

[75] Inventors: Ernest Bevilacqua, Wilton, Conn.; Theodore N. Knerr, New York, N.Y.

[73] Assignee: Sonocare, Inc., Ridgewood, N.J.

[**] Term: 14 Years

[21] Appl. No.: 794,406

[22] Filed: Nov. 1, 1985

[52] U.S. Cl. D24/8

[58] Field of Search D24/1.1, 8, 17; 128/660, 645, 646, 648, 651, 652, 745, 24 A; 604/22

[56] References Cited

U.S. PATENT DOCUMENTS

3,070,997 1/1963 Papritz et al. 128/652

3,470,736 10/1969 Bartfray 128/652
3,952,732 4/1976 Shock 128/24 A
4,523,597 6/1985 Sawa et al. 128/652

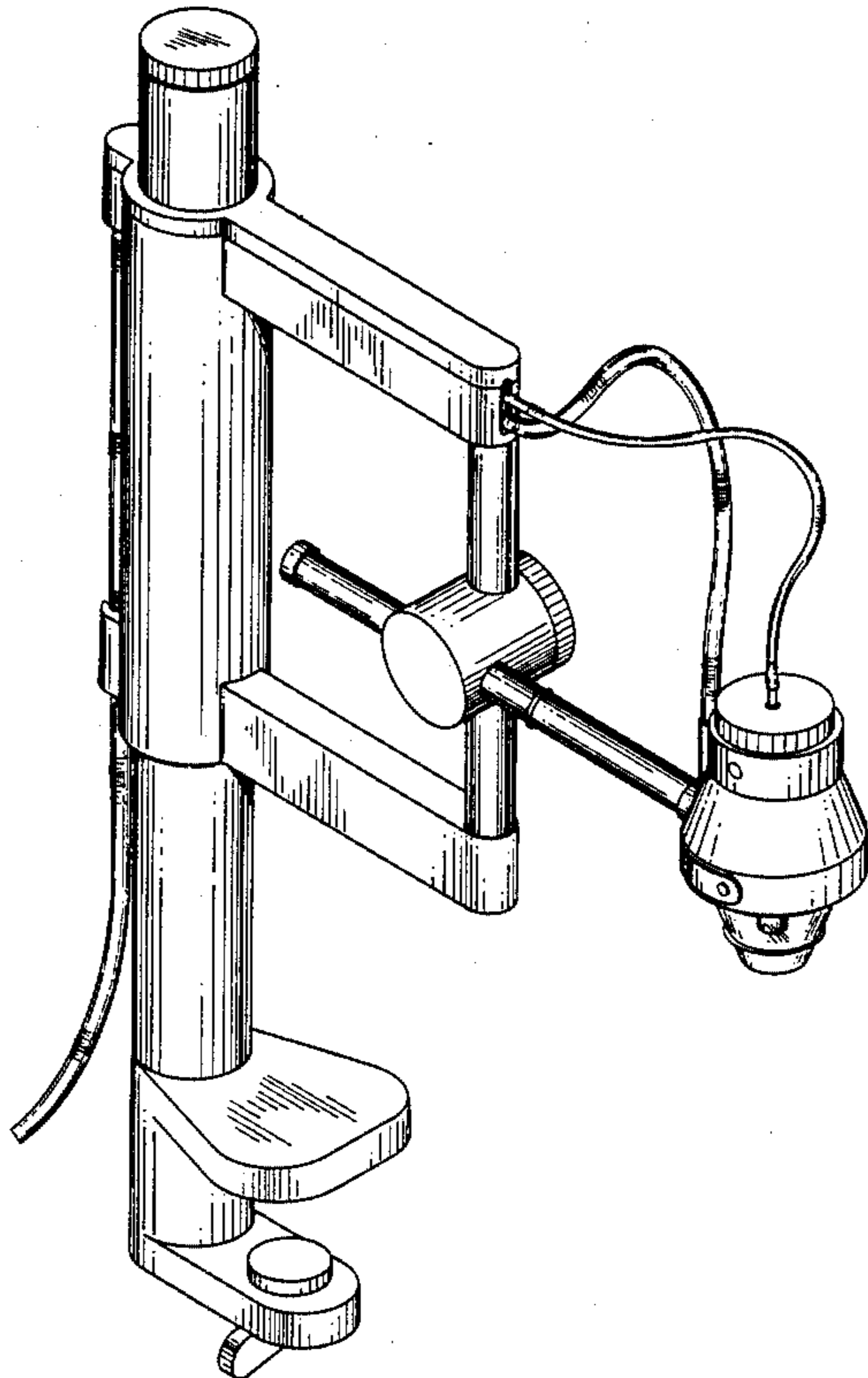
Primary Examiner—Wallace R. Burke
Assistant Examiner—Stella M. Reid
Attorney, Agent, or Firm—Brumbaugh, Graves, Donohue & Raymond

[57] CLAIM

The ornamental design for an ultrasonic transducer with holding assembly for use in reducing ocular pressure of the eye, substantially as shown.

DESCRIPTION

FIG. 1 is a perspective view of an ultrasonic transducer with holding assembly for use in reducing ocular pressure of the eye showing my new design; FIG. 2 is a front elevational view thereof; FIG. 3 is a back view thereof; FIG. 4 is a top plan view thereof; FIG. 5 is a left side elevational view thereof; and FIG. 6 is a right side elevational view thereof.



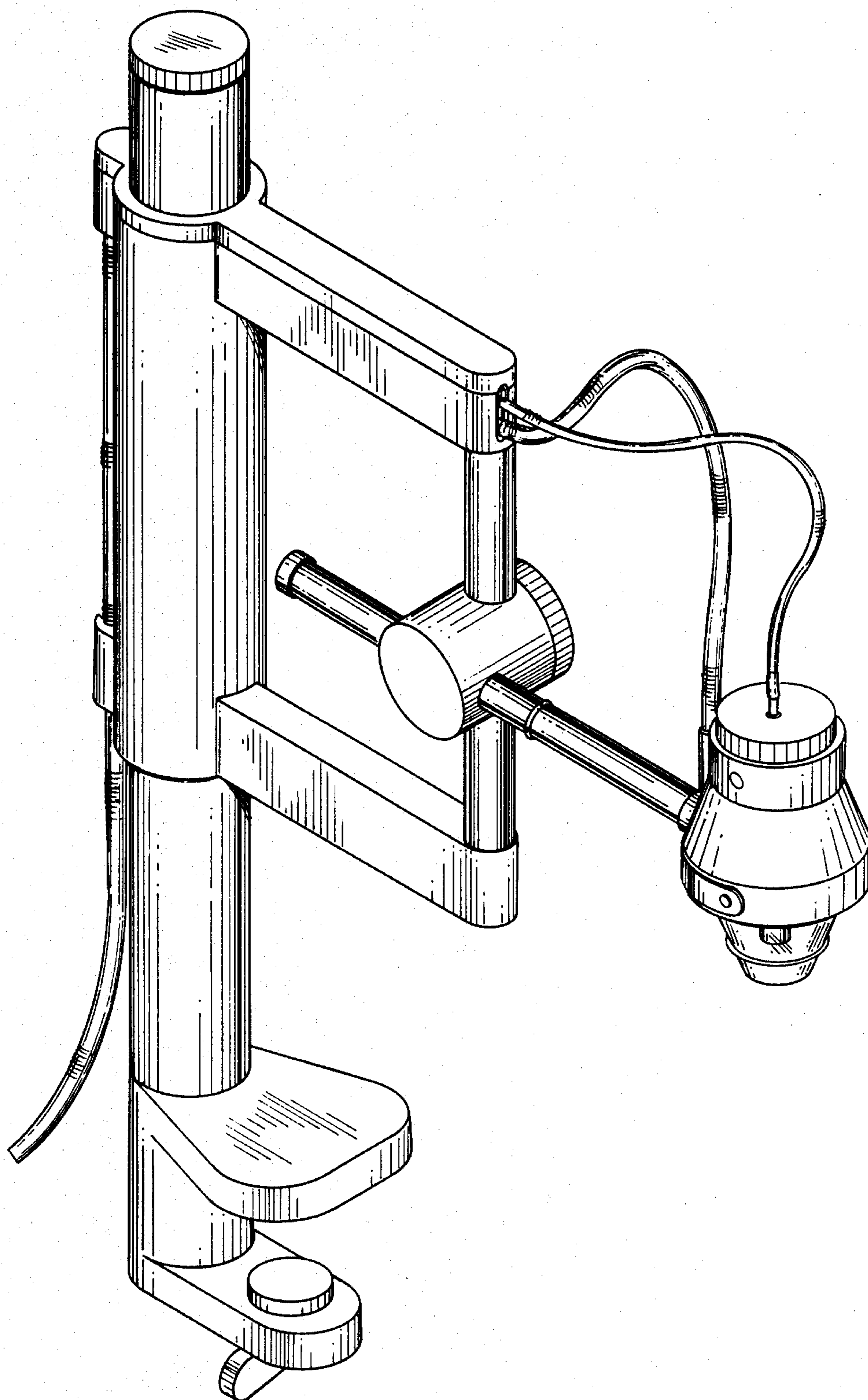


FIG. 1

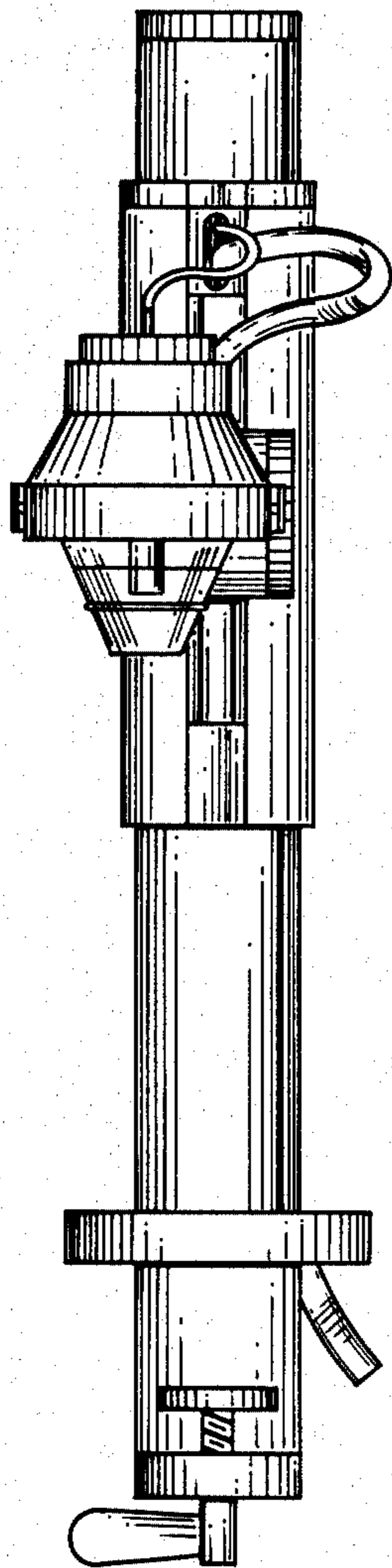


FIG. 2

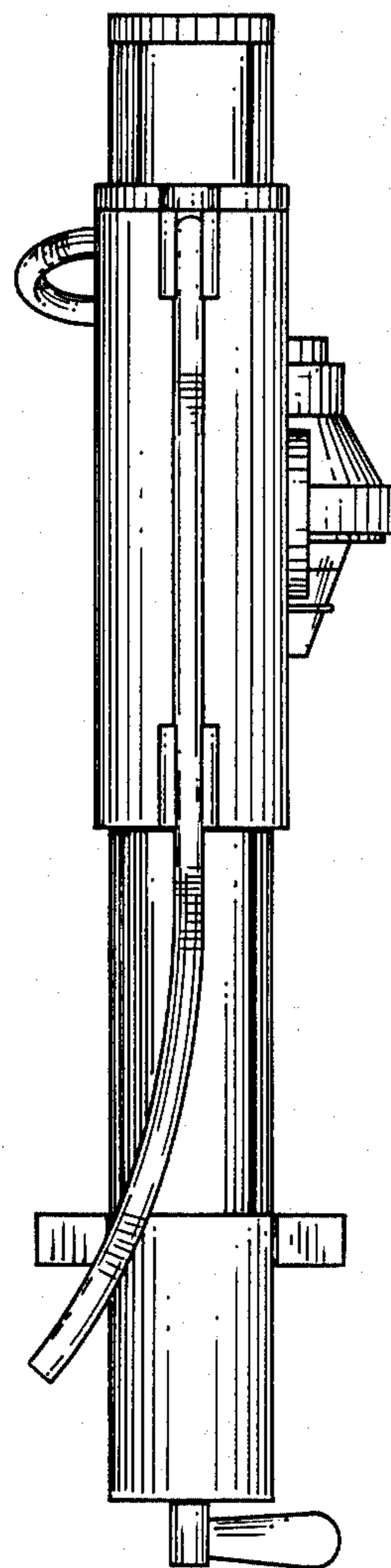


FIG. 3

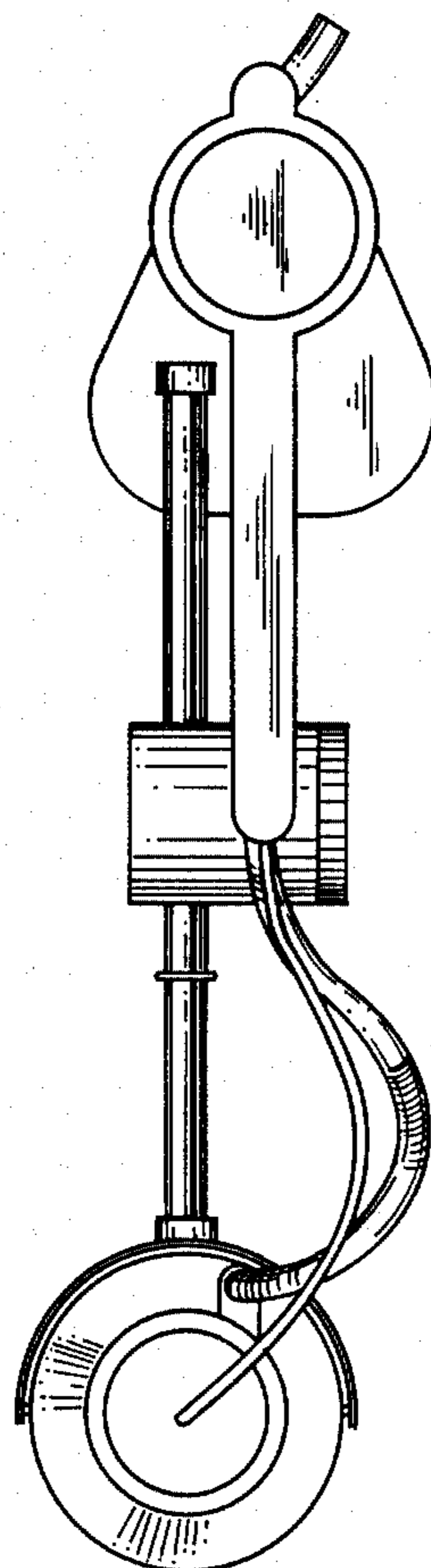


FIG. 4

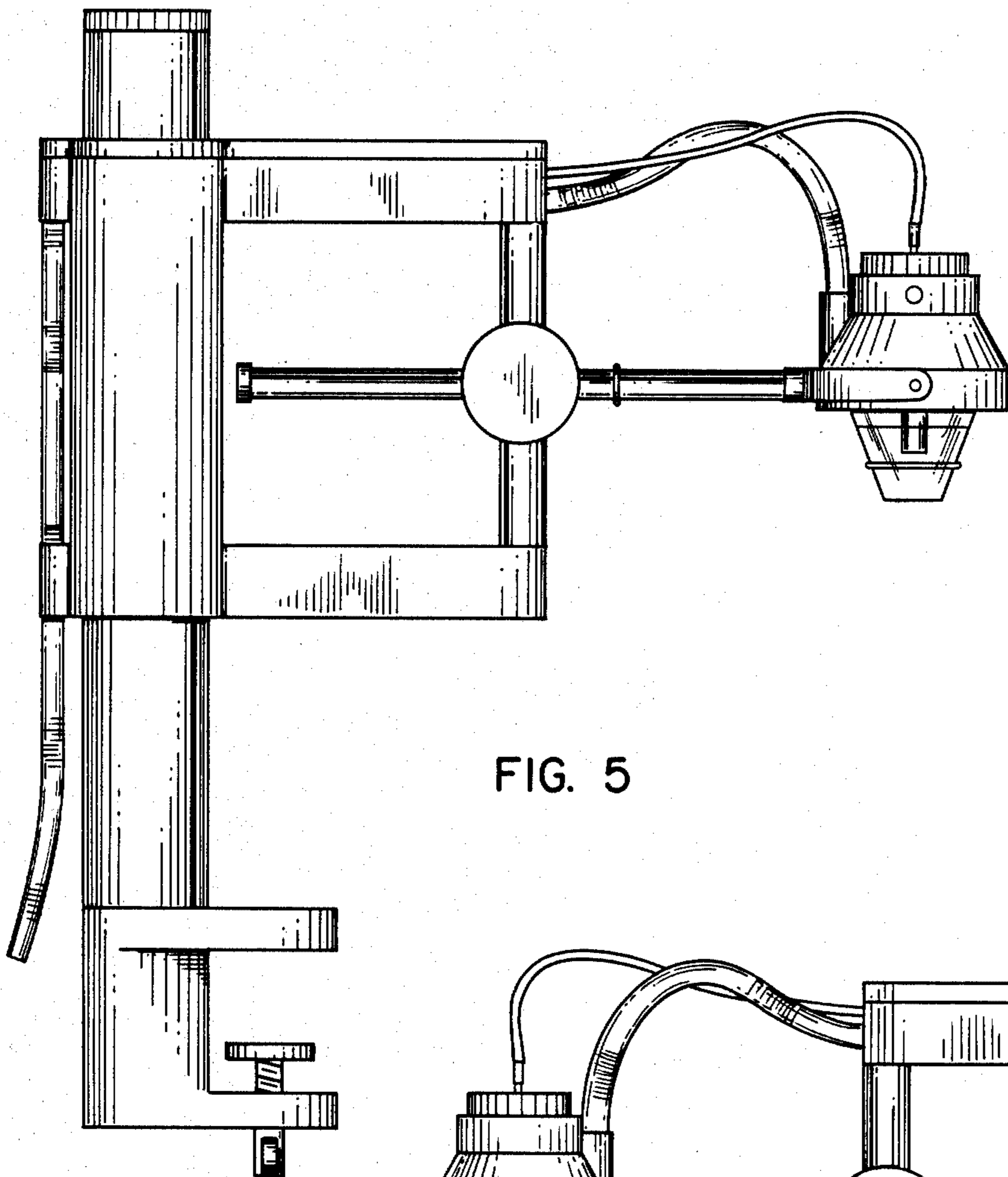


FIG. 5

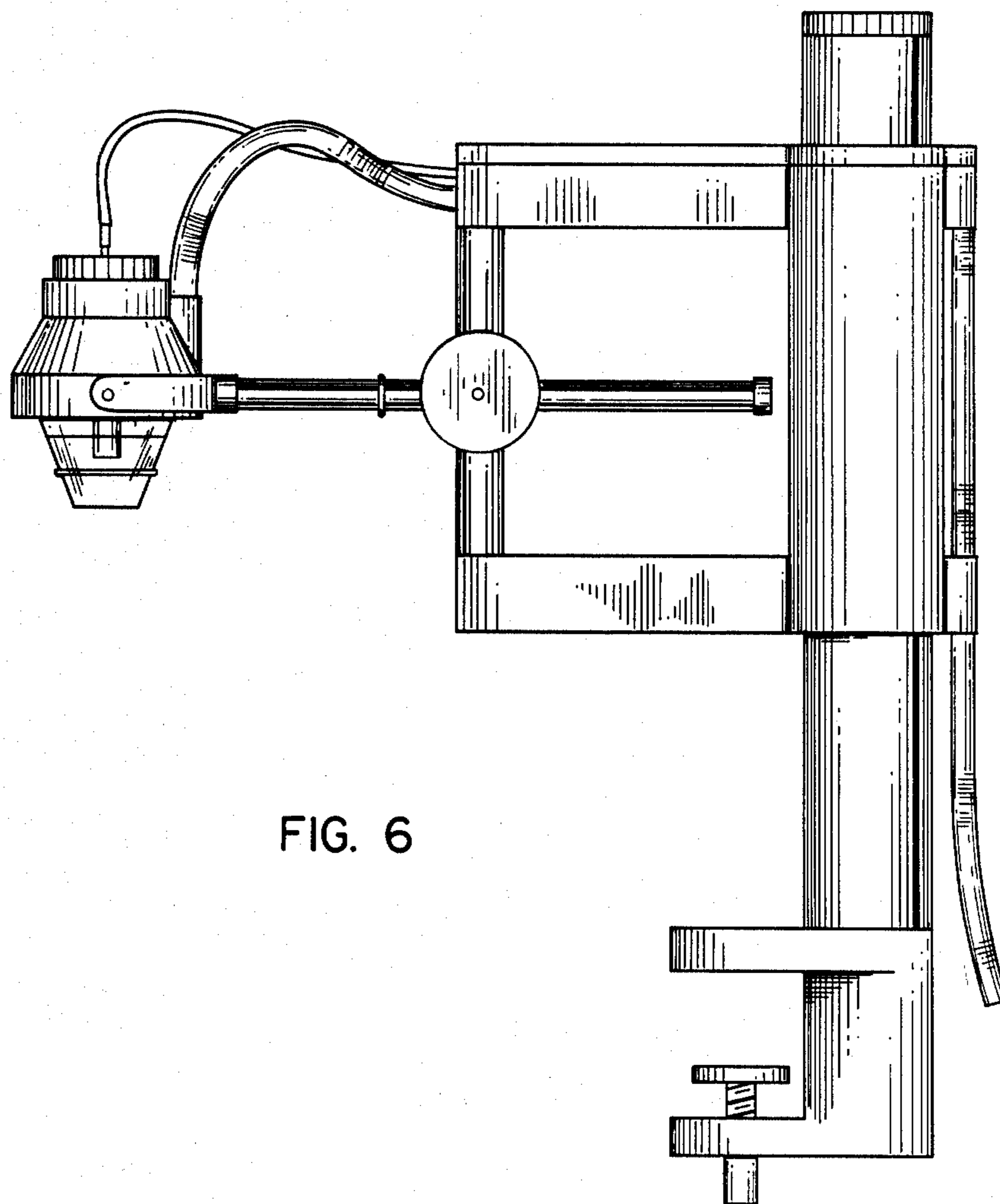


FIG. 6