

[54] **TELESCOPE**
[75] **Inventor: Steven E. Hilko, Riverside, R.I.**
[73] **Assignee: The Quaker Oats Company, Chicago, Ill.**
[**] **Term: 14 Years**
[21] **Appl. No.: 920,857**
[22] **Filed: Oct. 17, 1986**
[52] **U.S. Cl. D16/132**
[58] **Field of Search D16/132, 130; 350/537, 350/547, 551**

4,050,318 9/1977 Wolf 350/567 X

Primary Examiner—Wallace R. Burke
Assistant Examiner—Stella M. Reid
Attorney, Agent, or Firm—Cumpston & Shaw

[57] **CLAIM**

The ornamental design for a telescope, substantially as shown and described.

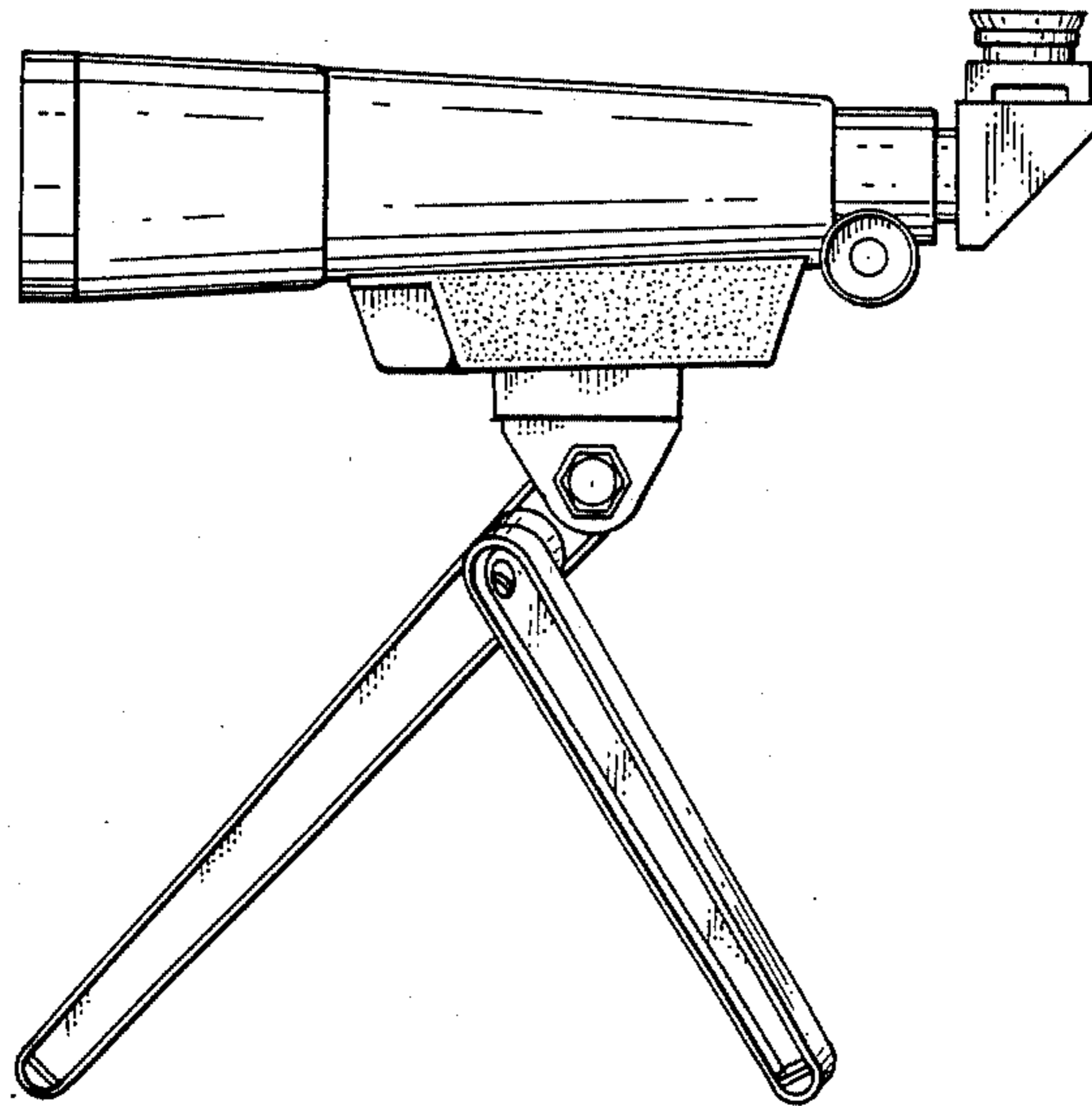
DESCRIPTION

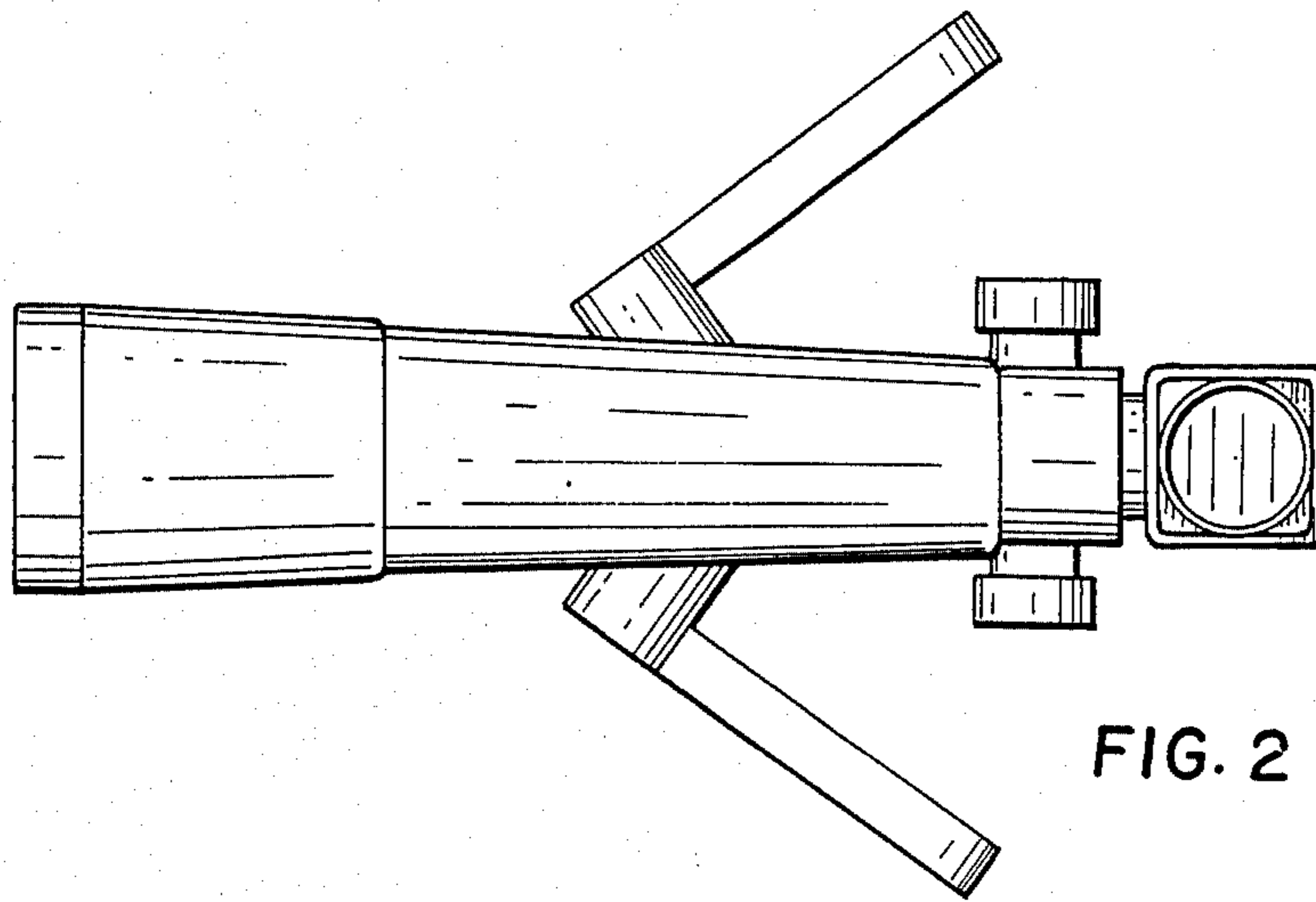
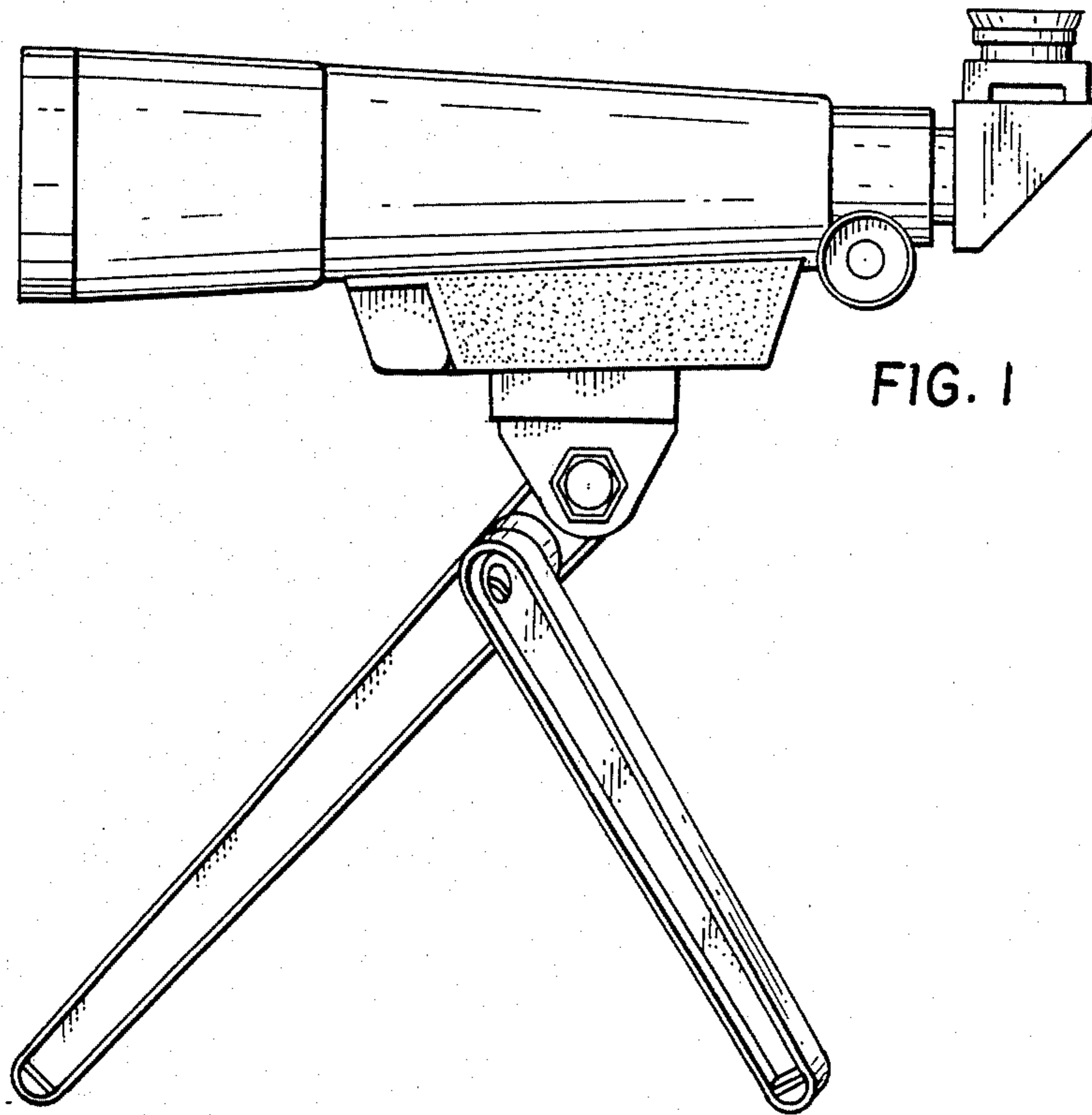
FIG. 1 is a right-side elevational view of a telescope showing my new design, the left side being substantially a mirror image thereof;
FIG. 2 is a top plan view thereof;
FIG. 3 is a front elevational view thereof;
FIG. 4 is a rear elevational view thereof; and
FIG. 5 is a fragmented elevational view taken in the direction of line 5—5 of FIG. 3.

[56] **References Cited**

U.S. PATENT DOCUMENTS

3,112,570 12/1963 Vasconcellos 350/567 X
3,147,553 9/1964 Cogswell 350/568





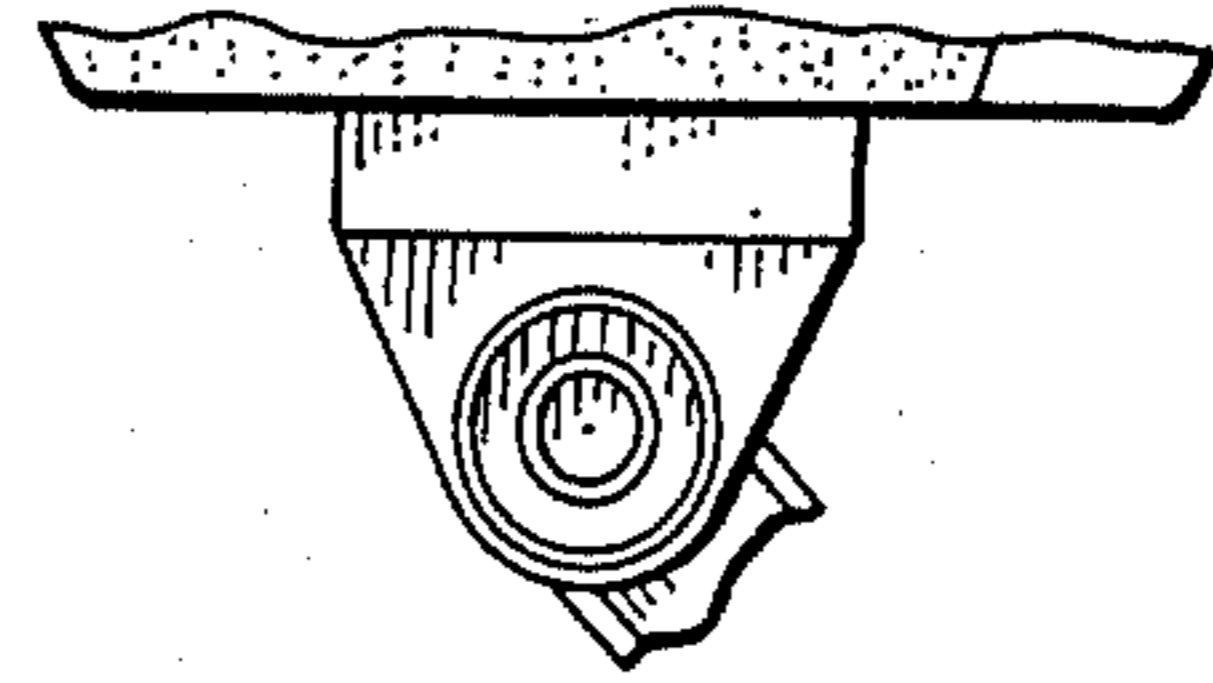
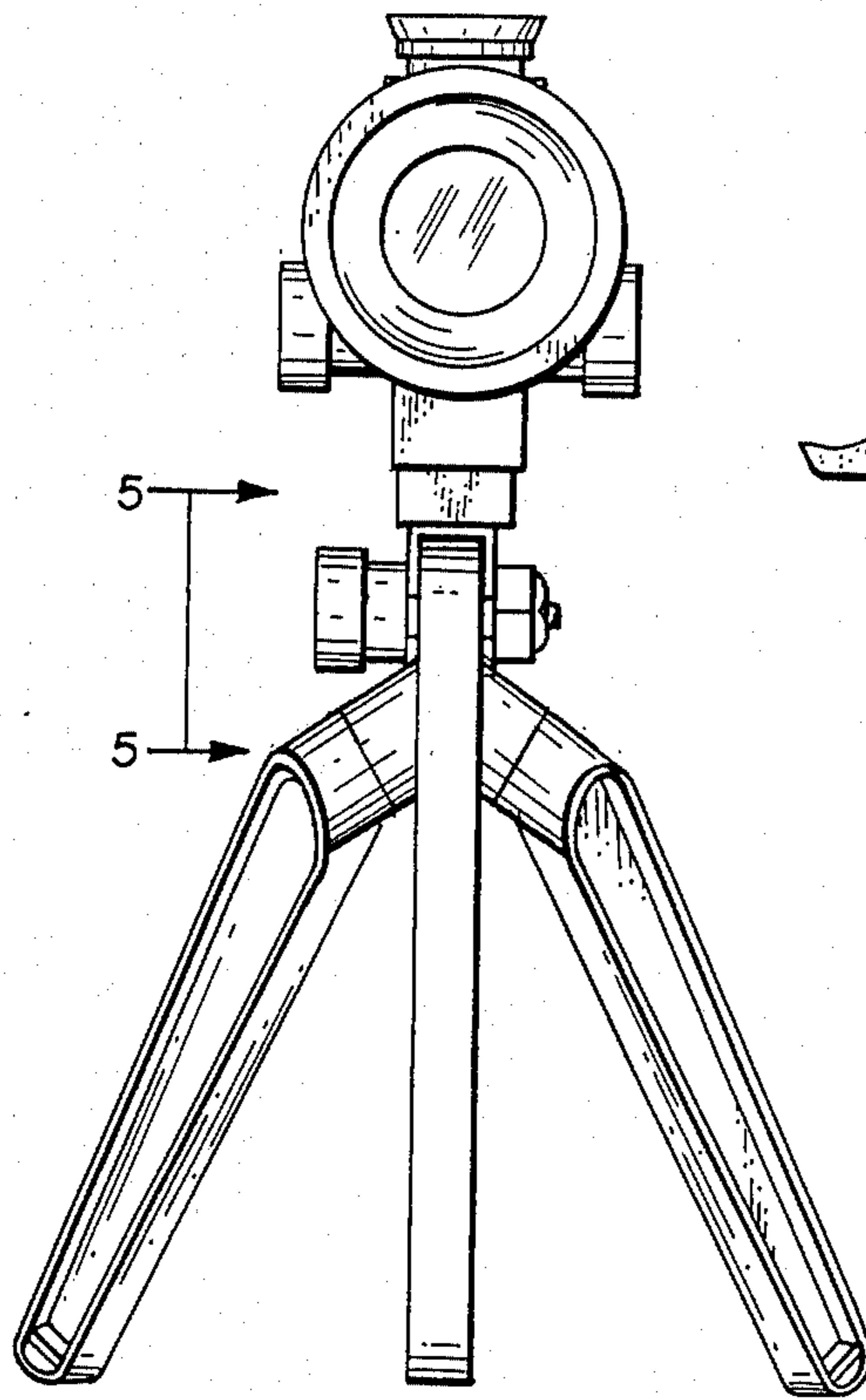


FIG. 5

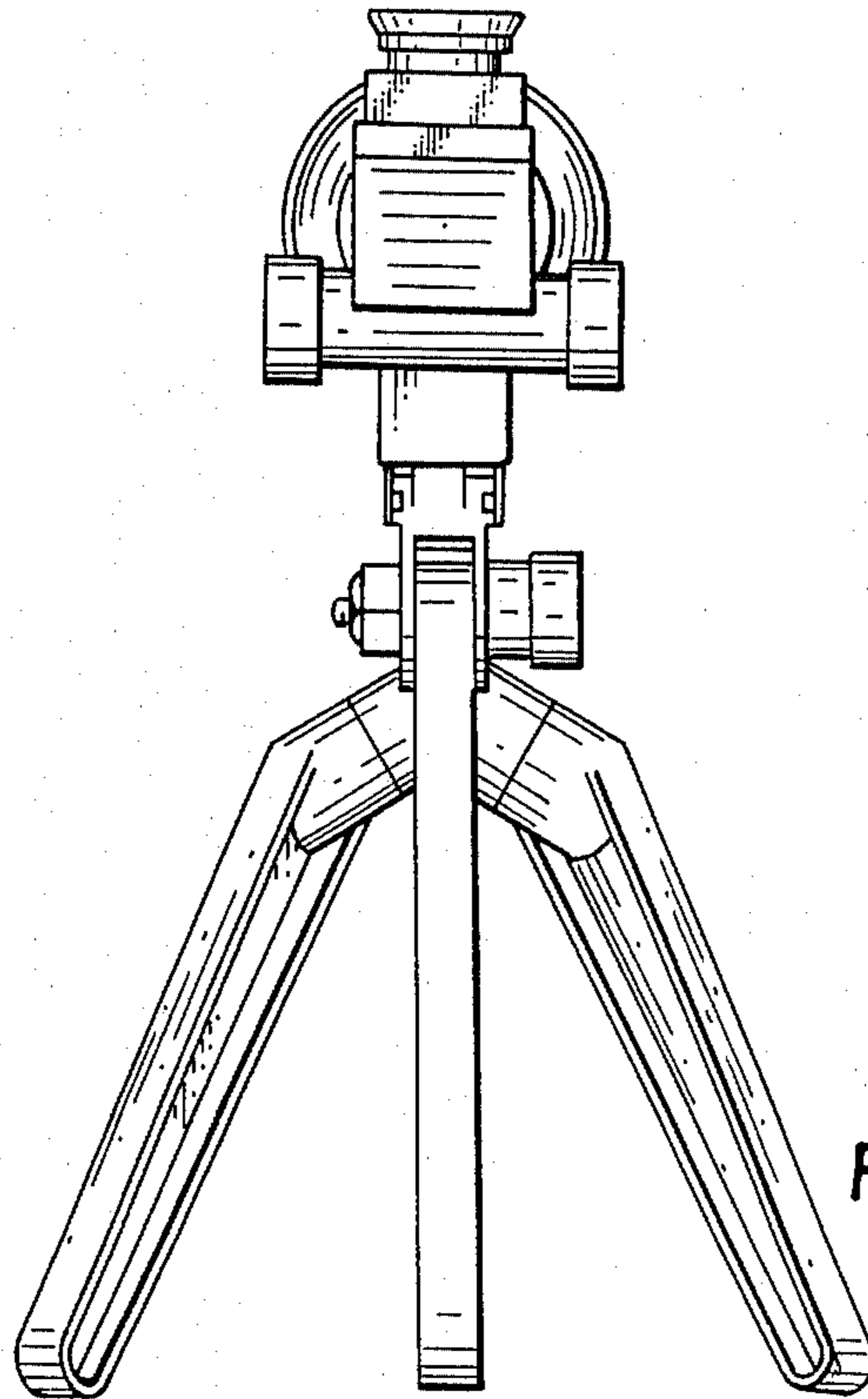


FIG. 4