

# United States Patent [19]

Mohlin

[11] Patent Number: **Des. 297,643**

[45] Date of Patent: **\*\* Sep. 13, 1988**

[54] **LOADER TOOTH FOR EARTH MOVING MACHINES**

[75] Inventor: **Kjell Mohlin, Karlskoga, Sweden**

[73] Assignee: **AB Bofors Wear Parts, Bofors, Sweden**

[\*\*] Term: **14 Years**

[21] Appl. No.: **776,730**

[22] Filed: **Sep. 16, 1985**

[52] U.S. Cl. .... **D15/29**

[58] Field of Search ..... **D15/28-29, D15/32; 37/141 T, 141 R, 142 A, 142 R; 172/713**

[56] **References Cited**

**U.S. PATENT DOCUMENTS**

- D. 200,722 3/1965 Wilson ..... D15/29
- D. 228,936 10/1973 Dahlberg ..... D15/29

- D. 281,326 11/1985 Nja ..... D15/29
- 1,395,048 10/1921 McKee ..... D15/29
- 3,601,911 8/1971 Wood ..... 172/713
- 4,231,173 11/1980 Davis ..... 37/142 R

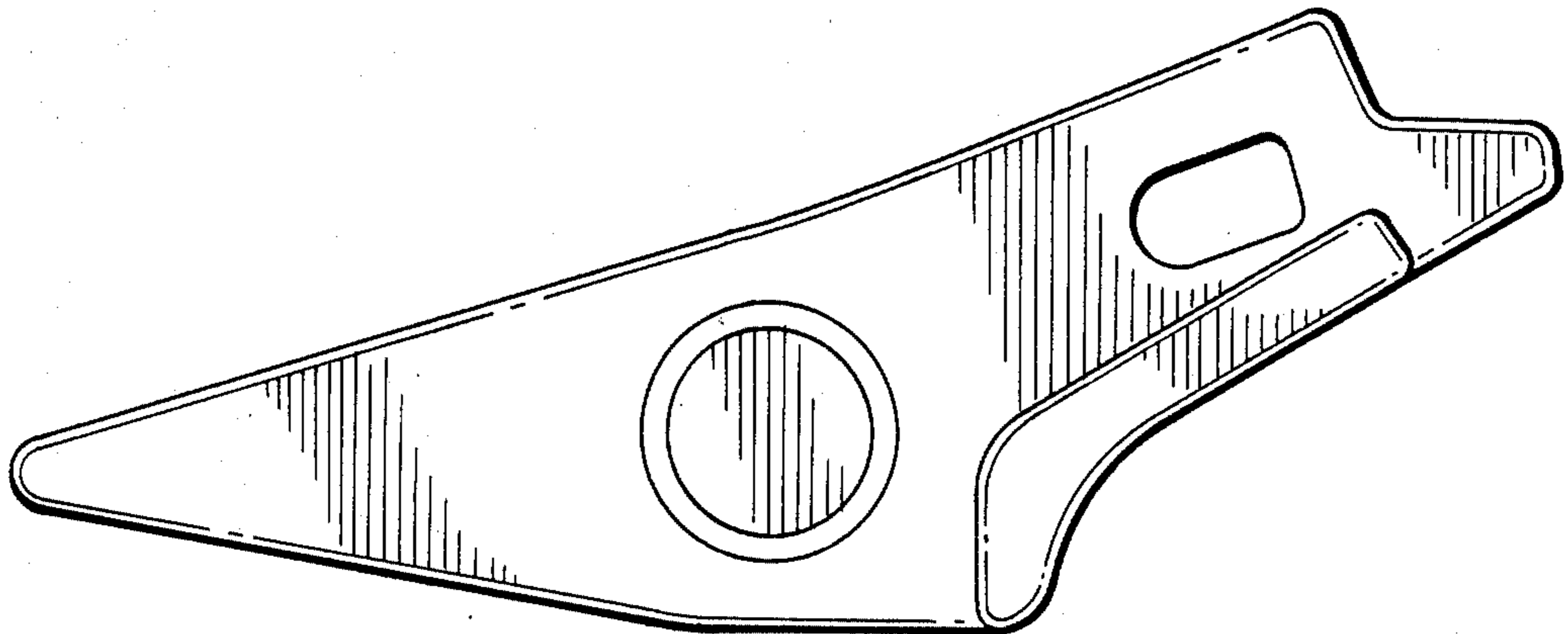
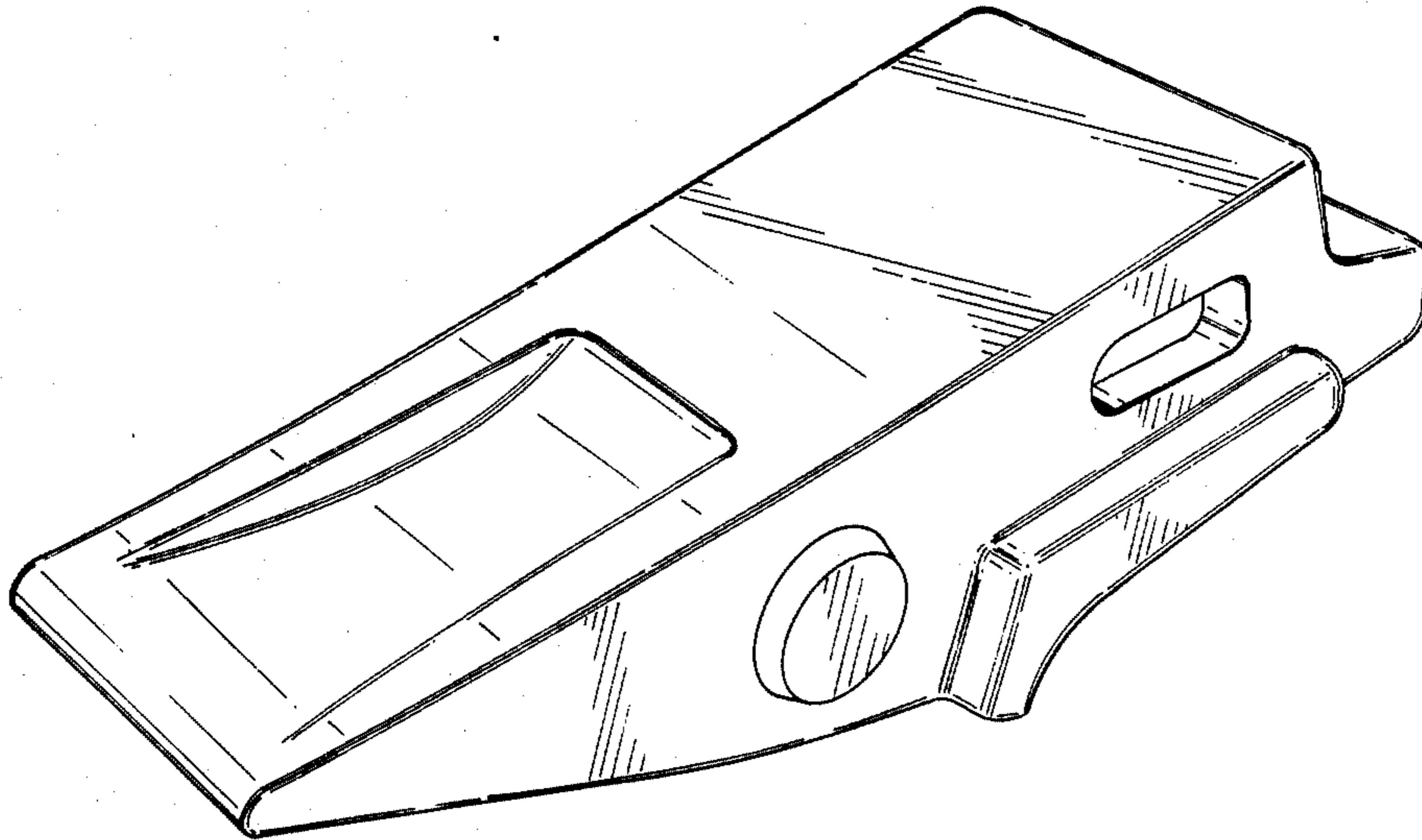
*Primary Examiner*—Wallace R. Burke  
*Assistant Examiner*—Ruth Takemoto  
*Attorney, Agent, or Firm*—Pollock, Vande Sande & Priddy

[57] **CLAIM**

The ornamental design for a loader tooth for earth moving machines, as shown.

**DESCRIPTION**

FIG. 1 is a top, front and right side perspective view of a loader tooth for earth moving machines showing my new design;  
FIG. 2 is a top, rear and left side perspective view thereof;  
FIG. 3 is a bottom plan view thereof; and,  
FIG. 4 is a right side elevational view thereof.



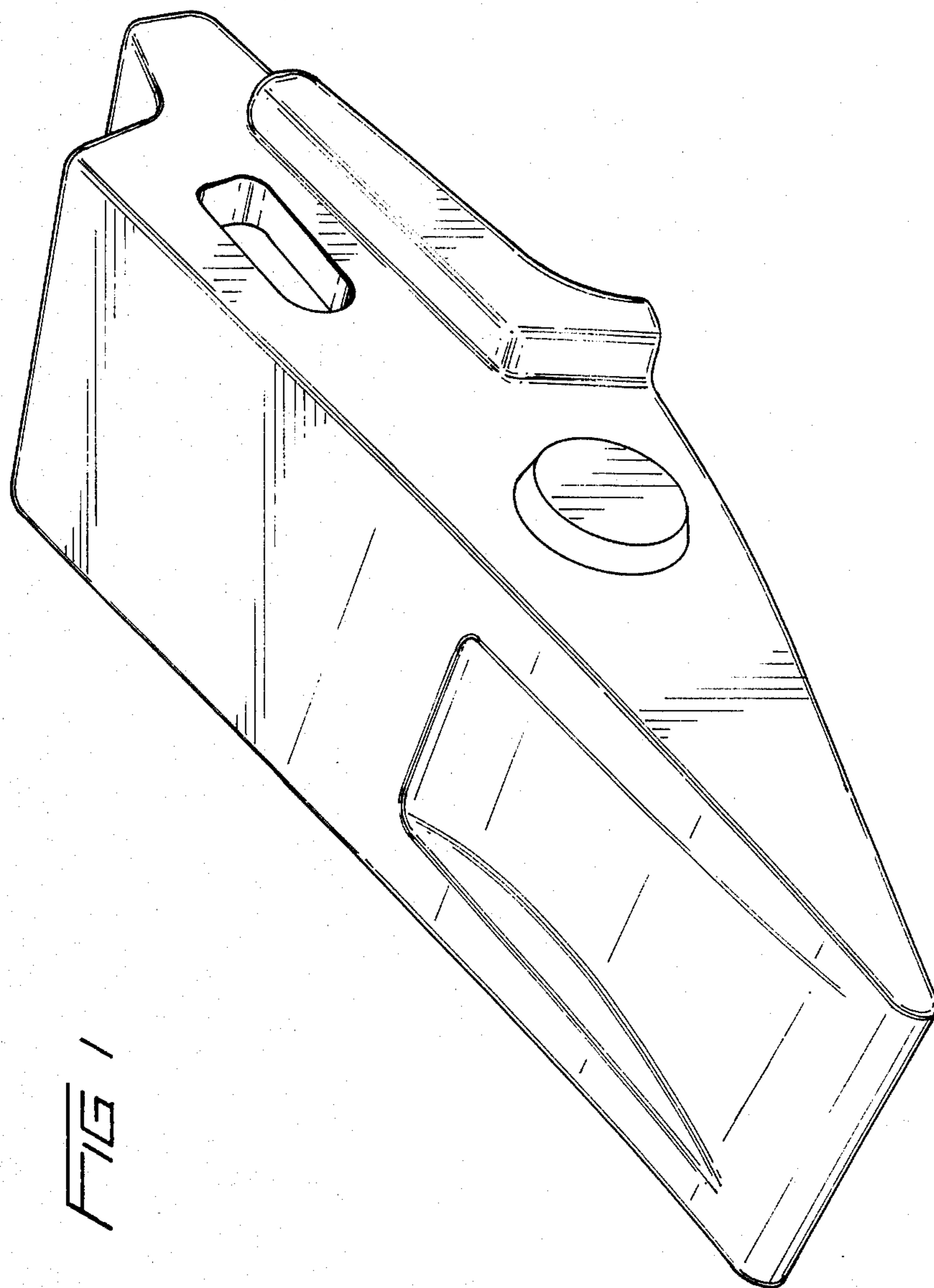


FIG 1

FIG 2

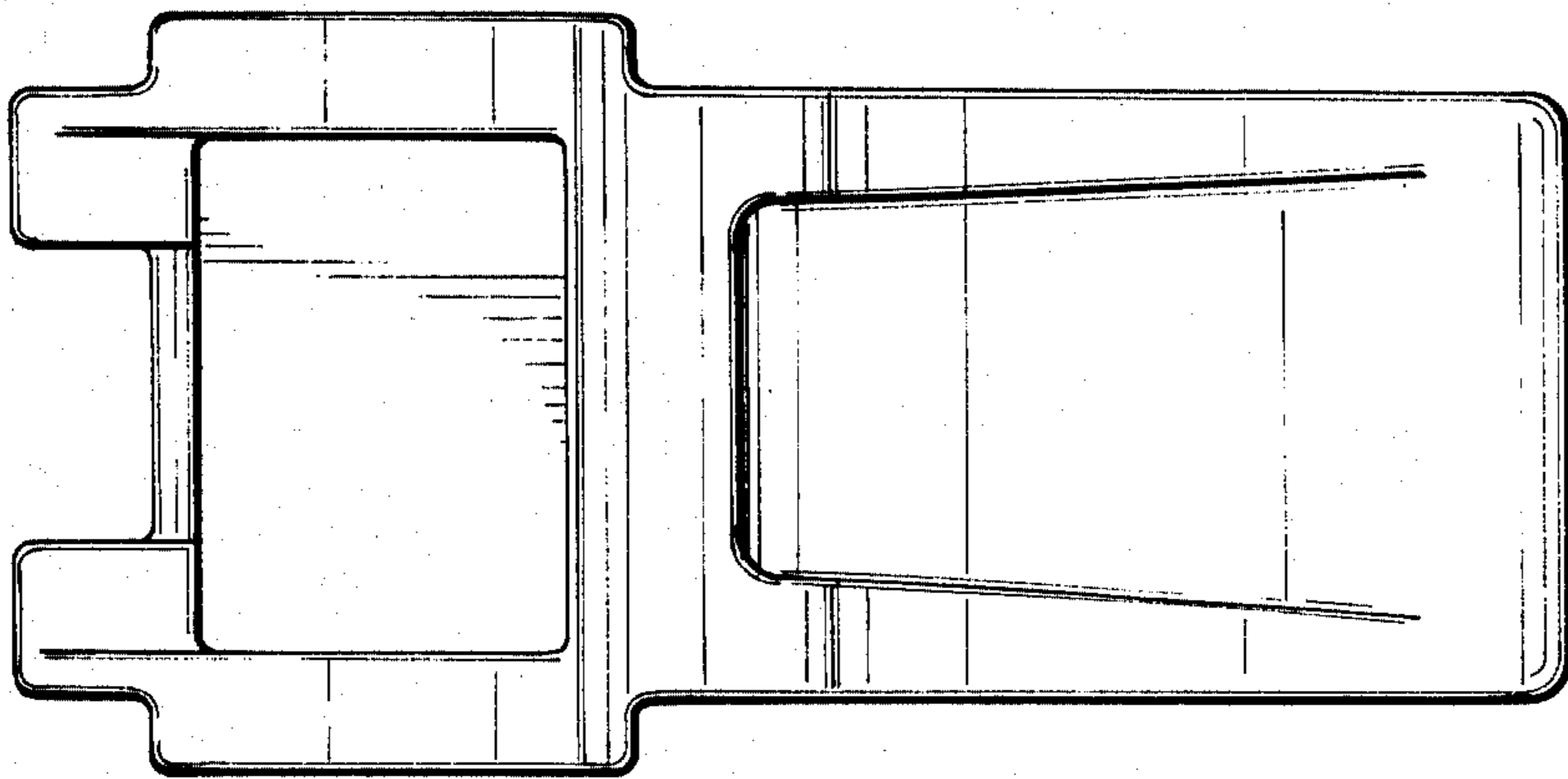
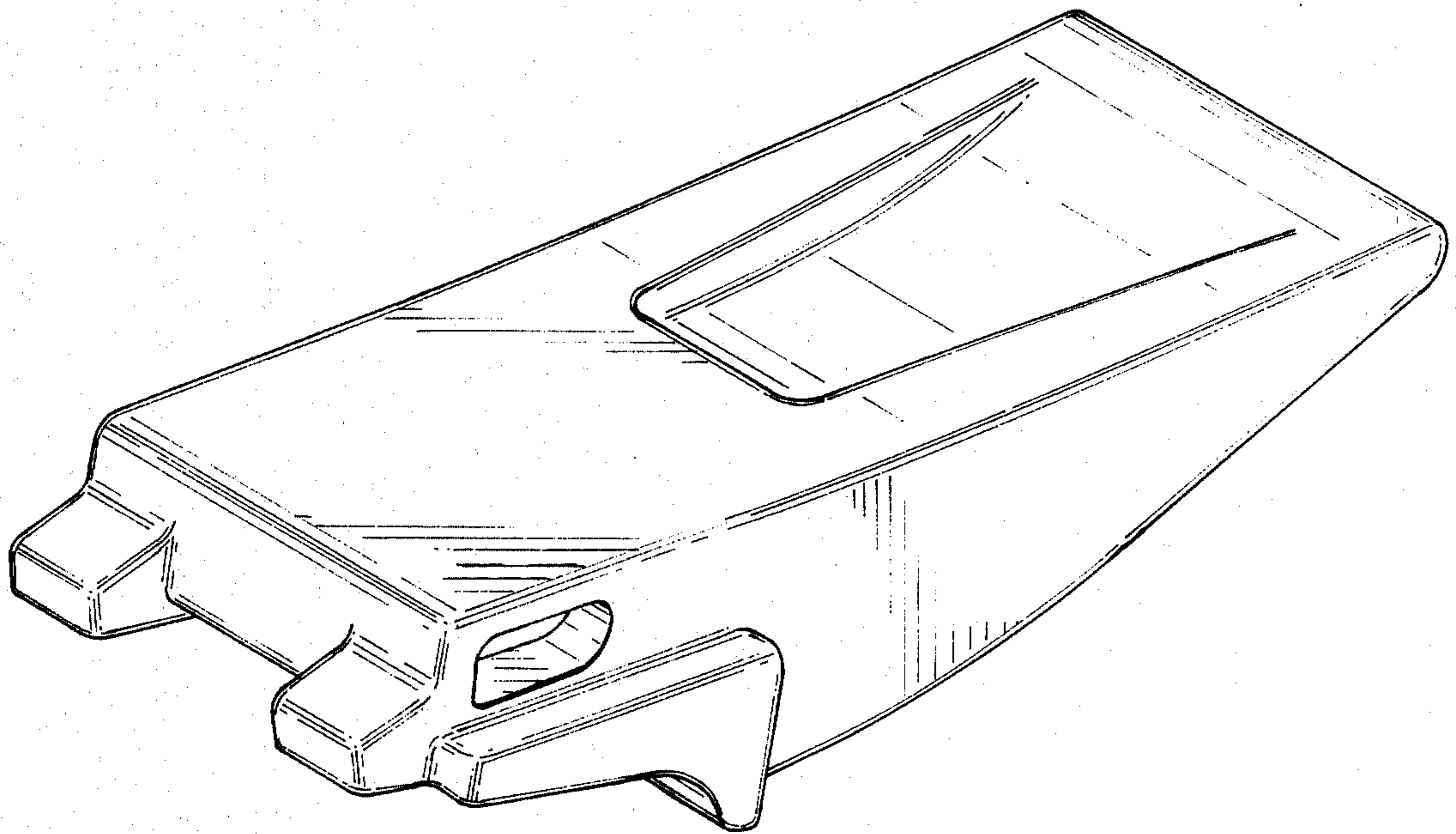


FIG 3

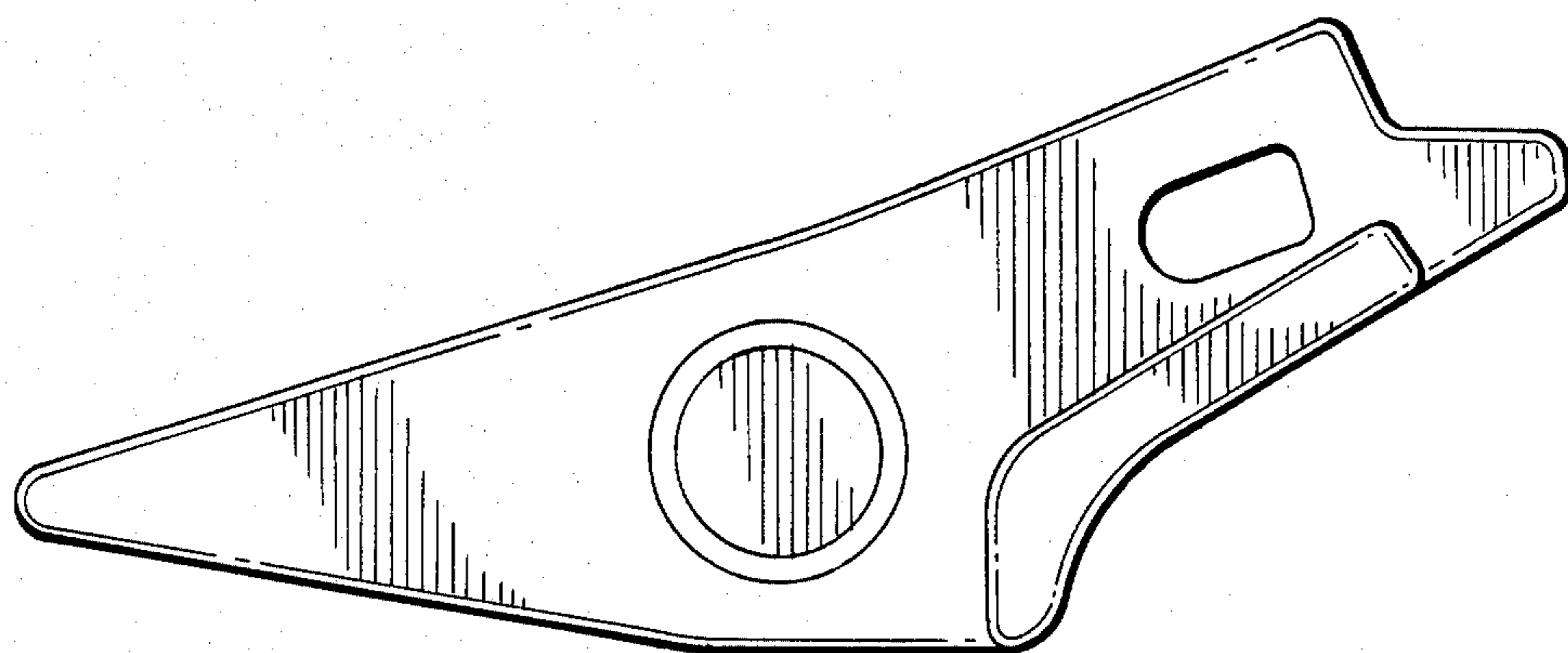


FIG 4