

[54] COMBINATION HANDSET TELEPHONE, ITS STAND, AND A CARRIER CASE THEREFOR

[75] Inventor: Katsuhito Watanabe, Tokyo, Japan

[73] Assignee: Oki Electric Industry Co., Ltd., Tokyo, Japan

[**] Term: 14 Years

[21] Appl. No.: 945,296

[22] Filed: Dec. 17, 1986

[30] Foreign Application Priority Data

Jun. 19, 1986 [JP] Japan 61-23439

[52] U.S. Cl. D14/53; D14/64; D14/60

[58] Field of Search D14/63, 59, 64, 60; 379/419, 428, 433, 440, 58, 59, 60; 455/89, 90

[56] References Cited

U.S. PATENT DOCUMENTS

- D. 220,960 6/1971 Heribertson D14/53
- D. 256,235 8/1980 Fukushima et al. D14/53
- D. 263,704 4/1982 Fukushima et al. D14/56 X
- D. 263,706 4/1982 Fukushima et al. D14/53
- D. 267,318 12/1982 Fukushima et al. D14/53
- D. 277,377 1/1985 Tarao D14/53
- D. 283,509 4/1986 Shibayama et al. D14/53
- D. 286,282 10/1986 Asaki D14/53
- D. 291,199 8/1987 Watanabe .
- D. 291,564 5/1987 Kajita D14/53
- 292,206 10/1883 Watanabe .
- 4,646,344 2/1987 Goldhorn et al. 379/445 X
- 4,713,836 12/1987 Suzuki 379/58

OTHER PUBLICATIONS

Personal Communication Technology, Dec. 1985: at p.

17, American Cellular Phones; p. 23, IDC Trans-Pak; back cover; NEC Cellular Phone.

4 page NEC brochure; NEC Mobile Phones; Various Examples.

1984 ©Motorola Inc. Flyer; Showing DYNAT-A-L 6000X Cellular Transportable Accessory.

Primary Examiner—Horace B. Fay

Attorney, Agent, or Firm—Wenderoth, Lind & Ponack

[57] CLAIM

The ornamental design for a combination handset telephone, its stand, and a carrier case therefor, as shown and described.

DESCRIPTION

FIGS. 1 and 2 are respectively front and rear elevational views of the handset telephone and its stand showing them in cradled relationship separately from the carrier case for clarity of illustration;

FIGS. 3 and 4 are respectively right and left elevational views of the FIGS. 1 and 2 portrayal;

FIGS. 5 and 6 are respectively top and bottom plan views of the FIGS. 1 and 2 portrayal;

FIG. 7 is a sectional view taken along line VII—VII in FIG. 1 with interior construction omitted;

FIG. 8 is a left side, top and front perspective view of the FIGS. 1 and 2 portrayal; and,

FIG. 9 is a rear, top and left side perspective view of the carrier case in opened condition with its cover pulled aside to show the handset telephone and stand contained therewithin.

The showing of the carrier case's handle strap in fragmentary form in FIG. 9 is for ease of illustration and clarity of presentation. That part of the carrier case cover not visible is plain and unadorned.

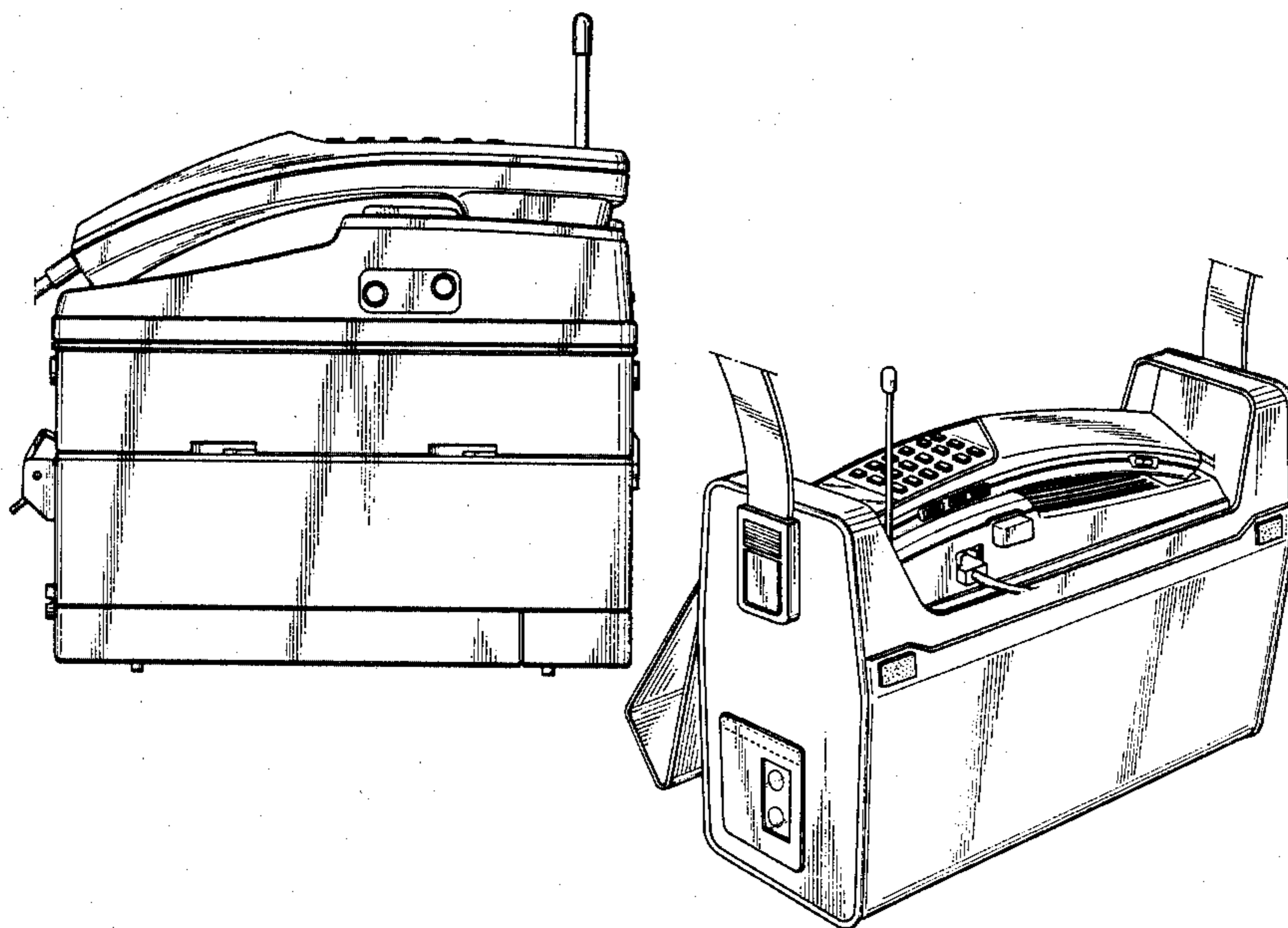


Fig. 1

Fig. 2

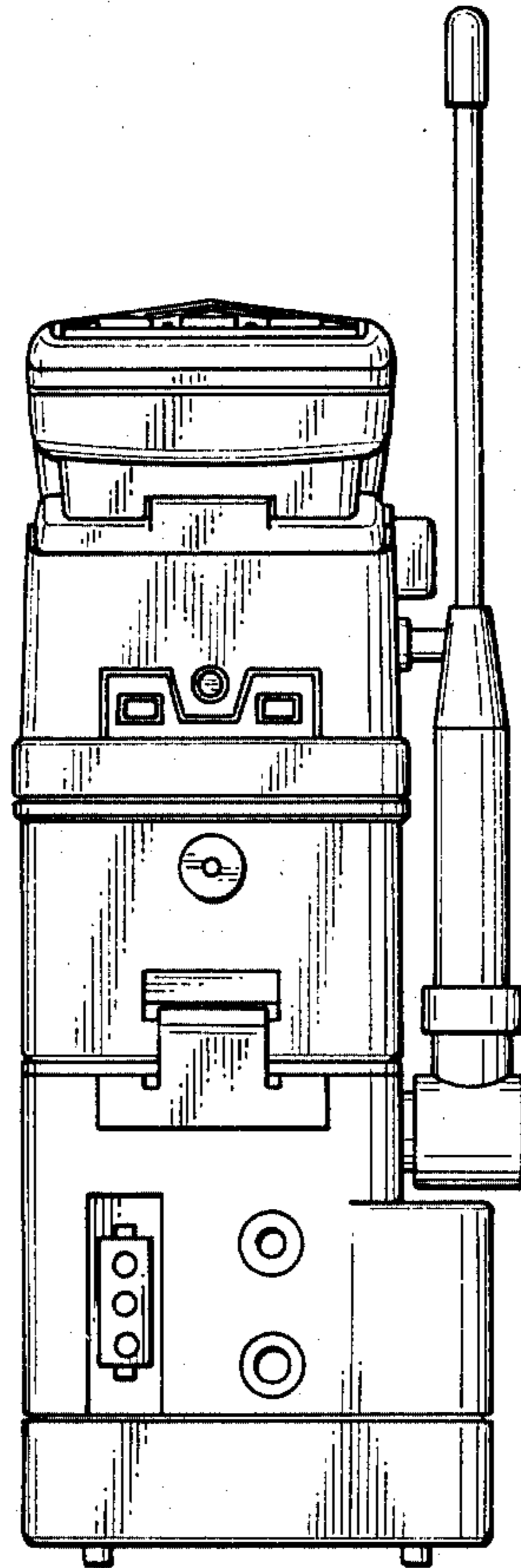
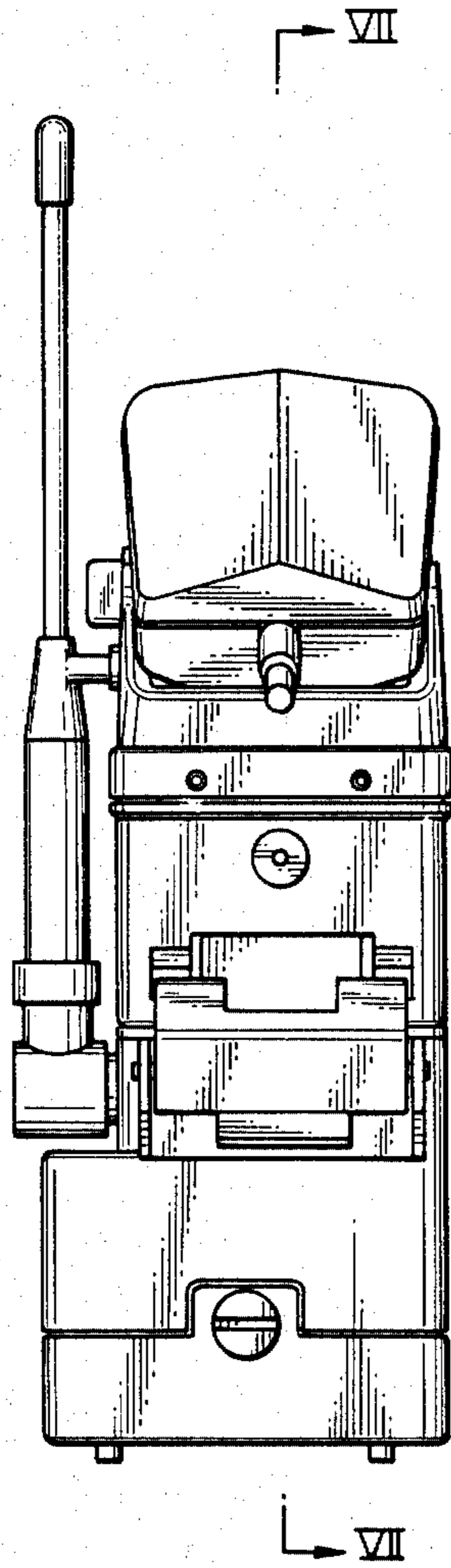


Fig. 3

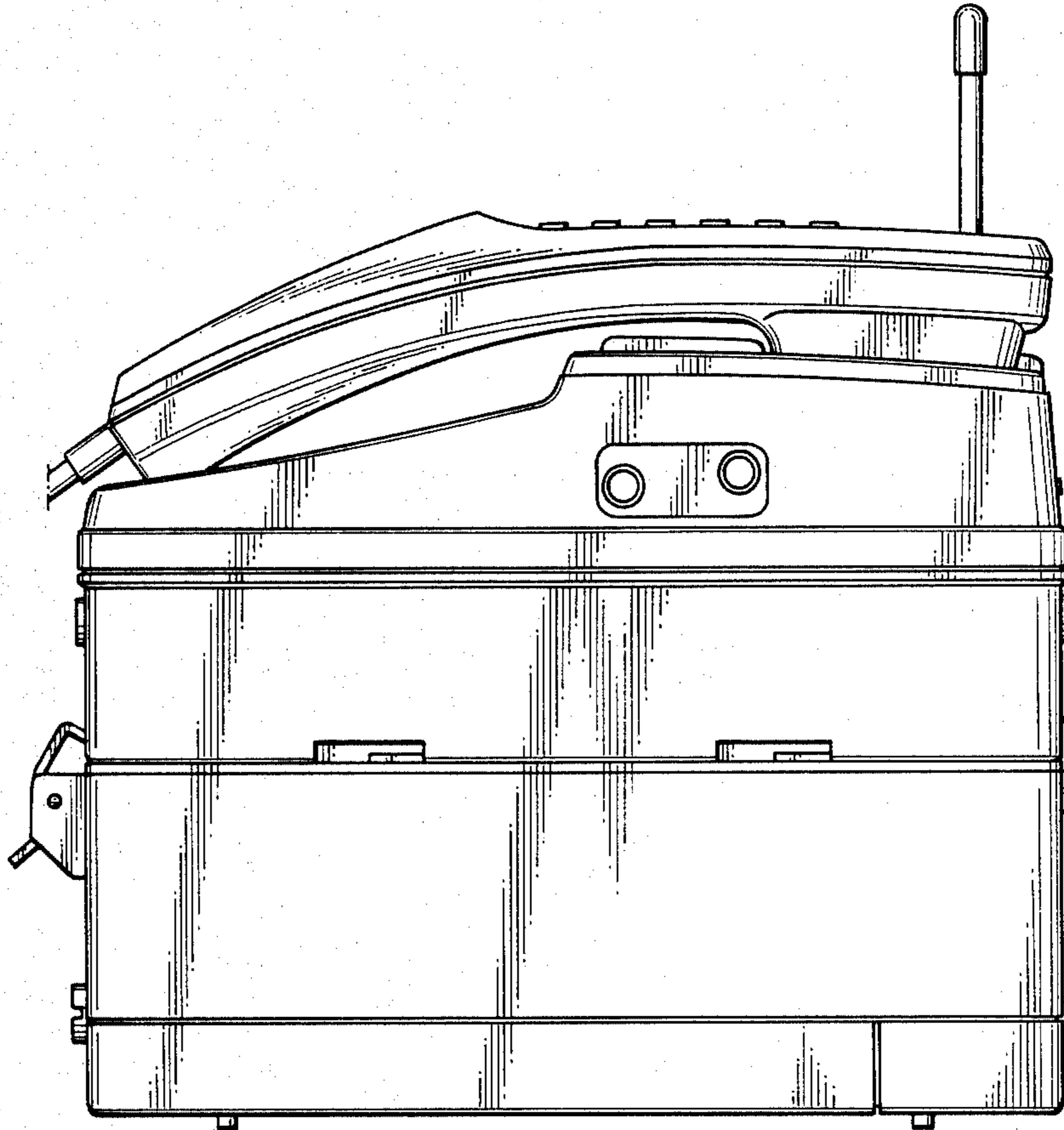


Fig. 4

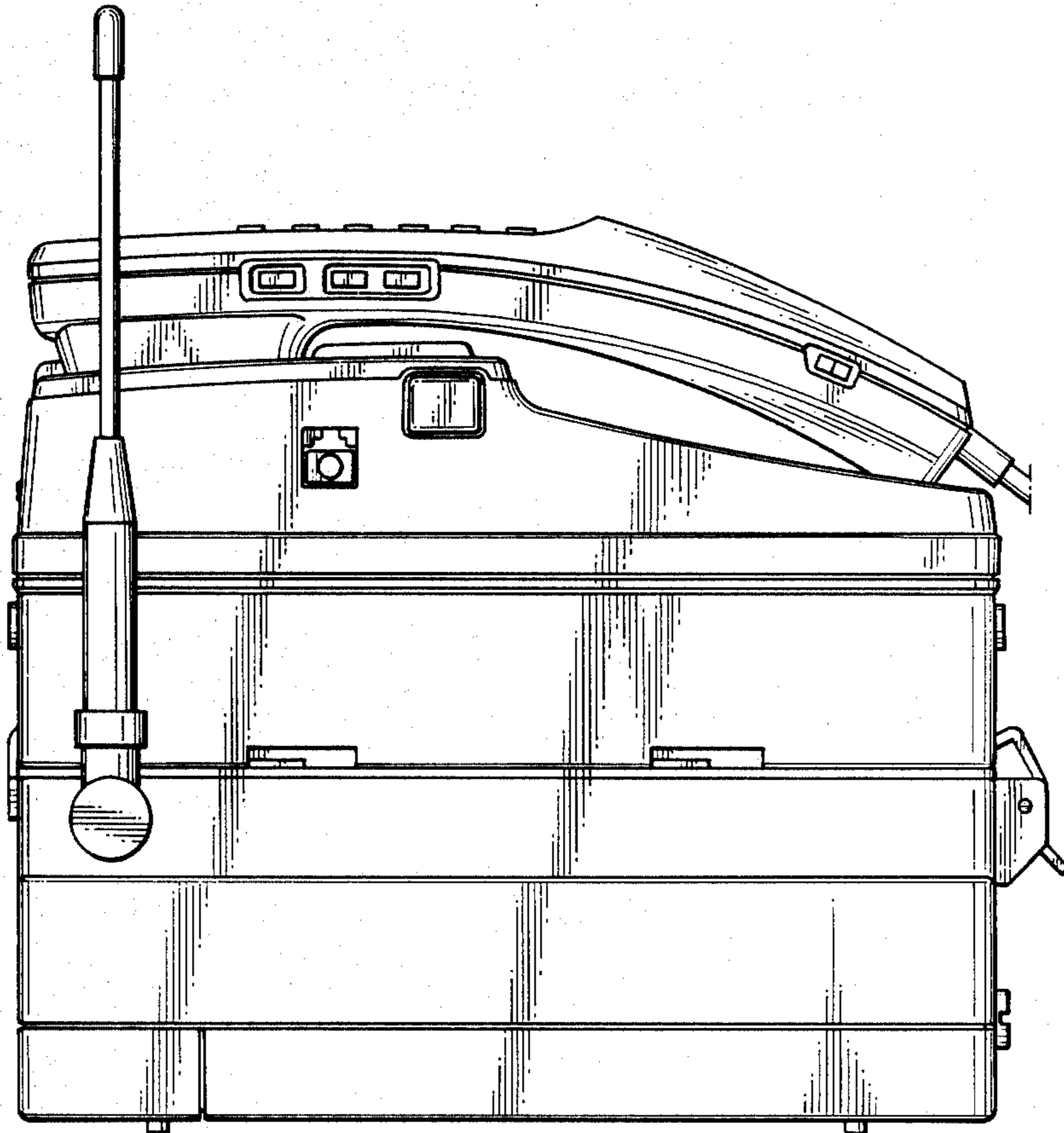


Fig. 5

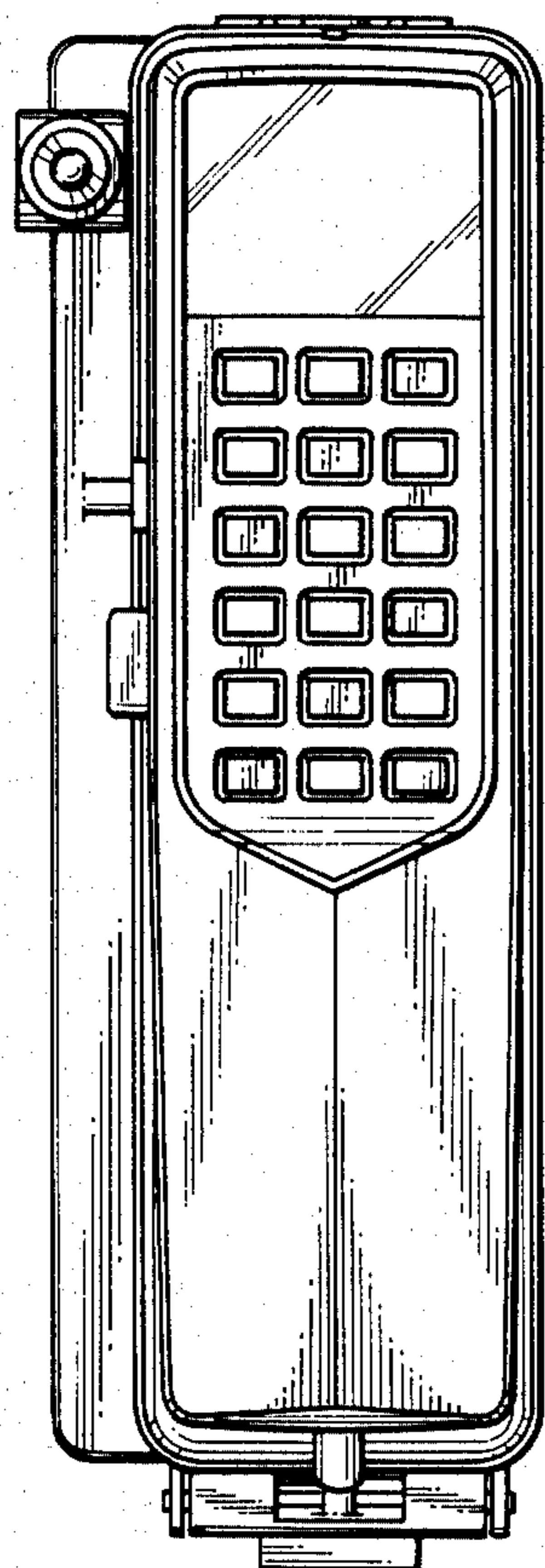


Fig. 6

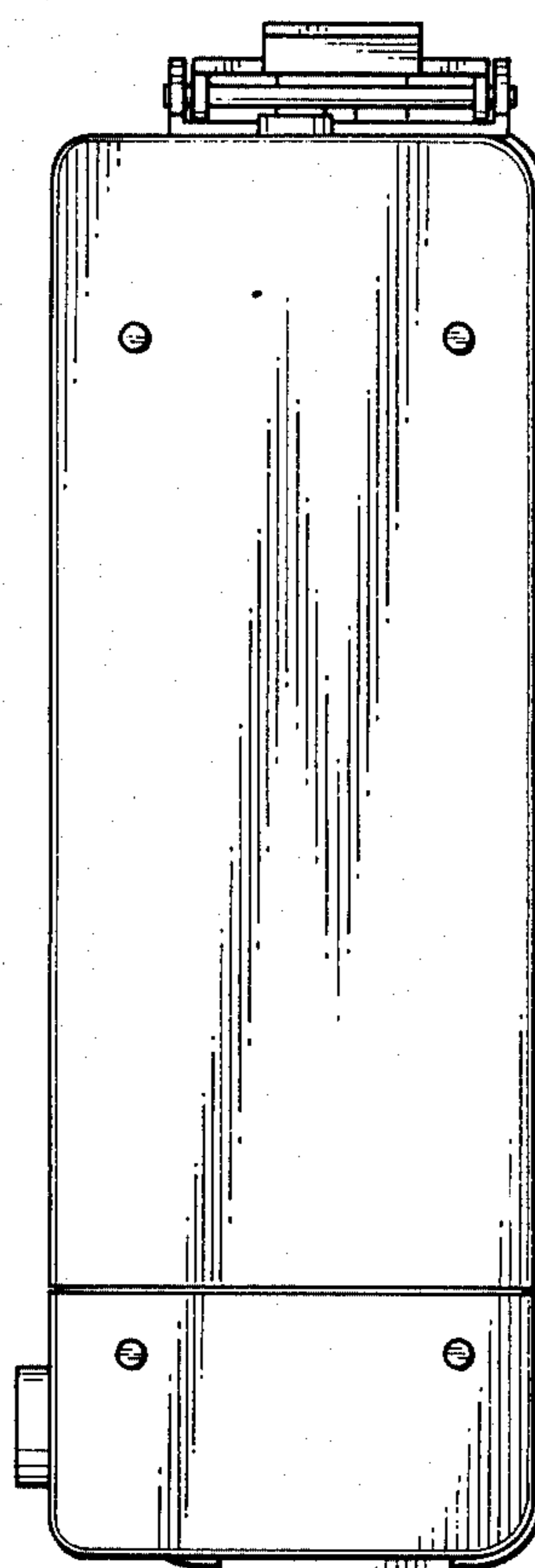


Fig. 7

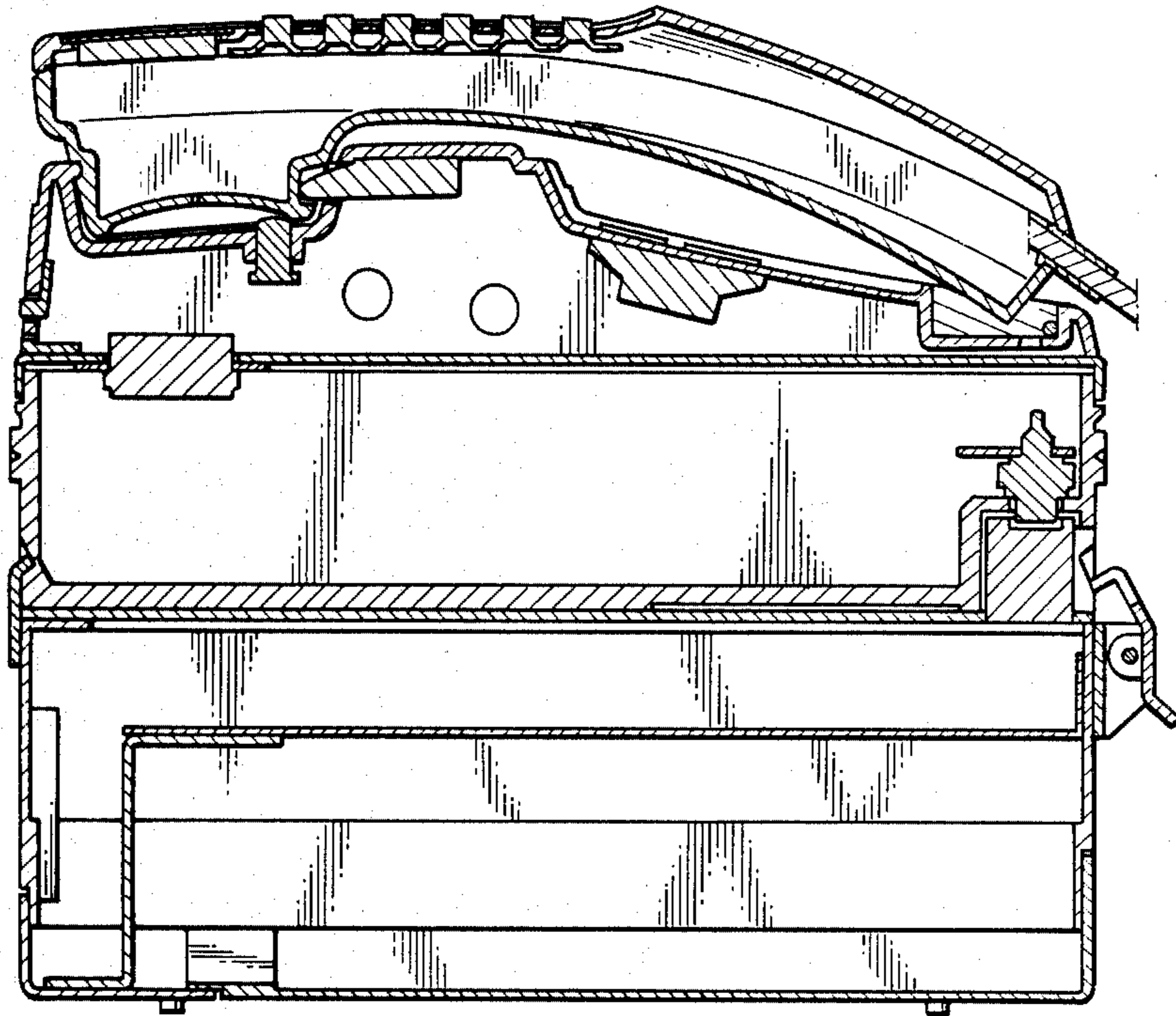


Fig. 8

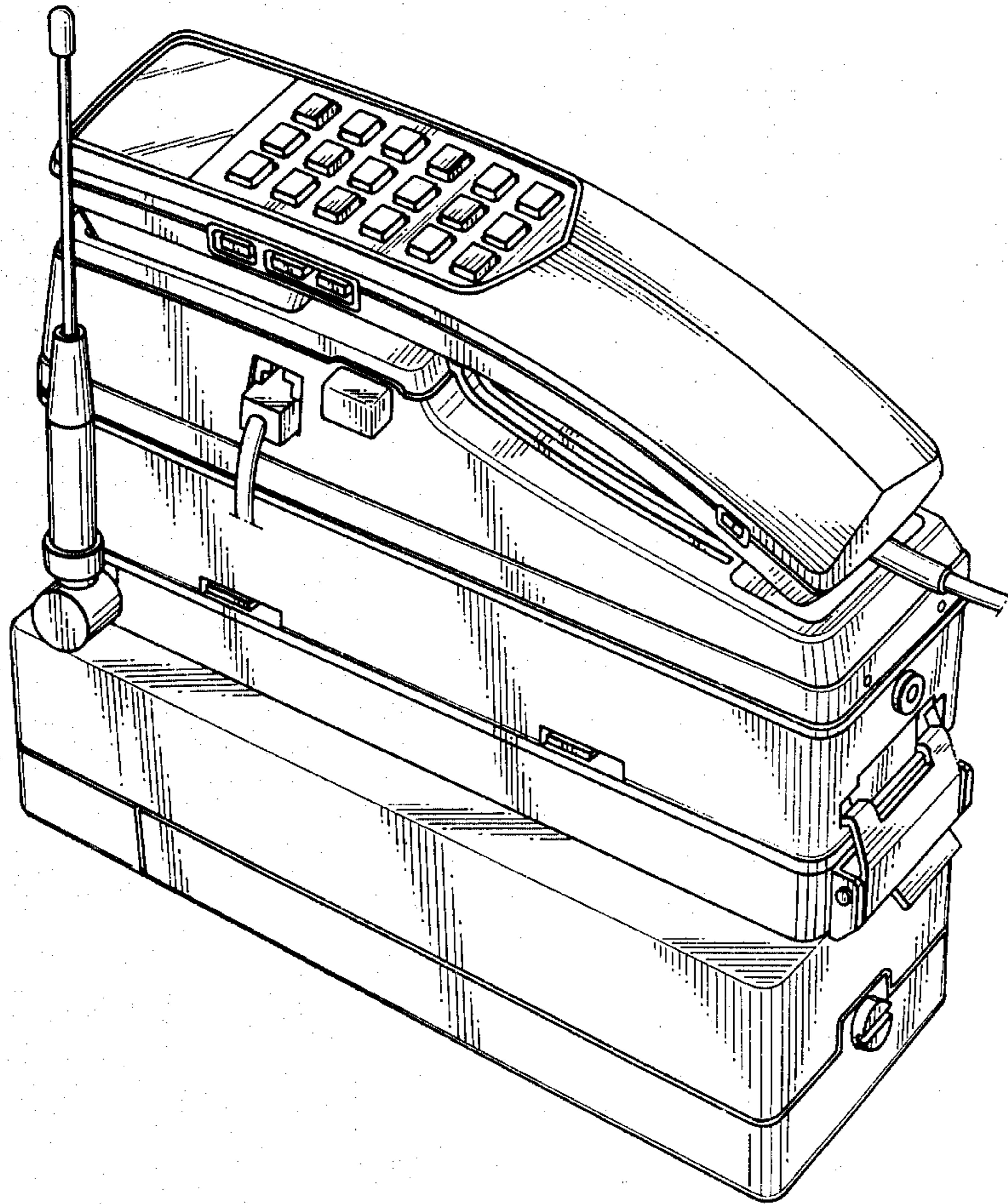


Fig. 9

