

[54] VEHICLE ARTICLE CARRIER CLAMPING SUPPORT

4,501,385 2/1985 Bott ..... 224/319  
4,501,386 2/1985 Rasor et al. .... 224/326

[76] Inventor: Lewis L. Robson, 78 Holt Street, Taren Point, New South Wales, Australia

FOREIGN PATENT DOCUMENTS

971140 7/1975 Canada .  
552426 12/1956 Italy .  
91290 3/1958 Norway .

[\*\*] Term: 14 Years

[21] Appl. No.: 704,528

Primary Examiner—James M. Gandy  
Attorney, Agent, or Firm—Saidman, Sterne, Kessler & Goldstein

[22] Filed: Feb. 22, 1985

[30] Foreign Application Priority Data

Aug. 24, 1984 [AU] Australia ..... 8646/84

[52] U.S. Cl. .... D12/157

[58] Field of Search ..... D12/157; D8/382, 383; 224/321, 322, 324, 225, 326, 329, 330, 331

[57] CLAIM

The ornamental design for a vehicle article carrier clamping support, as shown and described.

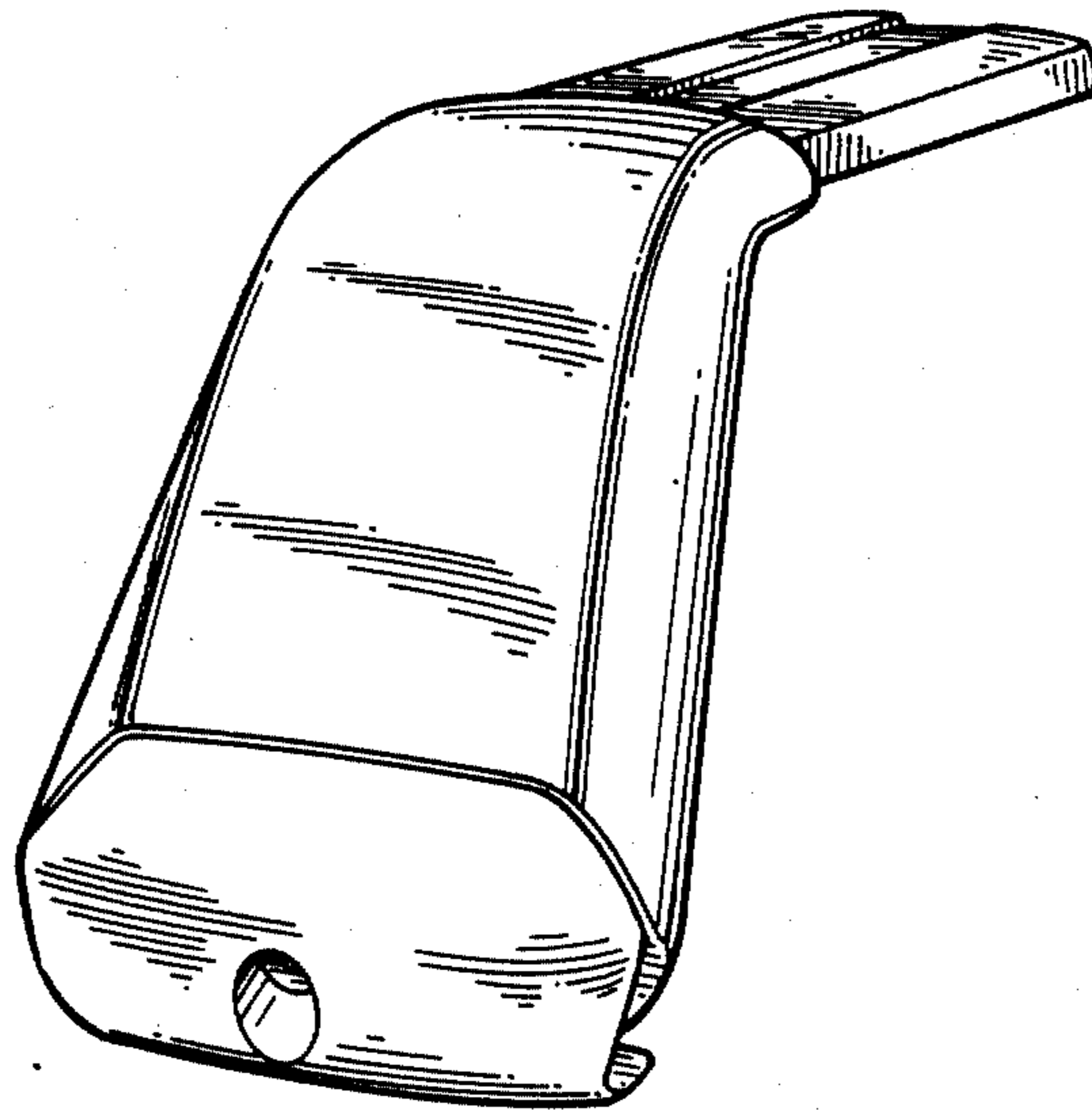
[56] References Cited

U.S. PATENT DOCUMENTS

3,261,520 7/1966 Andersson ..... 224/42.1  
4,156,497 5/1979 Bott ..... 224/326  
4,165,827 8/1979 Bott ..... 224/326  
4,264,025 4/1981 Ferguson et al. .... 224/321  
4,289,260 9/1981 Zoor ..... 224/331  
4,299,346 11/1981 Helm ..... 224/325  
4,406,386 9/1983 Rasor et al. .... 224/321  
4,448,336 5/1984 Bott ..... 224/309

DESCRIPTION

FIG. 1 is a perspective view of a vehicle article carrier clamping support showing my new design; FIG. 2 is an exploded perspective view thereof; FIG. 3 is a side elevational view thereof, the opposite side being a mirror image of that shown; FIG. 4 is a top plan view thereof; FIG. 5 is a front elevational view thereof; FIG. 6 is a bottom plan view thereof; FIG. 7 is a rear elevational view thereof; and FIG. 8 is a sectional view thereof taken along line 8—8 in FIG. 4.



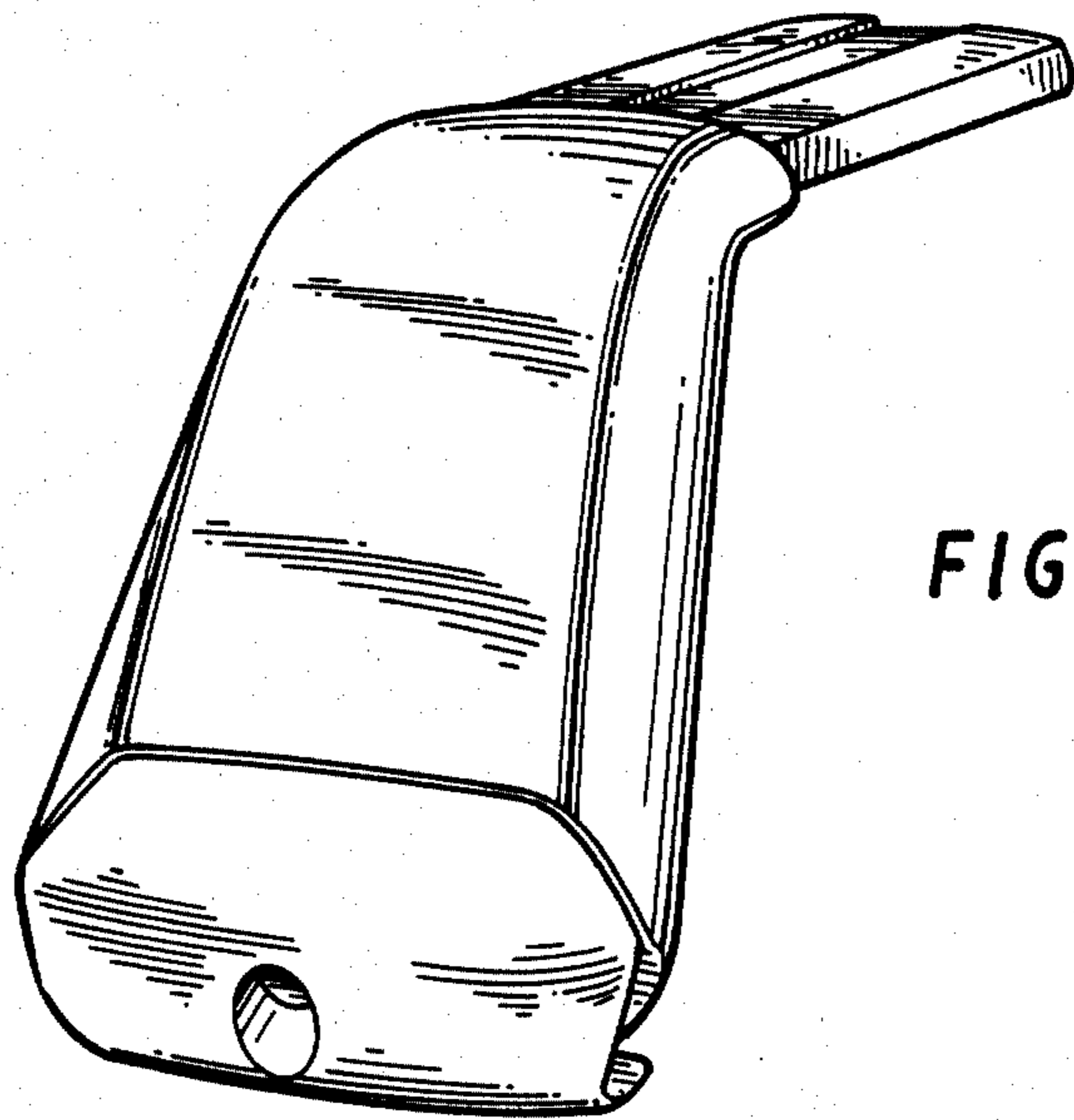


FIG. 1

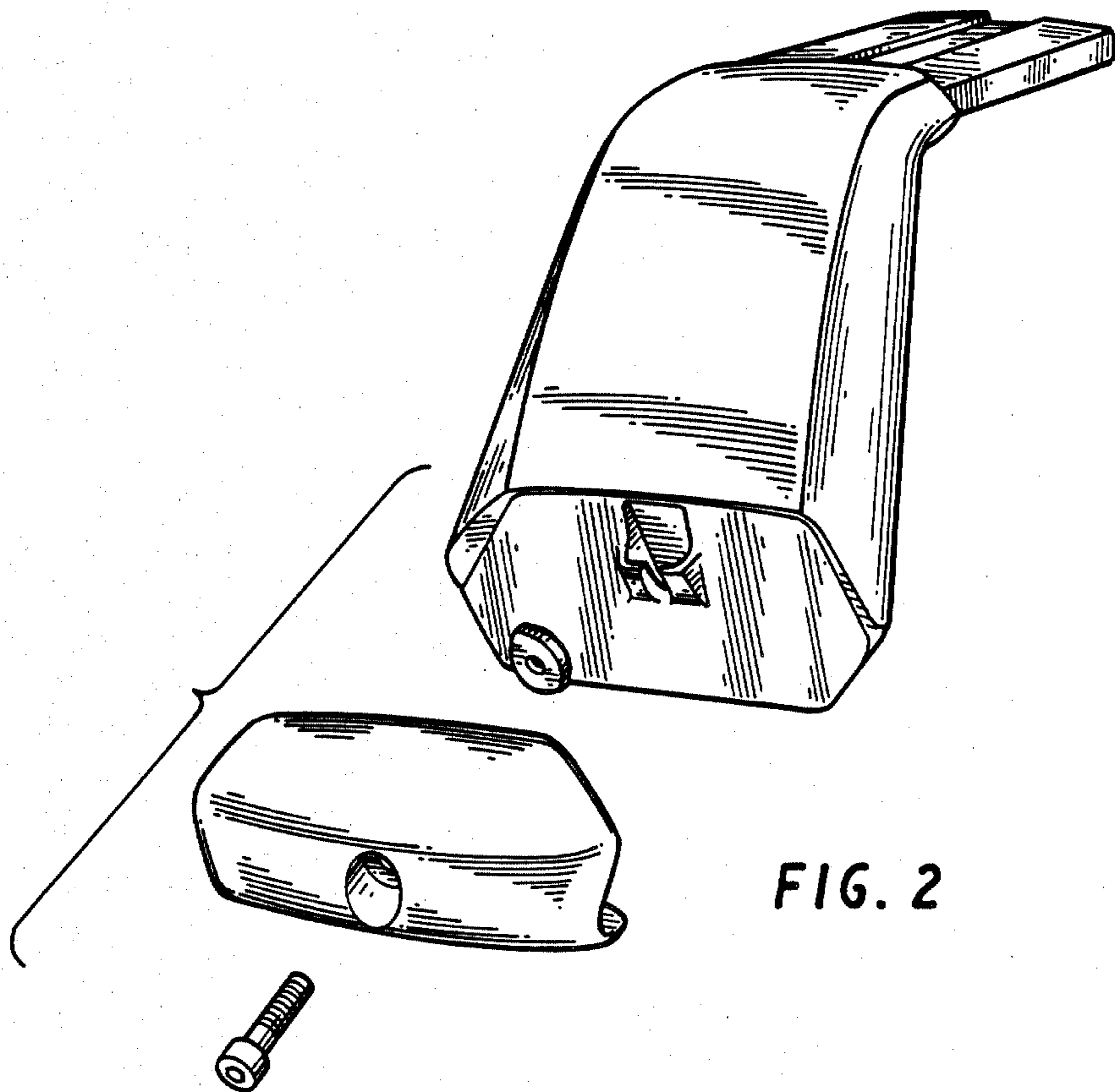


FIG. 2

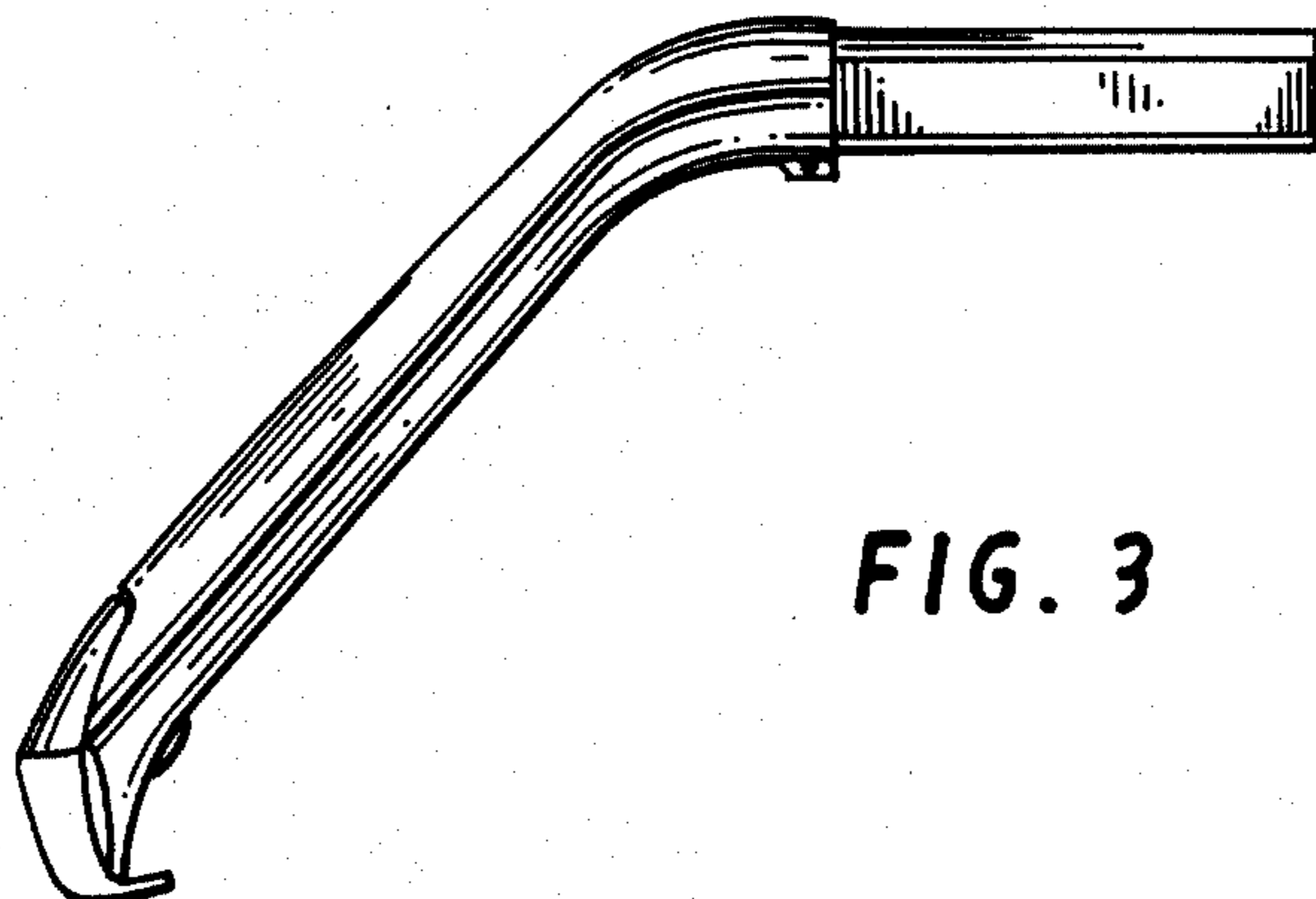


FIG. 3

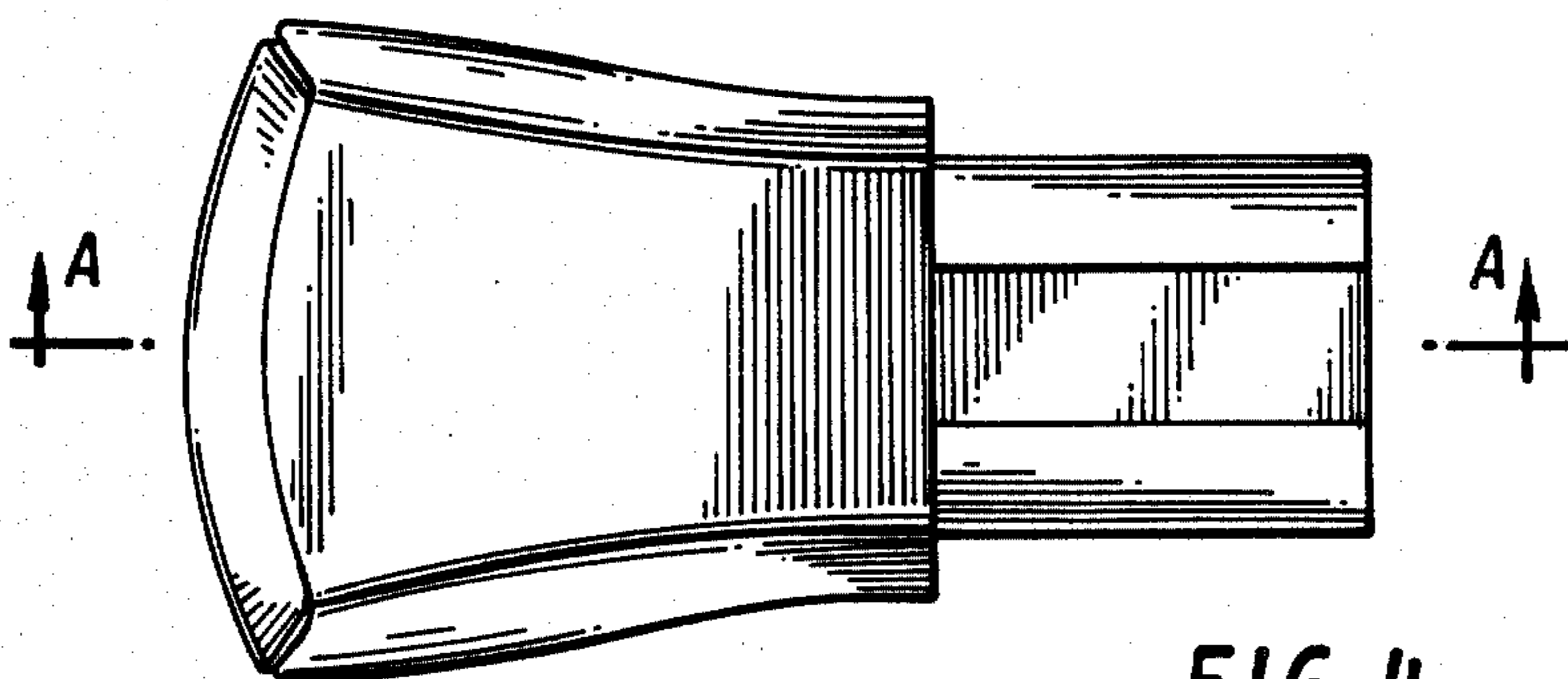


FIG. 4

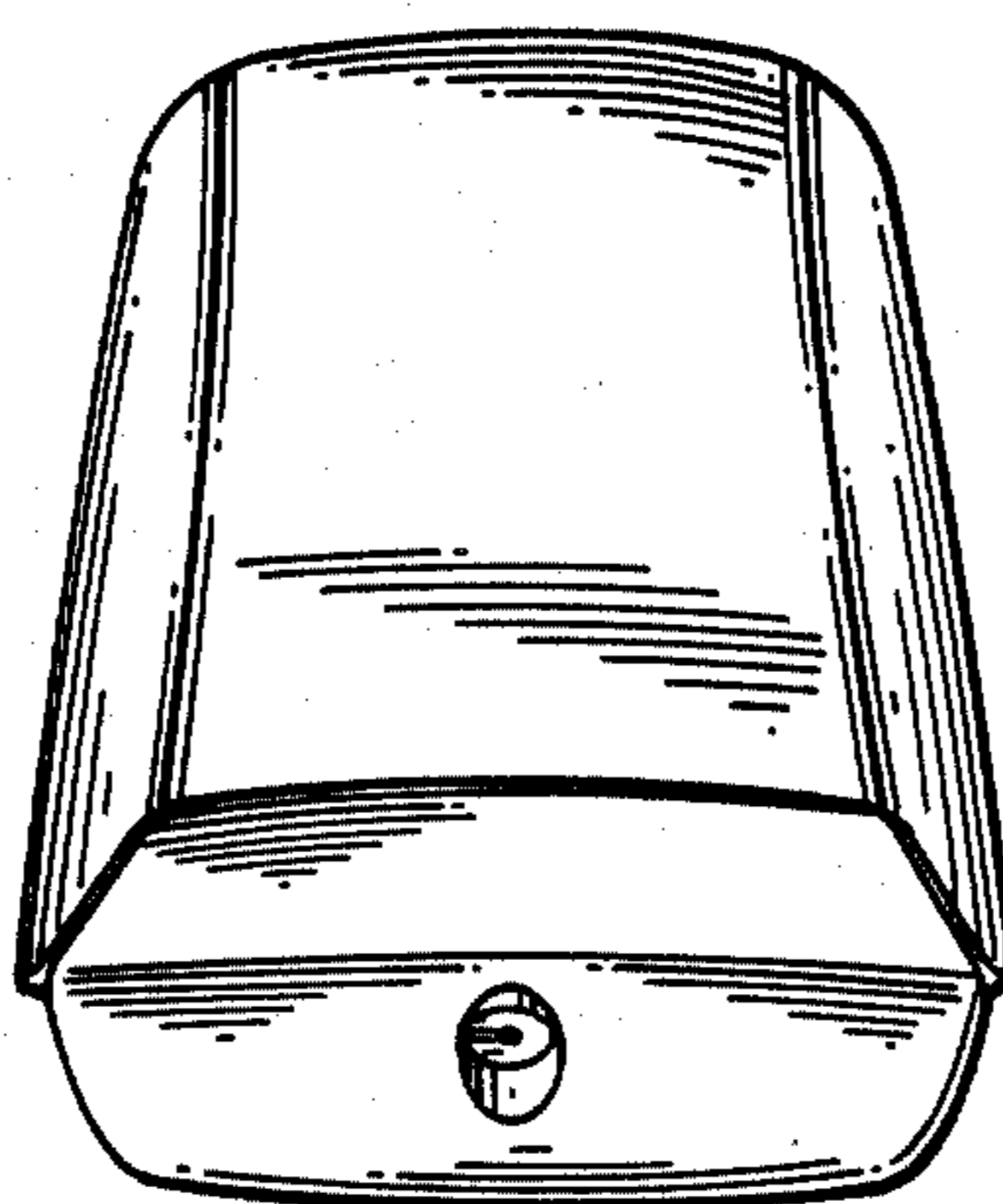


FIG. 5

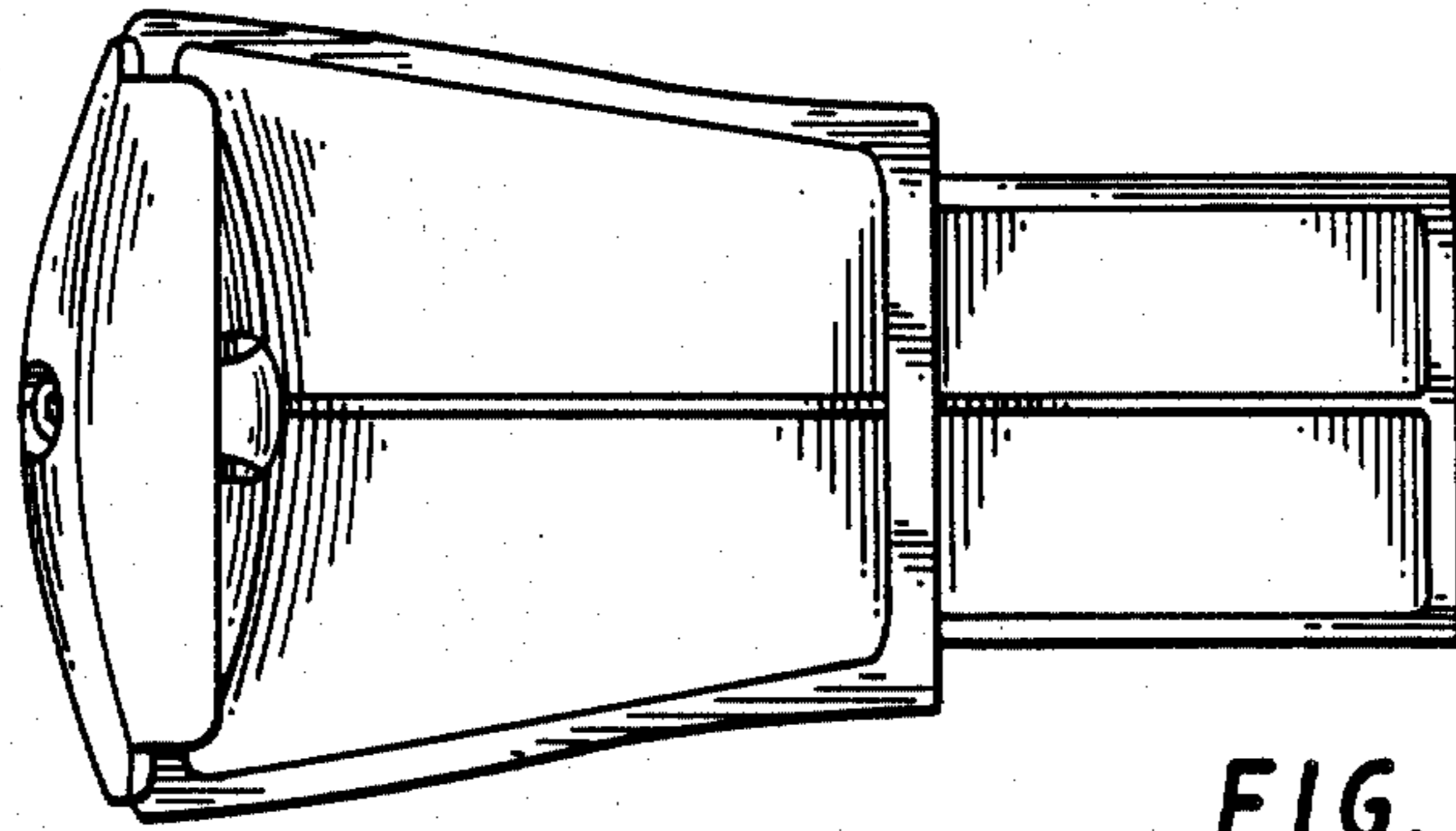


FIG. 6

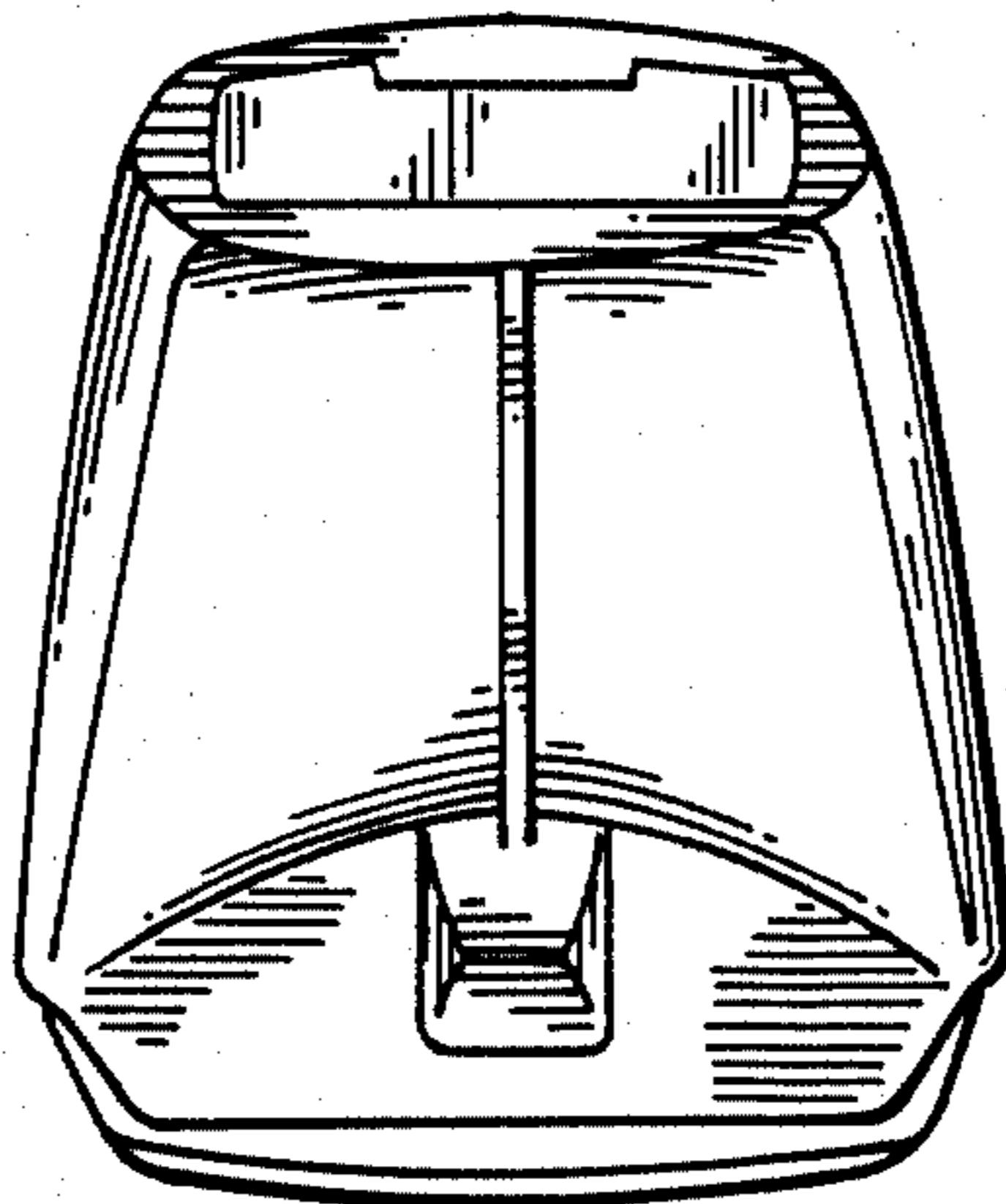


FIG. 7

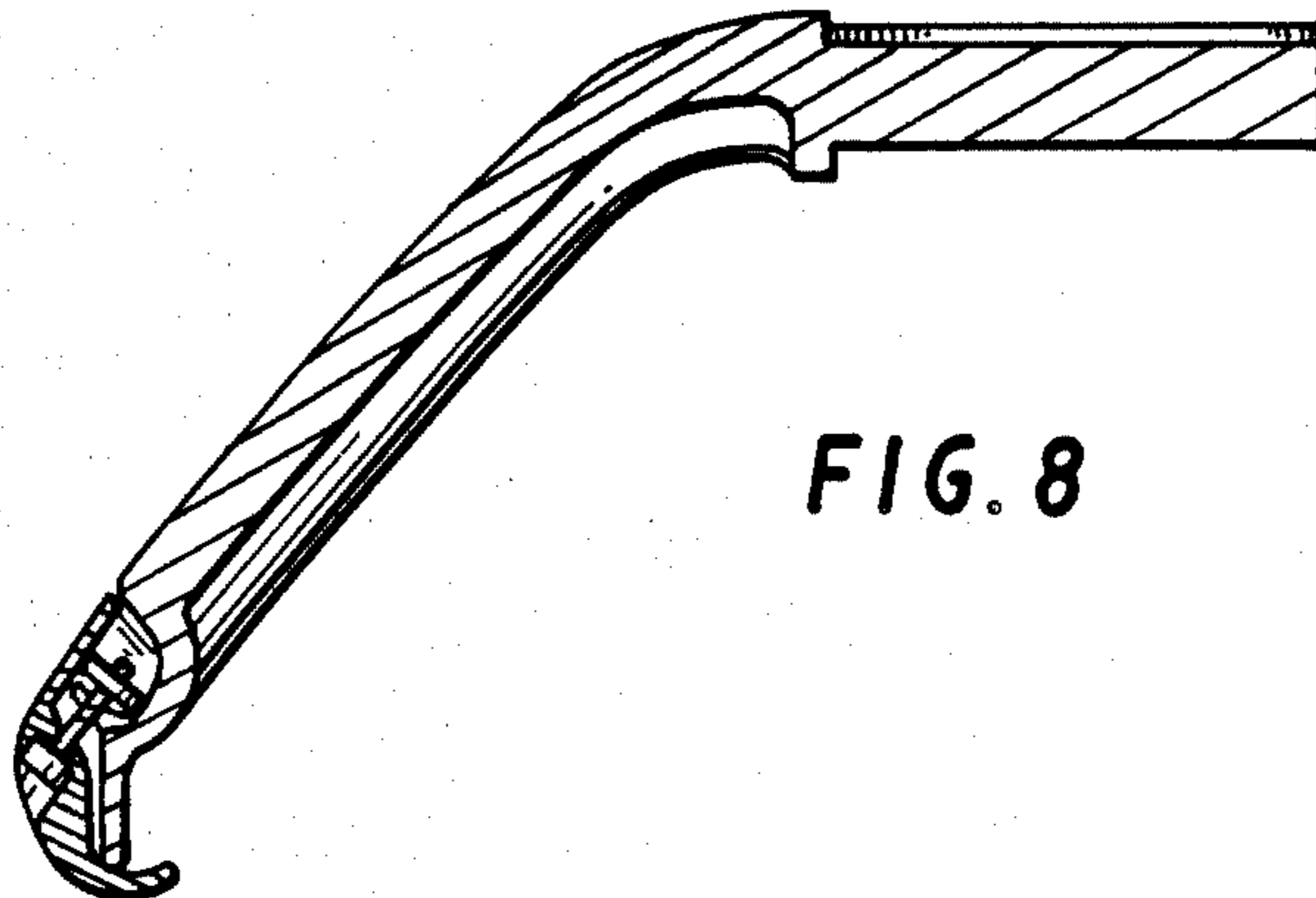


FIG. 8