

[54] MINILIGHT TREE CLIP

[75] Inventors: Willard C. Doty; Michael T. Hegland, both of Minneapolis, Minn.

[73] Assignee: Mixalloy Limited, Clywd, Wales

[**] Term: 14 Years

[21] Appl. No.: 792,922

[22] Filed: Oct. 30, 1985

[52] U.S. Cl. D8/395; D8/373; D26/138

[58] Field of Search 362/396, 191; D13/25; D26/25, 113, 138, 140; D8/394, 395, 373; 439/527, 382, 384, 385; 248/313, 316.1, 316.7, 113; 24/335, 336

3,340,390 9/1967 Imre 240/10

3,452,955 7/1969 Hartwig 248/316.7

3,540,687 11/1970 Cuva 248/316

3,700,879 10/1972 Franc 240/10 R

4,121,798 10/1978 Schumacher et al. 24/336 X

4,188,658 2/1980 Aron 362/396

4,491,902 1/1985 Cangelosi 362/389

Primary Examiner—Susan J. Lucas
 Attorney, Agent, or Firm—Kinney & Lange

[57] CLAIM

The ornamental design for a minilight tree clip, as shown and described.

DESCRIPTION

FIG. 1 is a top, front, left side perspective view of a minilight tree clip showing our new design, the light being shown in broken lines for illustrative purposes only;

FIG. 2 is a top plan view thereof;

FIG. 3 is a bottom plan view thereof;

FIG. 4 is a front elevational view thereof;

FIG. 5 is a rear elevational view thereof; and

FIG. 6 is a right side elevational view thereof.

[56] References Cited
 U.S. PATENT DOCUMENTS

1,625,248	4/1927	Eckstein .	
1,895,656	1/1933	Gadke	439/575 X
2,453,695	11/1948	Belling	240/10
2,782,296	2/1957	Walter	240/10
3,321,730	5/1967	Schlangen	339/12

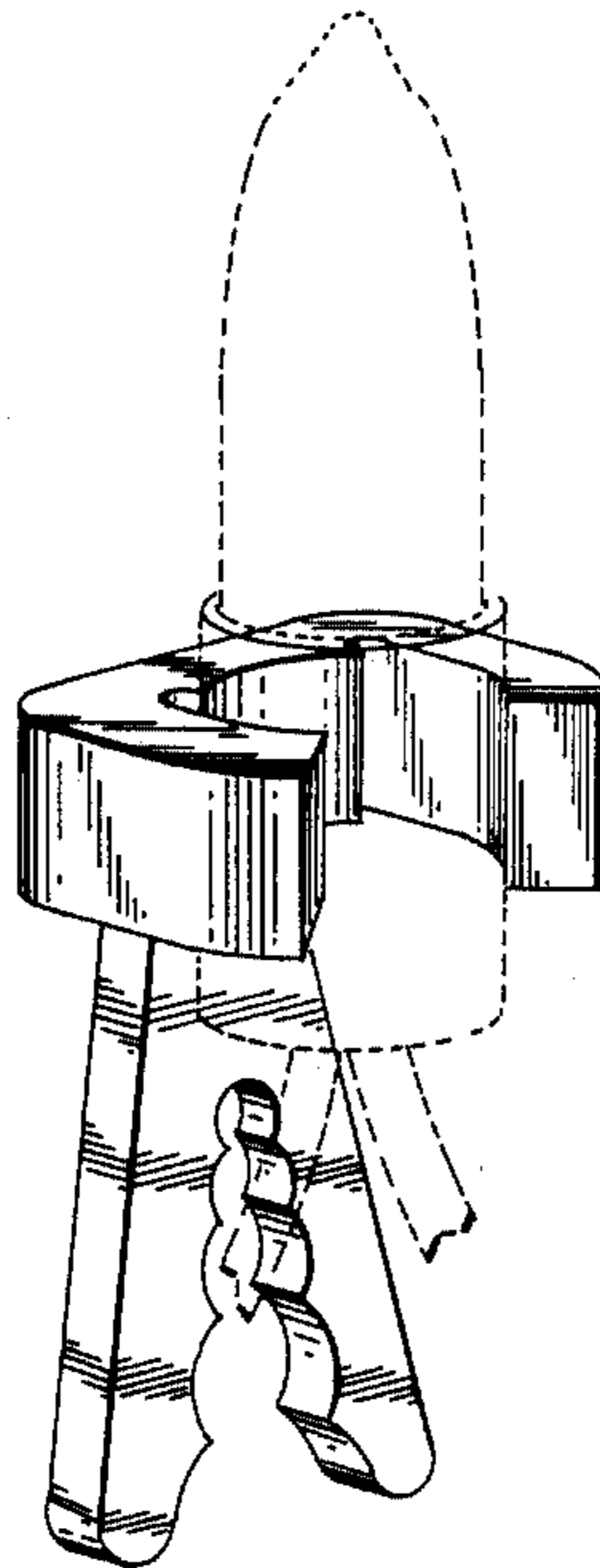


Fig.1

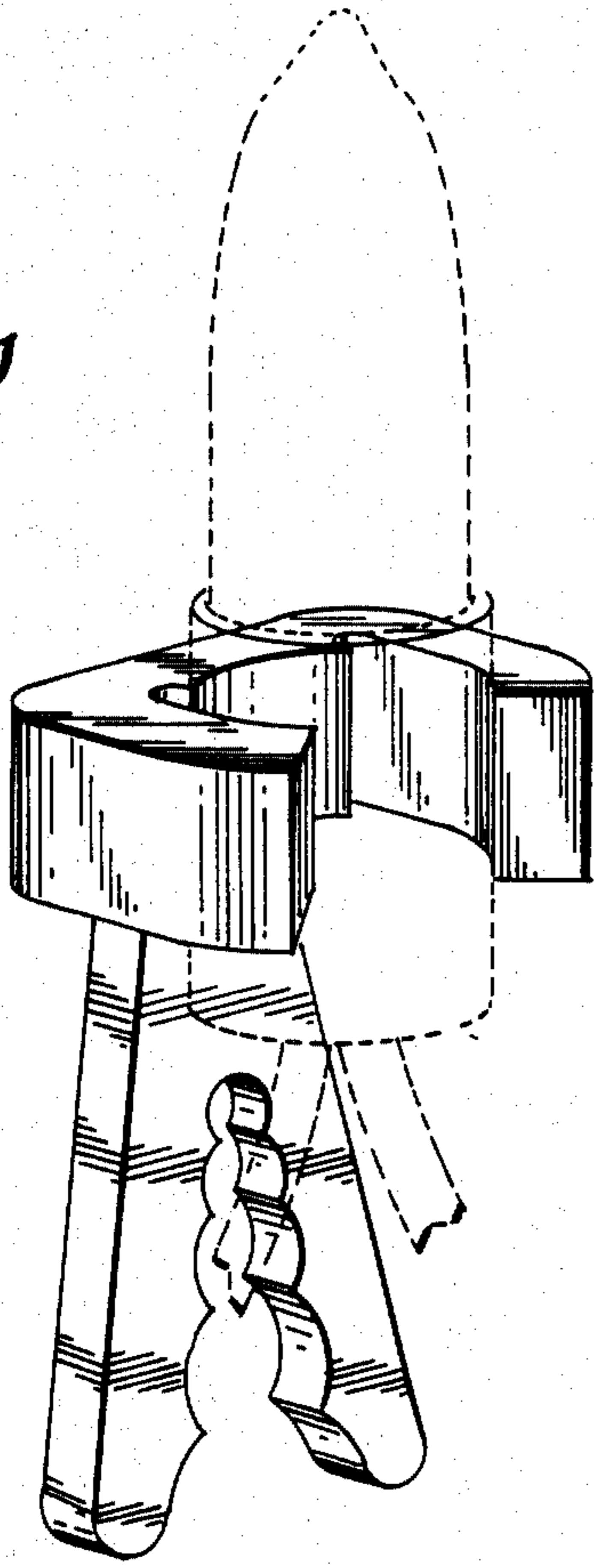


Fig.2

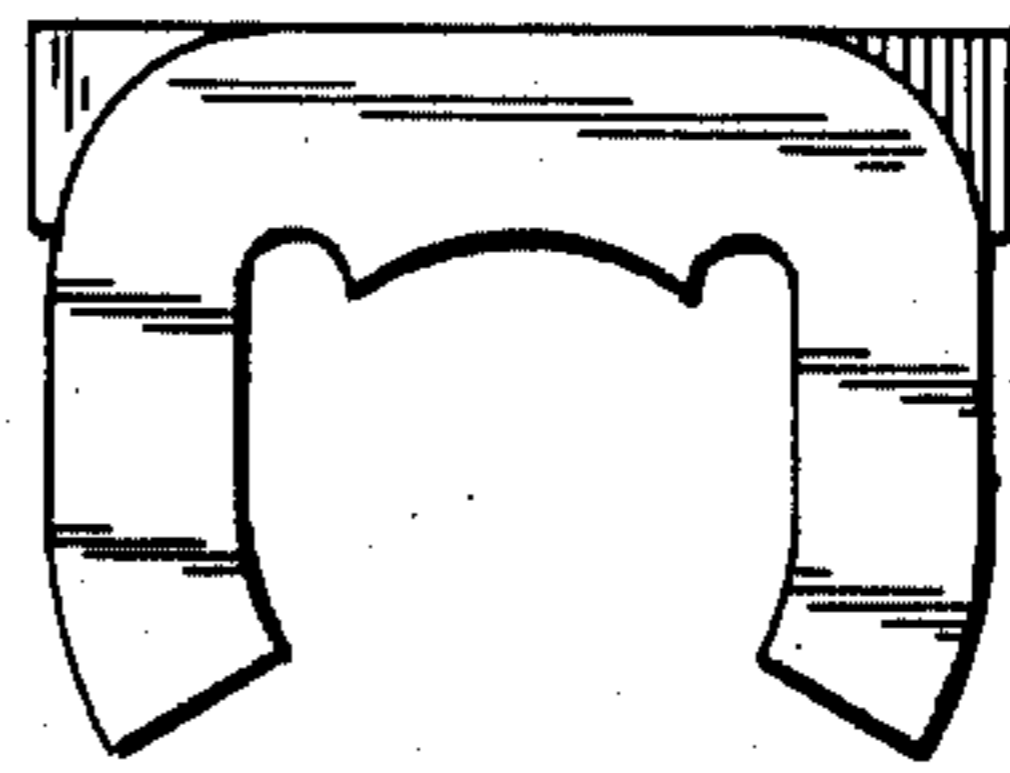


Fig.3

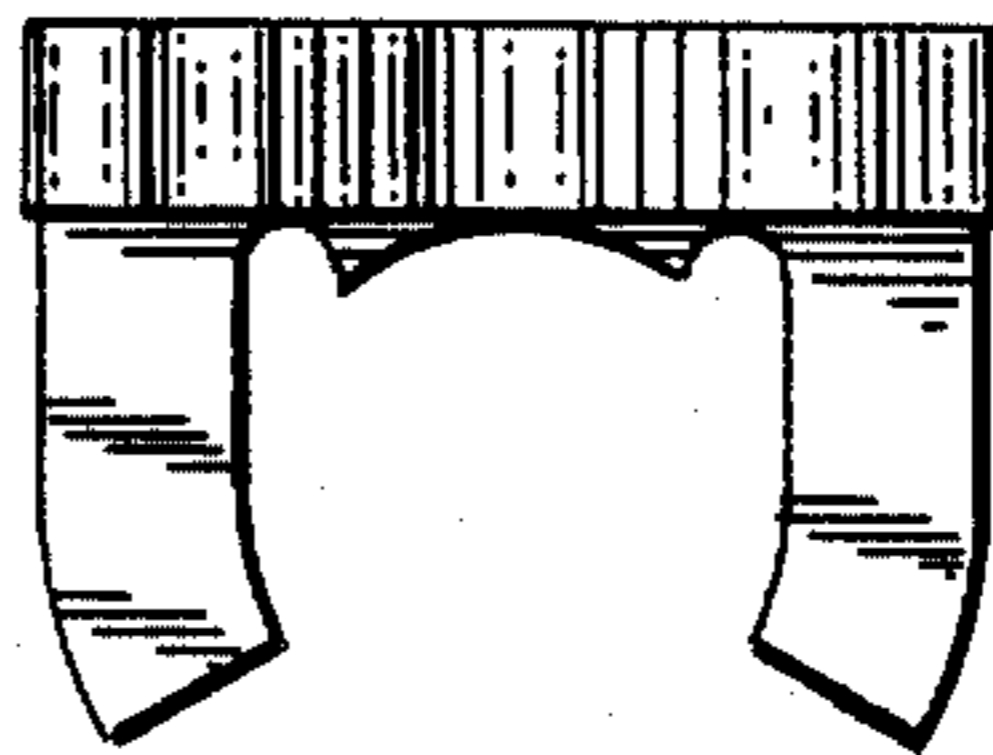


Fig.4

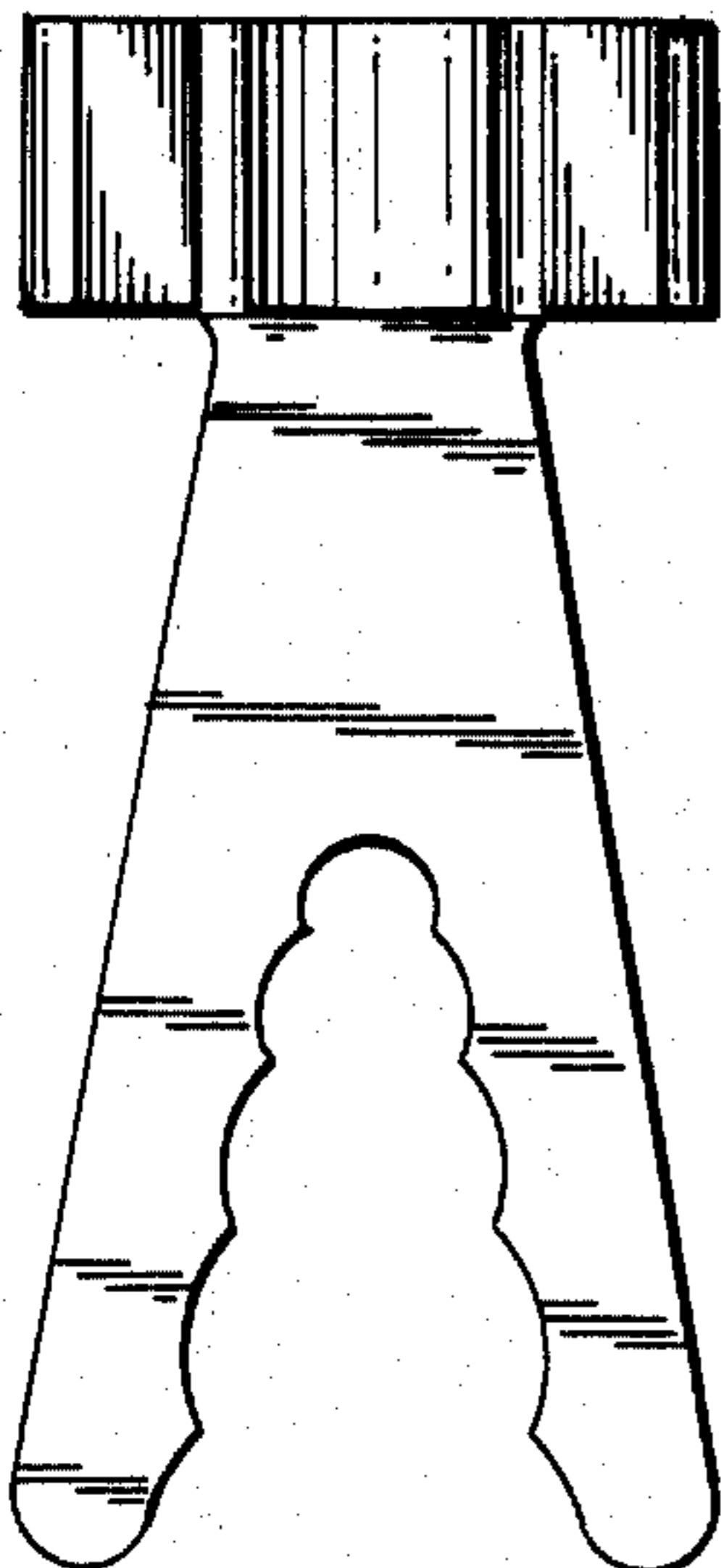


Fig.5

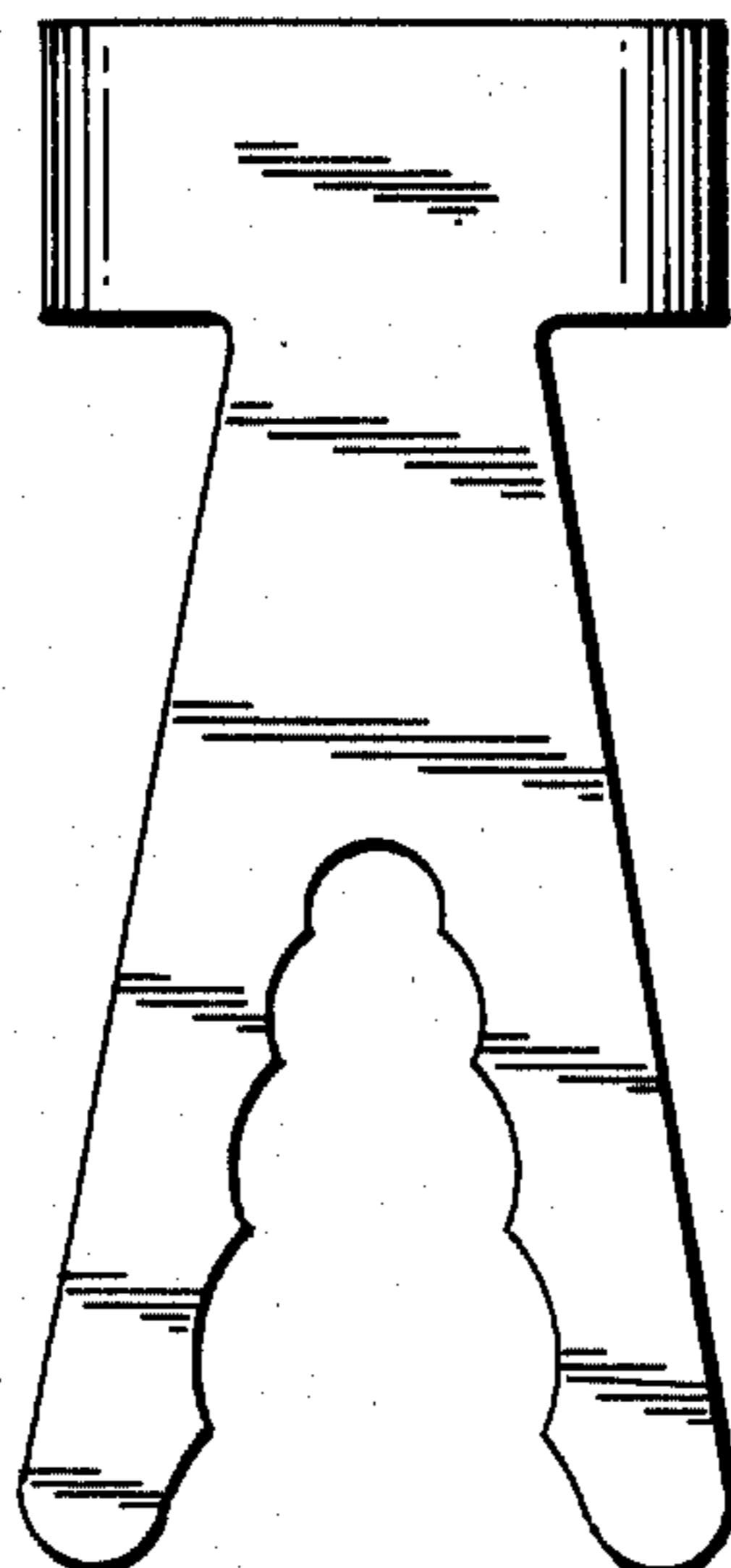


Fig.6



UNITED STATES PATENT AND TRADEMARK OFFICE
CERTIFICATE OF CORRECTION

PATENT NO. : Des. 297,616
DATED : September 13, 1988
INVENTOR(S) : Willard C. Doty et al

It is certified that error appears in the above-identified patent and that said Letters Patent is hereby corrected as shown below:

On the front page of the patent, please delete as
Assignee:
" [73] Assignee: Mixalloy Limited, Clywd, Wales "

Signed and Sealed this
Twenty-second Day of August, 1989

Attest:

DONALD J. QUIGG

Attesting Officer

Commissioner of Patents and Trademarks