

United States Patent [19]

Yokoyama et al.

[11] Patent Number: **Des. 297,614**

[45] Date of Patent: **** Sep. 13, 1988**

[54] PANEL FASTENER OR THE LIKE

[75] Inventors: **Naoshi Yokoyama; Tutomu Kadomiya; Kunihiko Fukuhara; Yoshimi Kondo**, all of Yokohama, Japan

[73] Assignee: **Nifco Inc.**, Yokohama, Japan

[**] Term: **14 Years**

[21] Appl. No.: **845,765**

[22] Filed: **Mar. 24, 1986**

[30] **Foreign Application Priority Data**

Sep. 30, 1985 [JP] Japan 60-41017
[52] U.S. Cl. **D8/3.82**
[58] Field of Search D8/382, 385, 386, 388;
411/500, 501, 504, 907, 44, 57; 24/297, 703;
52/511

[56] **References Cited**

U.S. PATENT DOCUMENTS

4,122,583 10/1978 Grittner et al. 411/44
4,176,428 12/1979 Kimura 24/297
4,312,614 1/1982 Palmer et al. 411/508

Primary Examiner—B. J. Bullock
Attorney, Agent, or Firm—Trexler, Bushnell, Giangiorgi & Blackstone, Ltd.

[57] **CLAIM**

The ornamental design for a panel fastener or the like, as shown and described.

DESCRIPTION

FIG. 1 is a top plan view of a panel fastener or the like, showing our new design;
FIG. 2 is a bottom plan view thereof;
FIG. 3 is a front elevational view thereof;
FIG. 4 is a side elevational view taken from the right of FIG. 3;
FIG. 5 is a rear elevational view thereof;
FIG. 6 is a cross-sectional view thereof, the panels being shown in broken lines for illustrative purposes only
FIG. 7 is a top and front perspective view thereof.

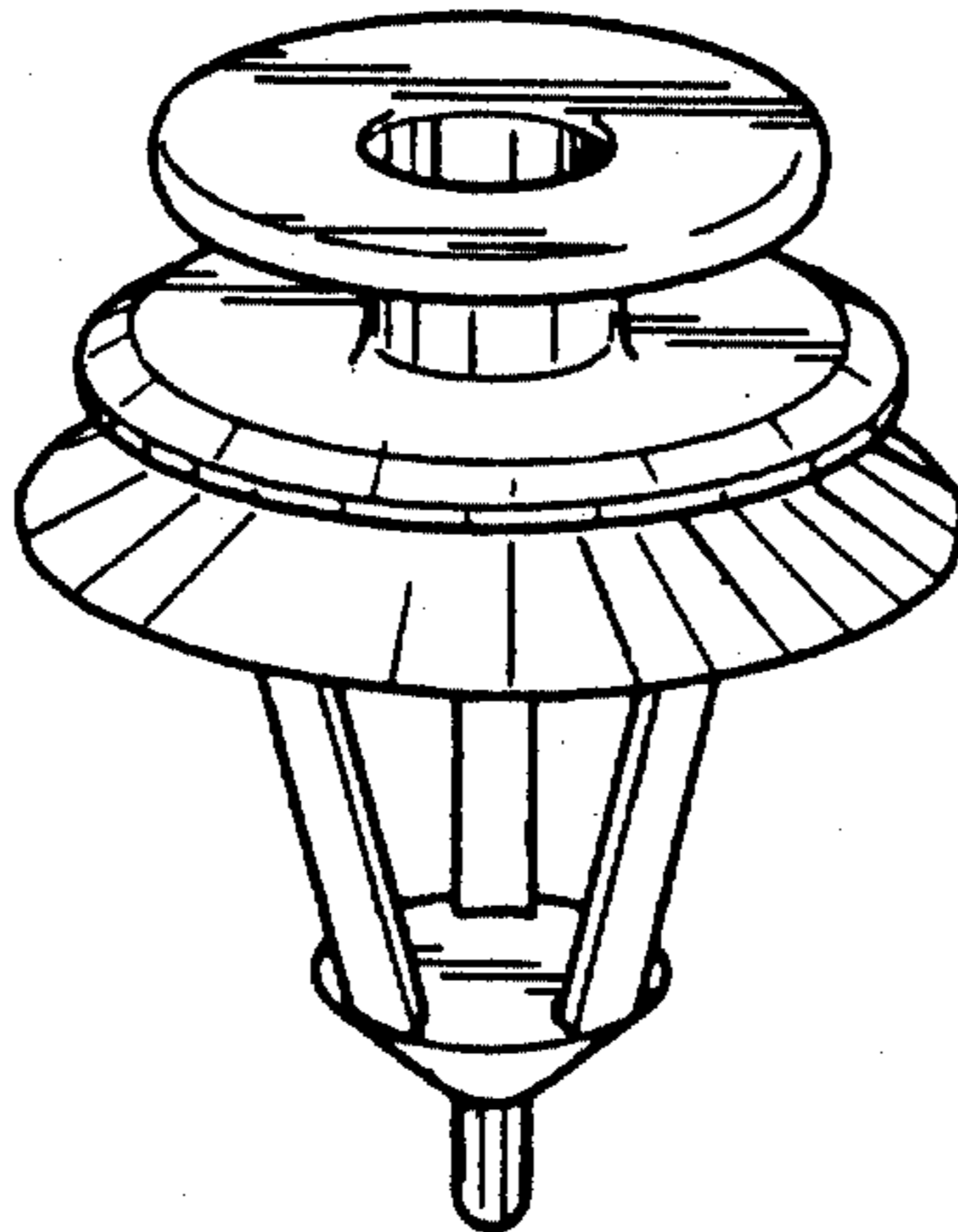


FIG. 1

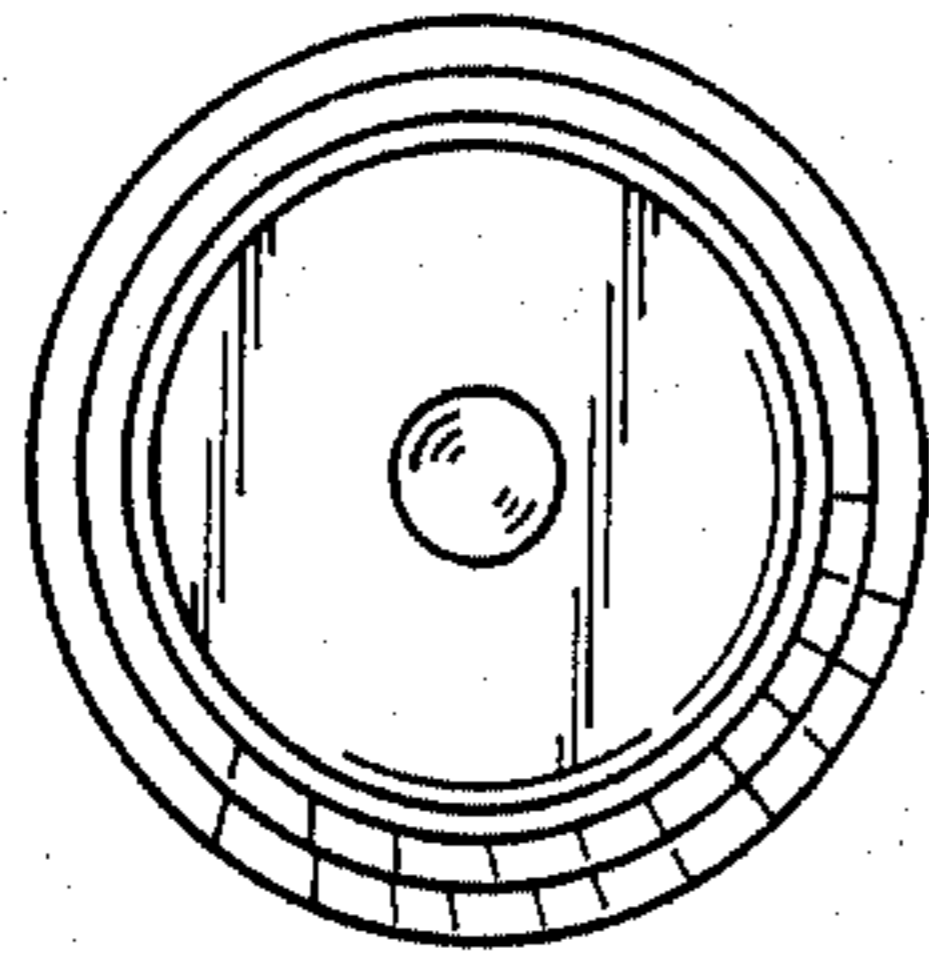


FIG. 2

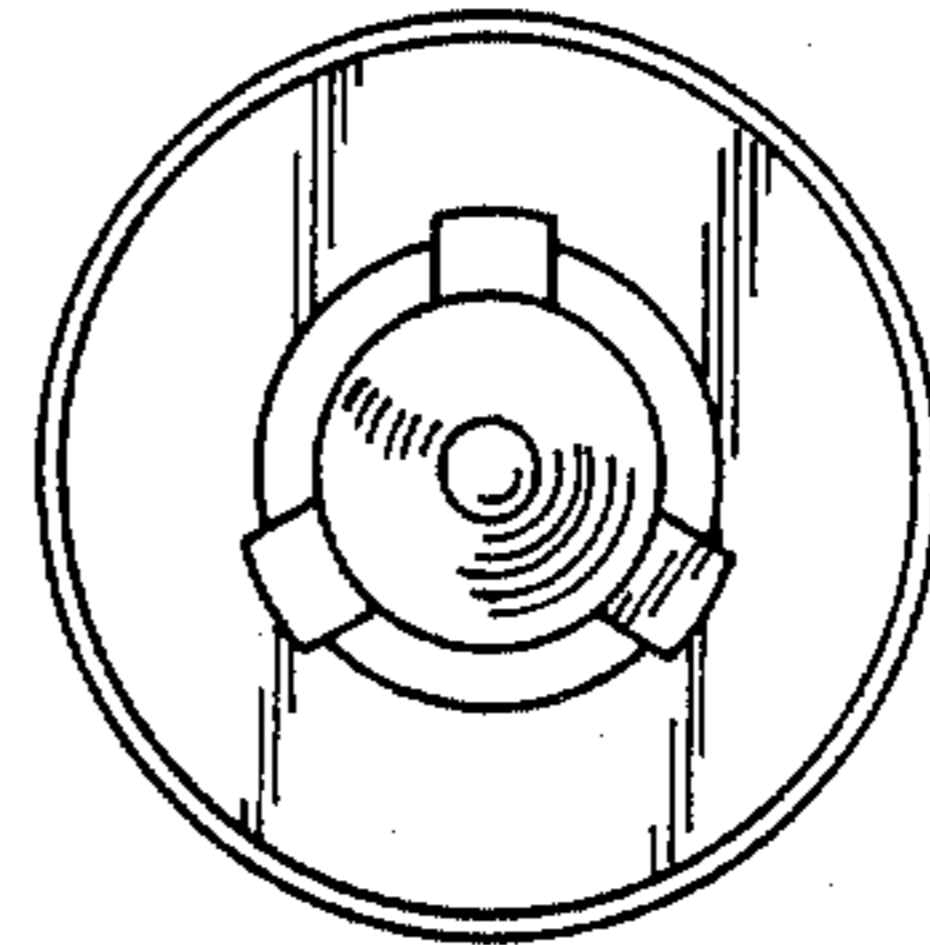


FIG. 3

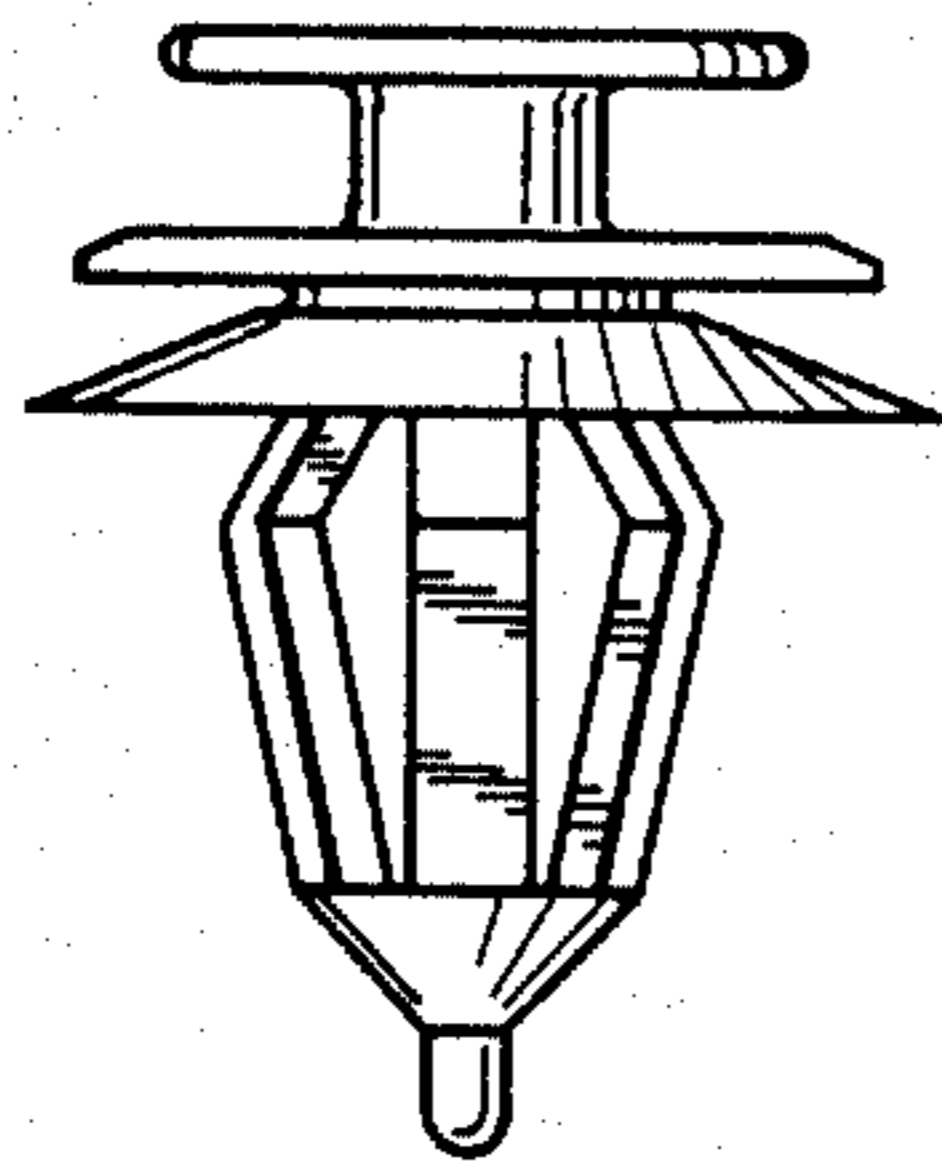


FIG. 4

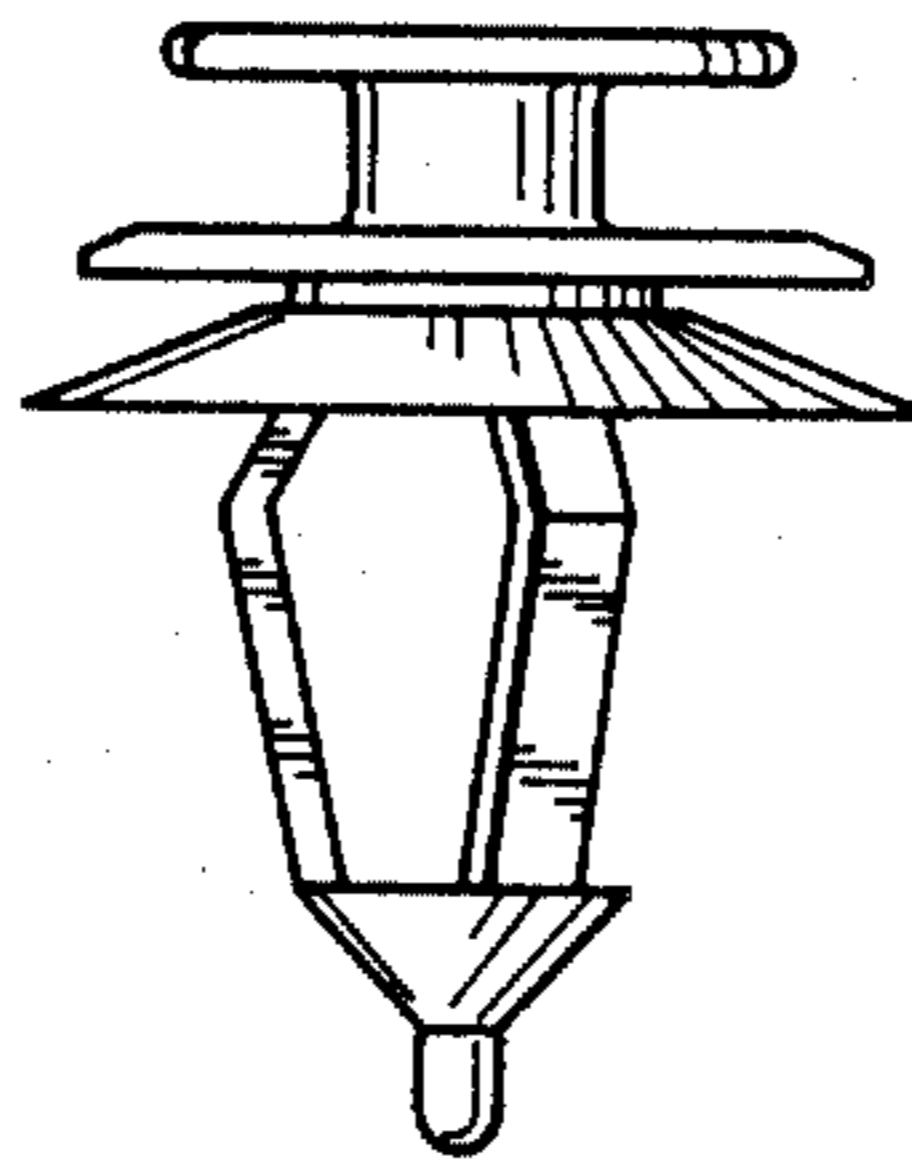


FIG. 5

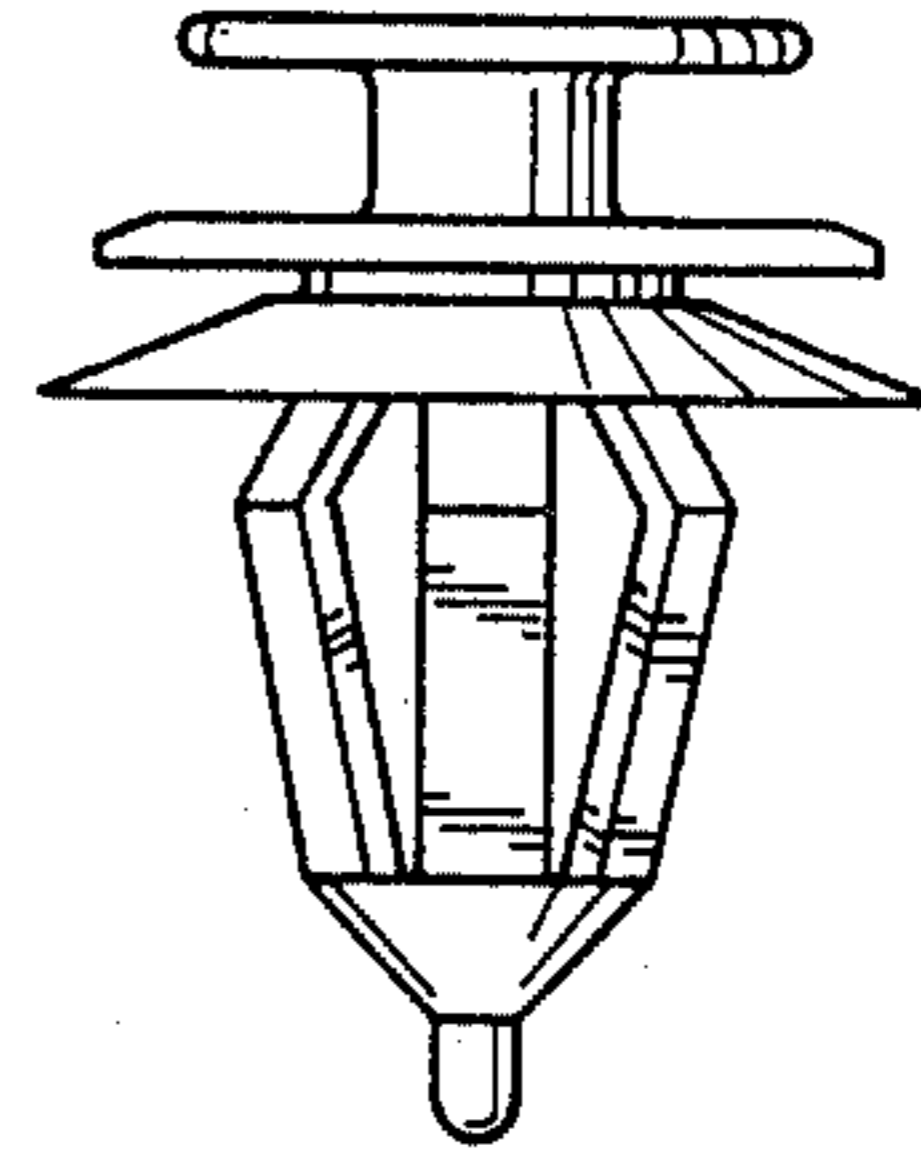


FIG. 6

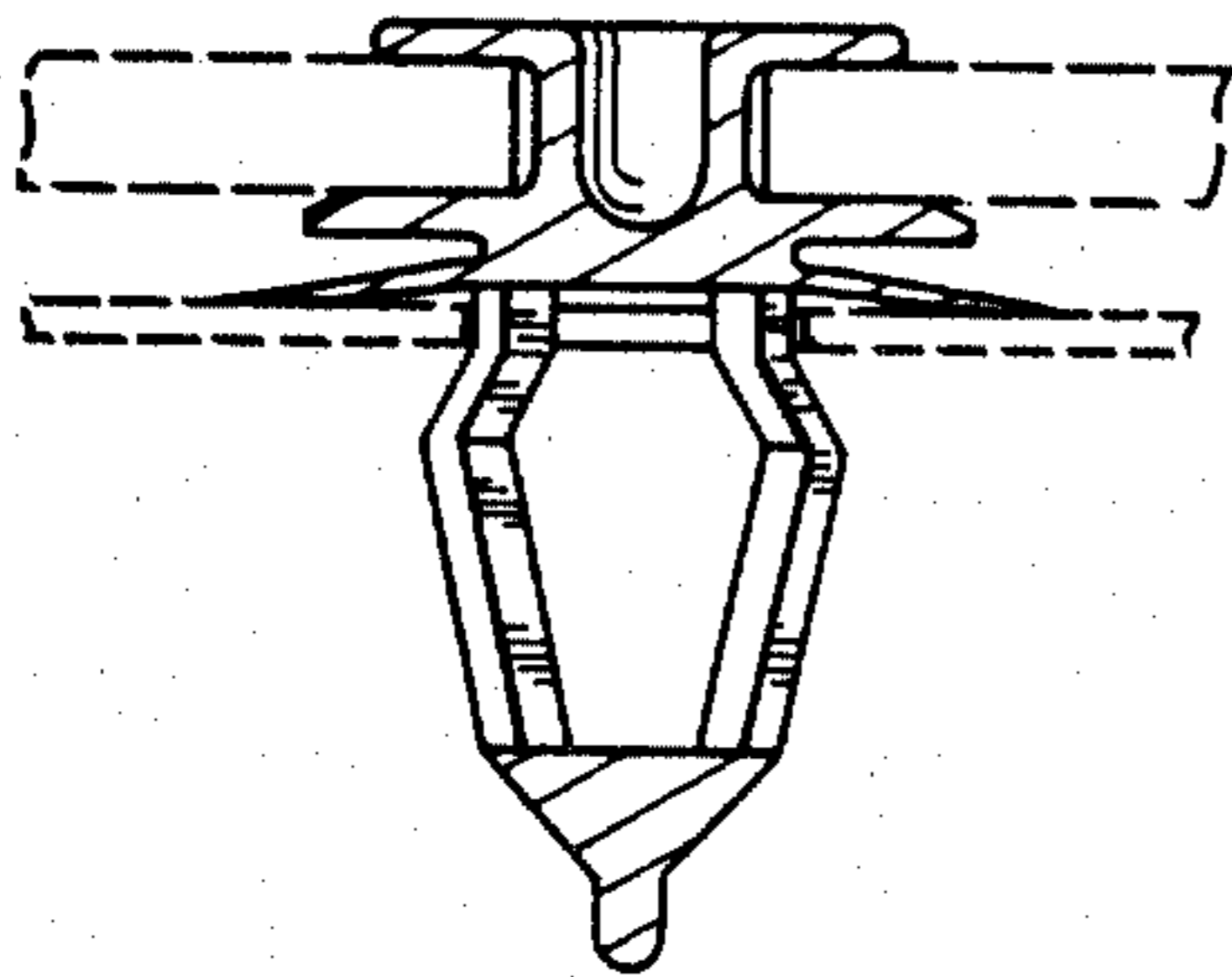


FIG. 7

