

[54] LOCK BODY FOR AN AUTOMOBILE ANTI-THEFT BAR

[76] Inventor: Mao H. Wang, No. 51-7, Jong Shan Rd., Ba Lii Shiang, Taipei Hsien, Taiwan

[**] Term: 14 Years

[21] Appl. No.: 882,367

[22] Filed: Jul. 7, 1986

[52] U.S. Cl. D8/331

[58] Field of Search D8/330-331, D8/339-344; 280/289 L; 70/207-211, 214-217, 225-227, 237-238, 252-253, 14

[56] References Cited

U.S. PATENT DOCUMENTS

- D. 228,874 10/1973 Thomson et al. D8/341
- D. 236,581 9/1975 Reisner D8/333
- D. 289,491 4/1987 Johnson D8/330

- 3,245,239 .4/1966 Zaidener 70/237 X
- 4,103,524 8/1978 Mitchell et al. 70/209

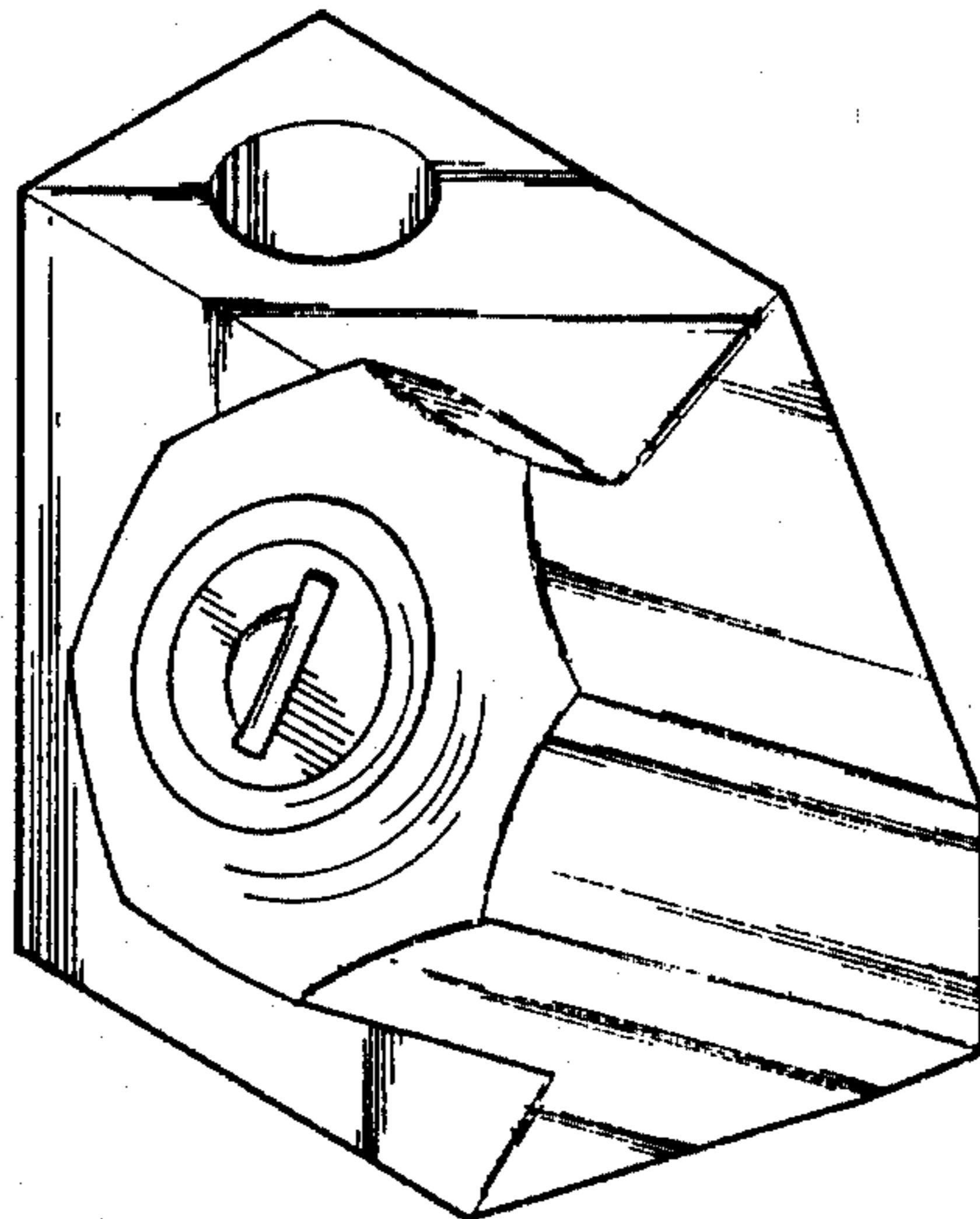
Primary Examiner—Wallace R. Burke
Assistant Examiner—Brian N. Vinson

[57] CLAIM

The ornamental design for a lock body for an automobile anti-theft bar, as shown and described.

DESCRIPTION

FIG. 1 is a perspective view of a lock body for an automobile anti-theft bar showing my new design;
 FIG. 2 is a front elevational view thereof;
 FIG. 3 is a rear elevational view thereof;
 FIG. 4 is a left side elevational view thereof;
 FIG. 5 is a right side elevational view thereof;
 FIG. 6 is a top plan view thereof; and
 FIG. 7 is a bottom plan view thereof.
 FIG. 8 is a view of the lock body of FIG. 1 showing the design in use in its intended environment.



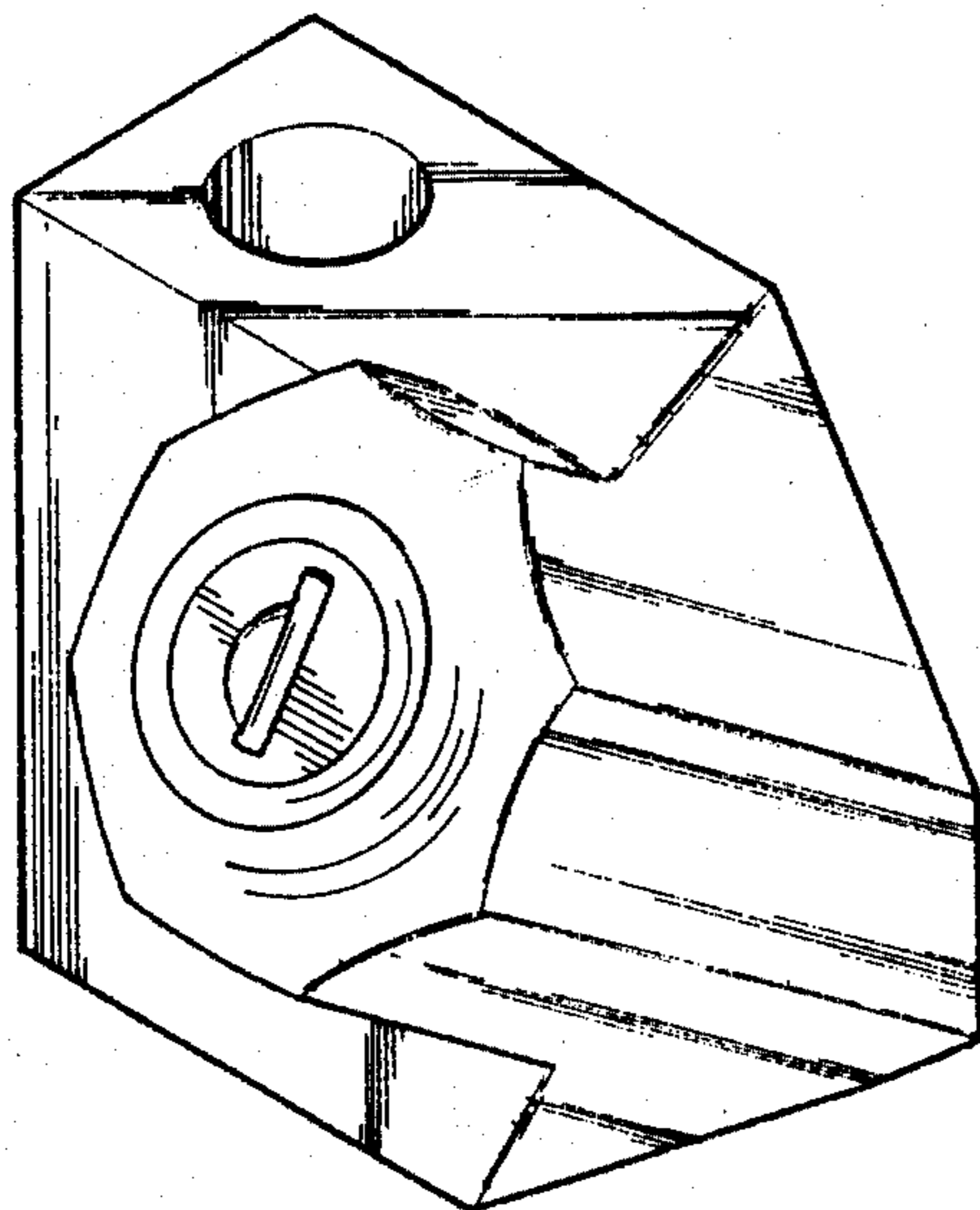


FIG. 1

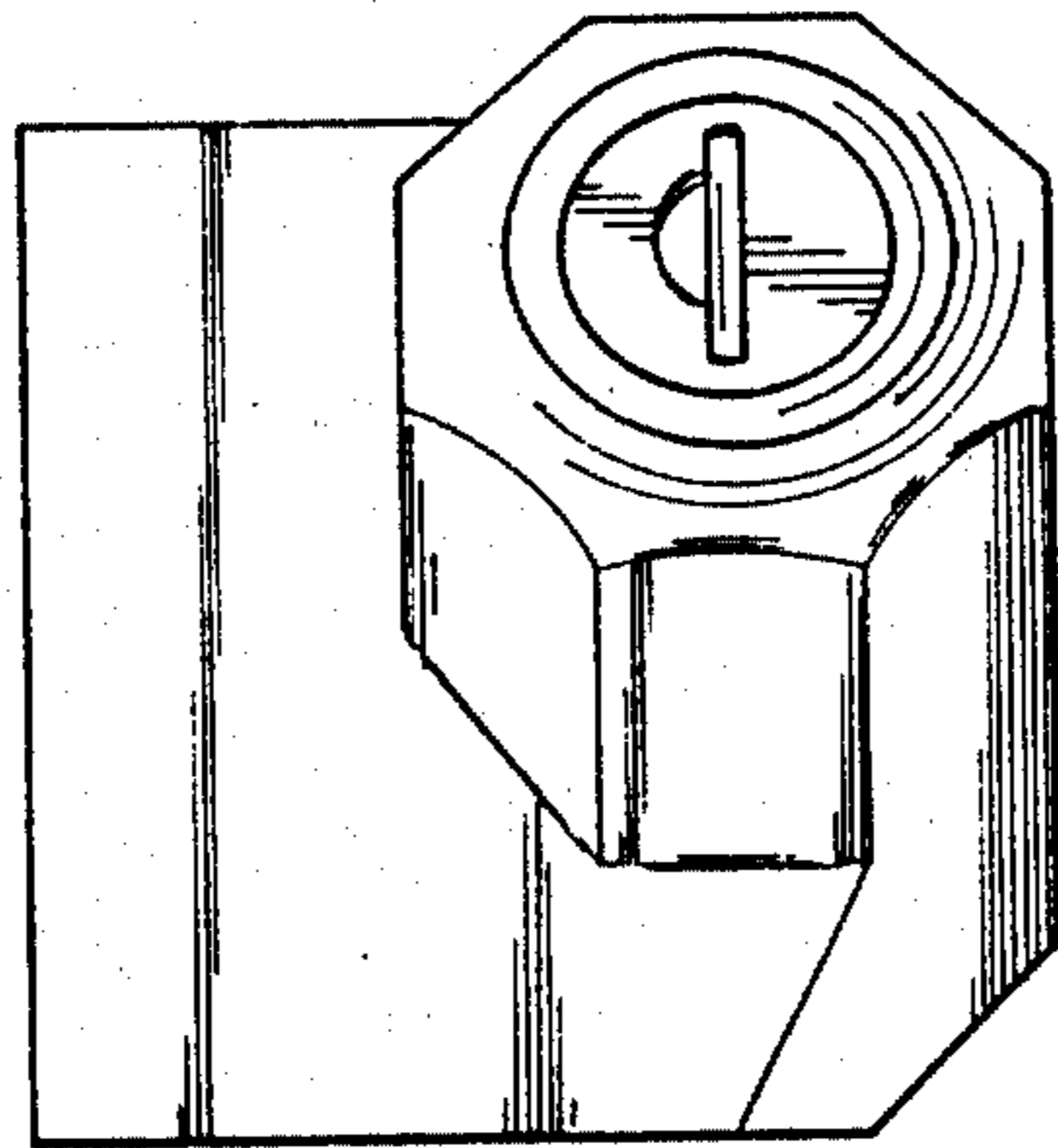


FIG. 2

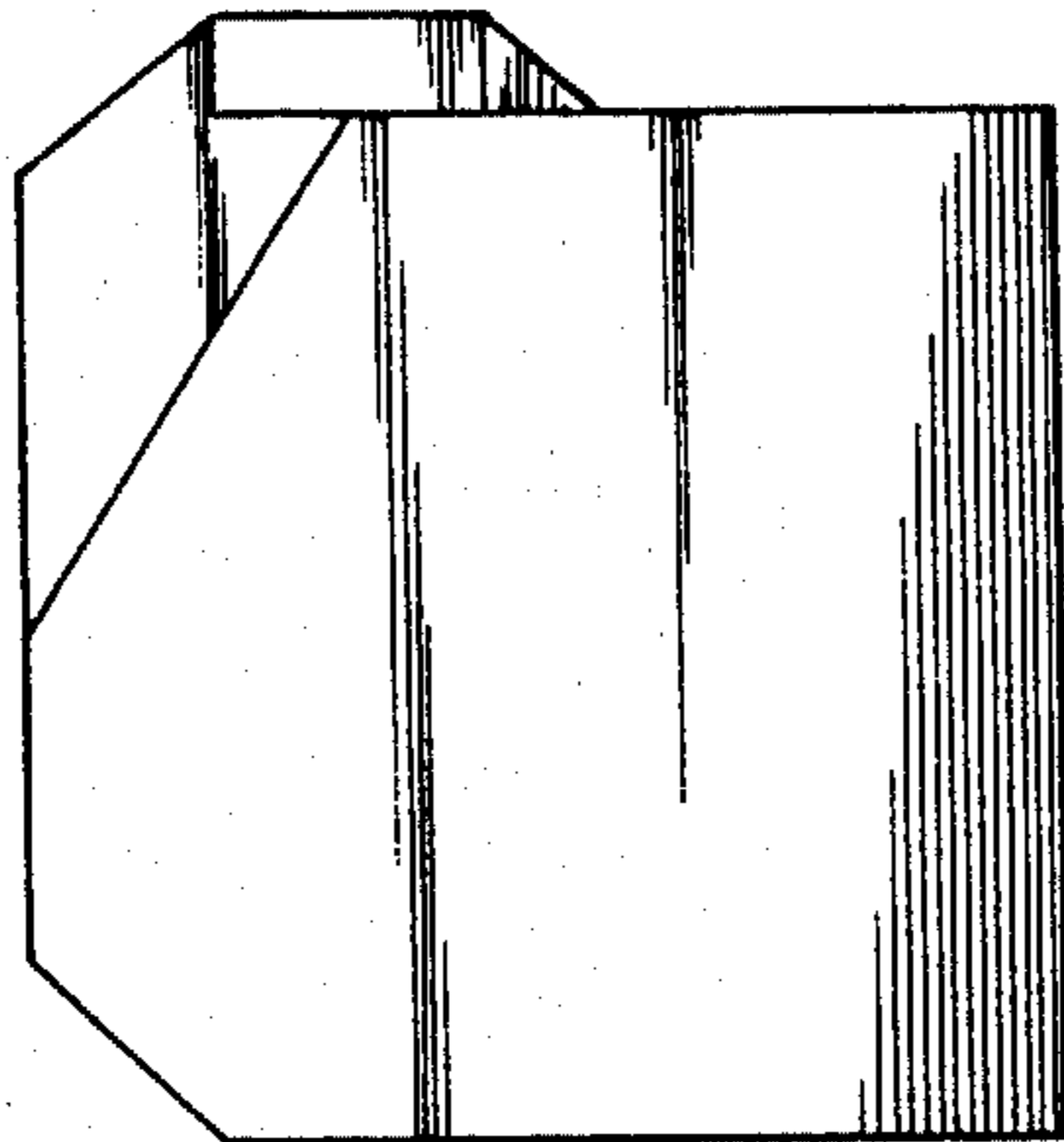


FIG. 3

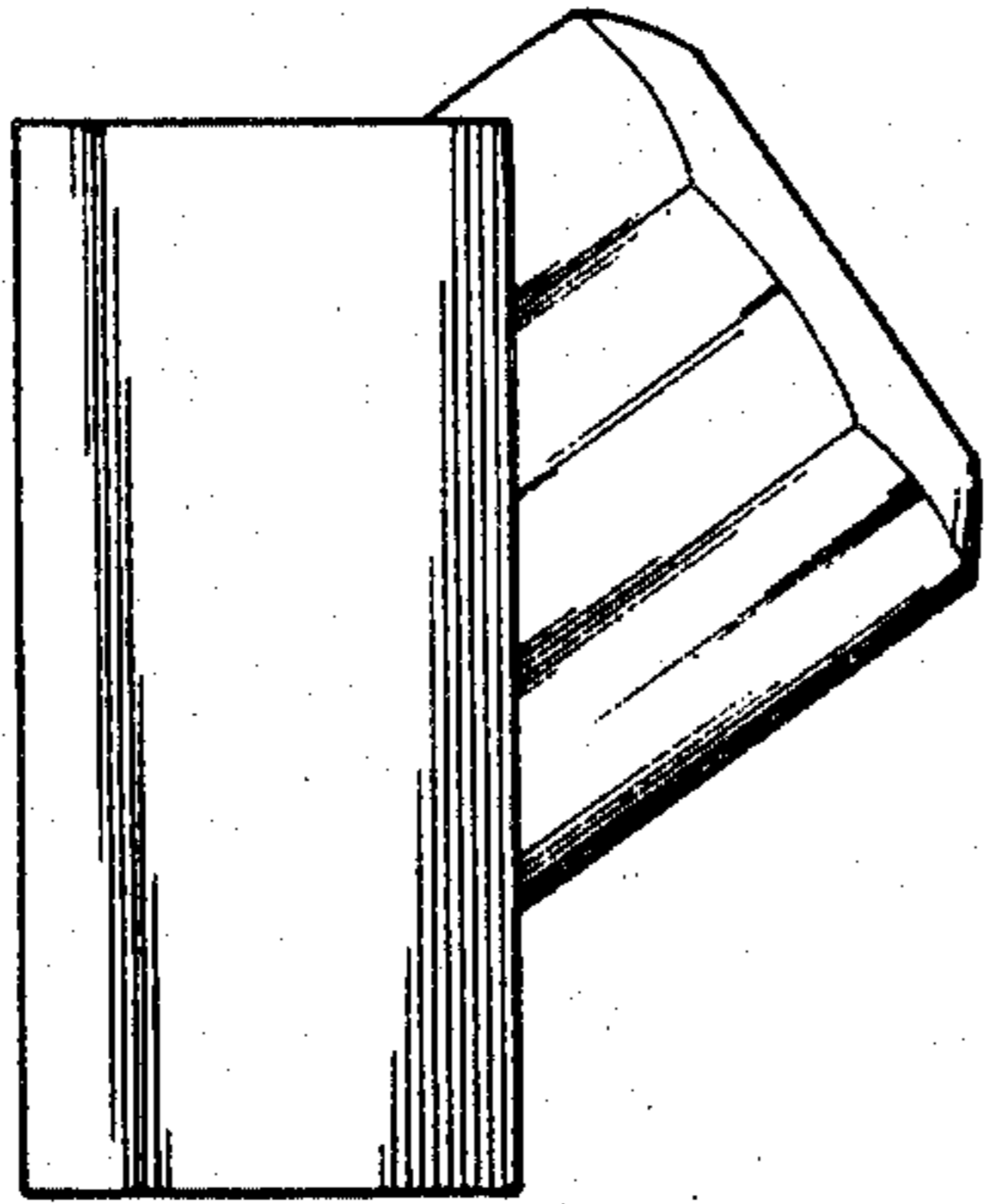


FIG. 4

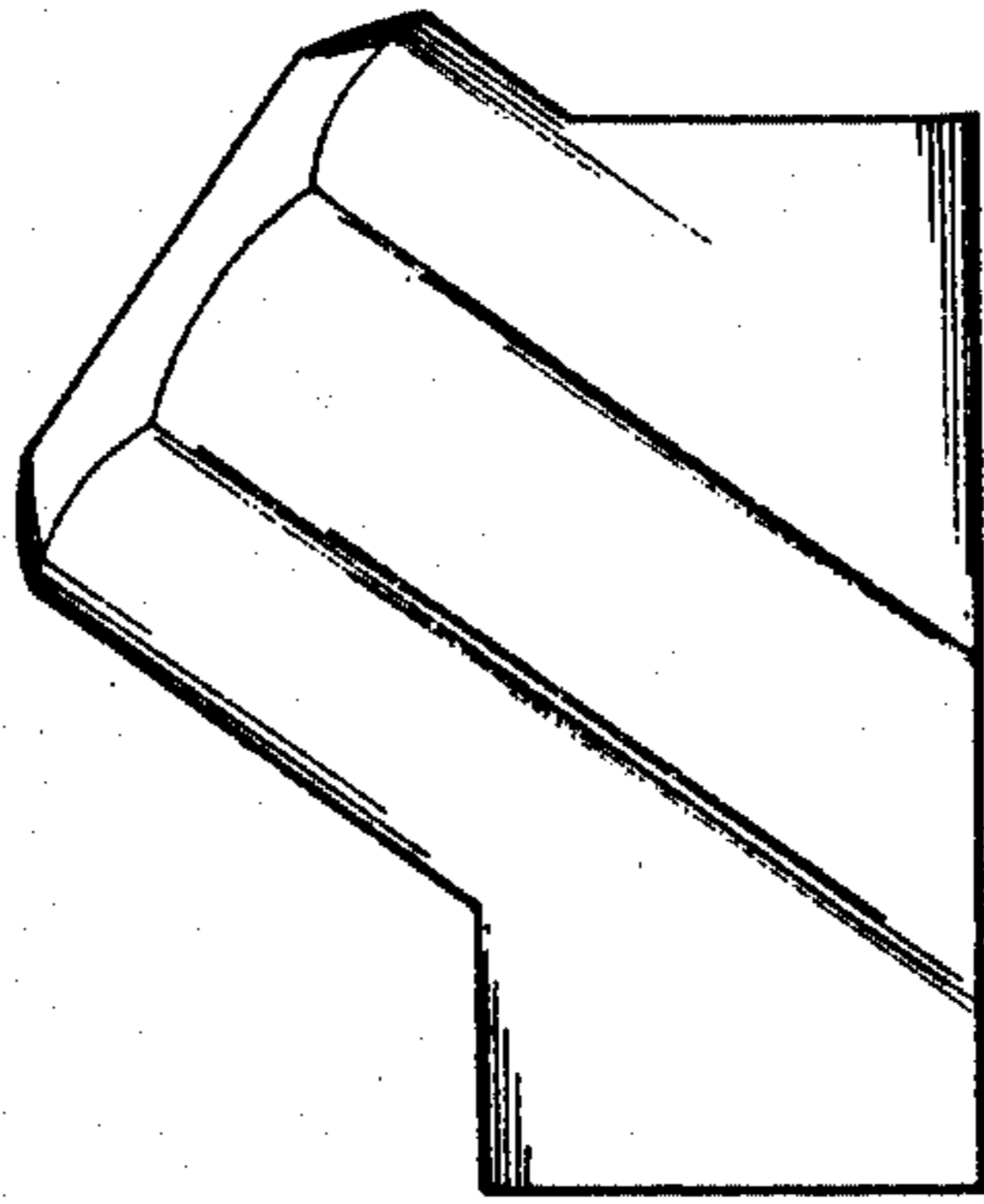


FIG. 5

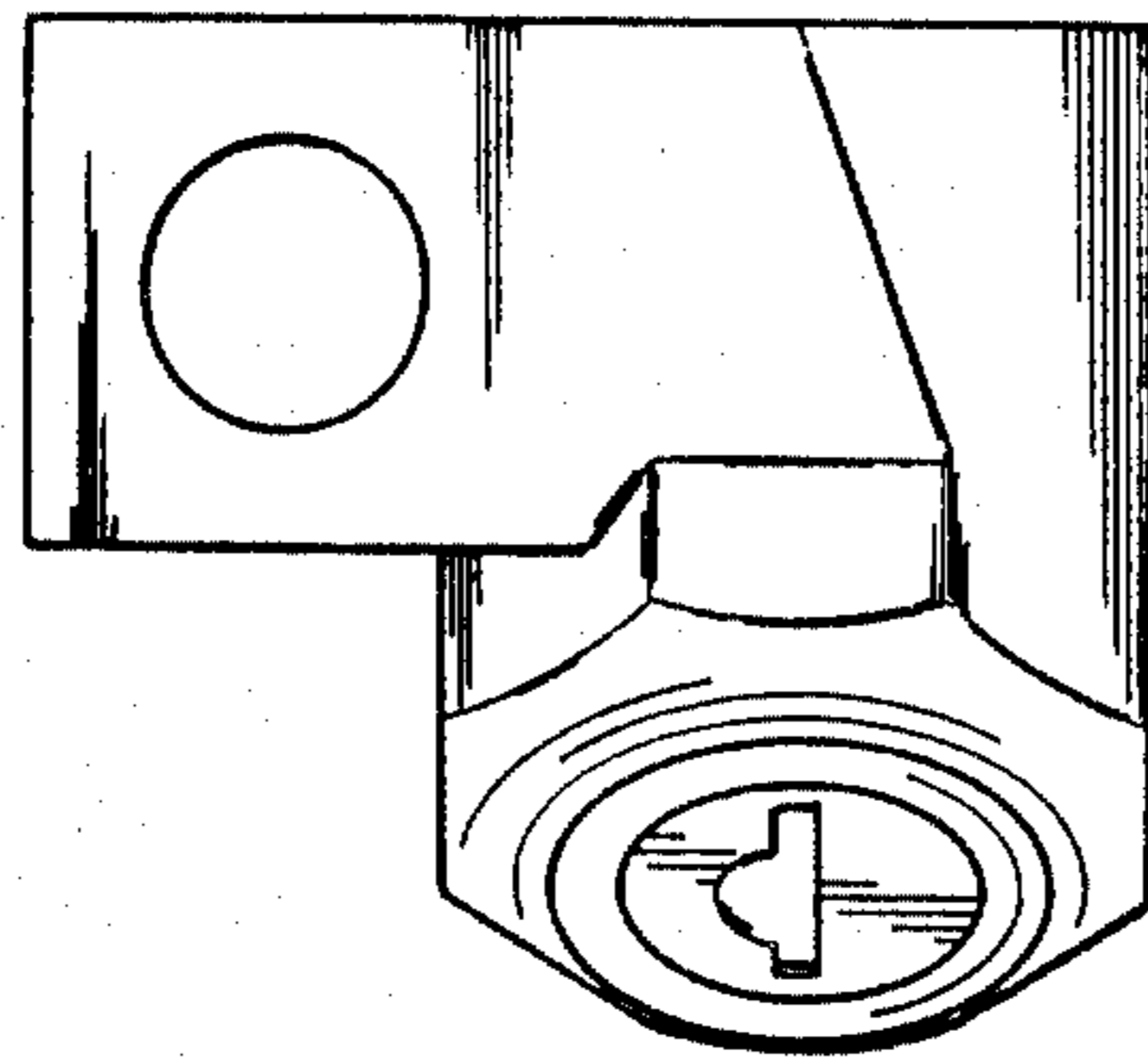


FIG. 6

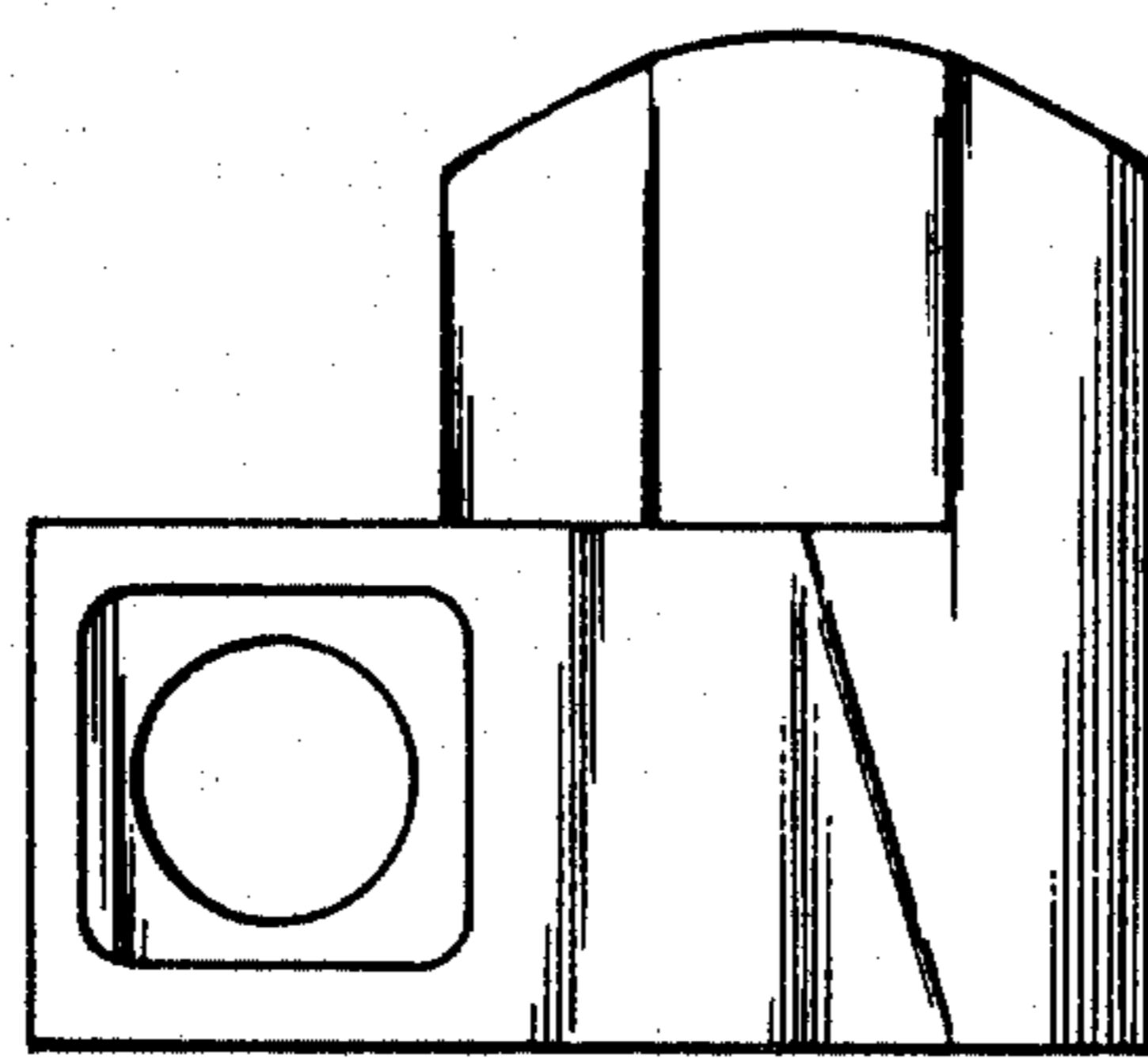


FIG. 7