

[54] **COMBINED HOLSTER AND BASE FOR A CORDLESS ELECTRIC DRILL**

[75] **Inventors: Lawrence E. House, II; Robert I. Somers, both of Raleigh, N.C.**

[73] **Assignee: Black & Decker**

[\*\*] **Term: 14 Years**

[21] **Appl. No.: 789,124**

[22] **Filed: Nov. 25, 1985**

**Related U.S. Application Data**

[62] Division of Ser. No. 646,138, Aug. 31, 1984, Pat. No. Des. 292,169.

[52] **U.S. Cl. .... D8/71**

[58] **Field of Search .... 224/192-200, 224/226, 232, 234, 240-242, 246, 252, 253, 262, 269, 902, 904; D8/61-70, 71; D3/30.1; D13/6; 173/163, 170; 81/54, 57.1; 408/124**

[56] **References Cited**

**U.S. PATENT DOCUMENTS**

D. 203,413	1/1966	Rawson et al. ....	D8/68
D. 225,300	12/1972	Boldt .....	D8/68
1,757,889	5/1930	Wheat .....	320/2 X
2,450,380	9/1948	Perham .....	173/170
2,966,138	12/1960	Quackenbush .....	173/163
3,173,417	3/1965	Horner .....	408/124 X
3,520,241	7/1970	Caldwell .....	224/246 X
3,684,941	8/1972	Van Acker et al. ....	320/2
3,924,097	12/1975	Knowles et al. ....	320/2 X
4,113,156	9/1978	Brito .....	224/904 X
4,214,688	7/1980	Griffin, Jr. ....	224/197
4,251,120	2/1981	Wolff .....	408/124 X
4,408,706	10/1983	Hurley .....	224/192
4,438,483	3/1984	Gulliksen et al. ....	362/183
4,485,946	12/1984	Liautaud et al. ....	224/197 X

**OTHER PUBLICATIONS**

Skil Consumer Products Catalog, CP-511, date approximately 1981, Cover and pp. 6 and 7 showing cordless, side handle drills, Cat. Nos. 2002, 2003, 2006 and 2007. Shopmate Power Tool Catalog No. 109-72C, date unknown, Cover (back and front, pp. 7 and 8 showing drills with piston grip side handles.

Appliance Manufacturer, Sep. 1963, p. 81 showing side handle drill manufactured by Thor Power Tool Company, Thor Brochure, date unknown, showing side handle drill.

Silvo Hardware Company, 1984, Cover and p. 8 showing Mighty Midget End Handle Drill.

Silvo Hardware Company Catalog, 1984, Cover and p. 20 showing Rockwell side handle drill in upper right hand corner of page.

Wen Dealer Catalog CA-1080, Cover, p. 4 showing side handle drills Model Nos. PR81 and PR70.

Skil Power Tool Catalog, date of publication unknown, cover and p. 22 showing cordless screwdriver.

Black & Decker Air Tools Catalog No. AT-1 (6/72) cover (back and front) and p. 14 showing air drills Cat. Nos. 1487, 1488 and 1490).

Black & Decker Power Tool Accessories Catalog, Form No. 369, 1984, Cover (back/front) and p. 32 showing Cat. Nos. 69600 Belt Clip, 69590 Holster and 98004 Holster.

(List continued on next page.)

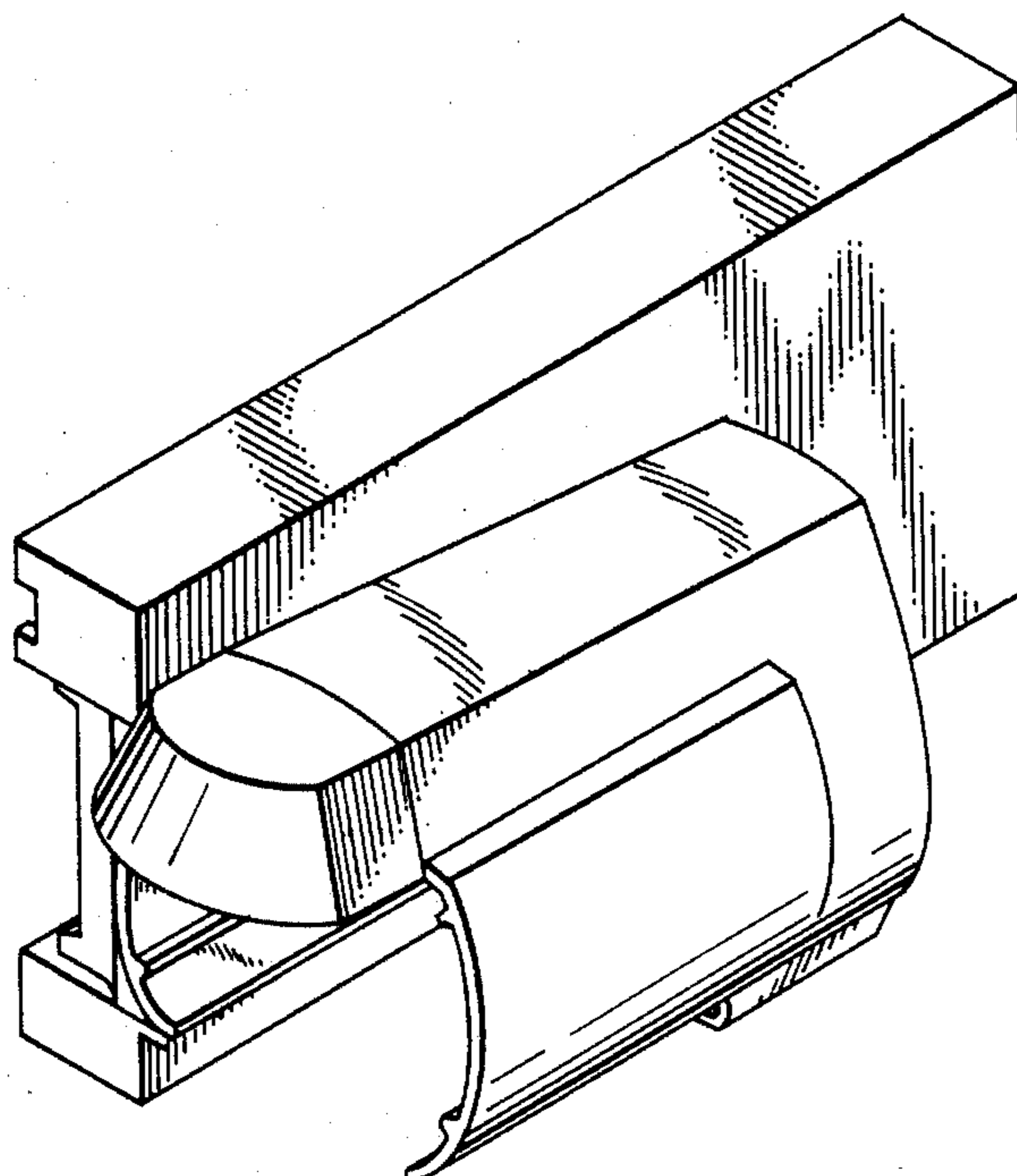
*Primary Examiner*—Catherine E. Kemper  
*Attorney, Agent, or Firm*—Finnegan, Henderson, Farabow, Garrett & Dunner

[57] **CLAIM**

The ornamental design for a combined holster and base for a cordless electric drill, as shown and described.

**DESCRIPTION**

FIG. 1 is a top plan view of a combined holster and base for a cordless electric drill, showing our new design; FIG. 2 is a bottom plan view thereof; FIG. 3 is a front end elevational view thereof; FIG. 4 is a rear end elevational view thereof; FIG. 5 is a left side elevational view thereof; FIG. 6 is a right side elevational view thereof; FIG. 7 is a perspective view thereof. FIGS. 8 and 9 are, respectively, perspective view of the holster and the base shown separately for illustration purposes.



OTHER PUBLICATIONS

Black & Decker Power Tools Catalog, Form No. 368, 1984, Cover (back/front) and p. 29 showing screwdrivers with belt chips, Catalog Nos. 2034-10 and 2032-10. Makita Power Tools Catalog, 1982-A, publication date unknown, cover & p. 36 showing drills with belt clips, Model Nos. 6500PB, DP 3720, 6510PB.

Black & Decker 1982-83 Consumer Catalog, Form 353-6-I-82, 1982, cover (back/front) pp. 95, 96, Model 9360 and 9330.

Black & Decker Household Products Catalog, 1984-85,

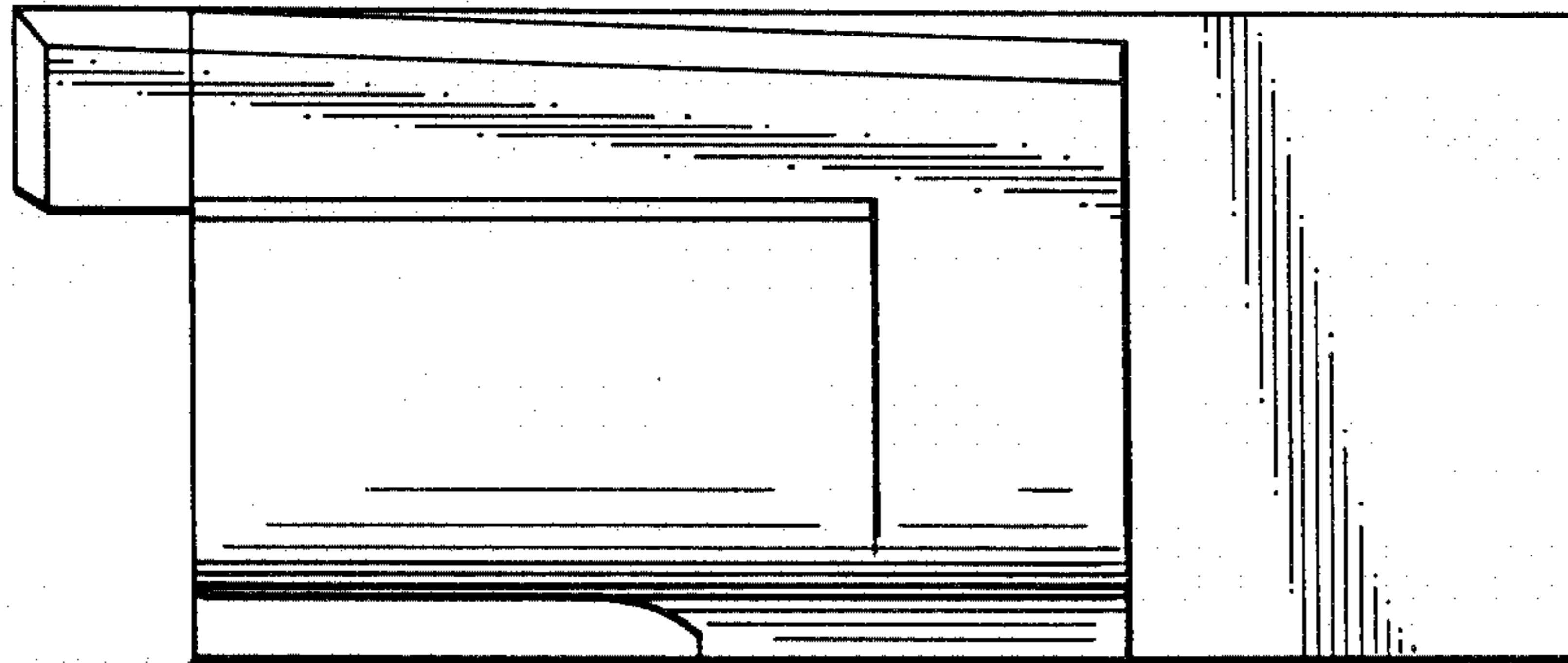
Form No. 370, 1984 Cover (back/front) and pp. 9, 11 Model 9365, 9366.

Black & Decker Catalog 302, Jul.-Dec., 1977, Cover (back and front) and p. 11 showing Two Speed 1/2" Hammer Drill (Catalog No. 7926).

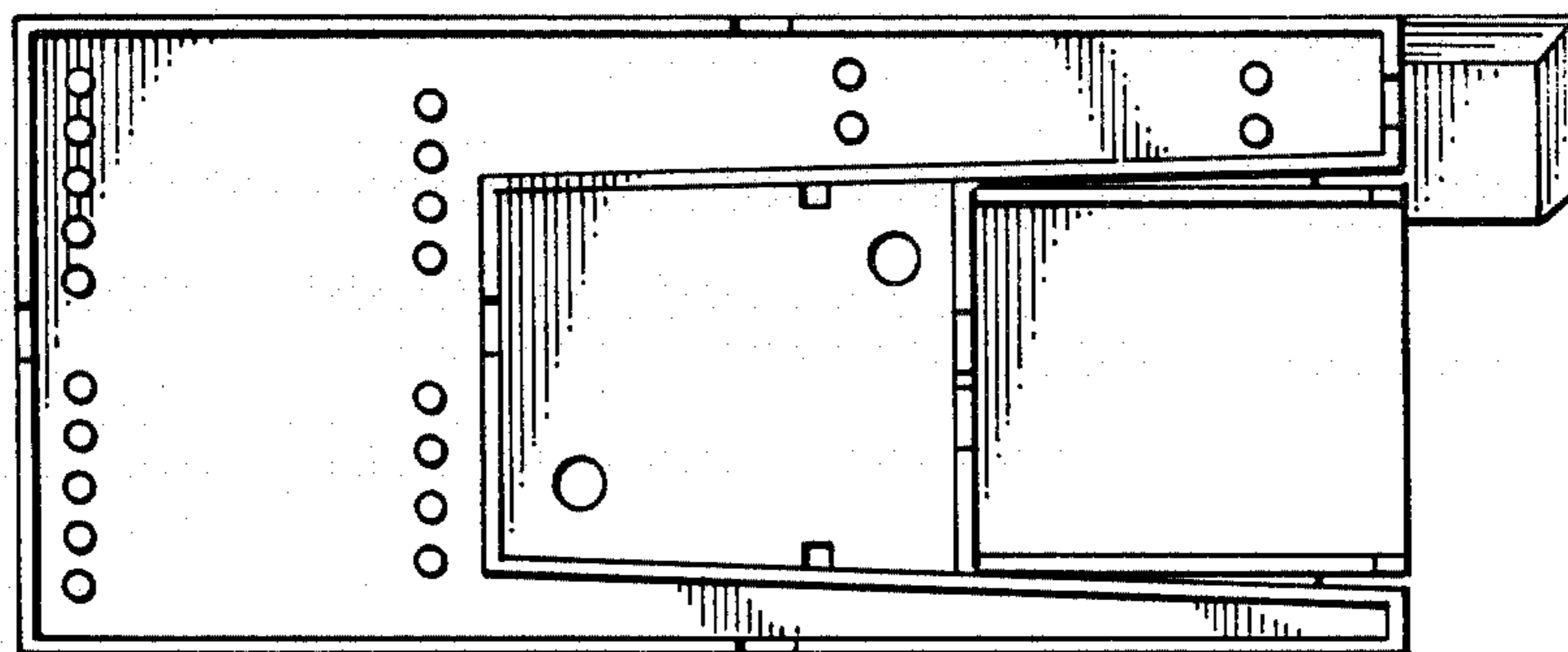
Sears Catalog of Power and Hand Tools, 1979-80, Cover (back and front) and pp. 60 and 61 showing drills with pistol grip side handles.

Shopcraft brochure entitled "Benchtop and Portable Power Tools", copyright 1981, Cover (back and front) and unnumbered page showing drills with pistol grip, side handles and identified as Serial Nos. T3250 20, T3150 20.

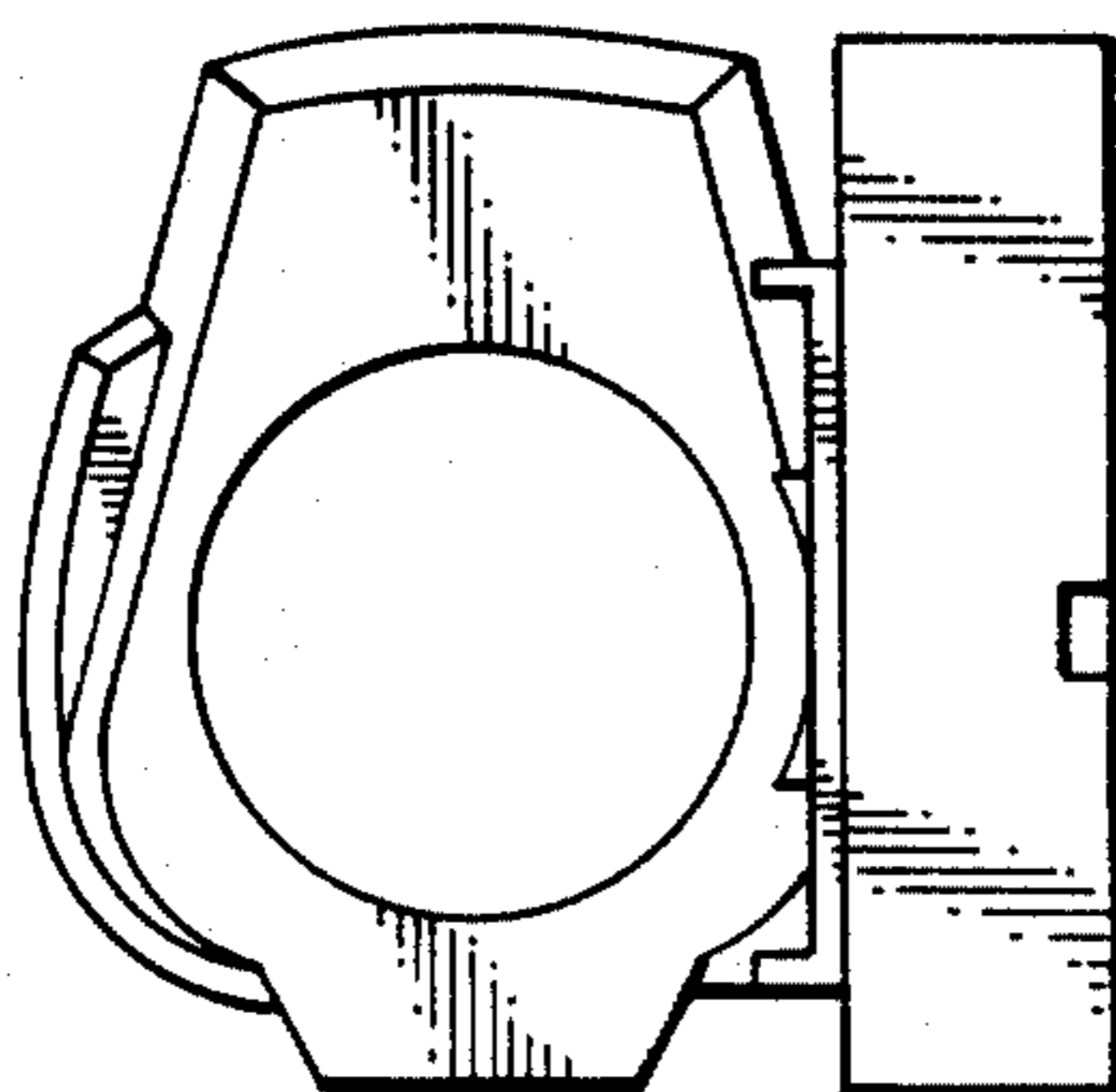
*FIG. 1.*



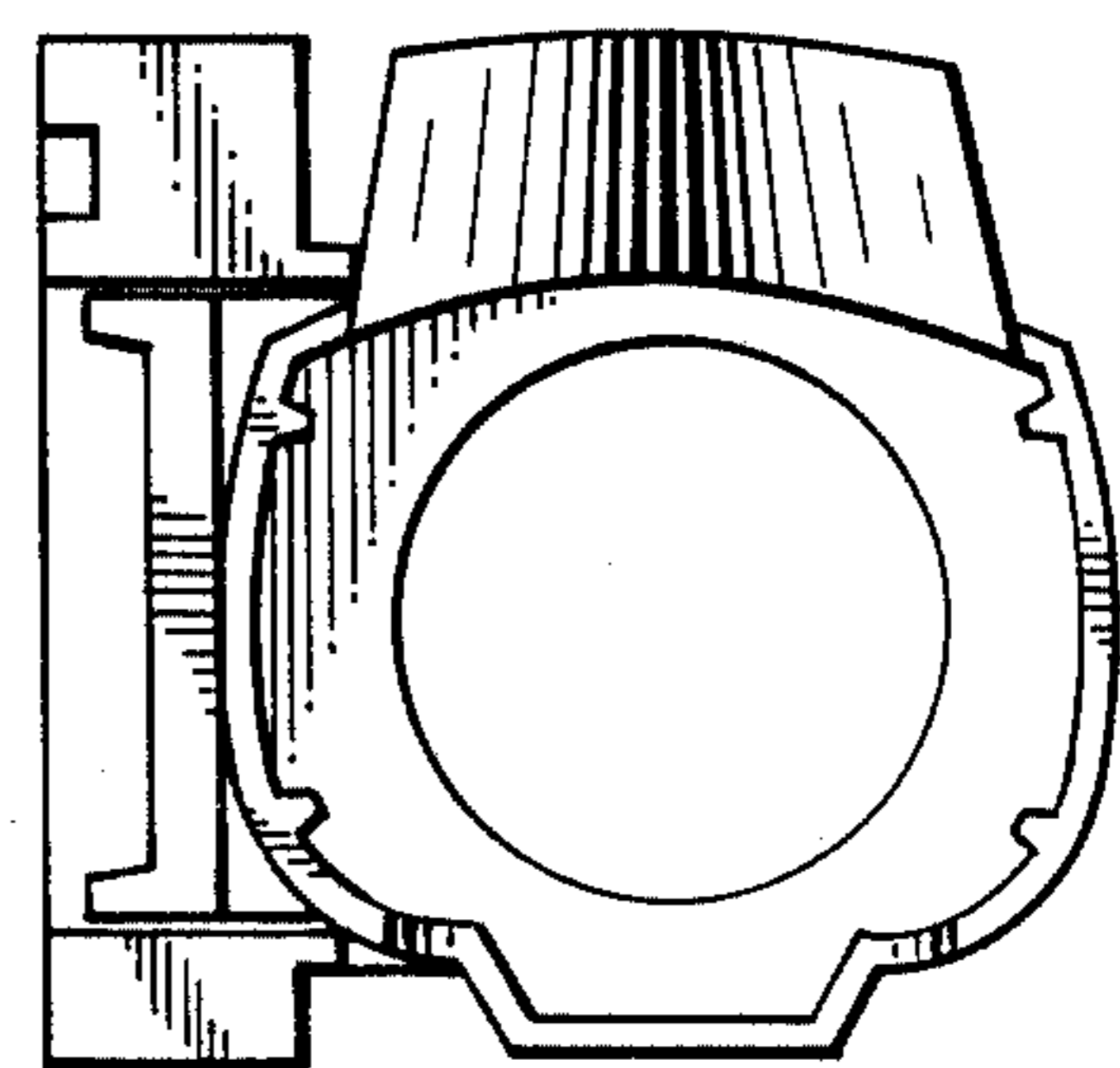
*FIG. 2.*



*FIG. 3.*

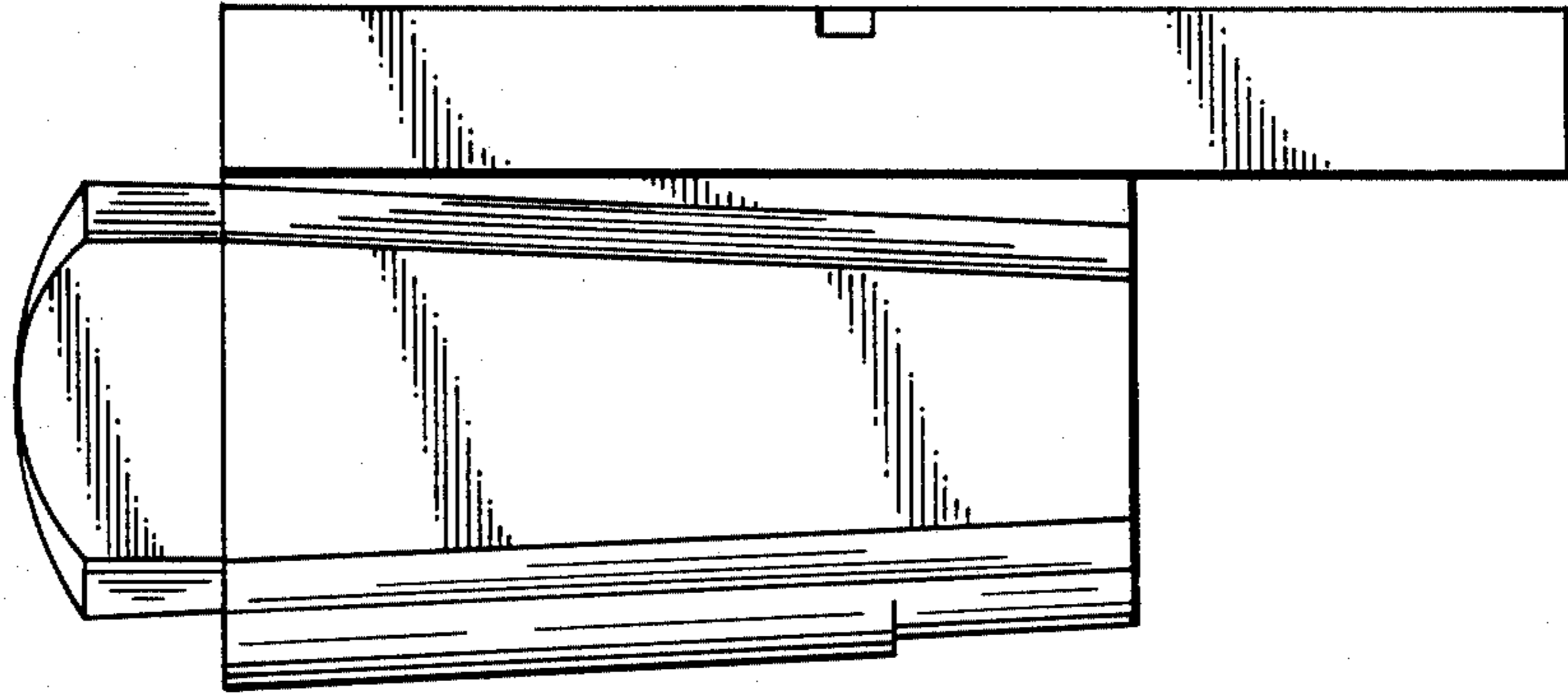


*FIG. 4.*

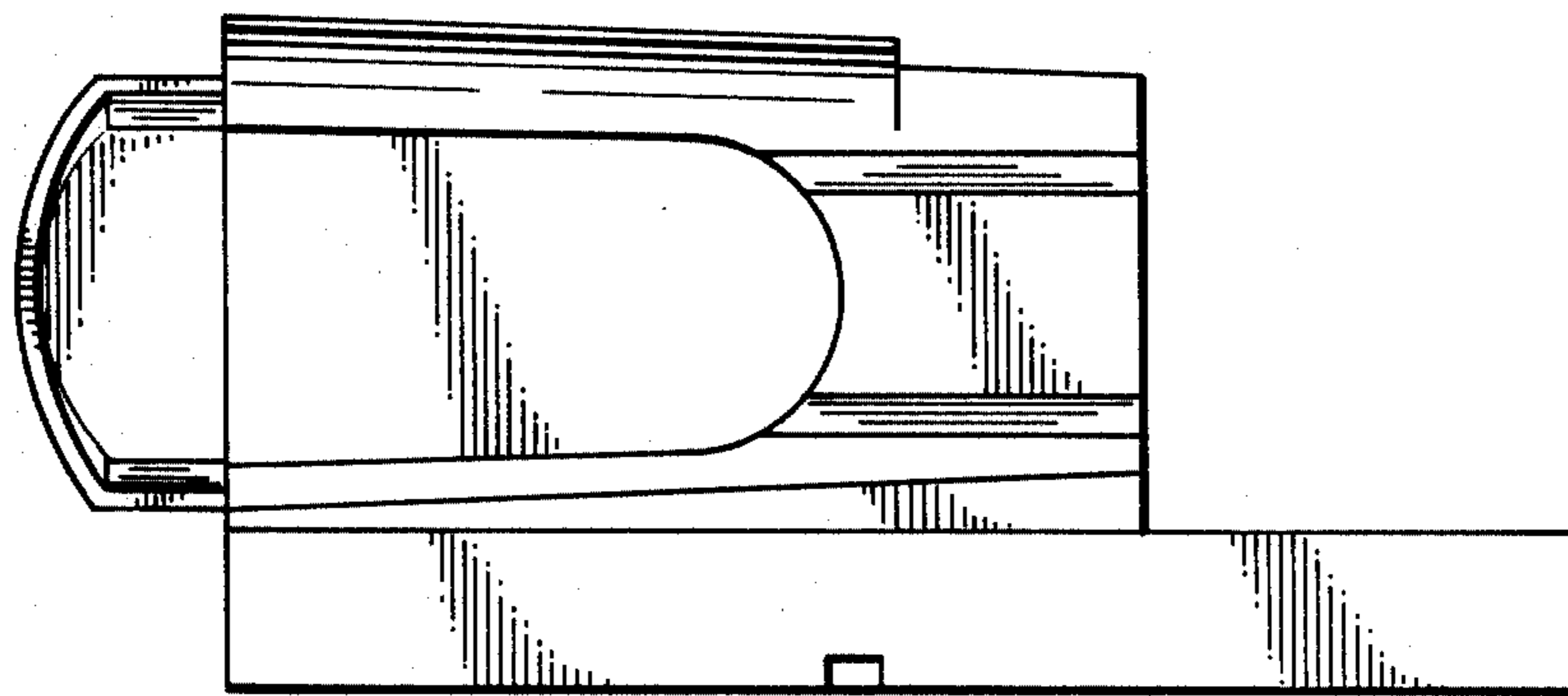




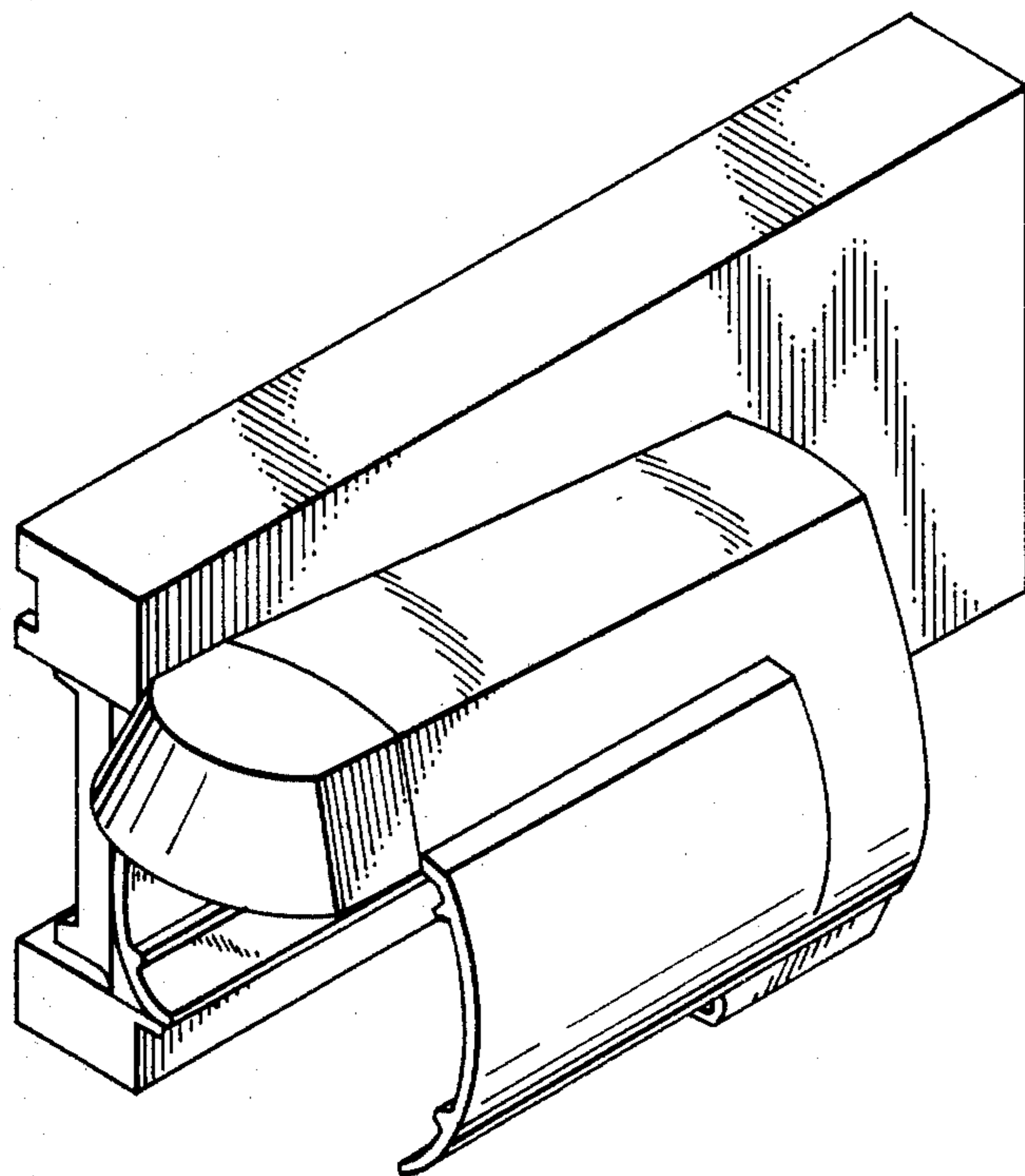
*FIG. 5.*



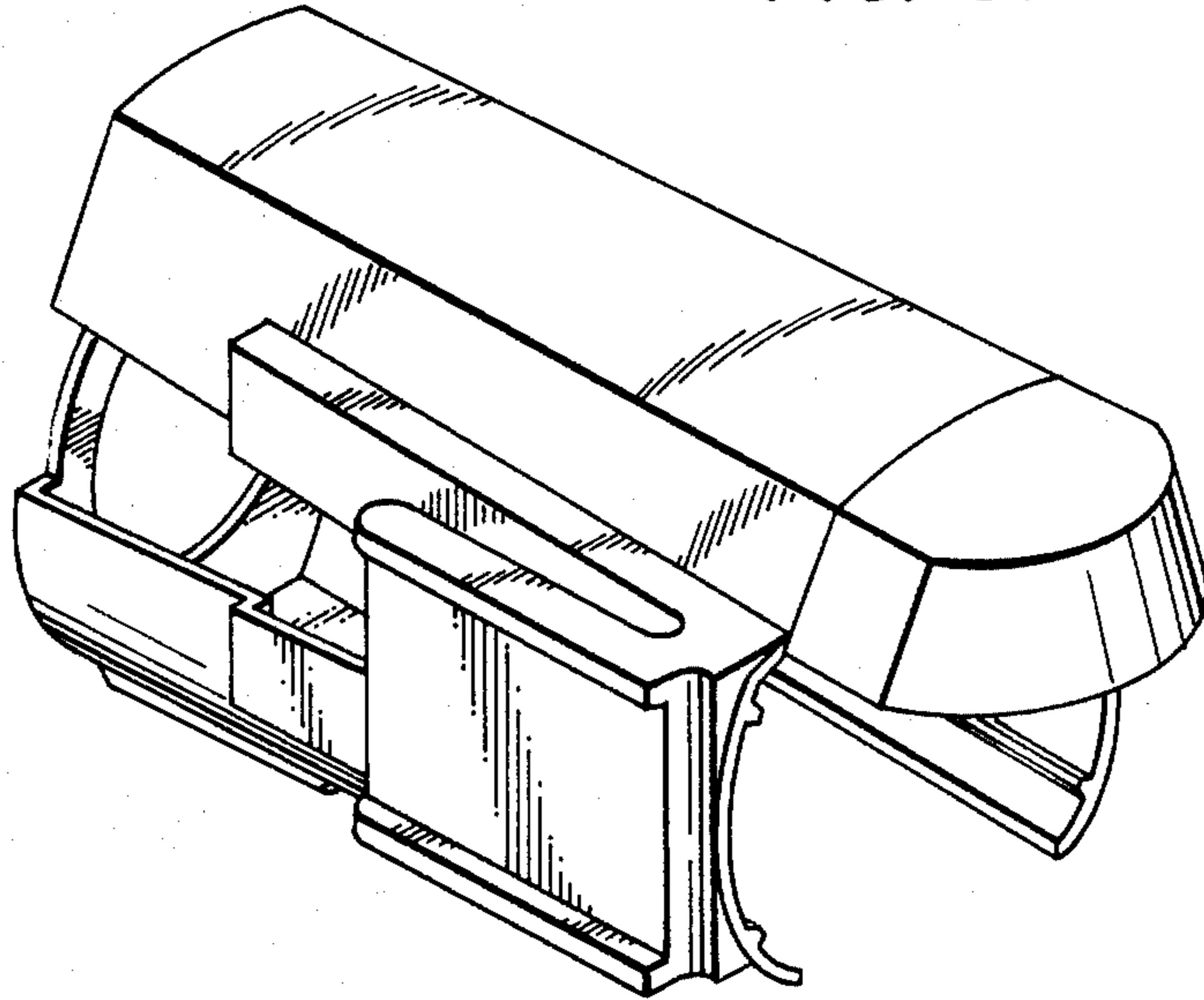
*FIG. 6.*



*FIG. 7.*



*FIG. 8.*



*FIG. 9.*

