

[54] **PAINTER'S SHIELD**

[76] **Inventor: Robert J. Miller, Suite 3 442
Balmoral Street, Winnipeg,
Manitoba, Canada, R3B 2P8**

[**] **Term: 14 Years**

[21] **Appl. No.: 727,448**

[22] **Filed: Apr. 26, 1985**

[52] **U.S. Cl. D8/14**

[58] **Field of Search D8/14; 118/504**

[56] **References Cited**

U.S. PATENT DOCUMENTS

D. 202,654	10/1965	Carls	D8/14
D. 255,418	6/1980	Sheluga	D8/14
D. 262,597	1/1982	Rangel	D8/14
2,698,003	12/1954	Bullock	118/504
2,889,804	6/1959	Dim et al.	D8/14
3,565,038	2/1971	Van Barriger	118/504
4,357,898	11/1982	Fehrenbacher	118/504

FOREIGN PATENT DOCUMENTS

1058568	7/1979	Canada	118/504
1110585	10/1981	Canada	118/504

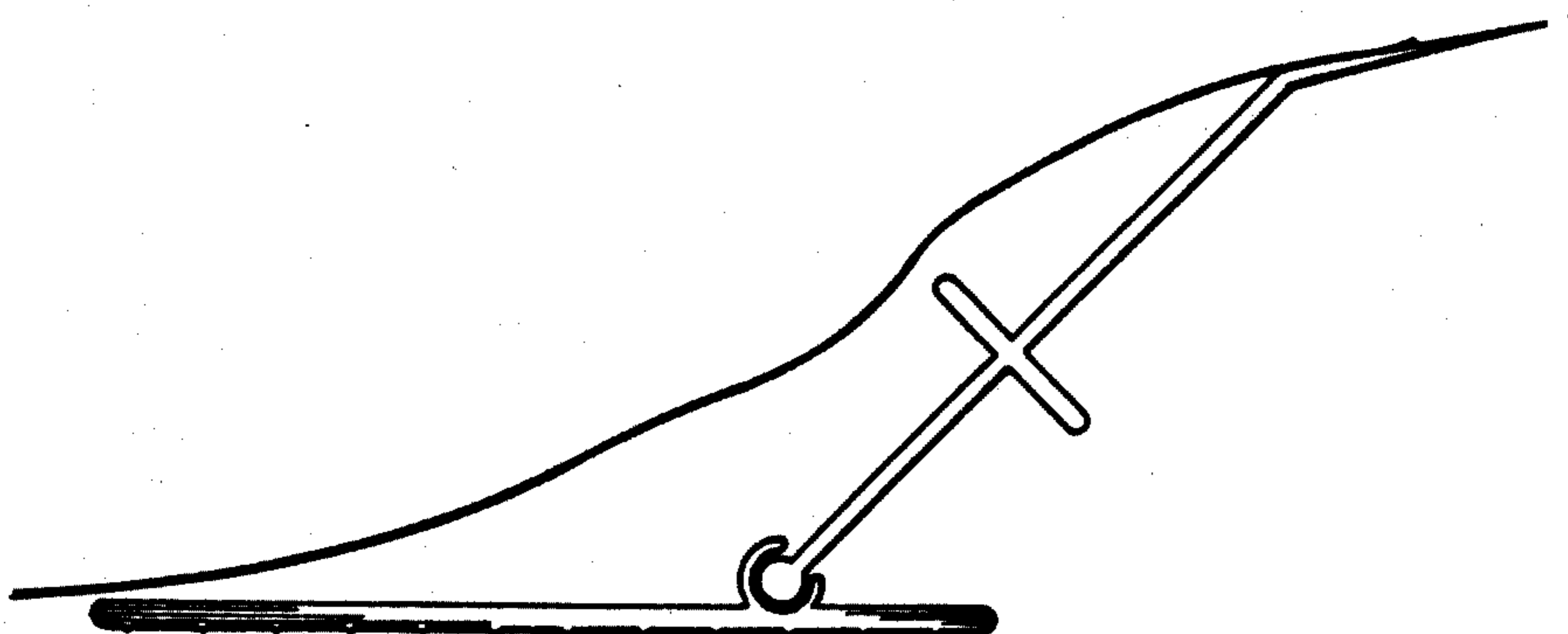
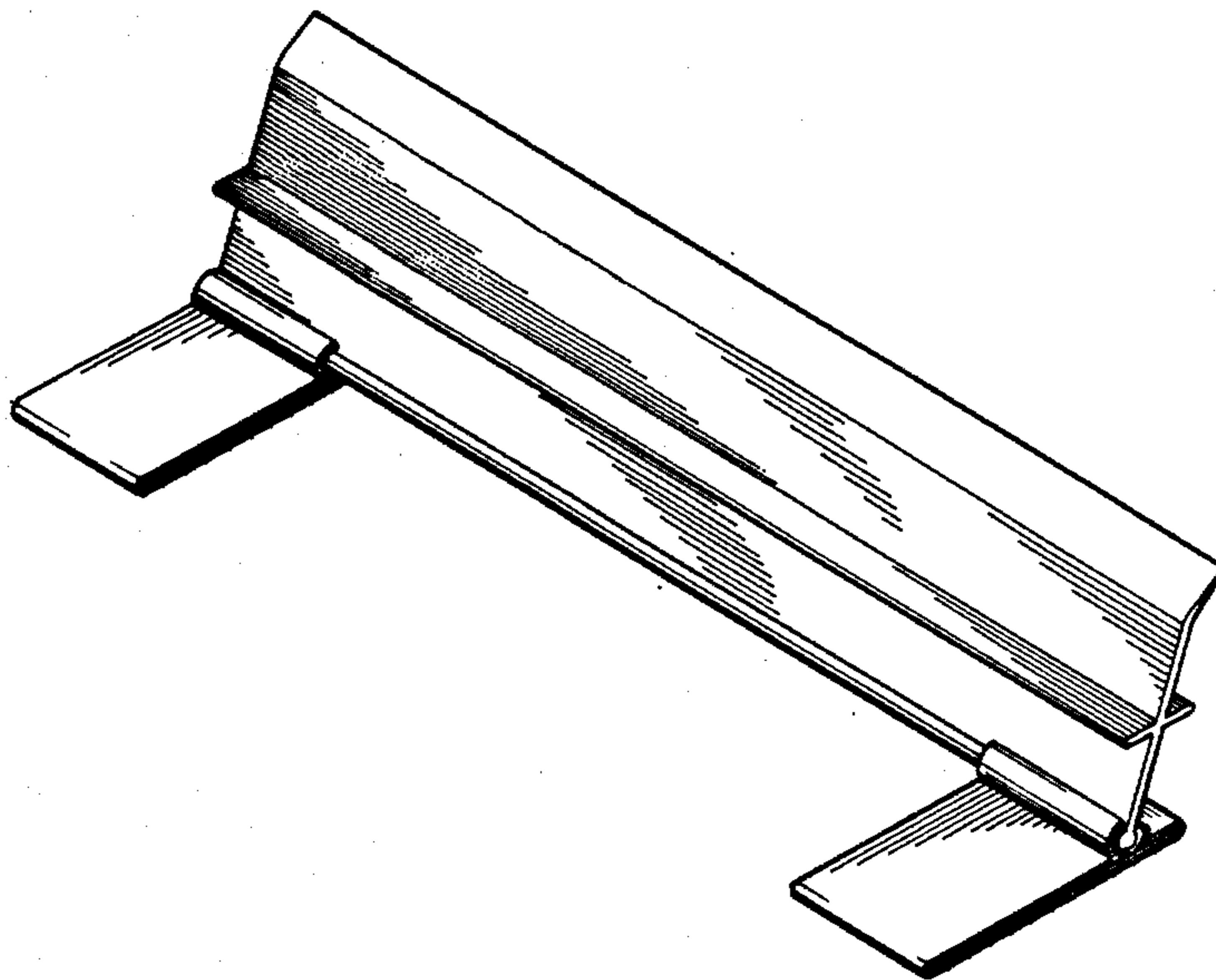
Primary Examiner—B. J. Bullock
Attorney, Agent, or Firm—Stanley G. Ade; Adrian D. Battison; Murray E. Thrift

[57] **CLAIM**

The ornamental design for a painter's shield, as shown and described.

DESCRIPTION

FIG. 1 is a perspective view of a painter's shield showing my new design;
FIG. 2 is an enlarged bottom plan view thereof, shown broken away for ease of illustration;
FIG. 3 is a top plan view of FIG. 2;
FIG. 4 is a right side elevational view of FIG. 3, the plastic sheet being shown in broken lines for illustrative purposes only.



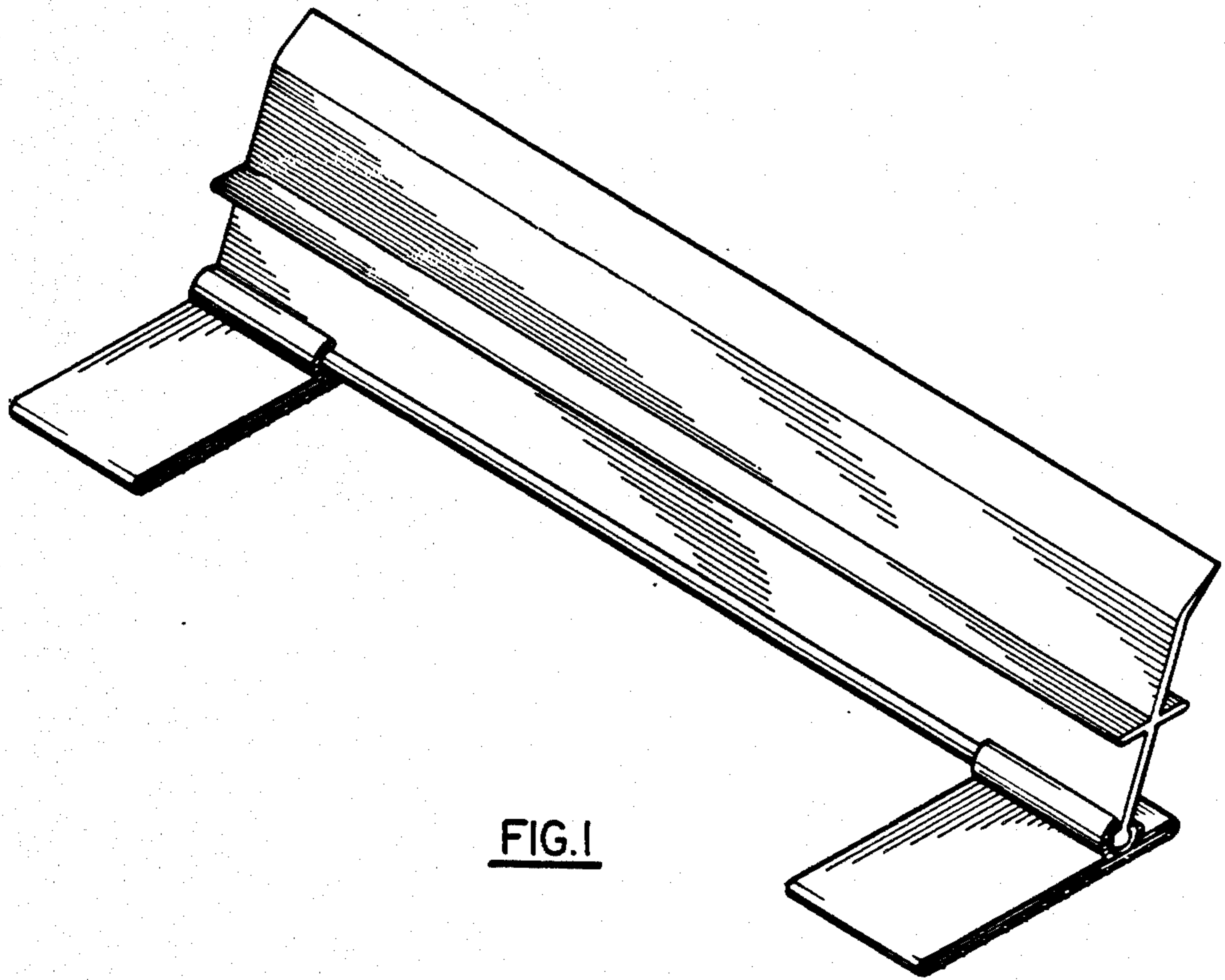


FIG. 1

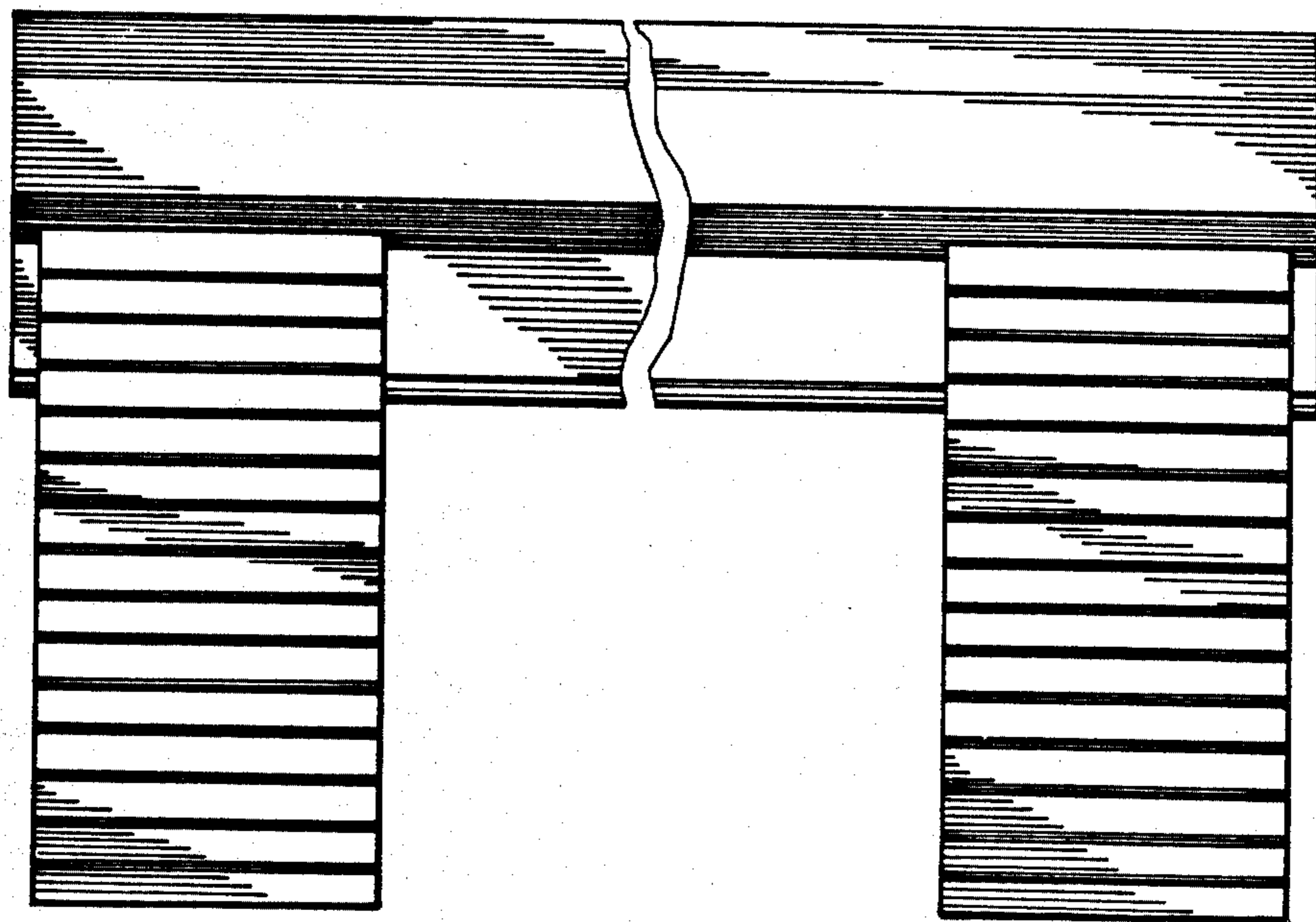


FIG. 2

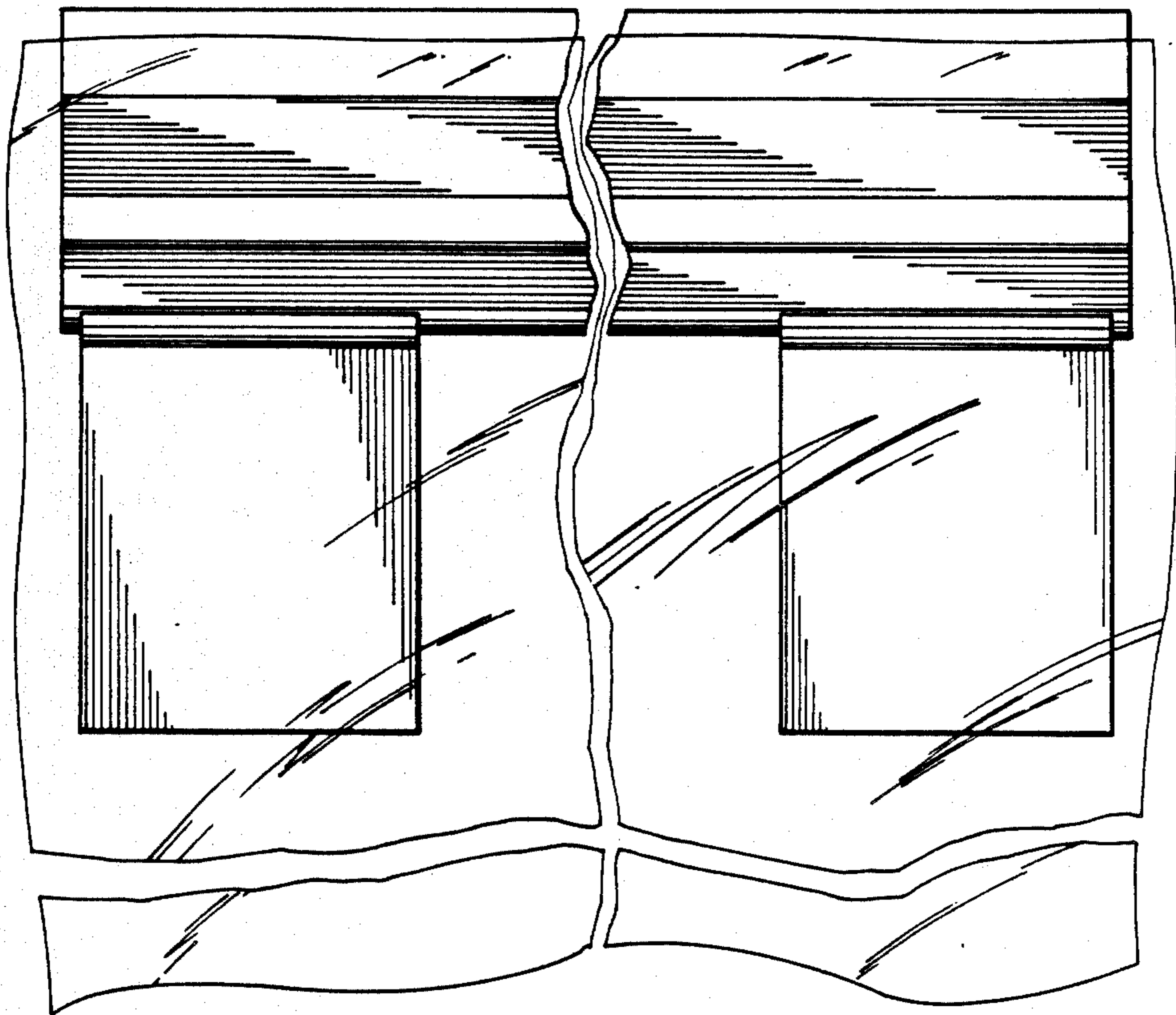


FIG. 3

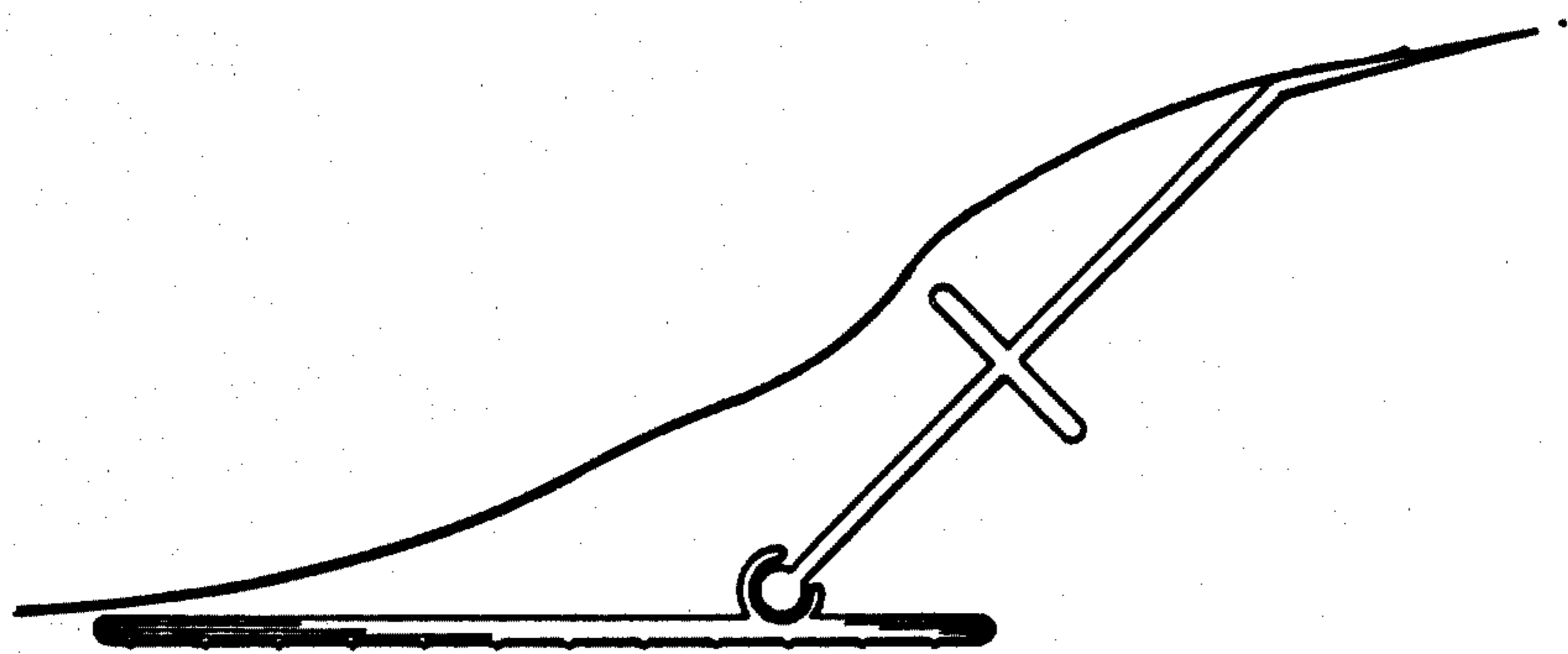


FIG. 4