

[54] **LUNCHBOX**

- [75] **Inventor:** Martin Schnur, Chester, N.Y.  
[73] **Assignee:** Metrokane Imports, Inc., New York, N.Y.  
[\*\*] **Term:** 14 Years  
[21] **Appl. No.:** 927,669  
[22] **Filed:** Oct. 28, 1986  
[52] **U.S. Cl. ....** D7/76  
[58] **Field of Search ....** D7/76, 77; 206/541, 206/545, 549; D9/378, 432; D3/36.1

- [56] **References Cited**  
**U.S. PATENT DOCUMENTS**  
2,457,043 12/1948 Hestand ..... D7/76 X  
3,347,354 10/1967 West ..... D7/76 X

**OTHER PUBLICATIONS**

Exhibit A-B, Conventional Construction Worker's Lunchbox, date unknown.  
Exhibit C, "Cold Box with Removable Lid", date unknown.

*Primary Examiner*—Bernard Ansher  
*Assistant Examiner*—Terry Pfeffer  
*Attorney, Agent, or Firm*—Amster, Rothstein & Ebenstein

[57] **CLAIM**

The ornamental design for a lunchbox, as shown and described.

**DESCRIPTION**

FIG. 1 is a top, front, left side isometric view of a lunchbox showing my new design;  
FIG. 2 is an isometric view thereof in an open position;  
FIG. 3 is a rear elevational view thereof; and  
FIG. 4 is a bottom plan view thereof.  
The other end is substantially identical to the end illustrated.

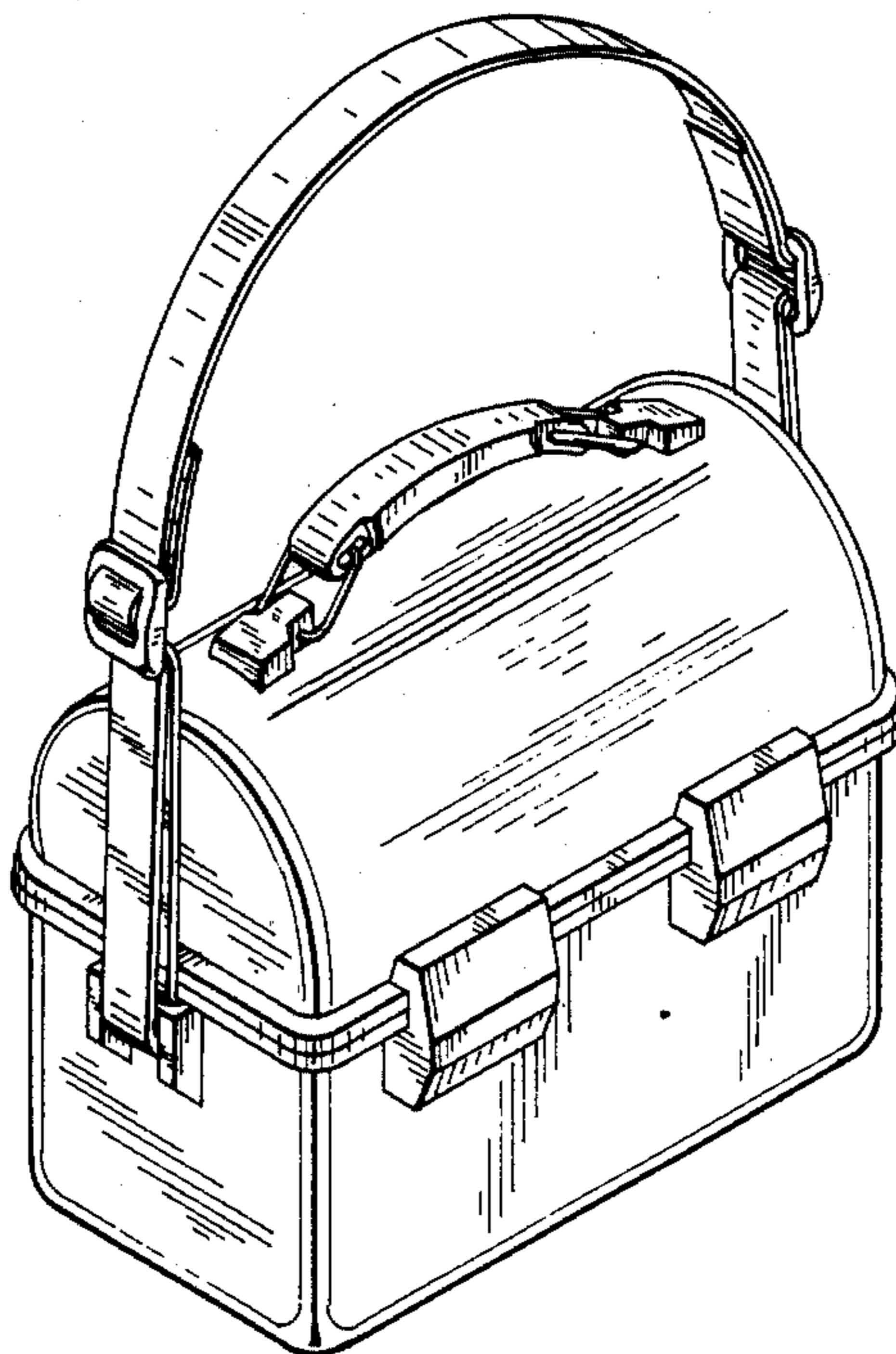




FIG. 1

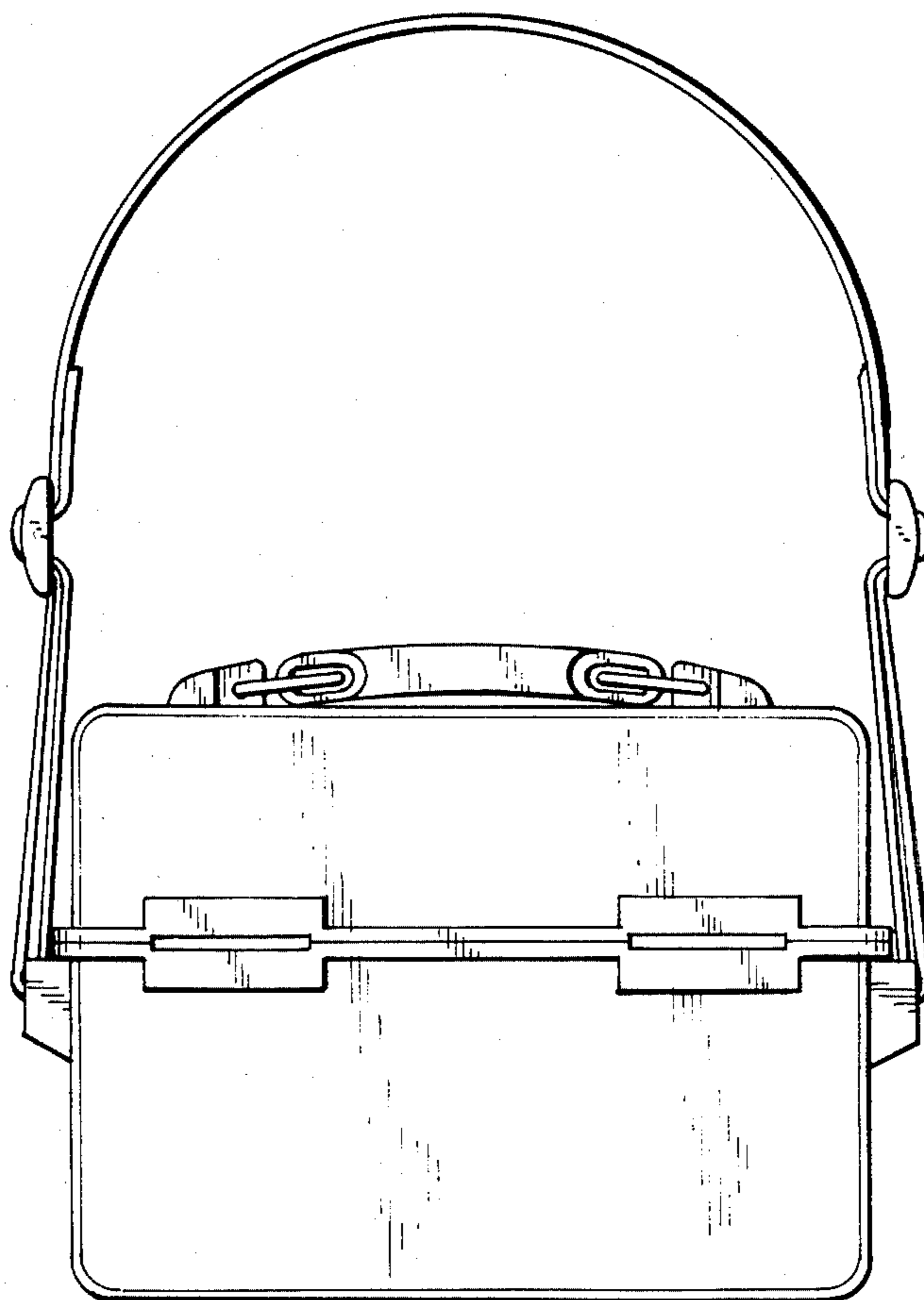


FIG. 3

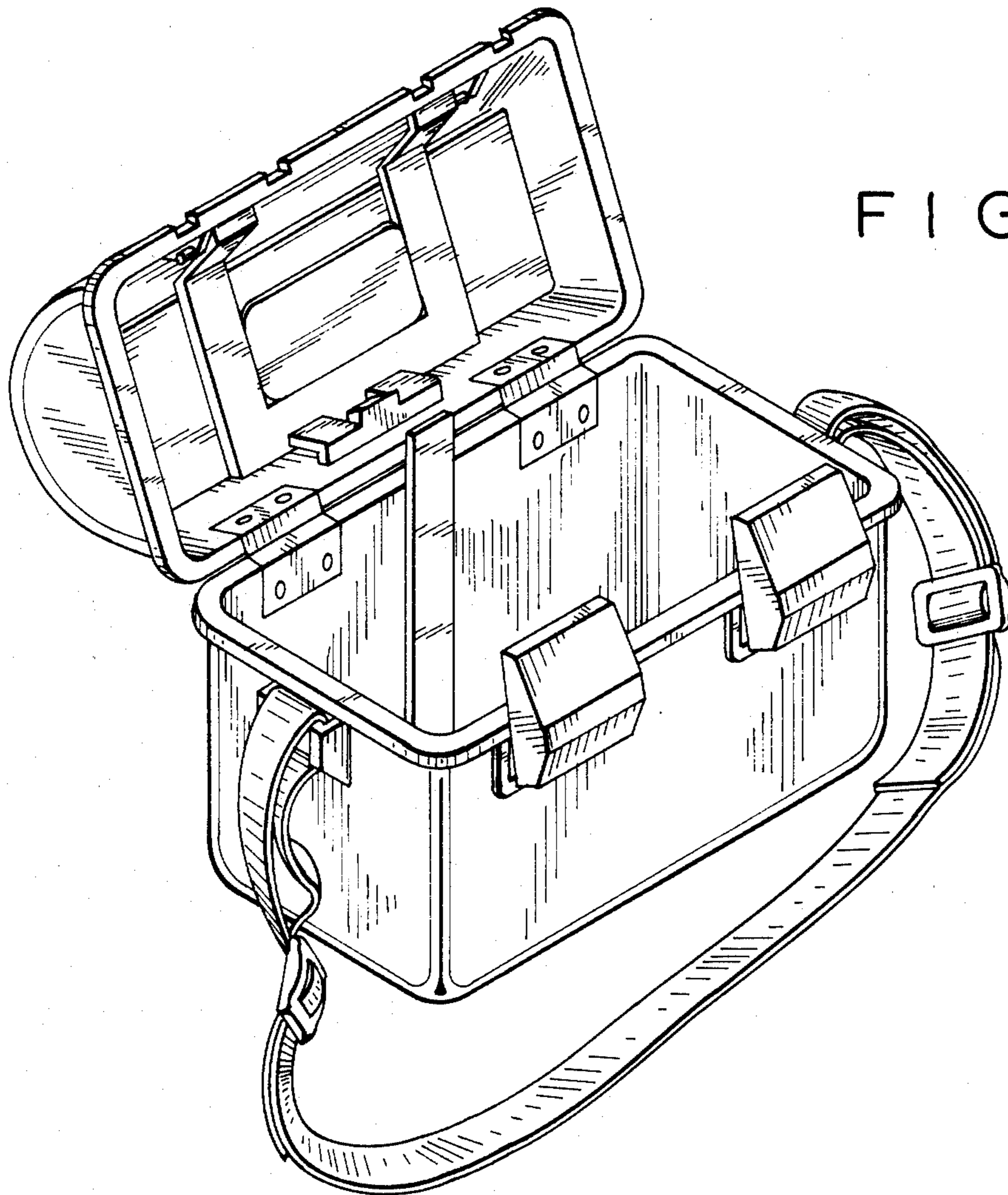


FIG. 2

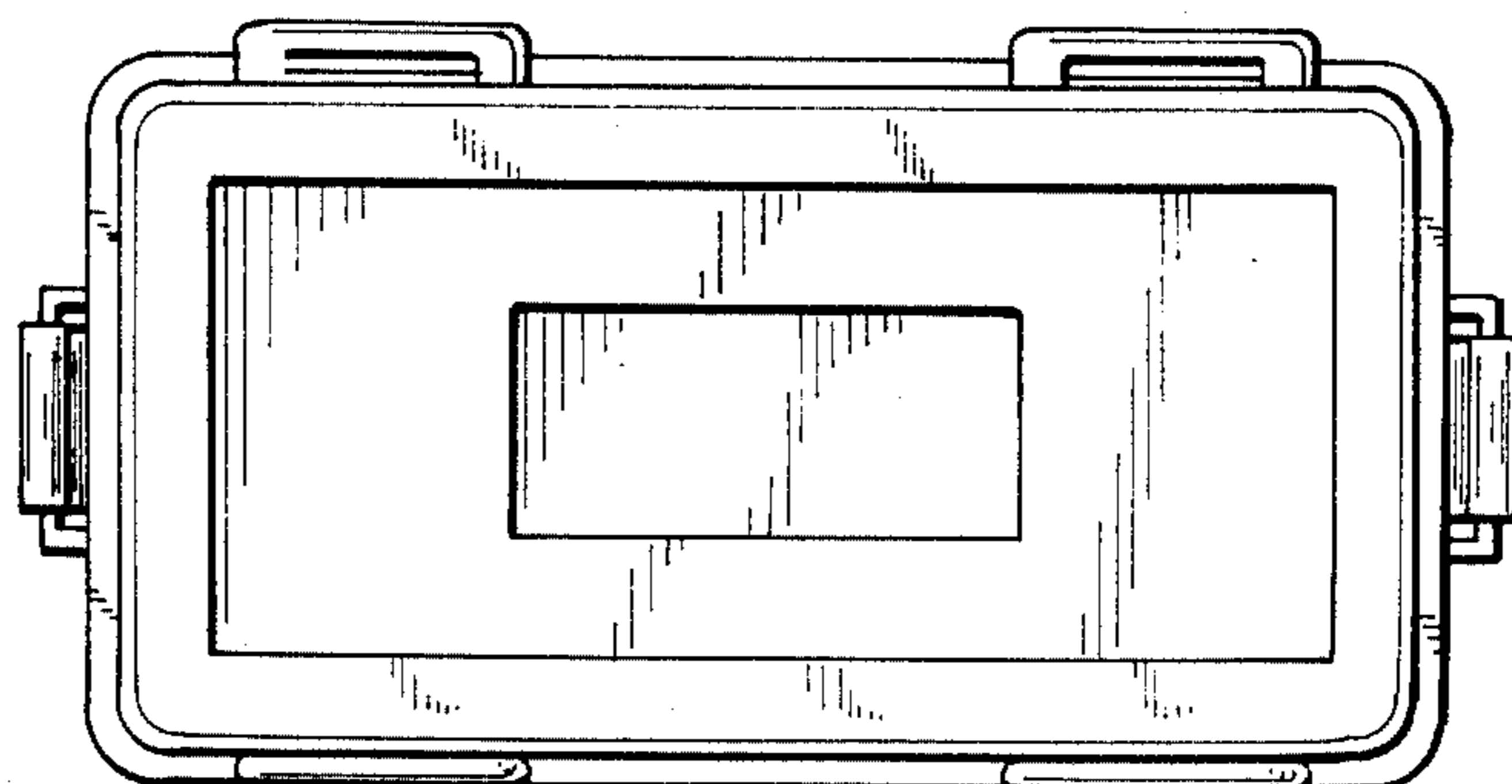


FIG. 4