

United States Patent [19]

DeLuca

[11] Patent Number: **Des. 297,599**

[45] Date of Patent: **** Sep. 13, 1988**

[54] TABLE

[75] Inventor: **Hector A. DeLuca, Woodland Hills, Calif.**

[73] Assignee: **Schnadig Corporation, Chicago, Ill.**

[**] Term: **14 Years**

[21] Appl. No.: **889,128**

[22] Filed: **Jul. 8, 1986**

[52] U.S. Cl. **D6/486; D6/442**

[58] Field of Search **D6/480; D6/449, 442, D6/455, 480, 481, 482, 484, 485, 486, 488**

[56] **References Cited**

U.S. PATENT DOCUMENTS

- D. 198,800 8/1964 Hekler D6/442
- D. 225,935 1/1973 Kienel D6/486
- D. 279,633 7/1985 Bromley D6/480

- D. 287,680 1/1987 Longren D6/485
- D. 288,642 3/1987 DeLuca D6/480
- D. 290,669 7/1976 Lacoux D6/480 X

Primary Examiner—Bruce W. Dunkins

[57] CLAIM

The ornamental design for a table, as shown and described.

DESCRIPTION

FIG. 1 is an elevational view of a table showing one of the four identical sides of my new design;

FIG. 2 is an enlarged fragmentary perspective view showing one of the four identical corners of the table in greater detail;

FIG. 3 is a perspective view of the table on a reduced scale;

FIG. 4 is a top plan view of the table shown in FIG. 3; and

FIG. 5 is a bottom plan view thereof.

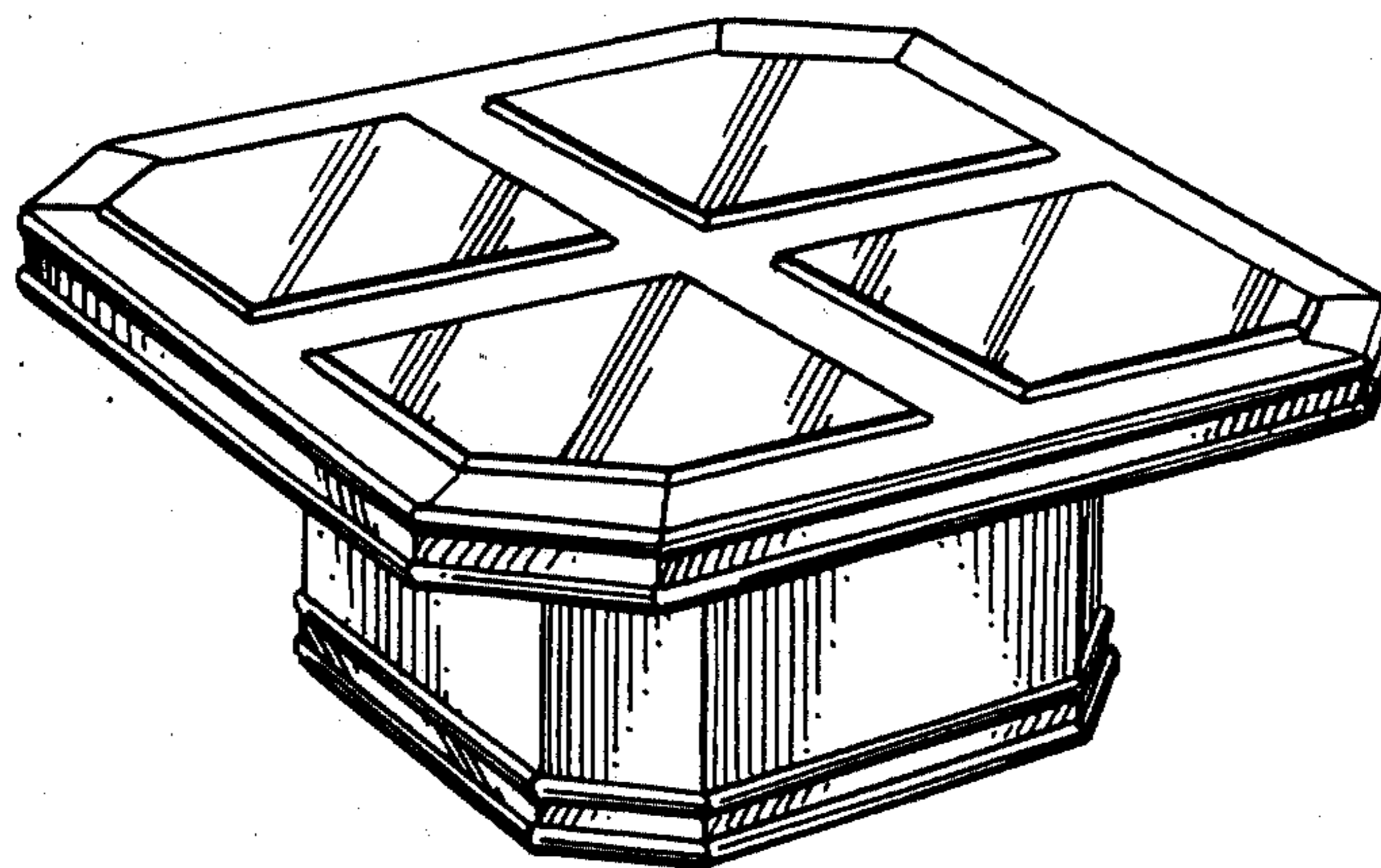


FIG. 1

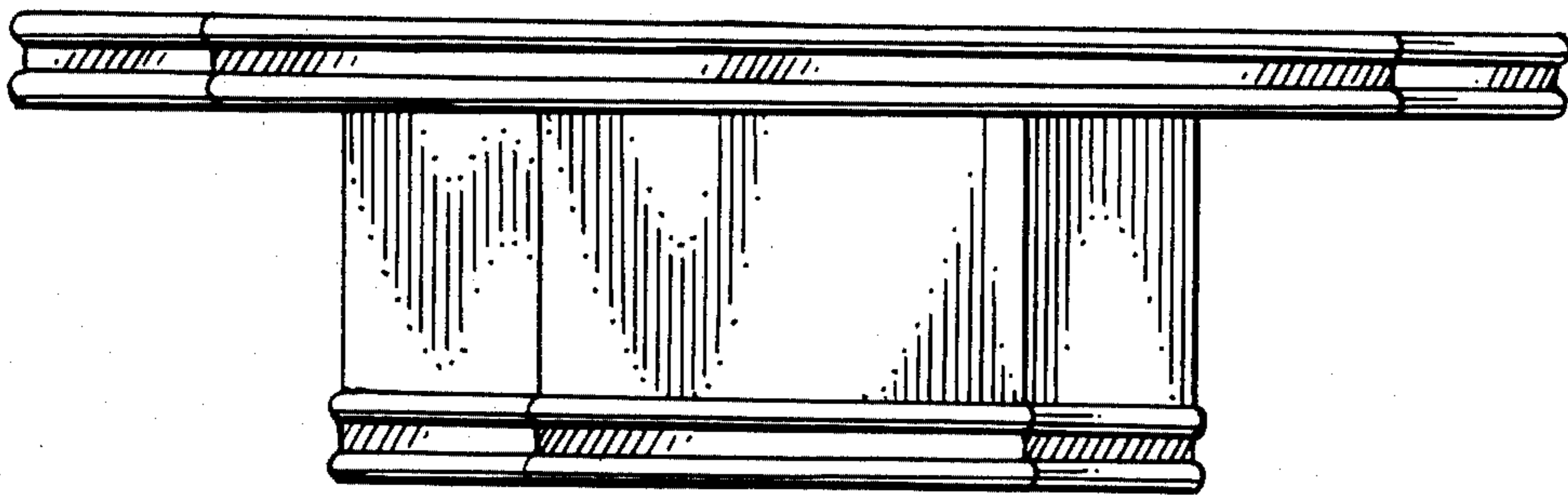


FIG. 2

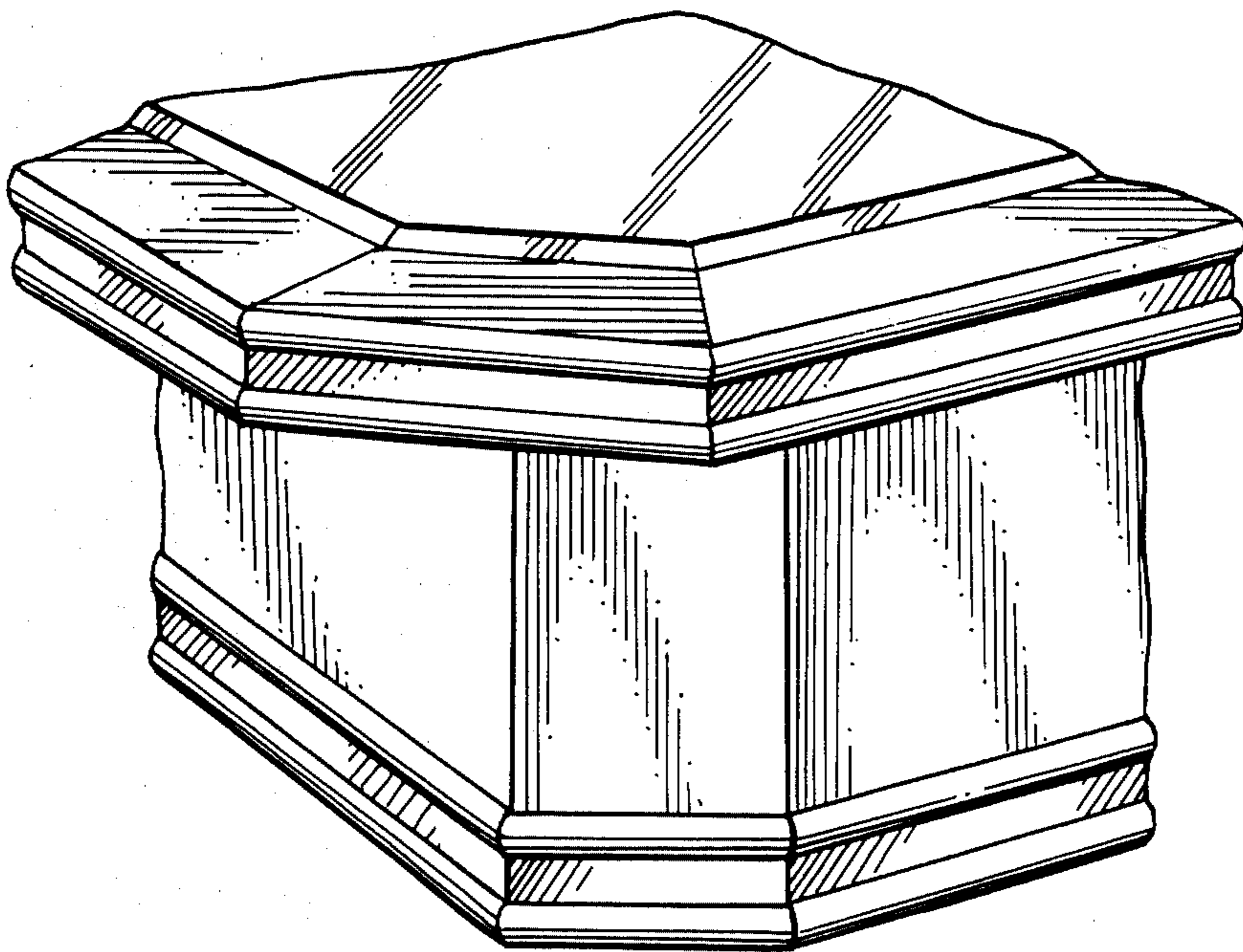


FIG. 3

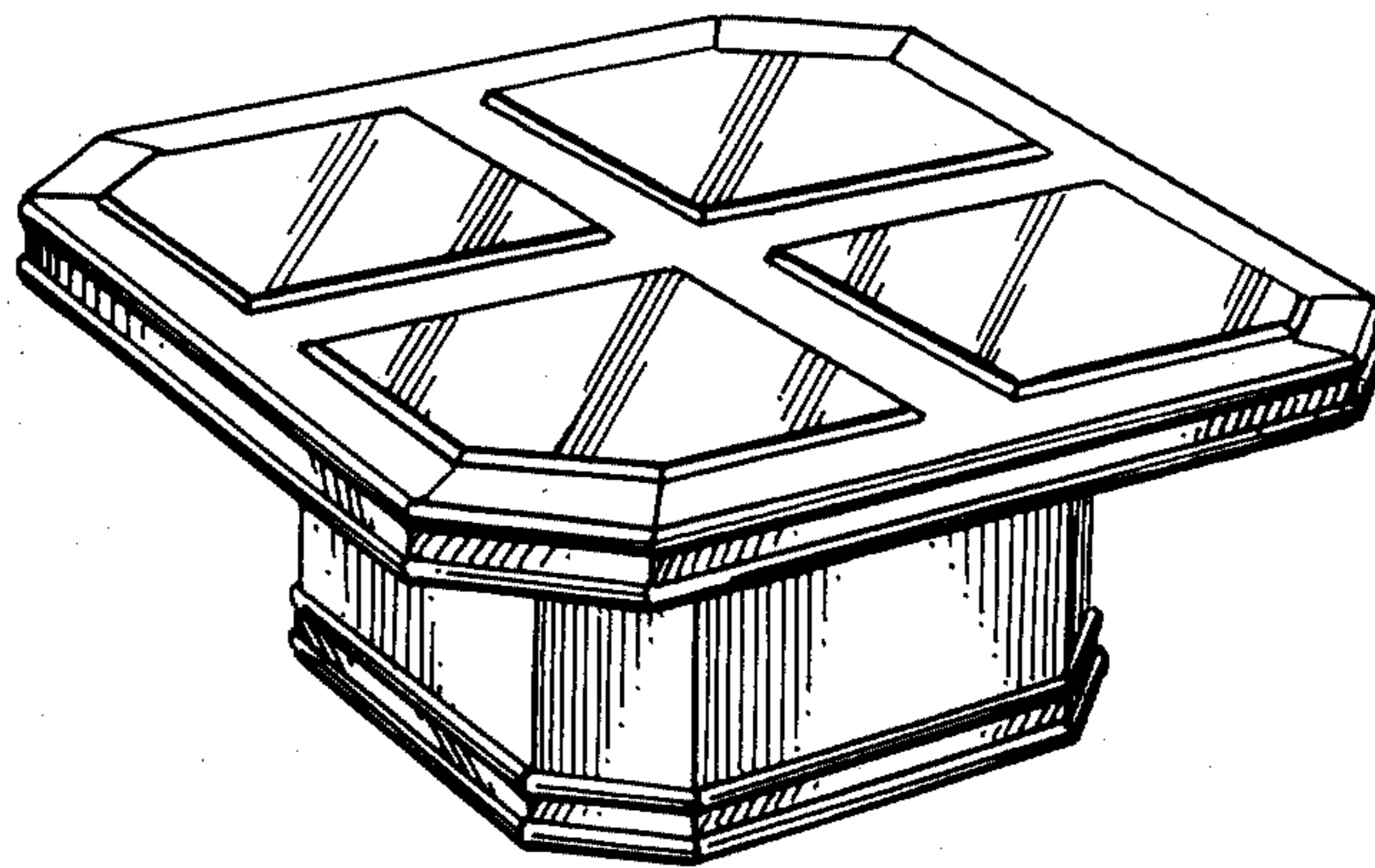


FIG. 4

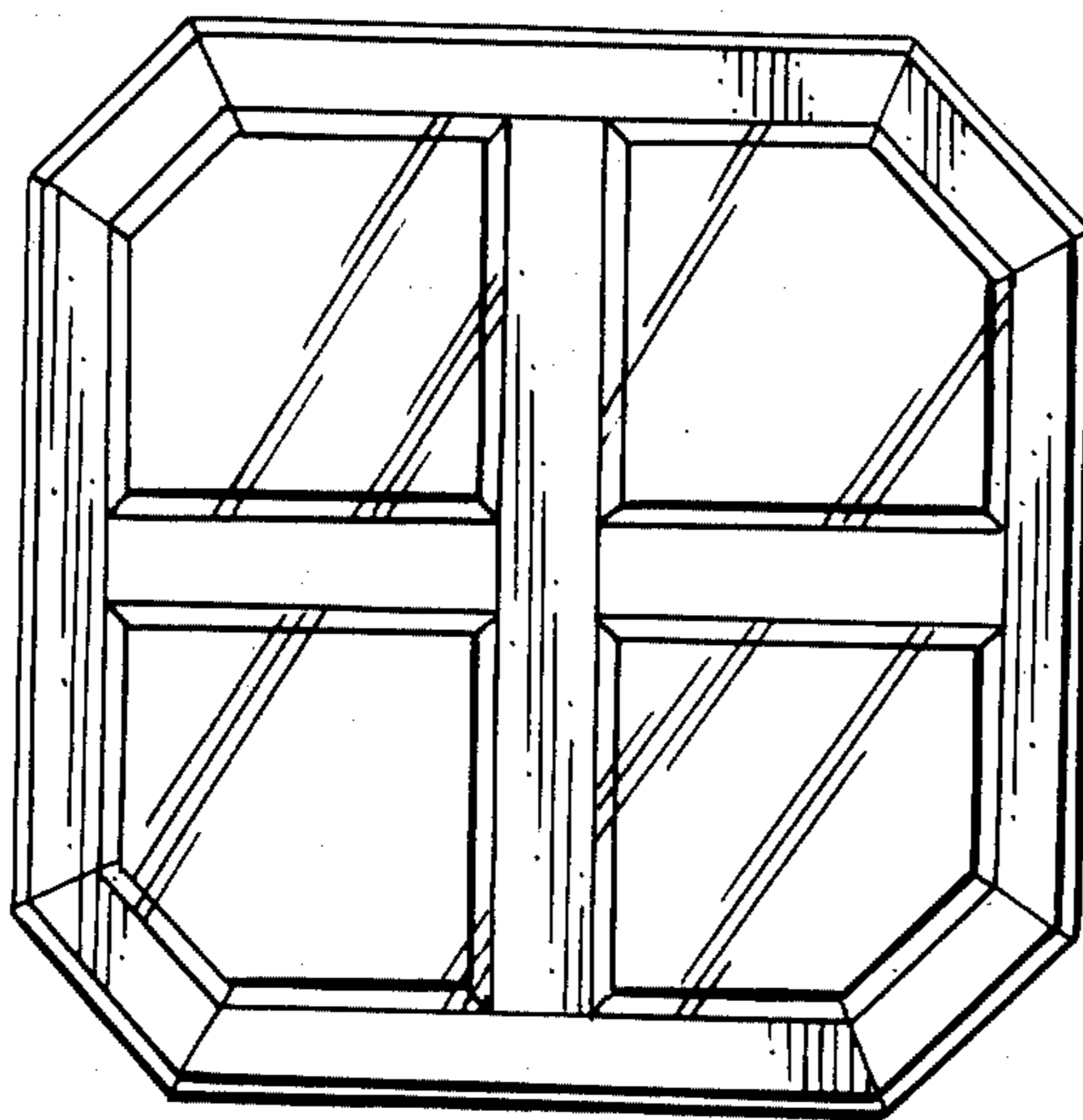


FIG. 5

