

[54] WHEELED CARRIER

[76] Inventor: Joseph E. Bateham, Rte. 1, Box 2390, Sylvester, Ga. 31791

[**] Term: 14 Years

[21] Appl. No.: 741,829

[22] Filed: Jun. 6, 1985

[52] U.S. Cl. D34/26; D34/15

[58] Field of Search D34/12, 24, 26, 15; 280/47.17, 47.24, 47.27, 35, 655, 47.26

[56] References Cited

U.S. PATENT DOCUMENTS

2,514,849	7/1950	Dewing	280/35
2,518,803	8/1950	Marvin	280/47.27
3,180,507	4/1965	Ott et al.	280/47.27
4,294,463	10/1981	Kotani	280/655

FOREIGN PATENT DOCUMENTS

1401130	7/1975	United Kingdom	280/47.26
2491852	4/1982	France	280/47.17

Primary Examiner—Wallace R. Burke
Assistant Examiner—Kay H. Chin
Attorney, Agent, or Firm—James B. Middleton

[57] CLAIM

The ornamental design for a wheeled carrier, as shown and described.

DESCRIPTION

FIG. 1 is a front perspective view of wheeled carrier showing my new design;
FIG. 2 is a right side elevational view thereof;
FIG. 3 is a rear elevational view thereof;
FIG. 4 is a bottom plan view thereof;
FIG. 5 is a side elevational view thereof, showing the wheeled carrier in use. The broken lines are for illustrative purposes only and form no part of the claimed design.

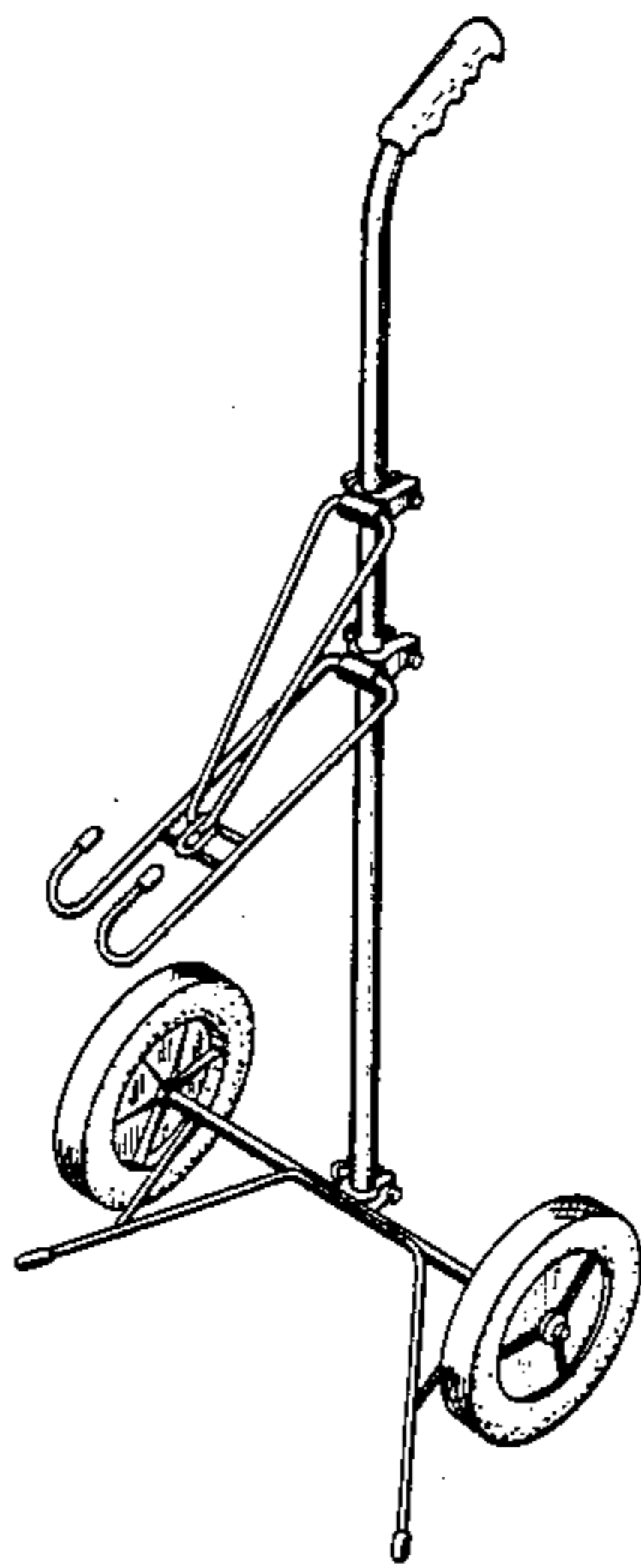


Fig. 1

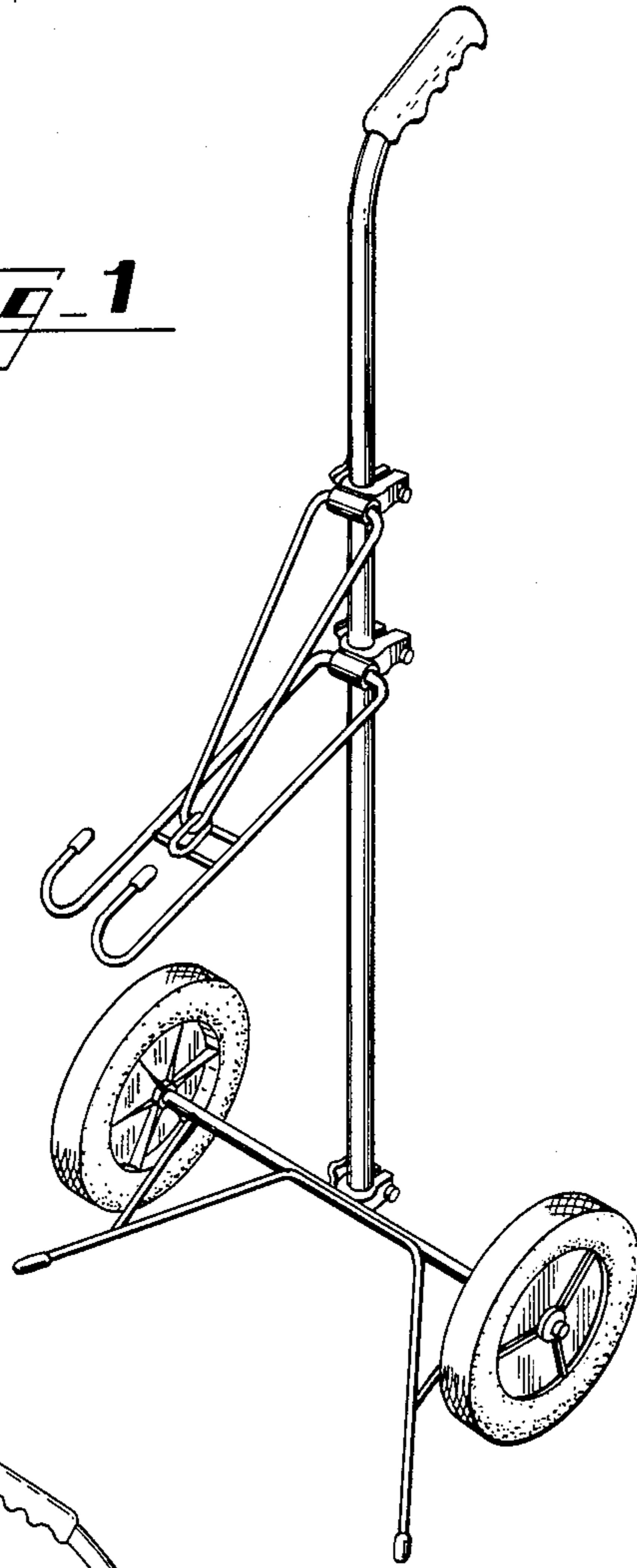
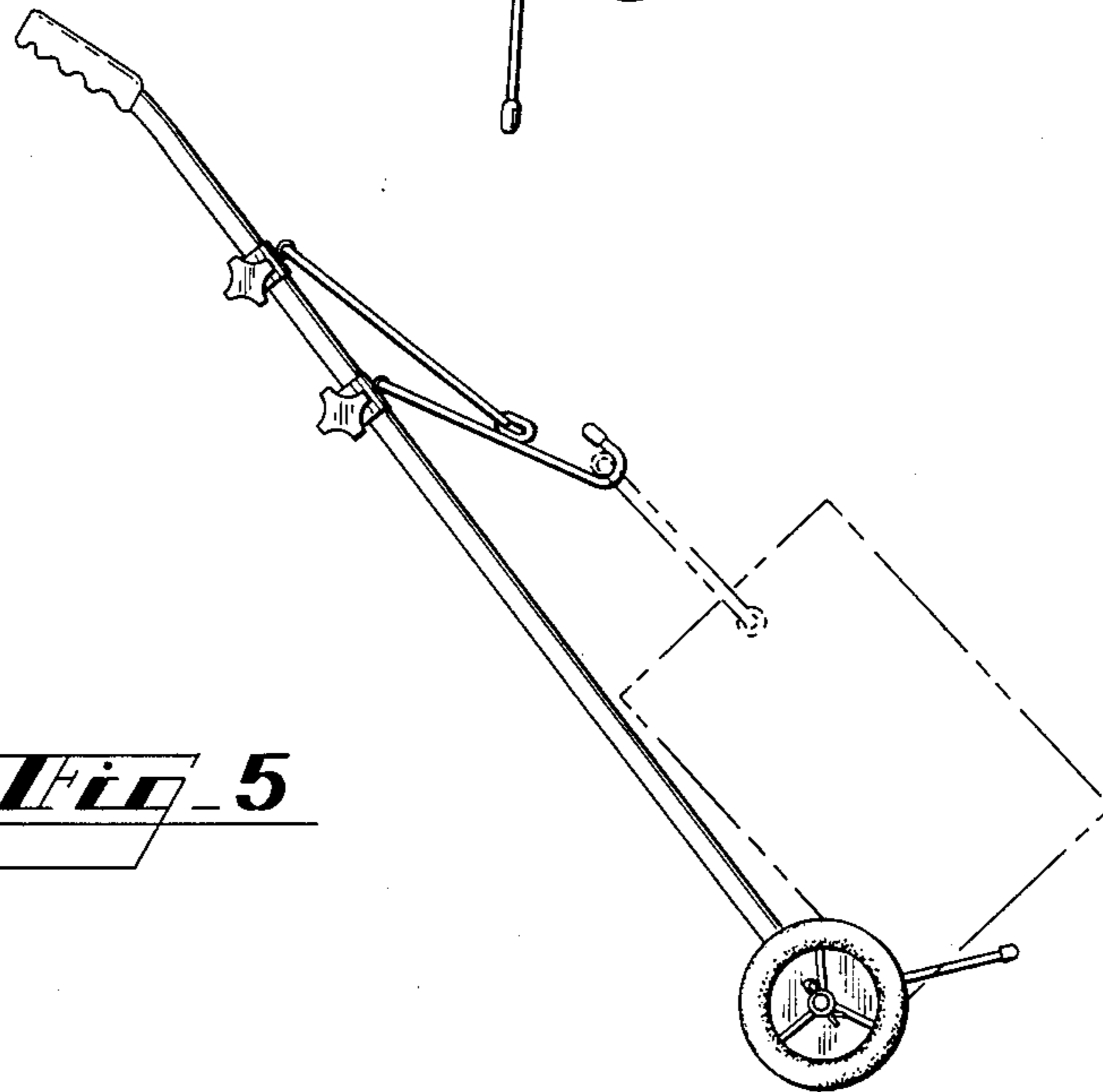


Fig. 5



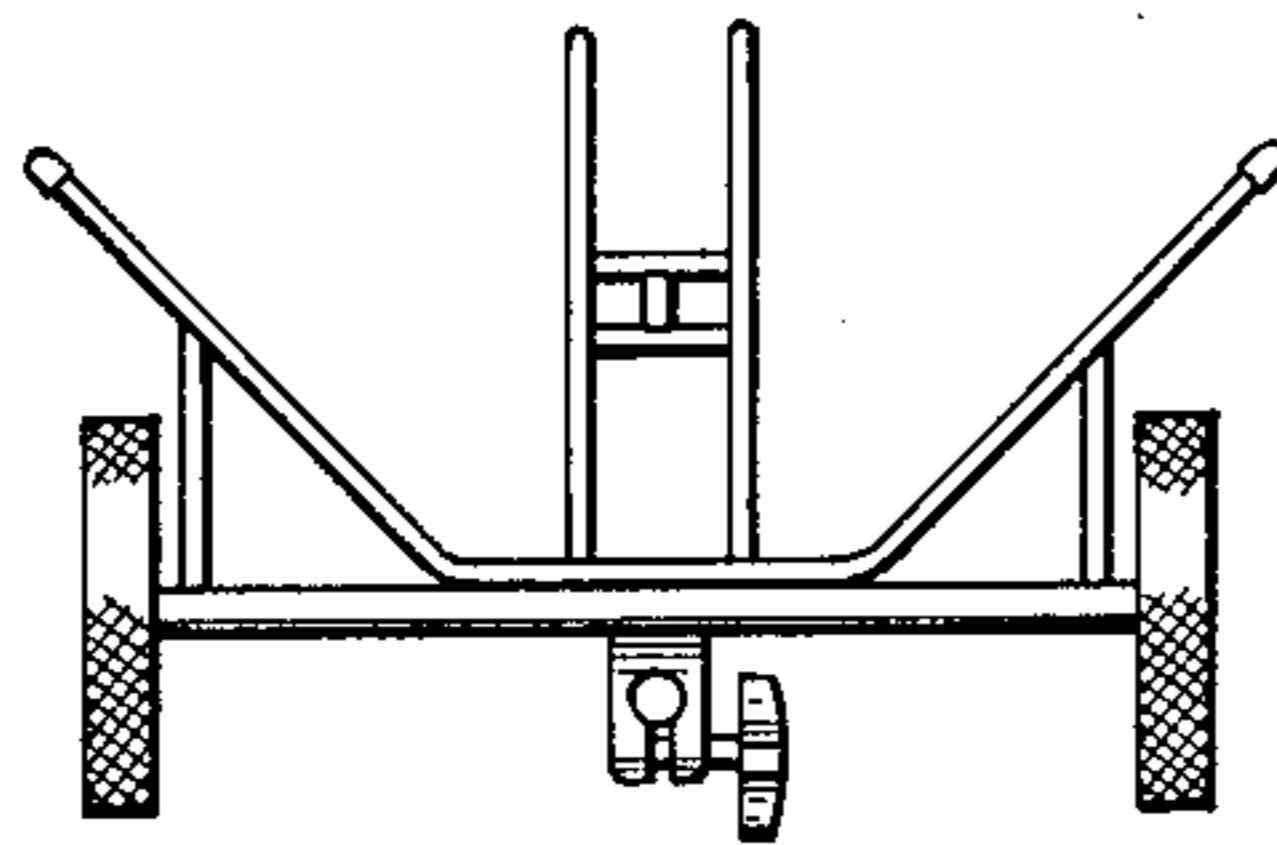
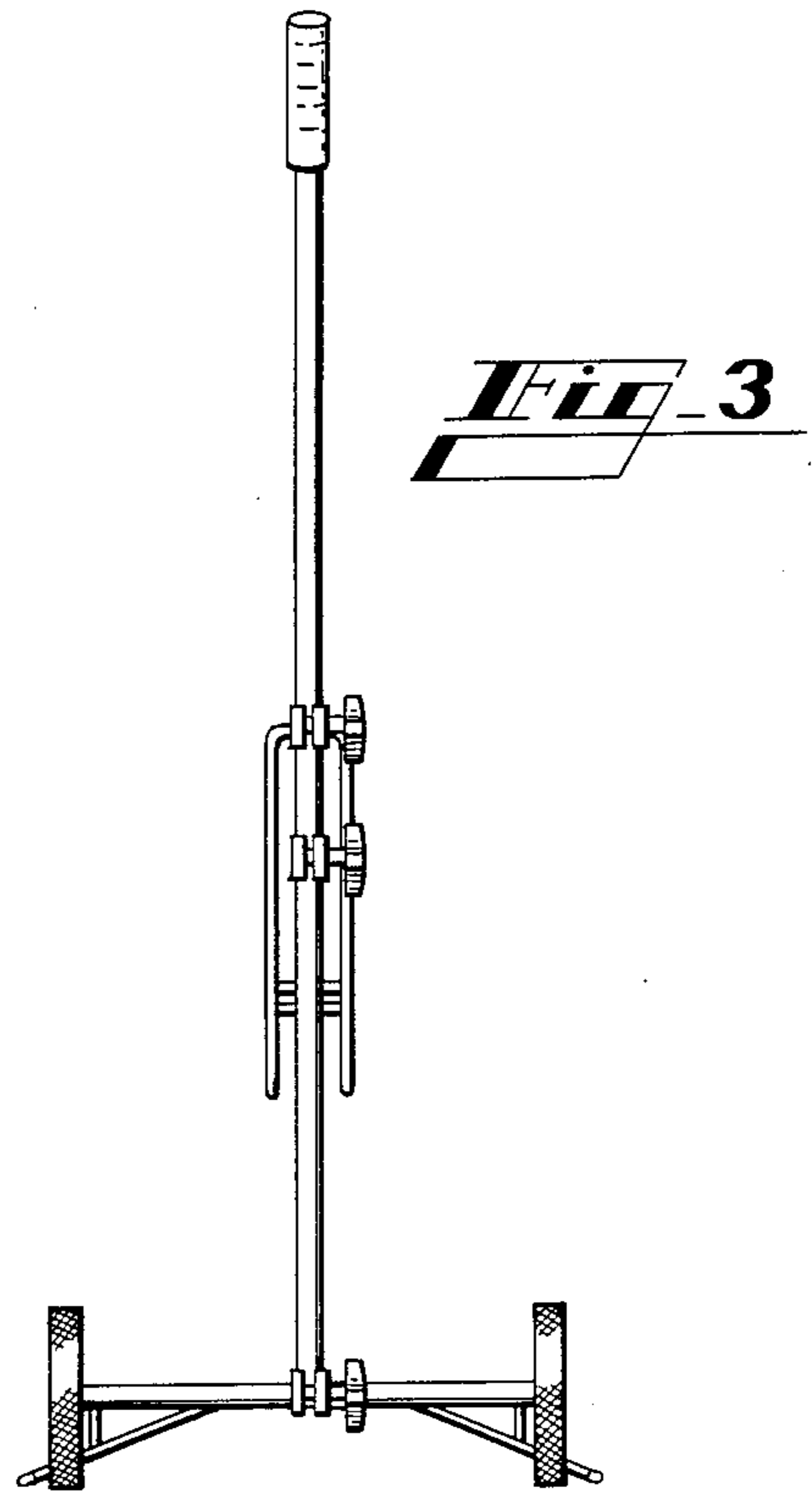
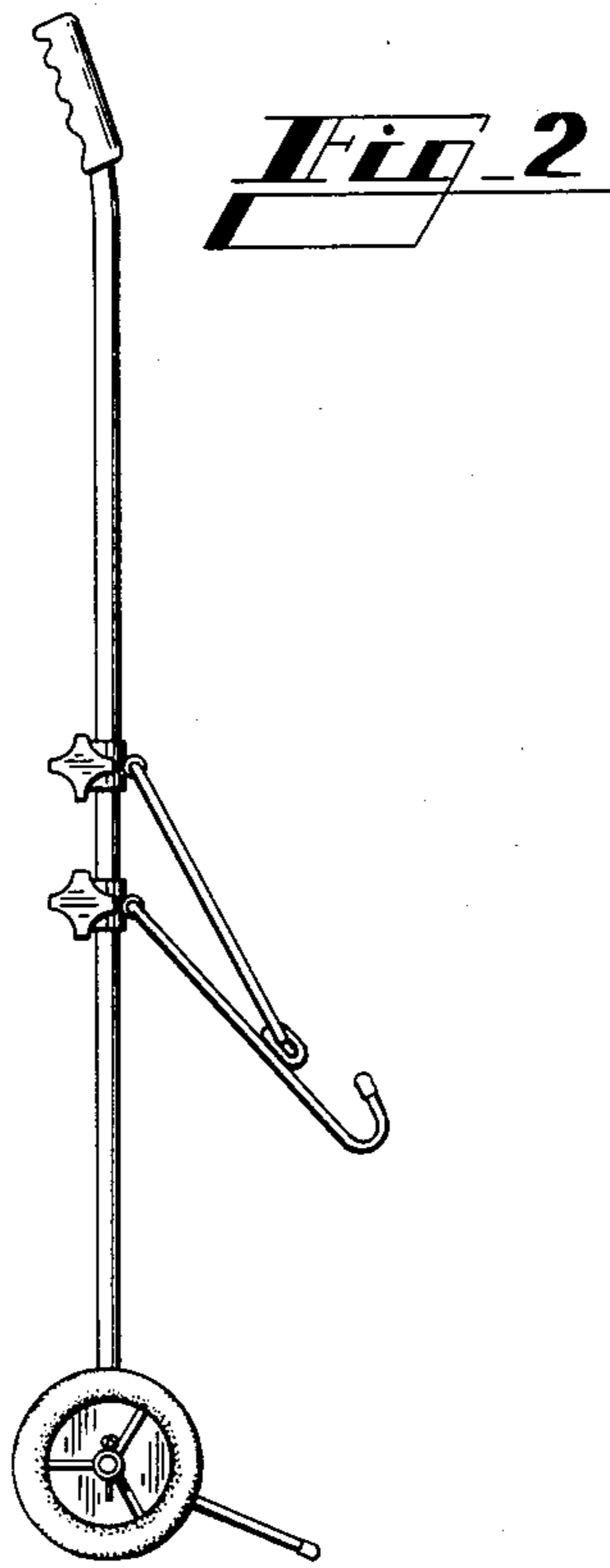


Fig. 4