

[54] TRAY FOR PERFUME AND MAKEUP TRAY

[76] Inventor: Howard Sussman, 1079 Hillsboro Mile, Hillsboro Beach, Fla. 33062

[**] Term: 14 Years

[21] Appl. No.: 807,323

[22] Filed: Dec. 10, 1985

[52] U.S. Cl. D28/76; D34/40

[58] Field of Search D28/4-9, D28/38, 61, 73-91.1; D3/39; D9/337, 341, 347, 414, 424; D21/108; D34/40, 46; 132/1 R, 79 R-79 D; 206/235, 385, 581, 823; 312/108, 111

[56] References Cited

U.S. PATENT DOCUMENTS

- D. 228,263 8/1973 Jones D9/424
- D. 238,145 12/1975 Ketcham D21/108 X

- D. 283,074 3/1986 Skillius D34/40
- 3,404,804 10/1968 Frater et al. D34/40 X
- 3,851,936 12/1974 Muller 312/111 X

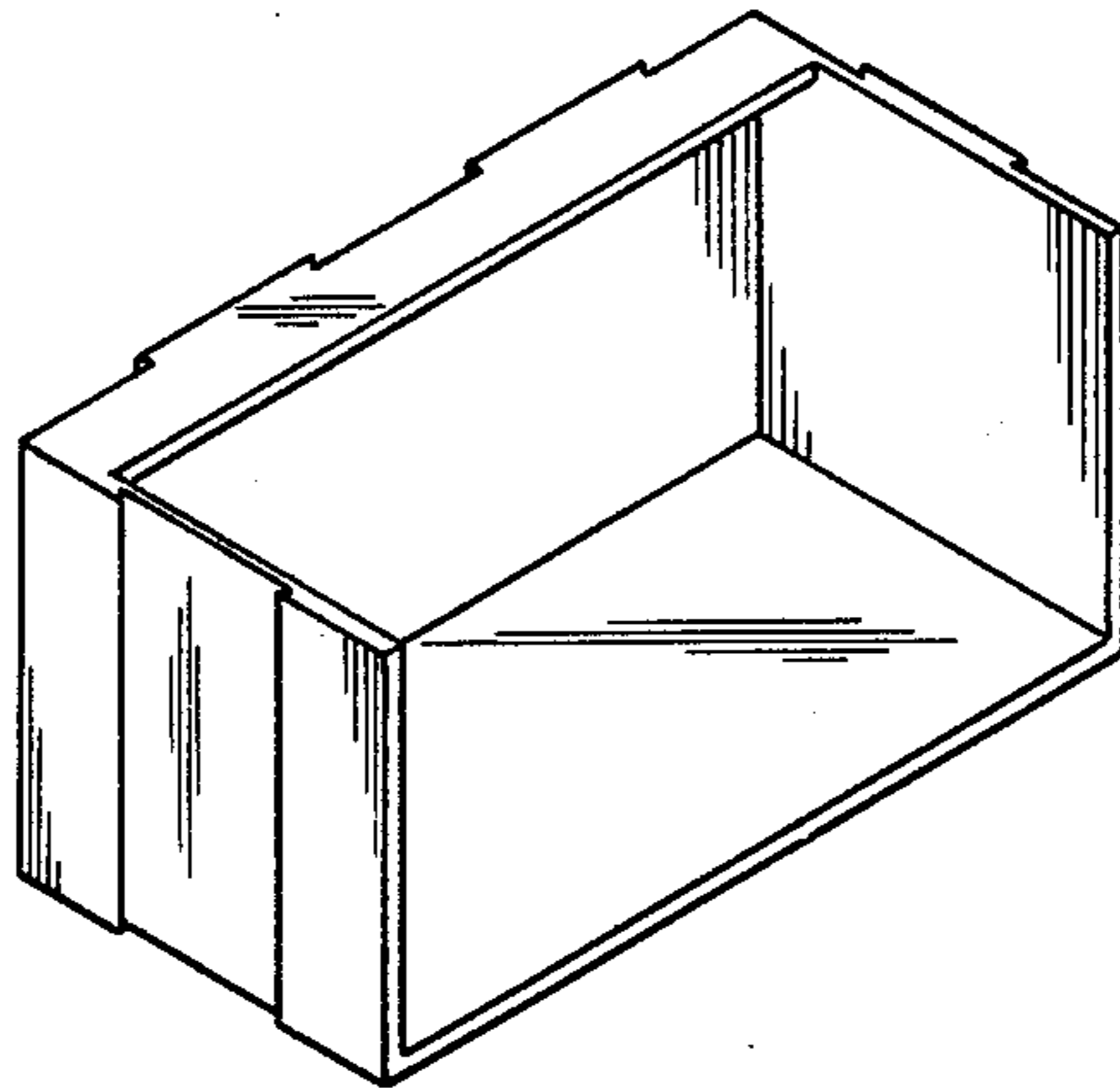
Primary Examiner—Louis S. Zarfes

[57] CLAIM

The ornamental design for a tray for perfume and makeup tray, as shown and described.

DESCRIPTION

FIG. 1 is a left-front isometric view of a tray for perfume and makeup tray showing my new design;
 FIG. 2 is a plan view thereof;
 FIG. 3 is a front elevational view thereof;
 FIG. 4 is a bottom view thereof;
 FIG. 5 is a rear elevational view thereof;
 FIG. 6 is a right side elevational view thereof;
 FIG. 7 is a left side elevational view thereof; and
 FIG. 8 is a section along line 8—8 of FIG. 1.



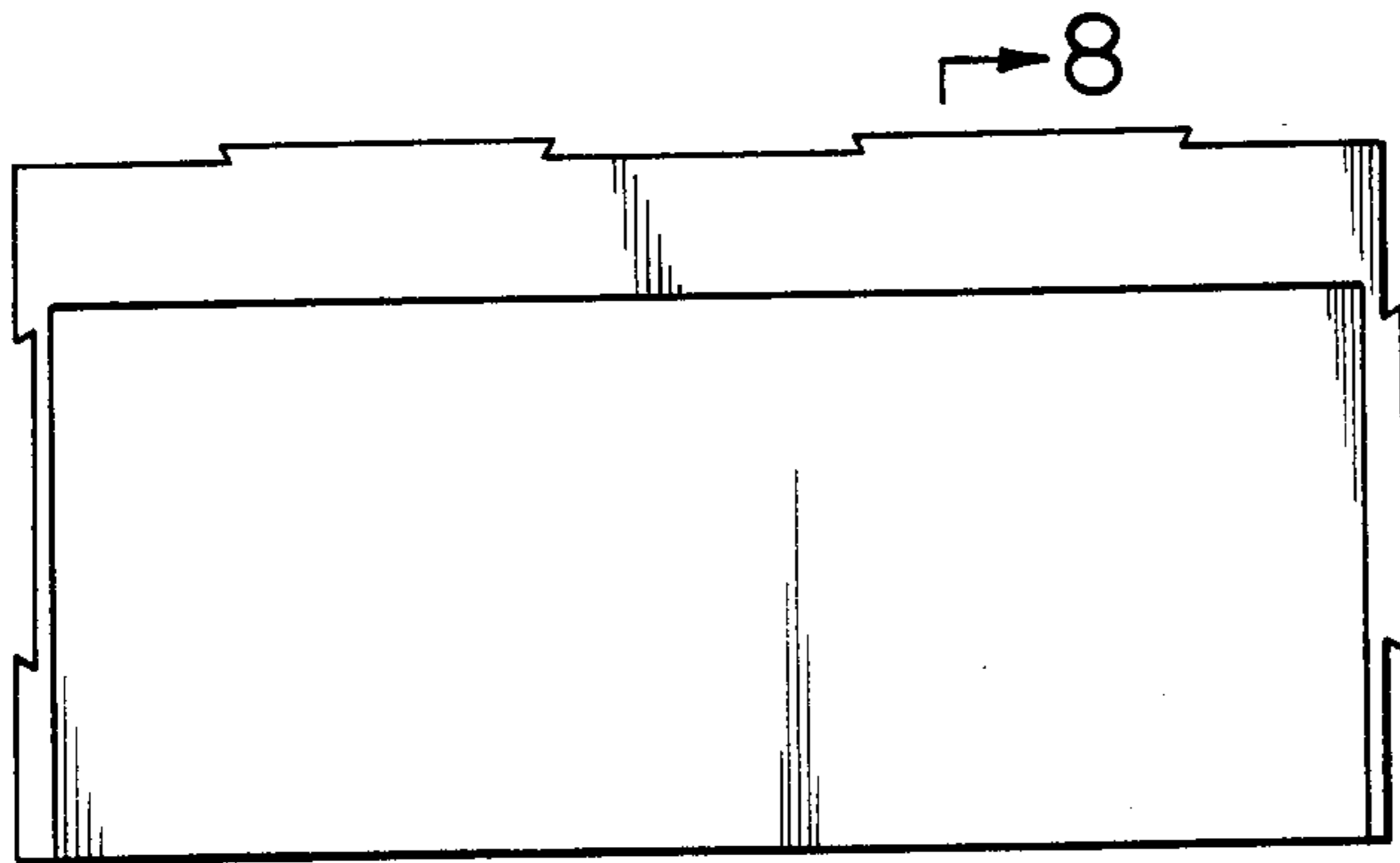


FIG. 2

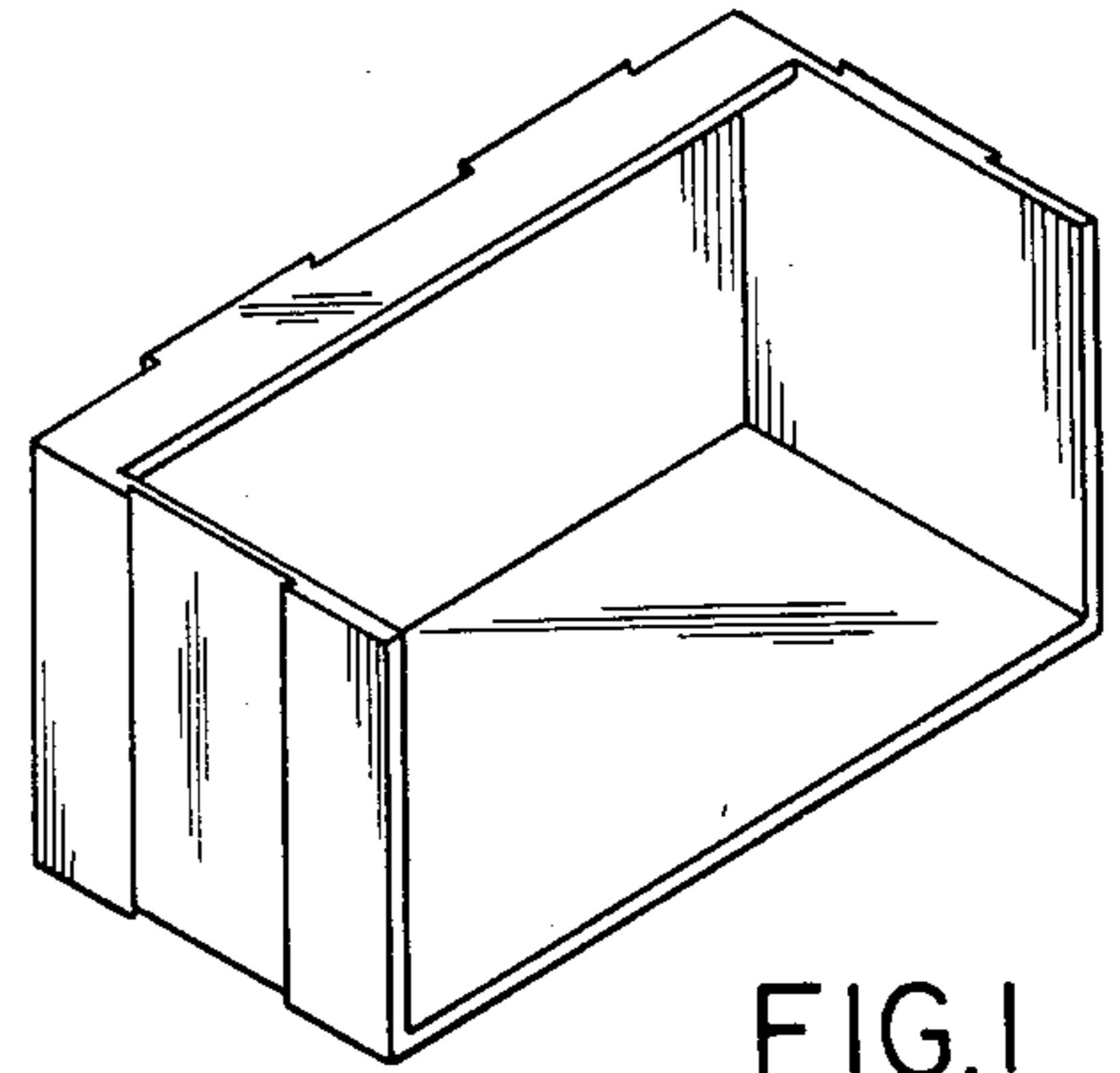


FIG. 1

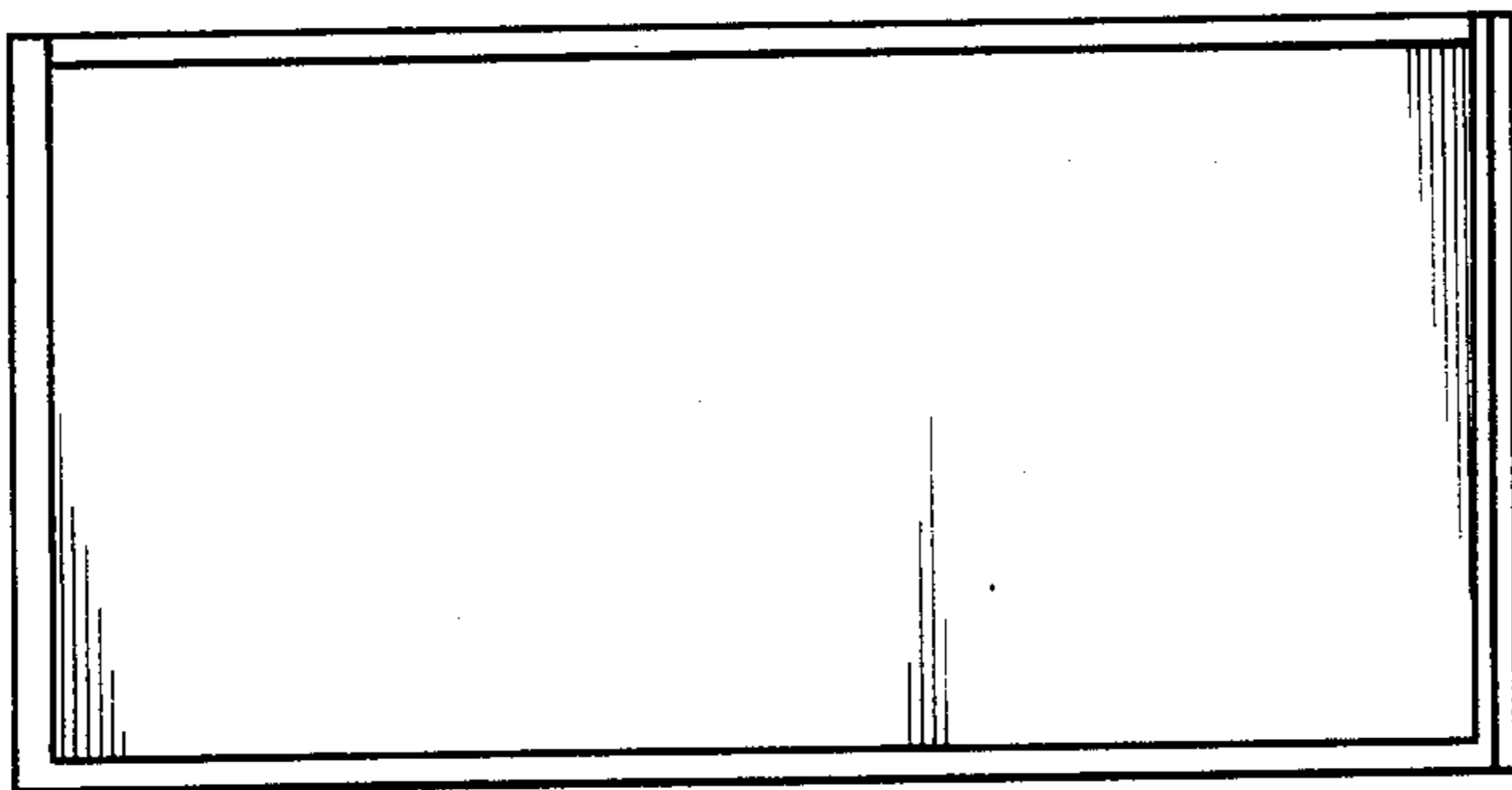


FIG. 3

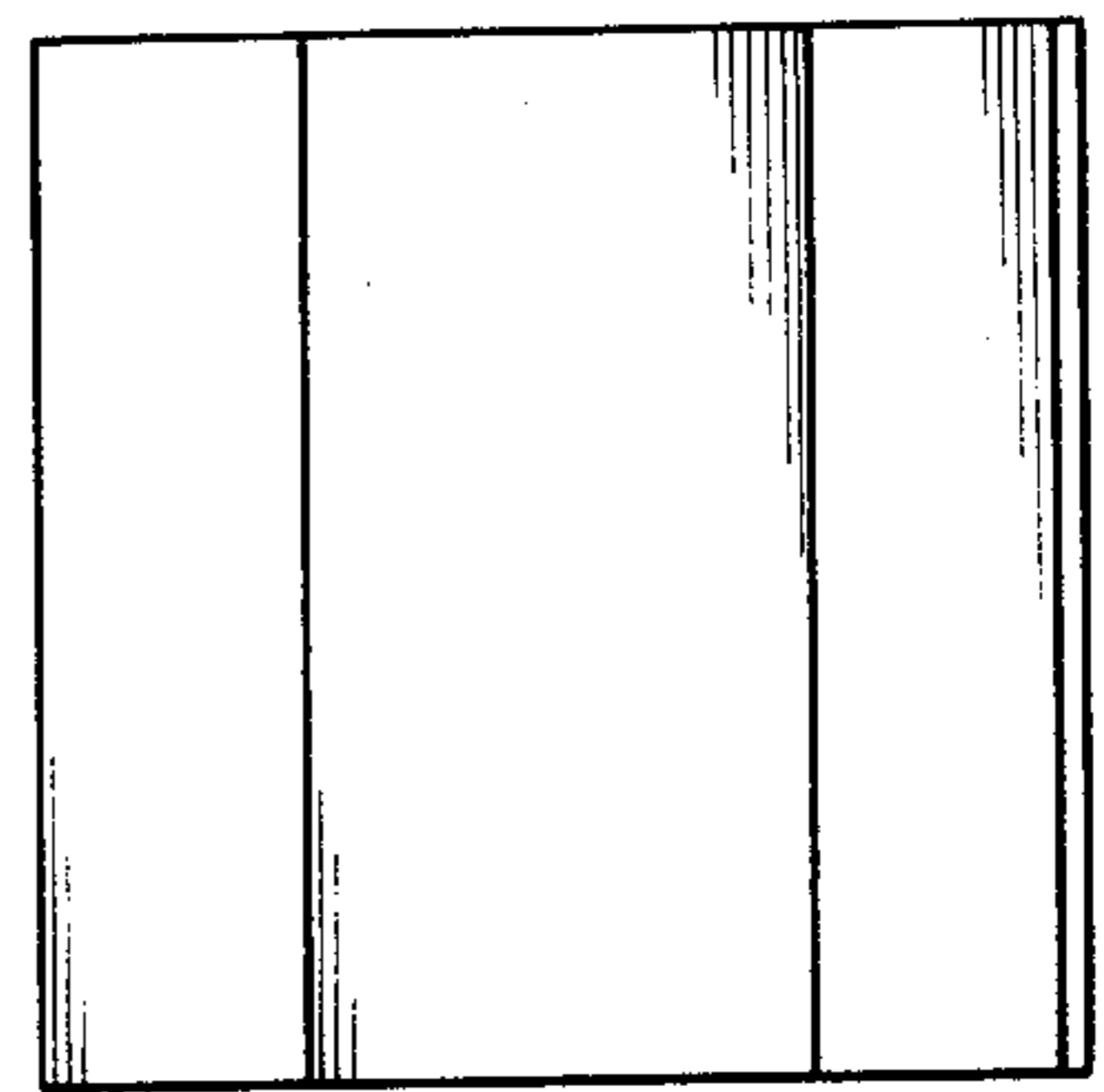


FIG. 6

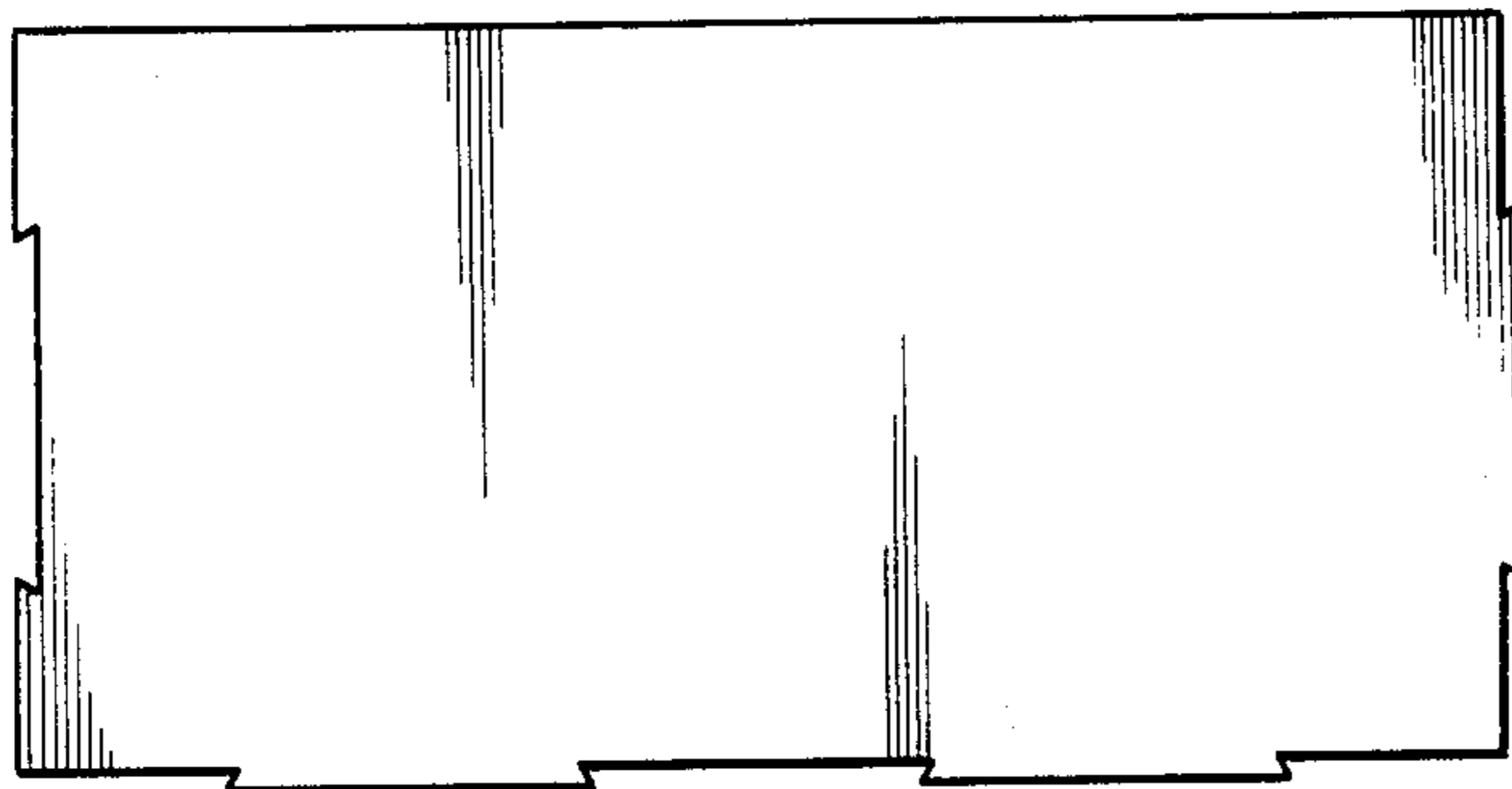


FIG. 4

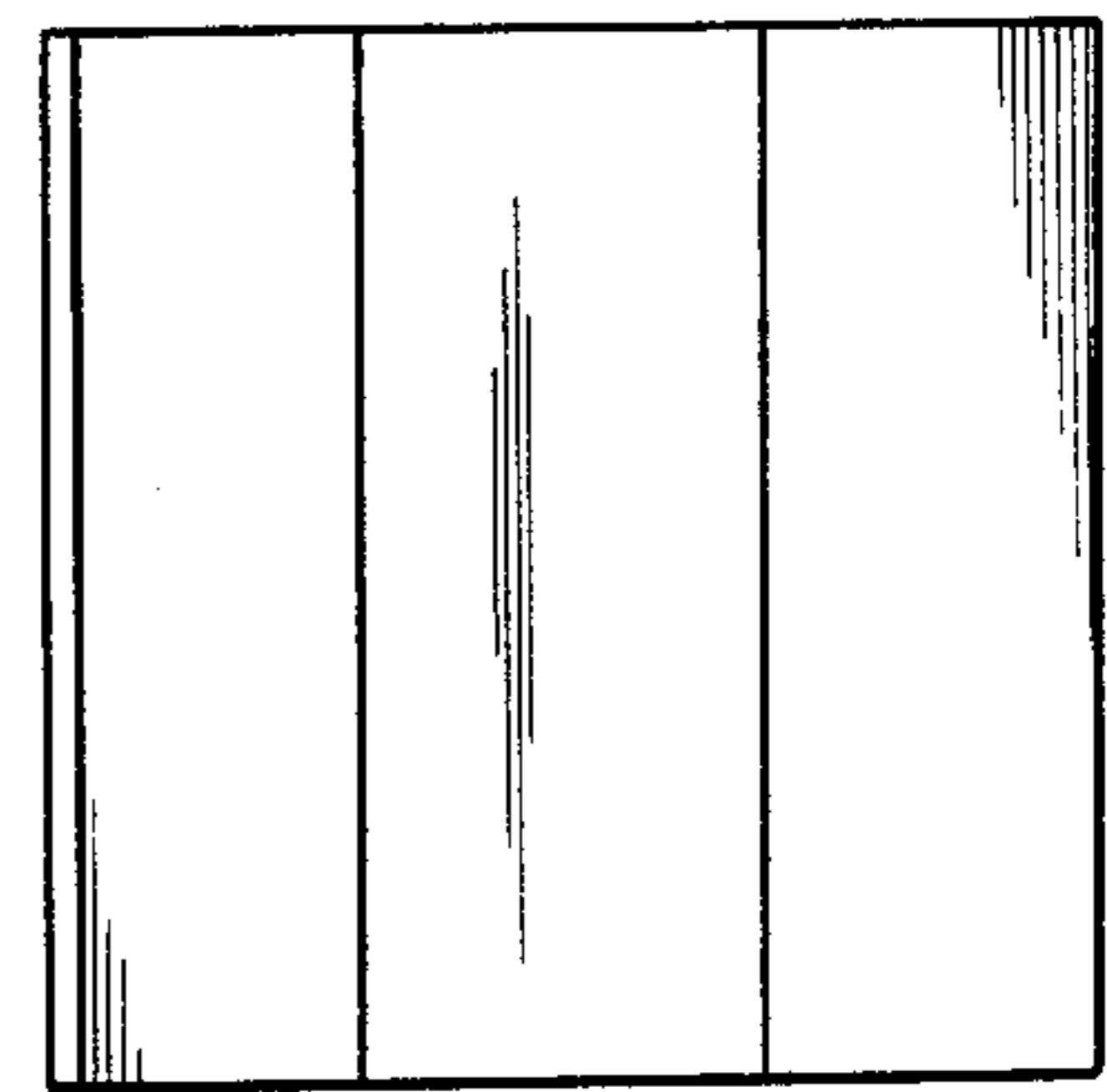


FIG. 7

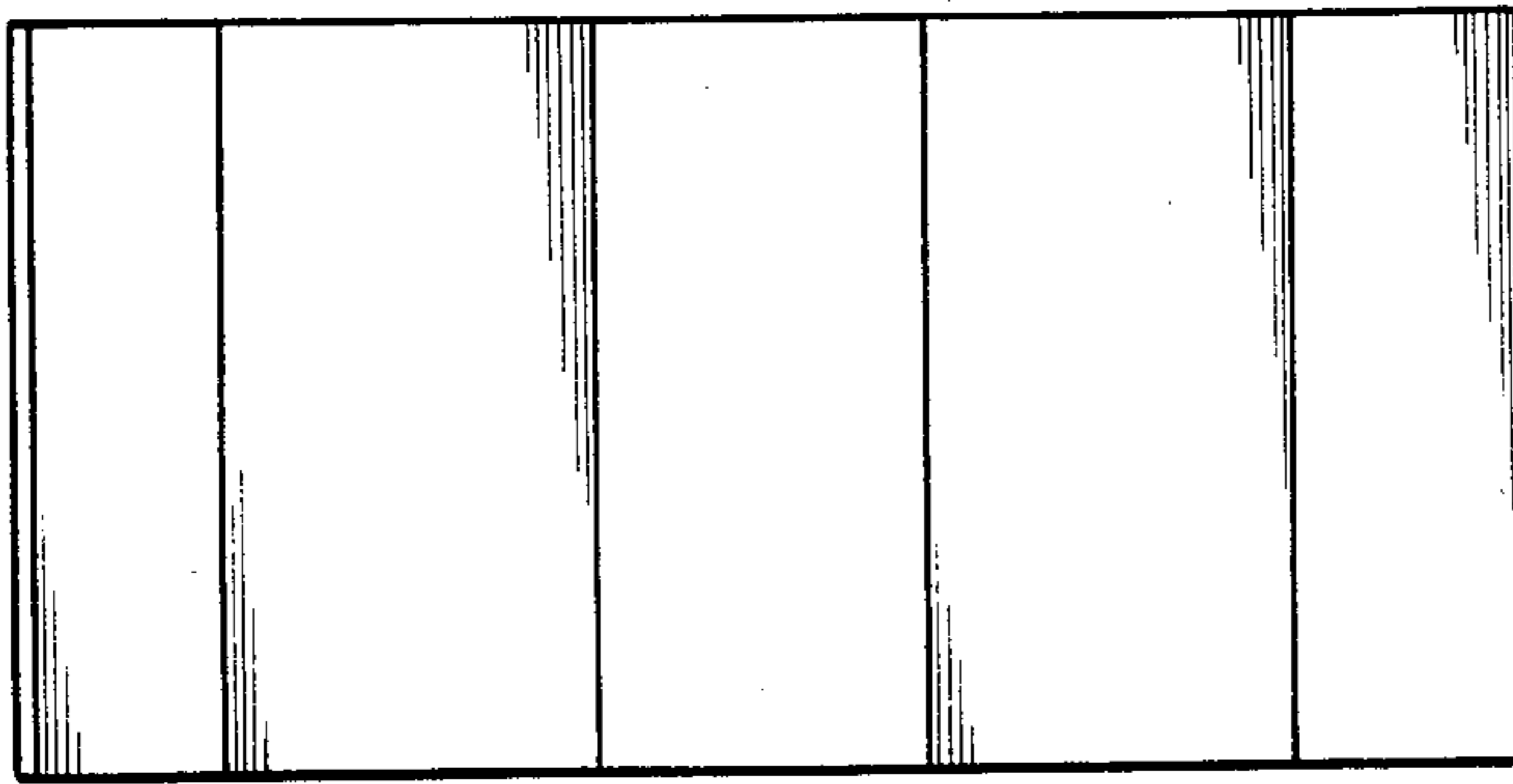


FIG. 5

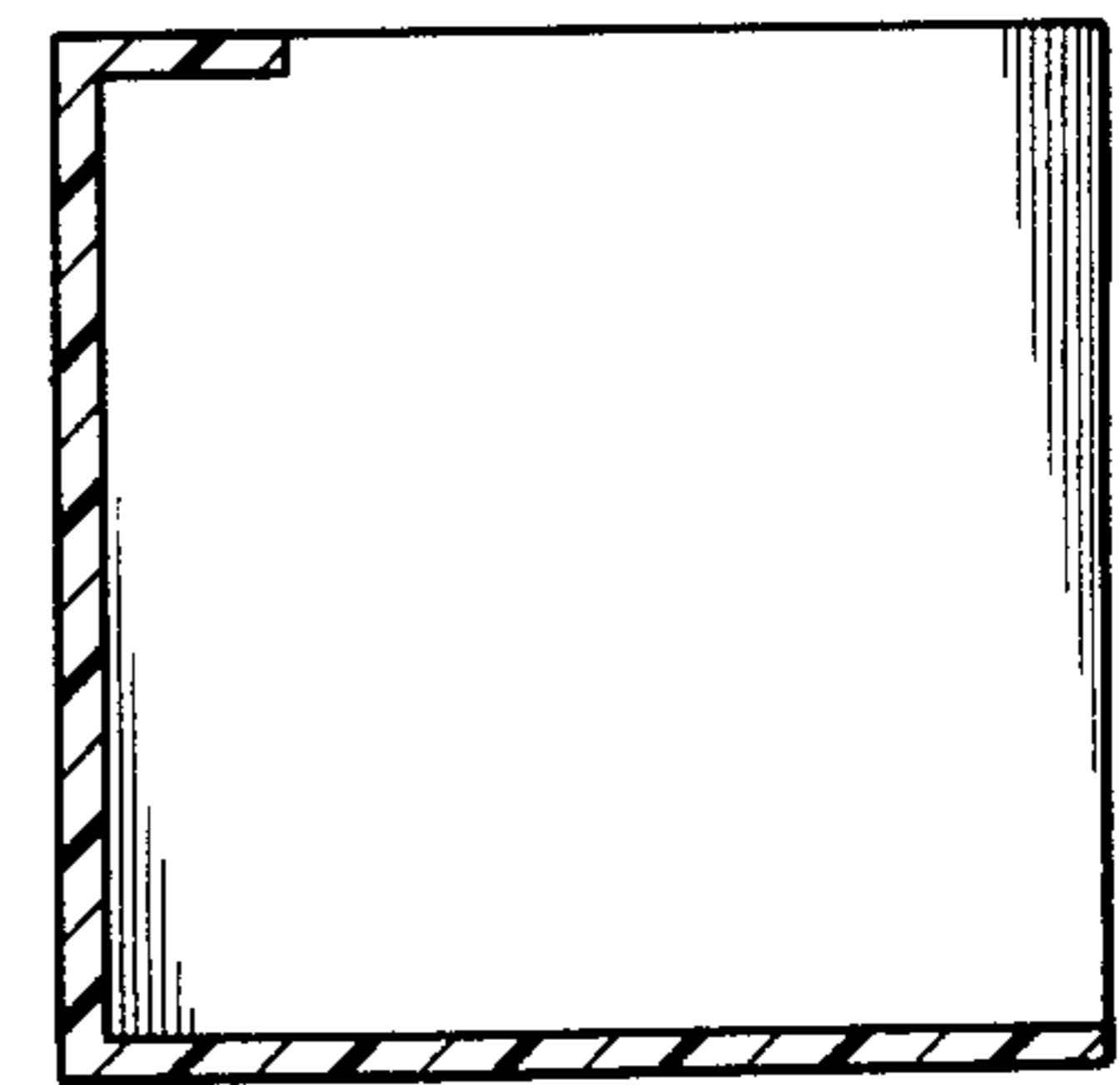


FIG. 8