

[54] TORCH

[75] Inventor: Kittson Mann, Kowloon, Hong Kong

[73] Assignee: Chung Mei Metal & Plastic Factory Limited, Hong Kong, Hong Kong

[**] Term: 14 Years

[21] Appl. No.: 806,616

[22] Filed: Dec. 9, 1985

[30] Foreign Application Priority Data

Oct. 7, 1985 [GB] United Kingdom 1029657
 [52] U.S. Cl. D26/37
 [58] Field of Search D26/37-50;
 362/157, 158, 183-208

[56] References Cited

U.S. PATENT DOCUMENTS

2,805,325 9/1957 Crawford 362/191
 4,052,610 10/1977 Sternlicht 362/197 X

FOREIGN PATENT DOCUMENTS

1347134 11/1963 France 362/197

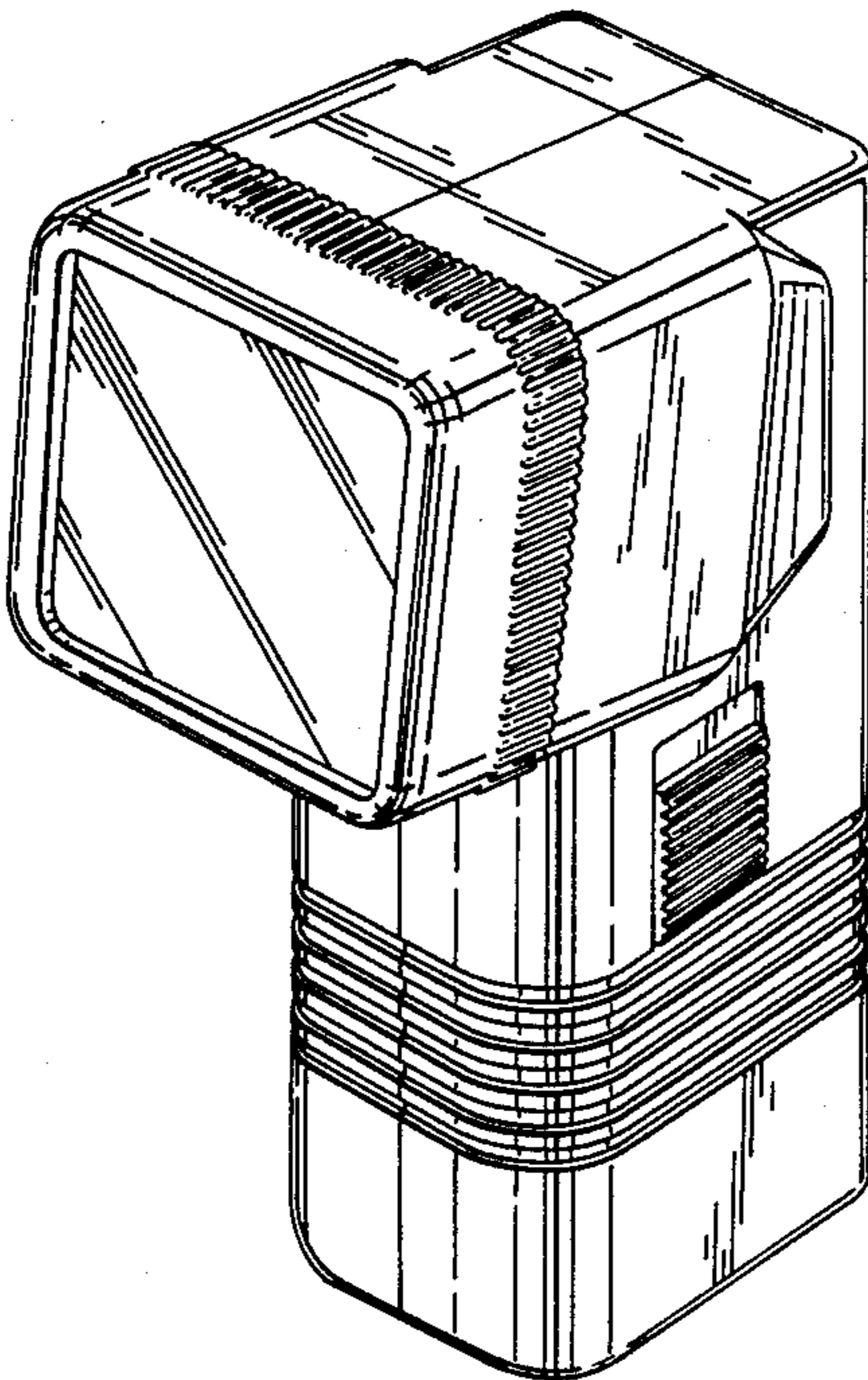
Primary Examiner—Susan J. Lucas
 Attorney, Agent, or Firm—Woodard, Emhardt,
 Naughton Moriarty & McNett

[57] CLAIM

The ornamental design for a torch, as shown and described.

DESCRIPTION

FIG. 1 is a top, front perspective view of a torch showing my new design;
 FIG. 2 is a bottom, rear perspective view thereof;
 FIG. 3 is a side elevational view thereof on an enlarged scale;
 FIG. 4 is a front elevational view thereof on an enlarged scale.



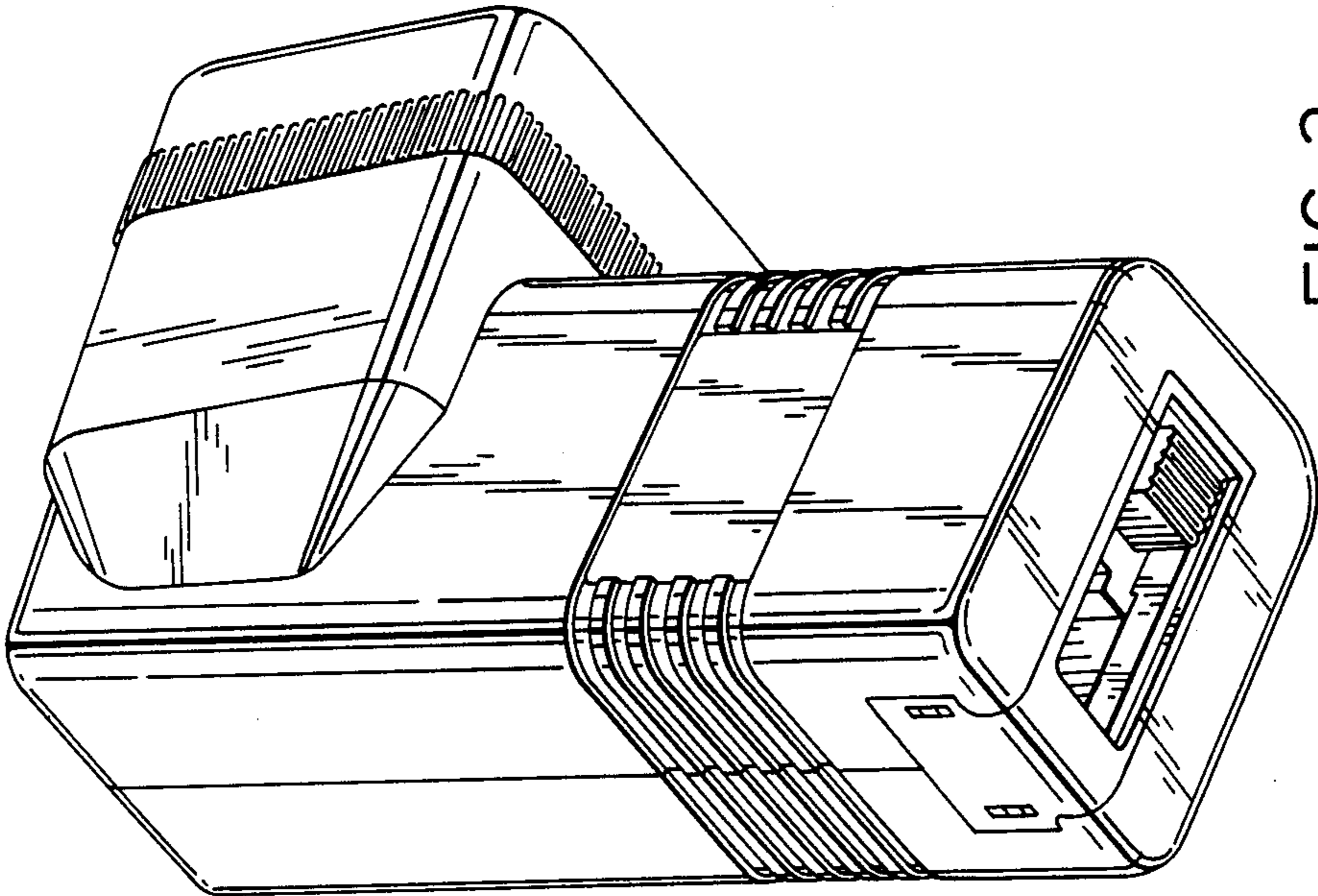


FIG. 2

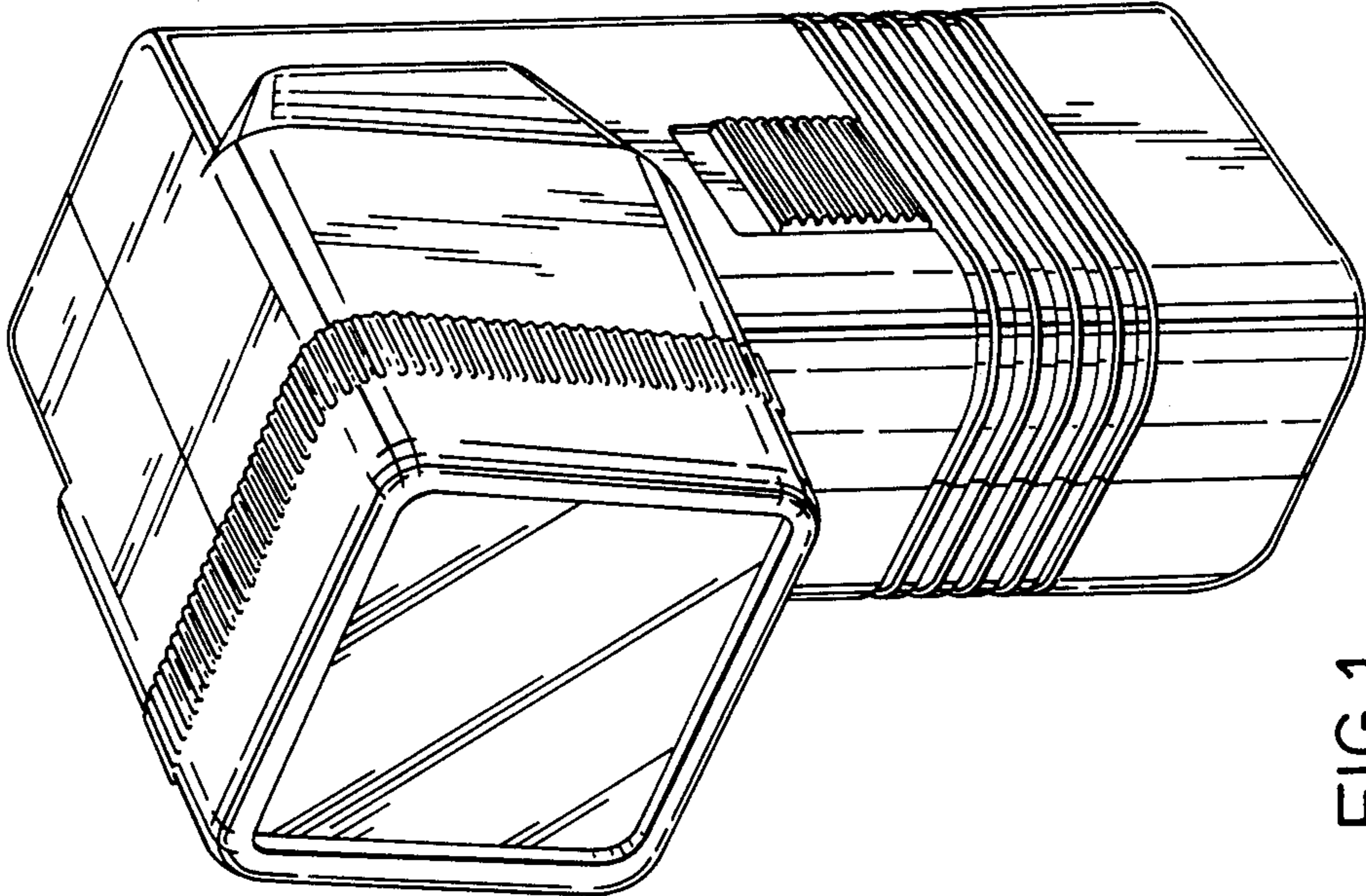


FIG. 1

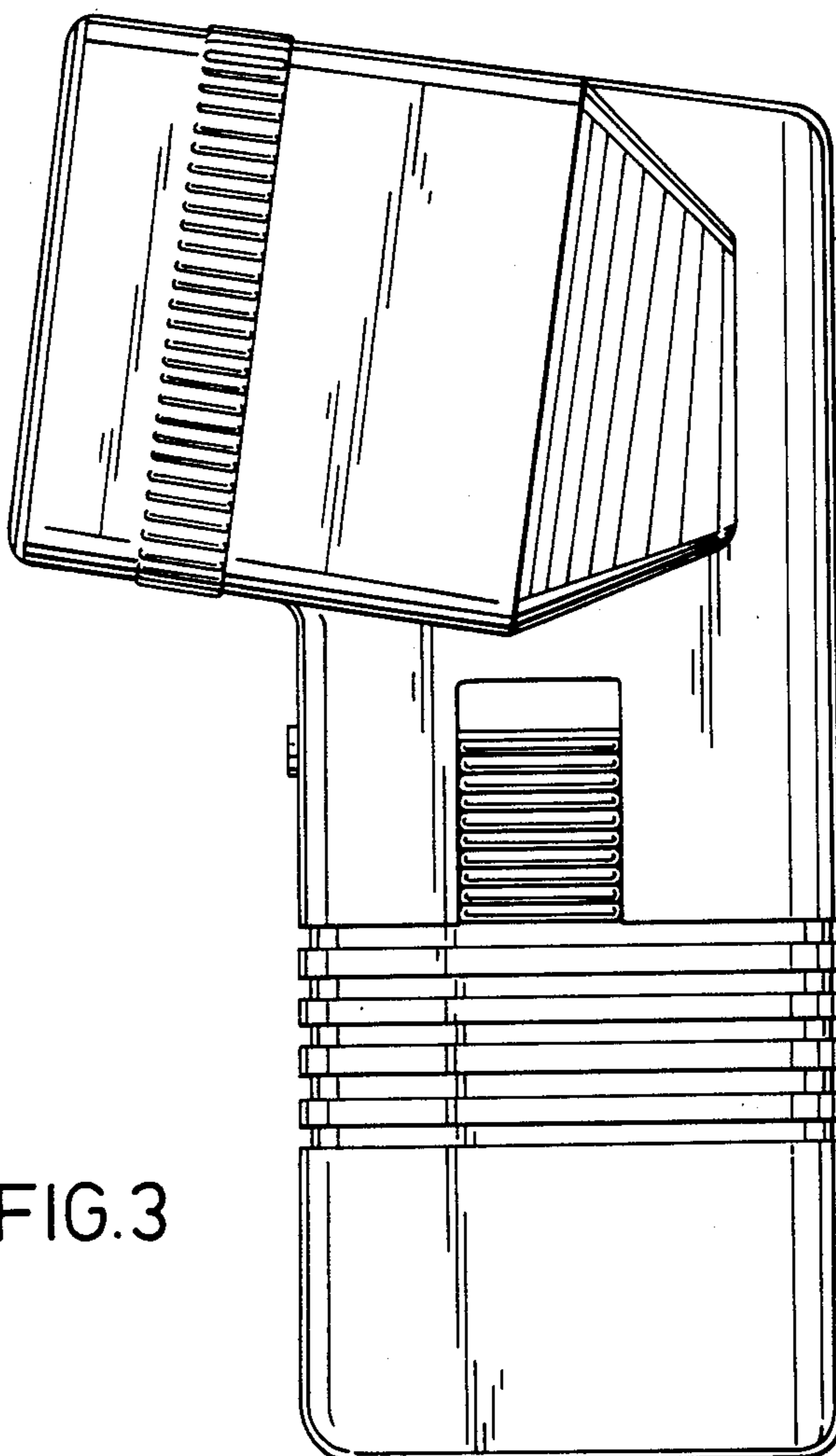


FIG.3

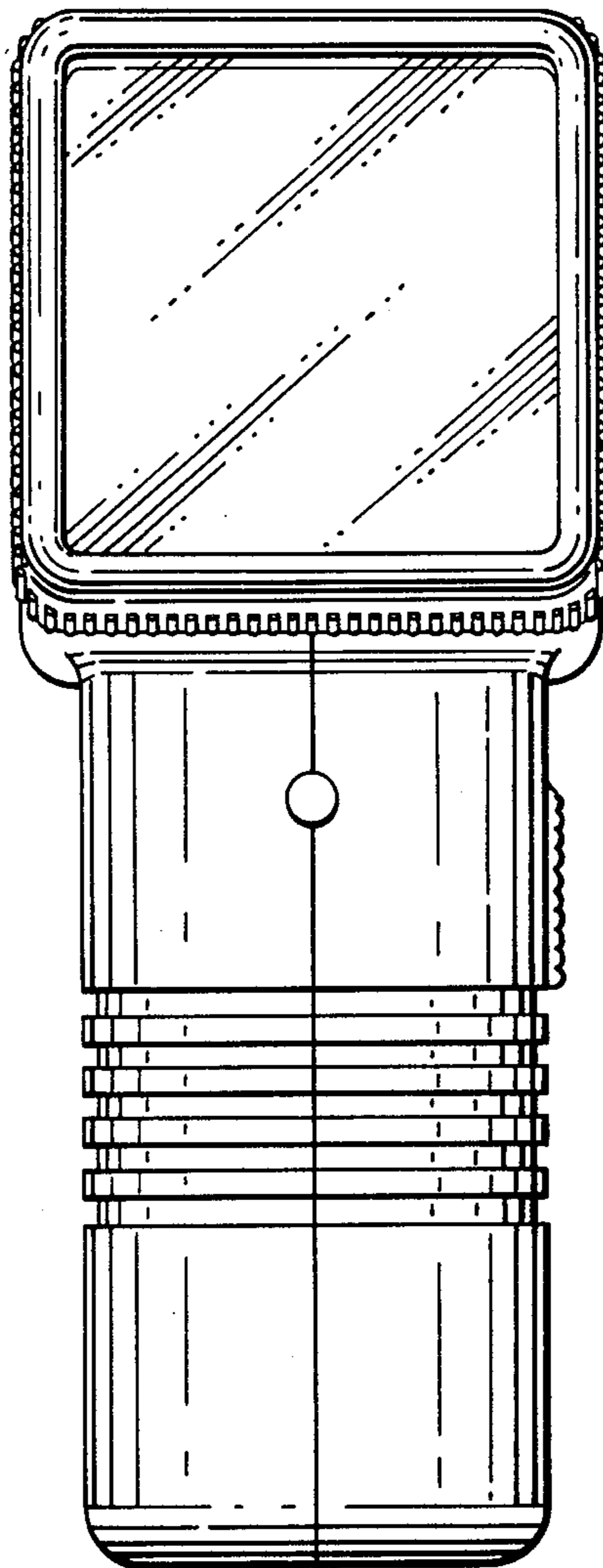


FIG.4