

[54] DIRECT DELIVERY UNIT FOR APPLICATION OF DENTAL MATERIALS OR THE LIKE

[75] Inventors: William J. Blatherwick, Hamilton Square; Leslie Hamilton, Trenton; Robert D. Holewinski, Lakehurst; Virginia A. Shen, East Brunswick, all of N.J.; Jeffrey Kapec, Westport; Kazuna Tanaka, Cos Cob, both of Conn.

[73] Assignee: Johnson & Johnson Consumer Products, Inc., New Brunswick, N.J.

[**] Term: 14 Years

[21] Appl. No.: 869,051

[22] Filed: May 30, 1986

[52] U.S. Cl. D24/10

[58] Field of Search D24/10-16; 433/36-37, 80-81, 87, 89-90

[56] References Cited

U.S. PATENT DOCUMENTS

- D. 200,104 1/1965 Cocherell et al. D24/14
- D. 242,044 10/1976 Perfect D24/10
- 4,273,534 6/1981 Seid 433/90

Primary Examiner—Wallace R. Burke

Assistant Examiner—Brian N. Vinson

[57] CLAIM

The ornamental design for a direct delivery unit for application of dental materials or the like, as shown and described.

DESCRIPTION

FIG. 1 is a perspective view of a direct delivery unit for application of dental materials or the like showing our new design;

FIG. 2 is a front end elevational view thereof;

FIG. 3 is a rear end elevational view thereof;

FIG. 4 is a top plan view thereof;

FIG. 5 is a right side elevational view thereof, the left side being a mirror image;

FIG. 6 is a bottom plan view thereof; and,

FIG. 7 is a perspective view thereof, with the broken-line showing of the unit dose cartridge being for illustrative purposes only and forming no part of the claimed design.

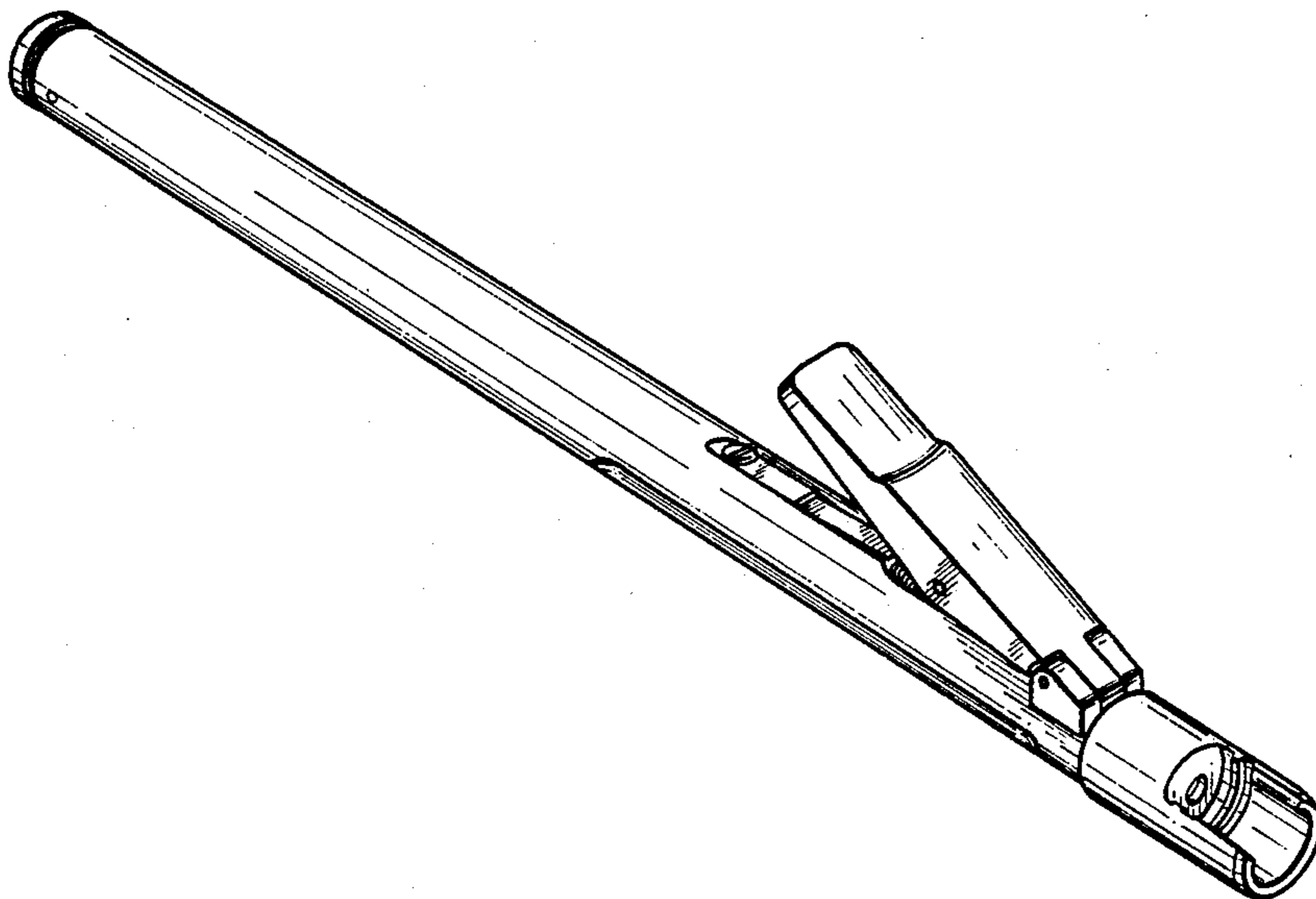


FIG-1

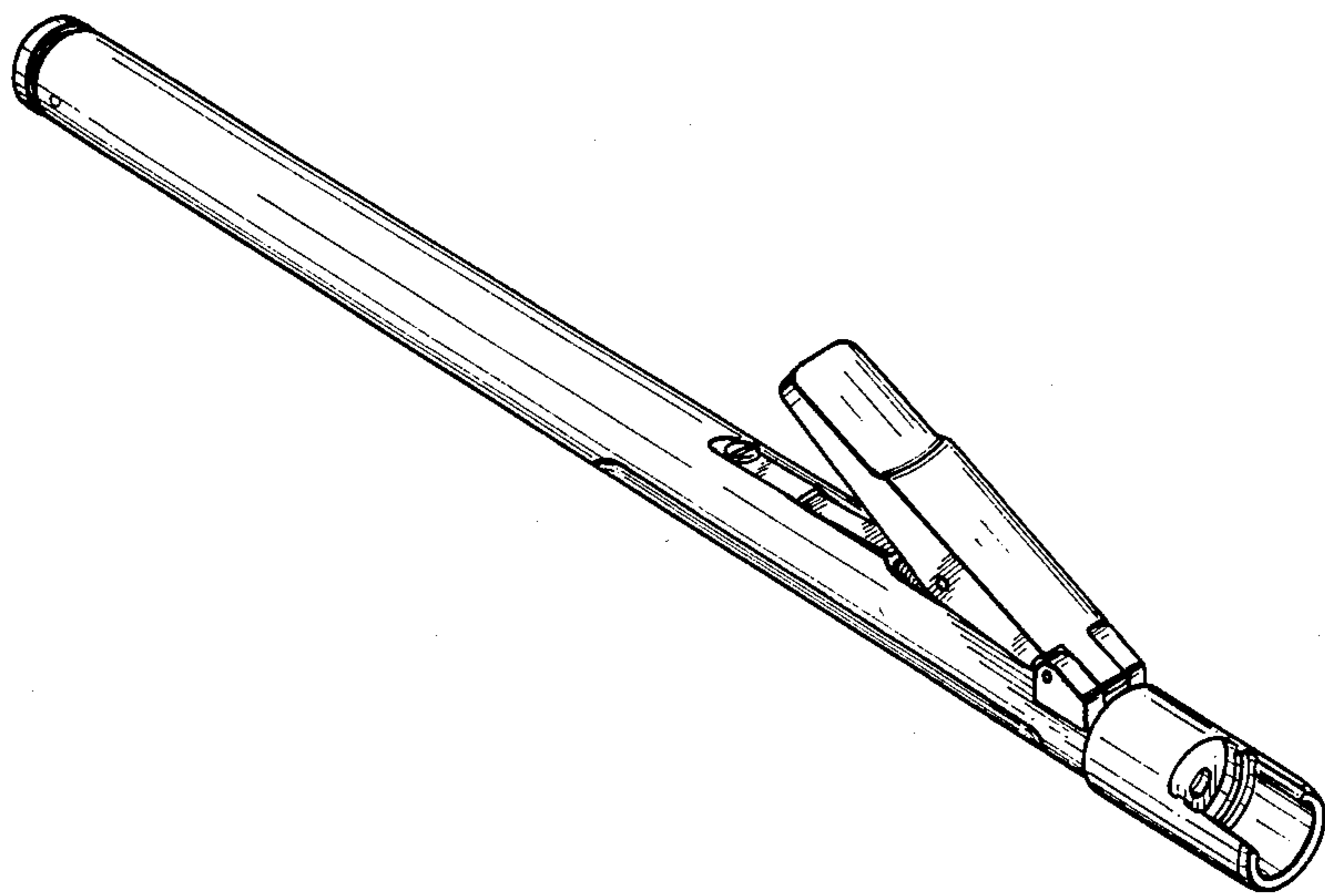


FIG-2

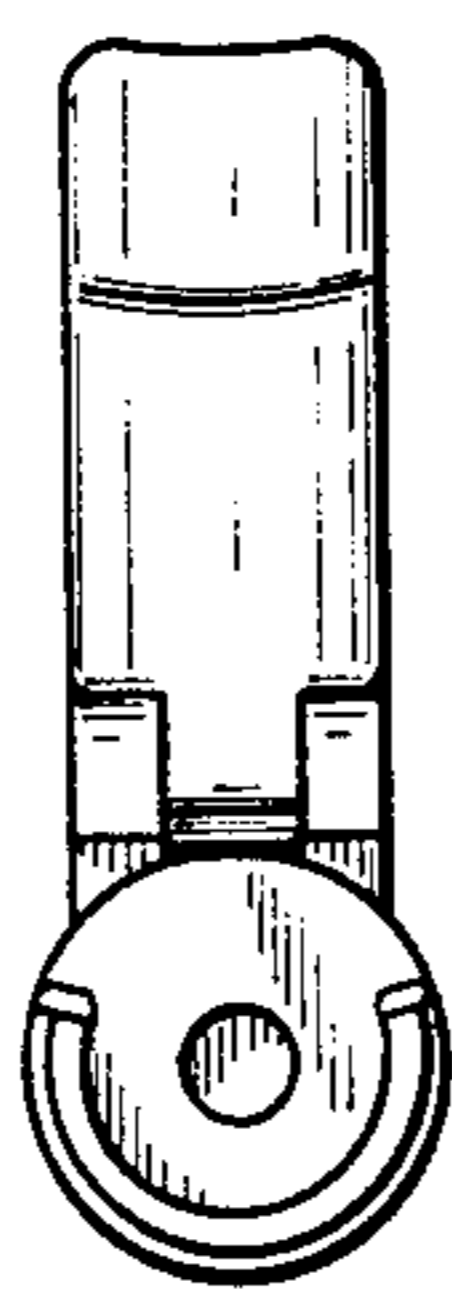


FIG-3

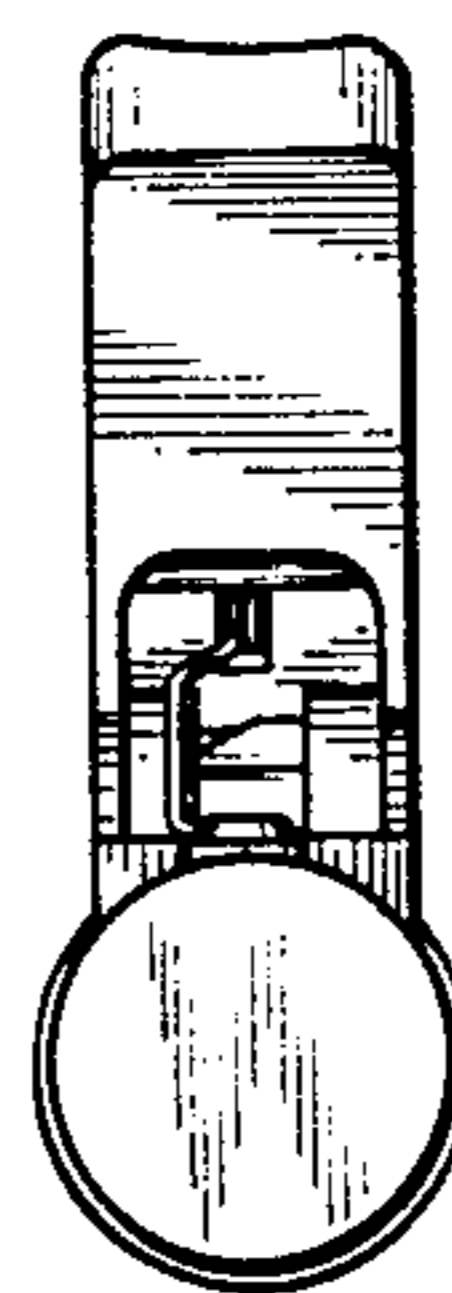




FIG-4

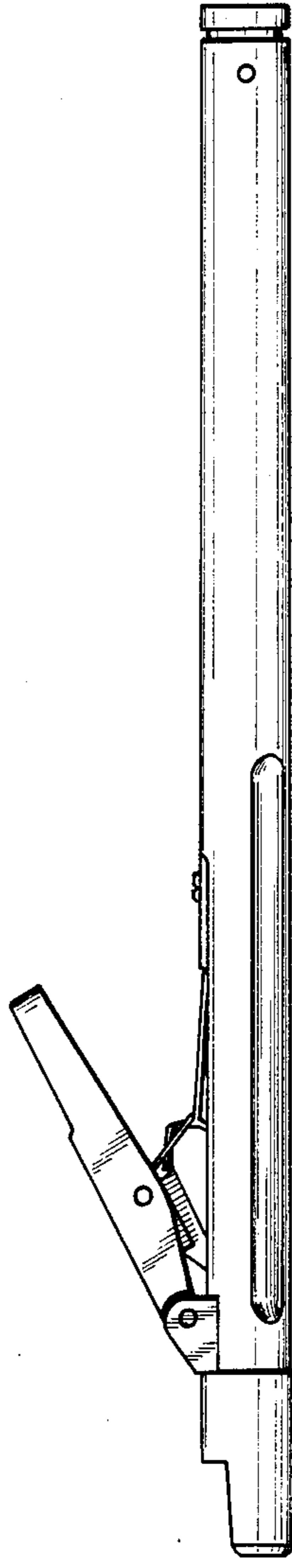


FIG-5



FIG-6

FIG-7

