

[54] HOUSEPLANT SHOWERING UNIT

[76] Inventor: Steven J. Laycock, Rt. 1, Box 168A, Pleasant Hill, Mo. 64080

[\*\*] Term: 14 Years

[21] Appl. No.: 888,954

[22] Filed: Jul. 24, 1986

[52] U.S. Cl. .... D23/214; D8/1

[58] Field of Search ..... D8/1; 239/273; 47/1 R, 47/1.5, 1.7, 27, 48; D23/214

[56] References Cited

U.S. PATENT DOCUMENTS

- 1,244,576 10/1917 Arnold ..... 47/27
- 3,681,872 8/1972 Leitch ..... 47/1
- 4,051,627 10/1977 Schilling, Jr. .... D8/1 X

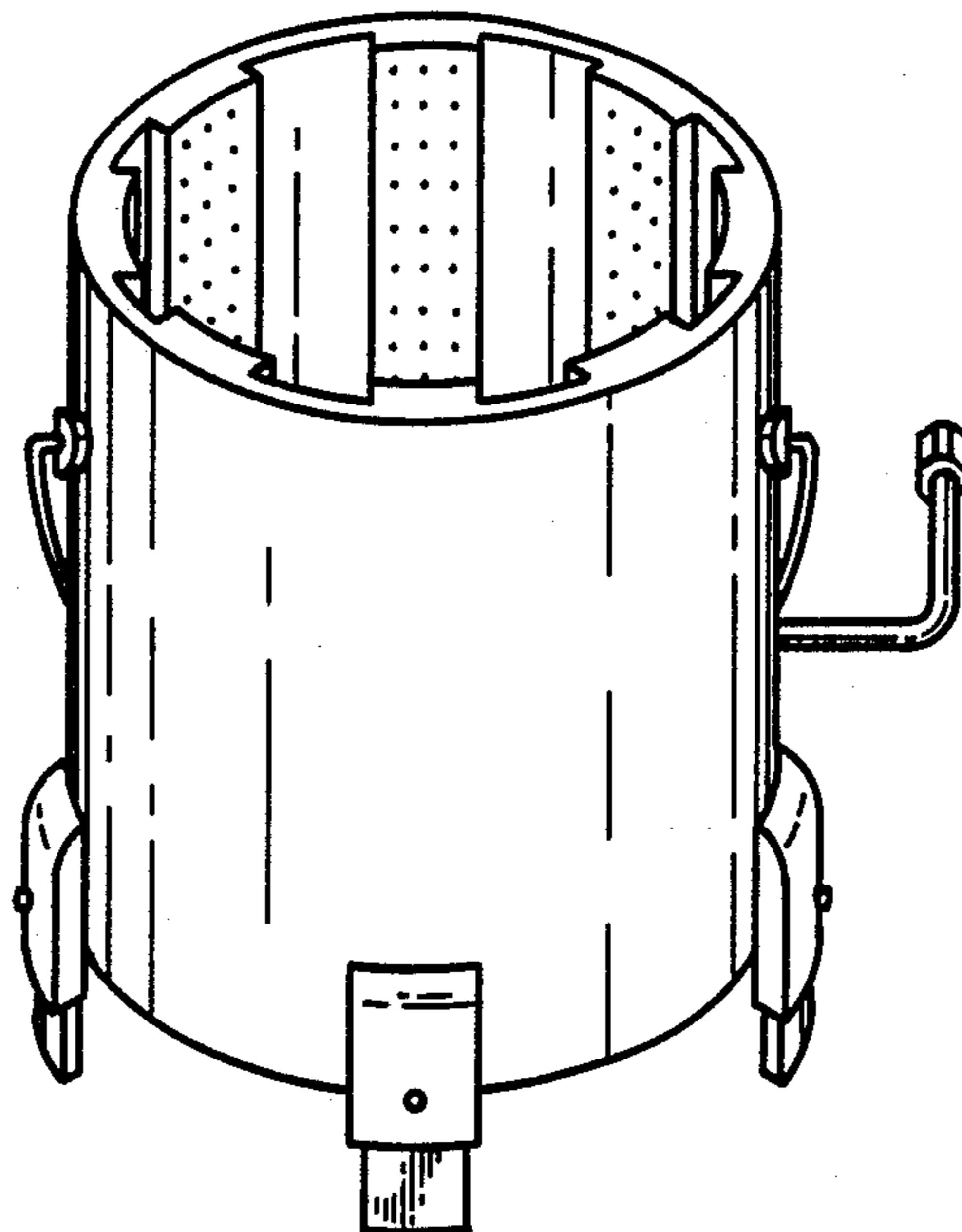
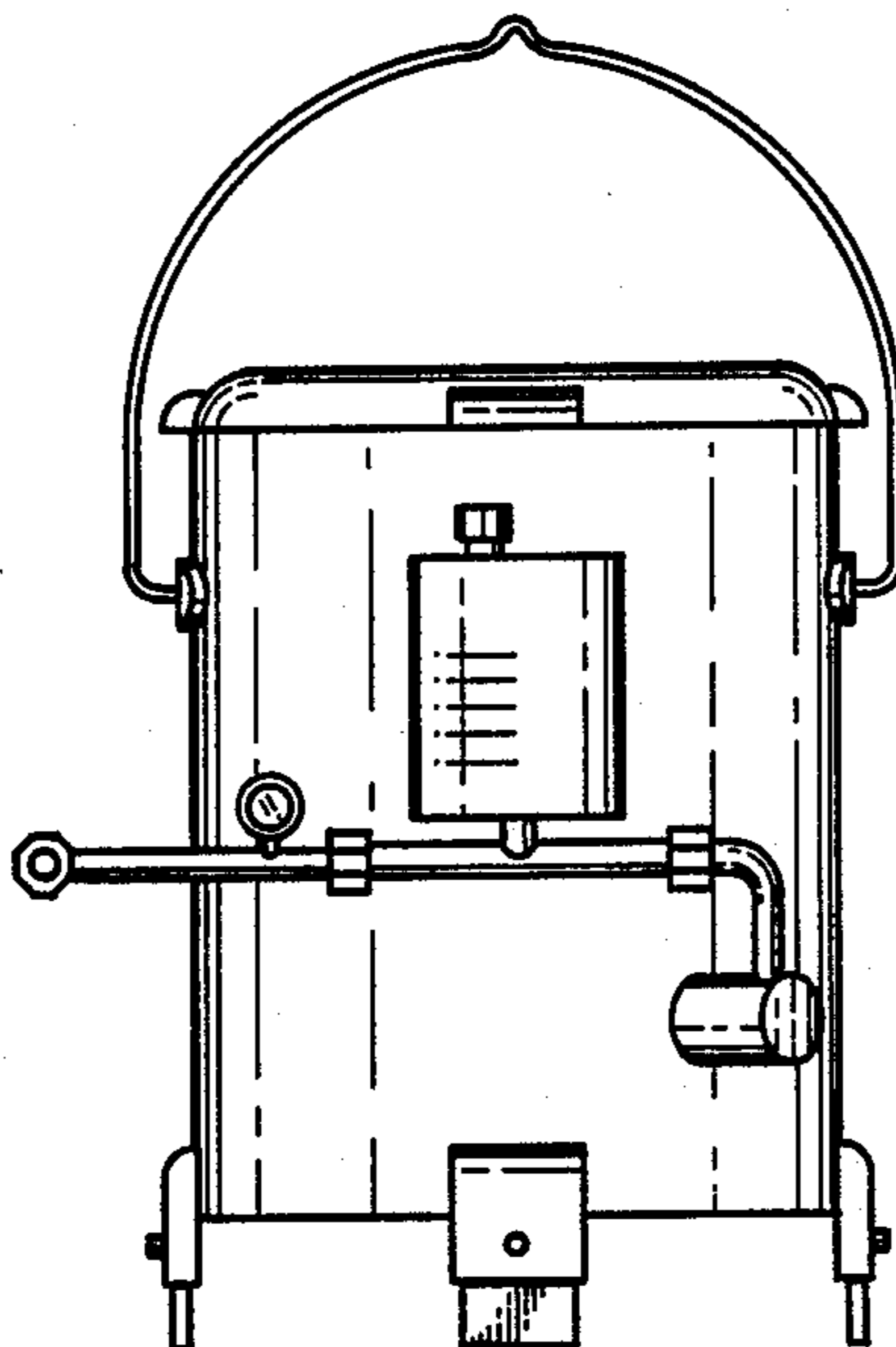
Primary Examiner—Wallace R. Burke  
Assistant Examiner—Brian N. Vinson  
Attorney, Agent, or Firm—Terry M. Gernstein

[57] CLAIM

The ornamental design for a houseplant showering unit, as shown and described.

DESCRIPTION

FIG. 1 is a top plan view of a houseplant showering unit showing my new design;  
FIG. 2 is a front elevational view thereof;  
FIG. 3 is a right side elevational view thereof;  
FIG. 4 is a left side elevational view thereof; and  
FIG. 5 is a top, rear perspective view thereof, with the lid portion removed and carrying handle rotated downward.



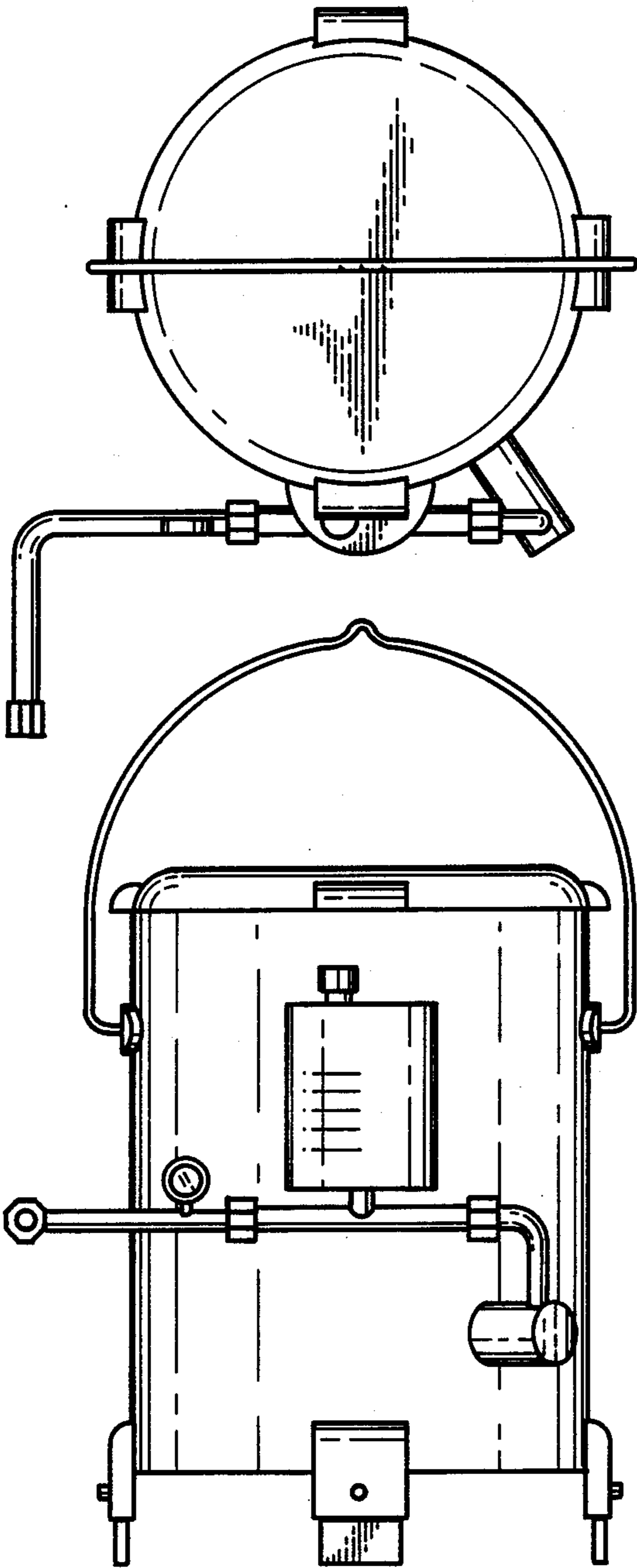


Fig. 1

Fig. 2

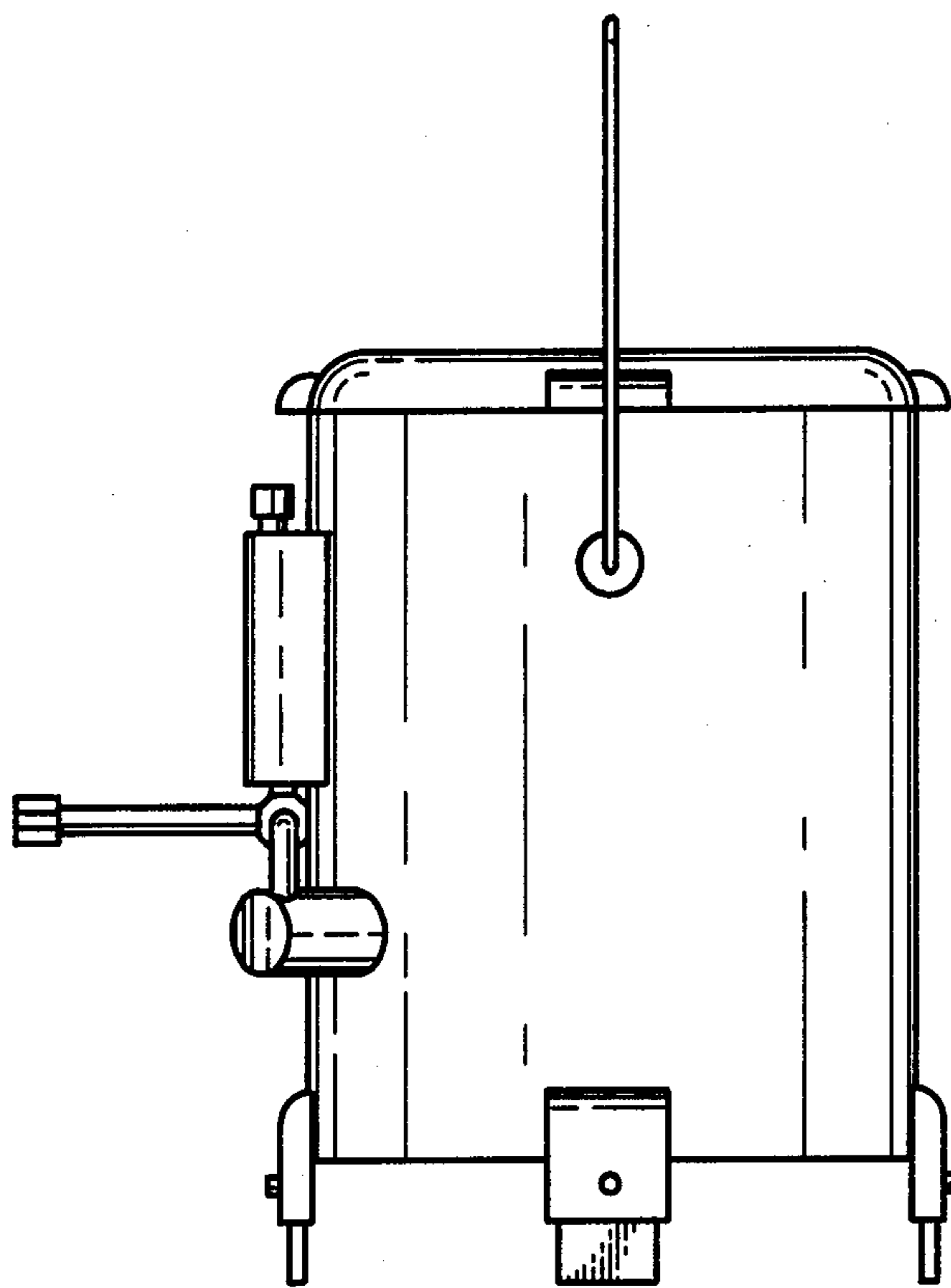


Fig. 3

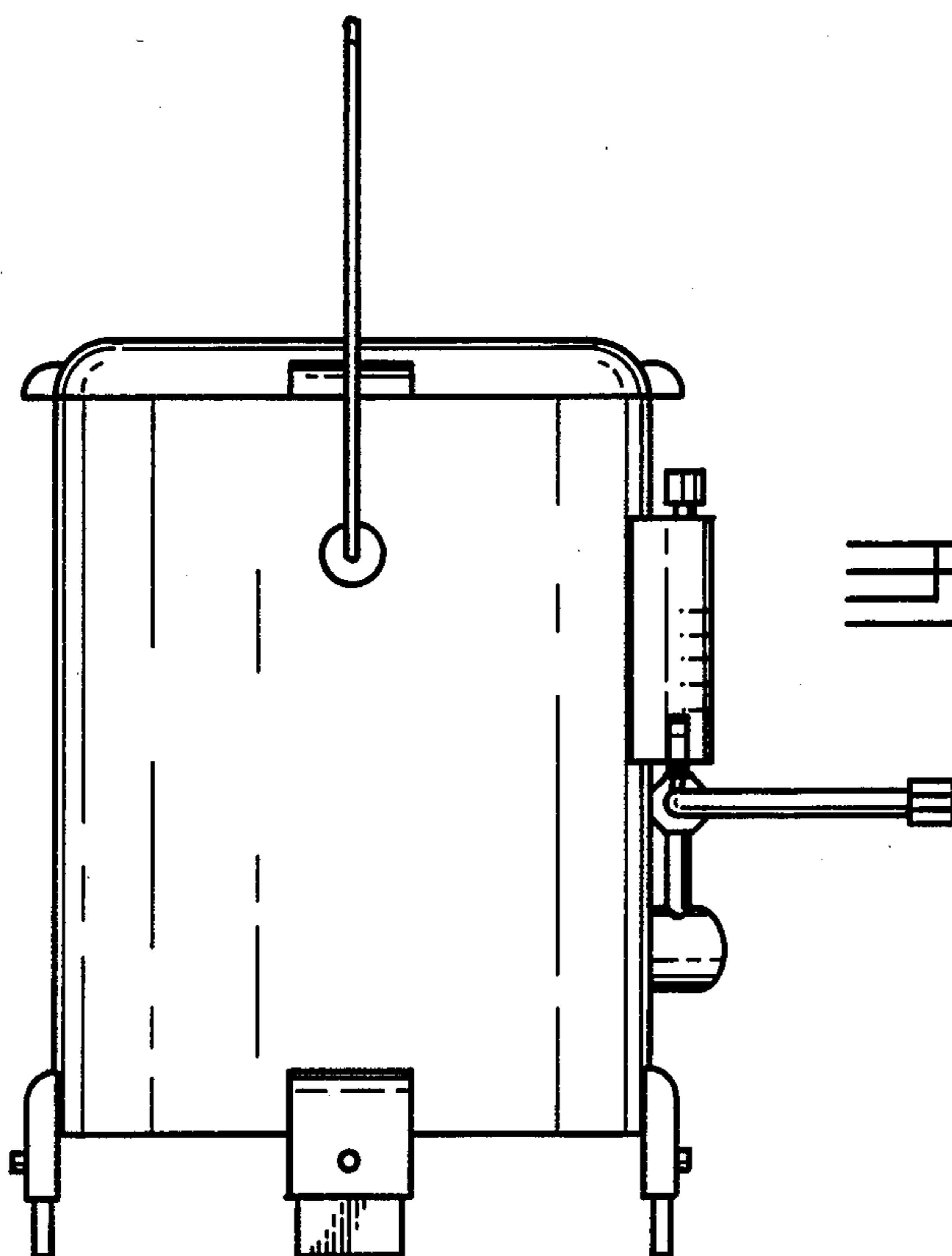


Fig. 4

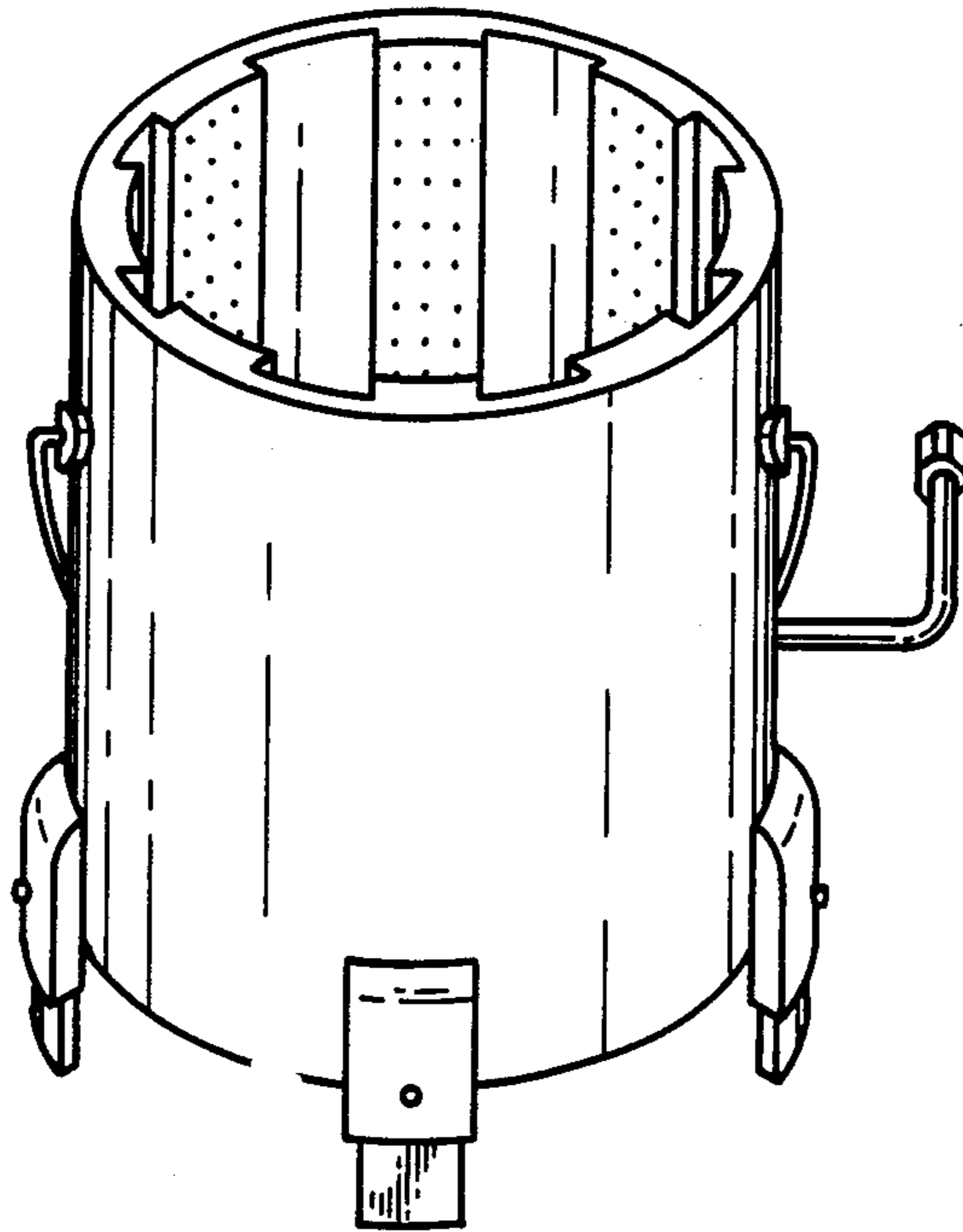


Fig. 5