

[54] **MOUSE-TRAP**

[76] **Inventor: Göte E. Y. Holmberg, P1 2010, Anderstorp 5-334 00, Sweden**

[\*\*] **Term: 14 Years**

[21] **Appl. No.: 804,127**

[22] **Filed: Nov. 5, 1985**

[30] **Foreign Application Priority Data**

Sep. 9, 1985 [SE] Sweden ..... 85-2089

[52] **U.S. Cl. .... D22/119**

[58] **Field of Search ..... D22/119; 43/81, 81.5, 43/82, 83, 83.5**

[56] **References Cited**

**U.S. PATENT DOCUMENTS**

D. 275,511 9/1984 Nagel ..... D22/119

4,360,986 11/1982 Dushey ..... D22/119 X

*Primary Examiner*—A. Hugo Word

*Attorney, Agent, or Firm*—Berman, Aisenberg & Platt

[57] **CLAIM**

The ornamental design for a mouse-trap, as shown.

**DESCRIPTION**

FIG. 1 is a side elevational view of a mouse trap in loaded position, showing my new design;

FIG. 2 is a top view of my new design in a loaded position,

FIG. 3 is a bottom view of my new design,

FIG. 4 is a perspective view from below of my new design in a loaded position,

FIG. 5 is a perspective view from above of my new design in an unloaded position,

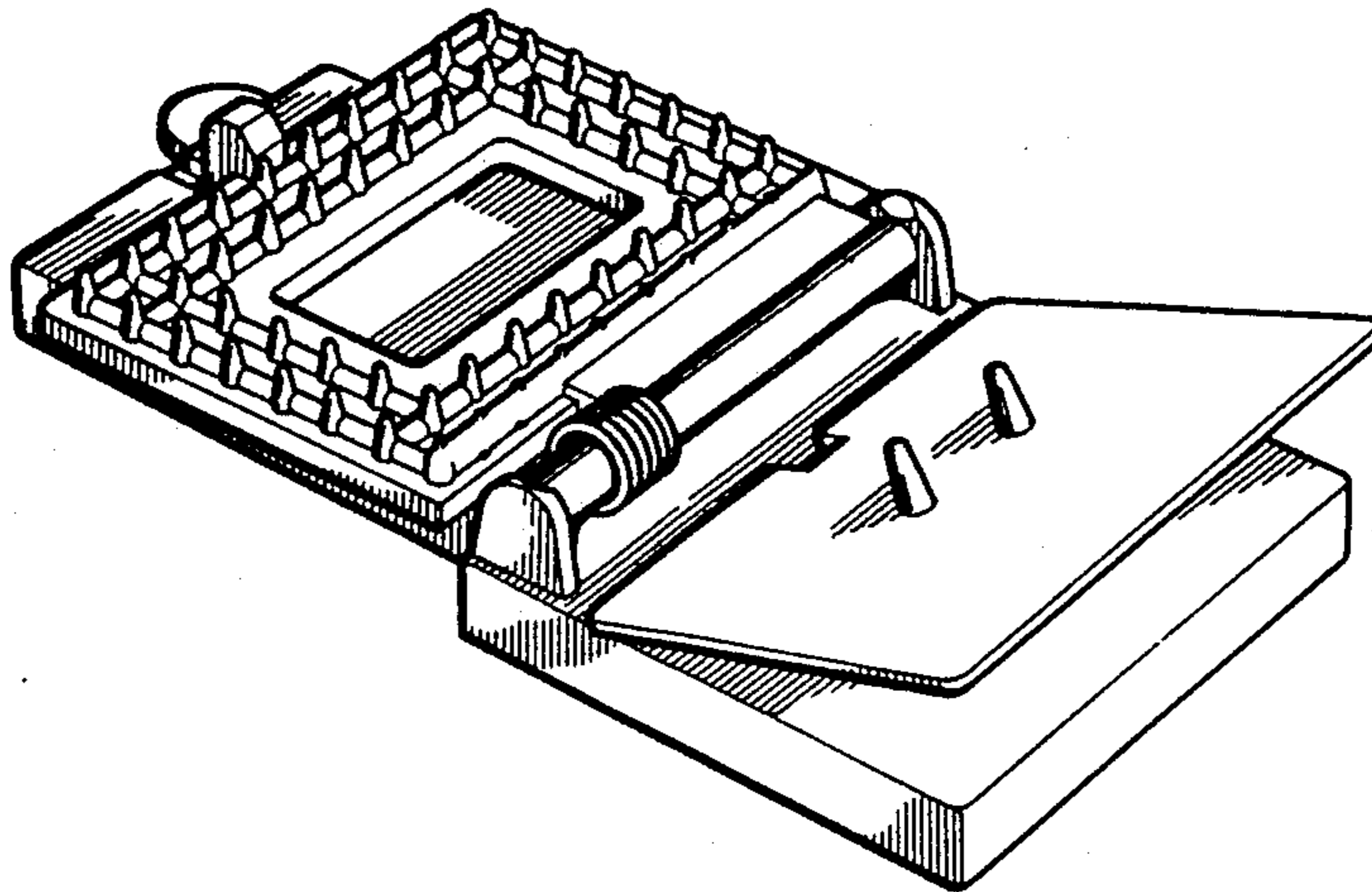
FIG. 6 is a perspective view from below of my new design in an unloaded position,

FIG. 7 is a front view of my new design in a loaded position,

FIG. 8 is a side view of my new design from the other side thereof in a loaded position,

FIG. 9 is a rear view of my design in a loaded position and

FIG. 10 is a perspective view from above of my new design in a loaded position.



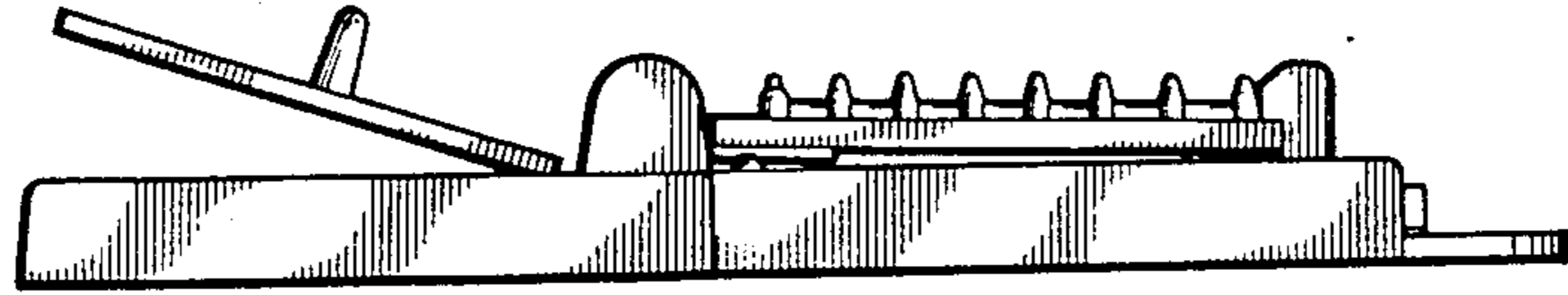


FIGURE 1

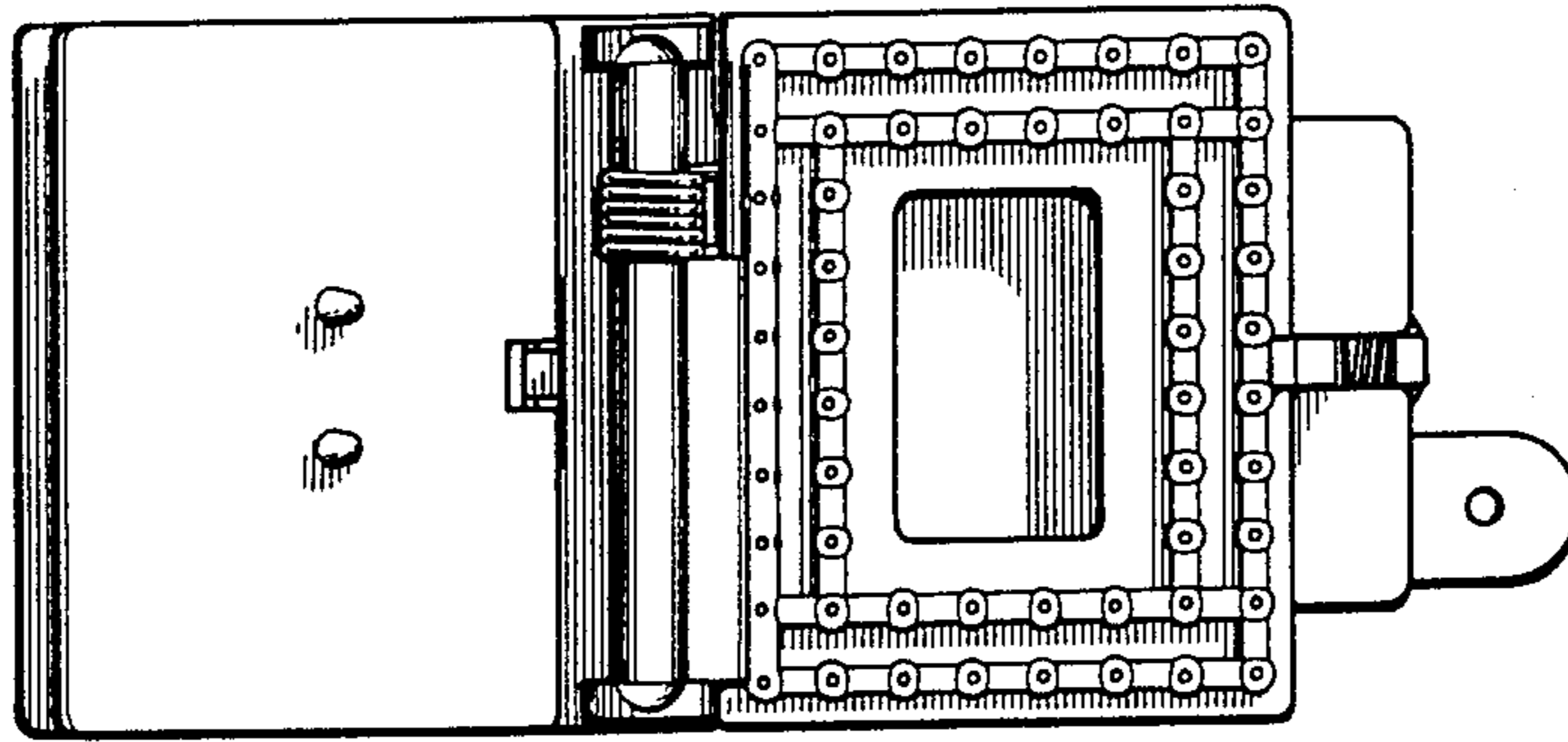


FIGURE 2

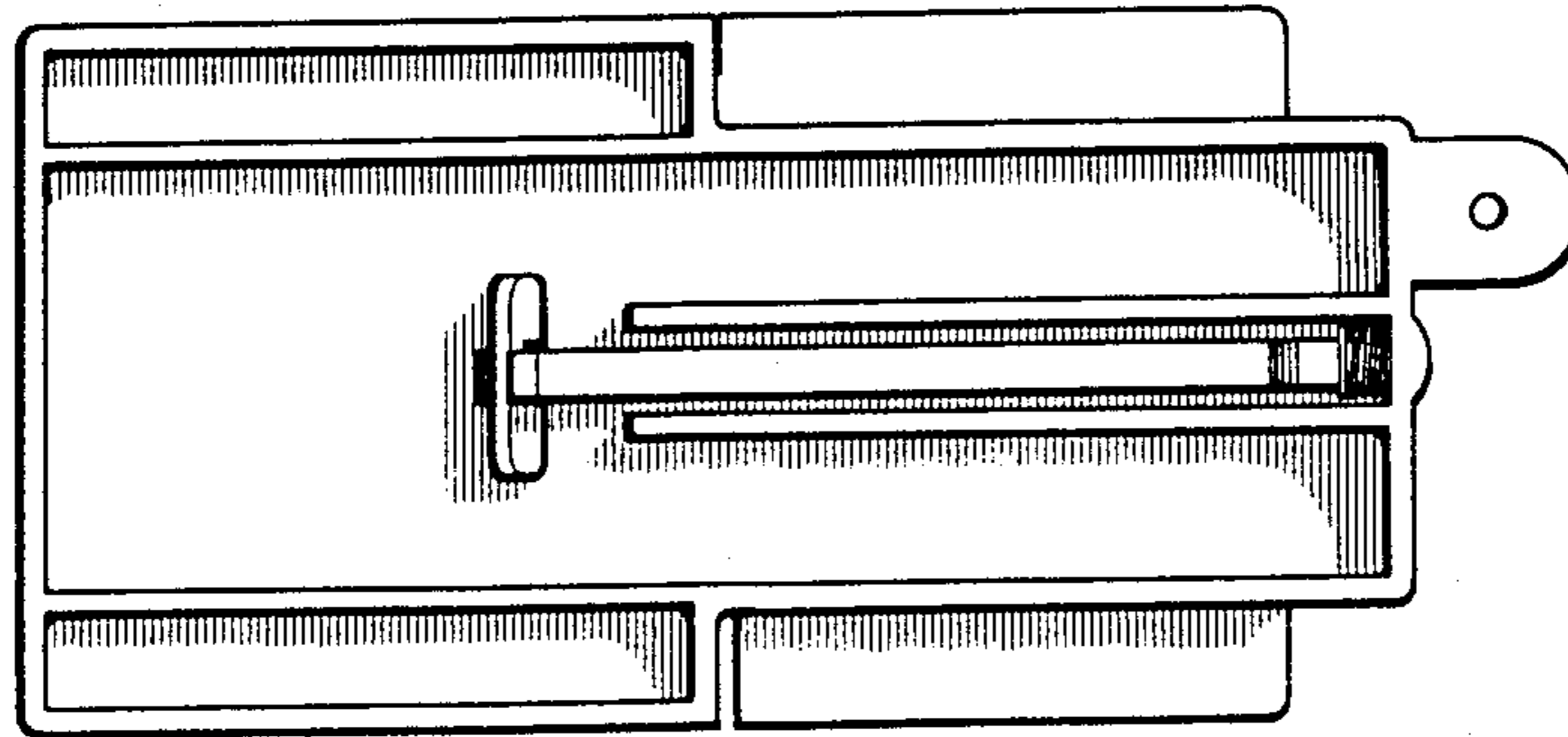


FIGURE 3

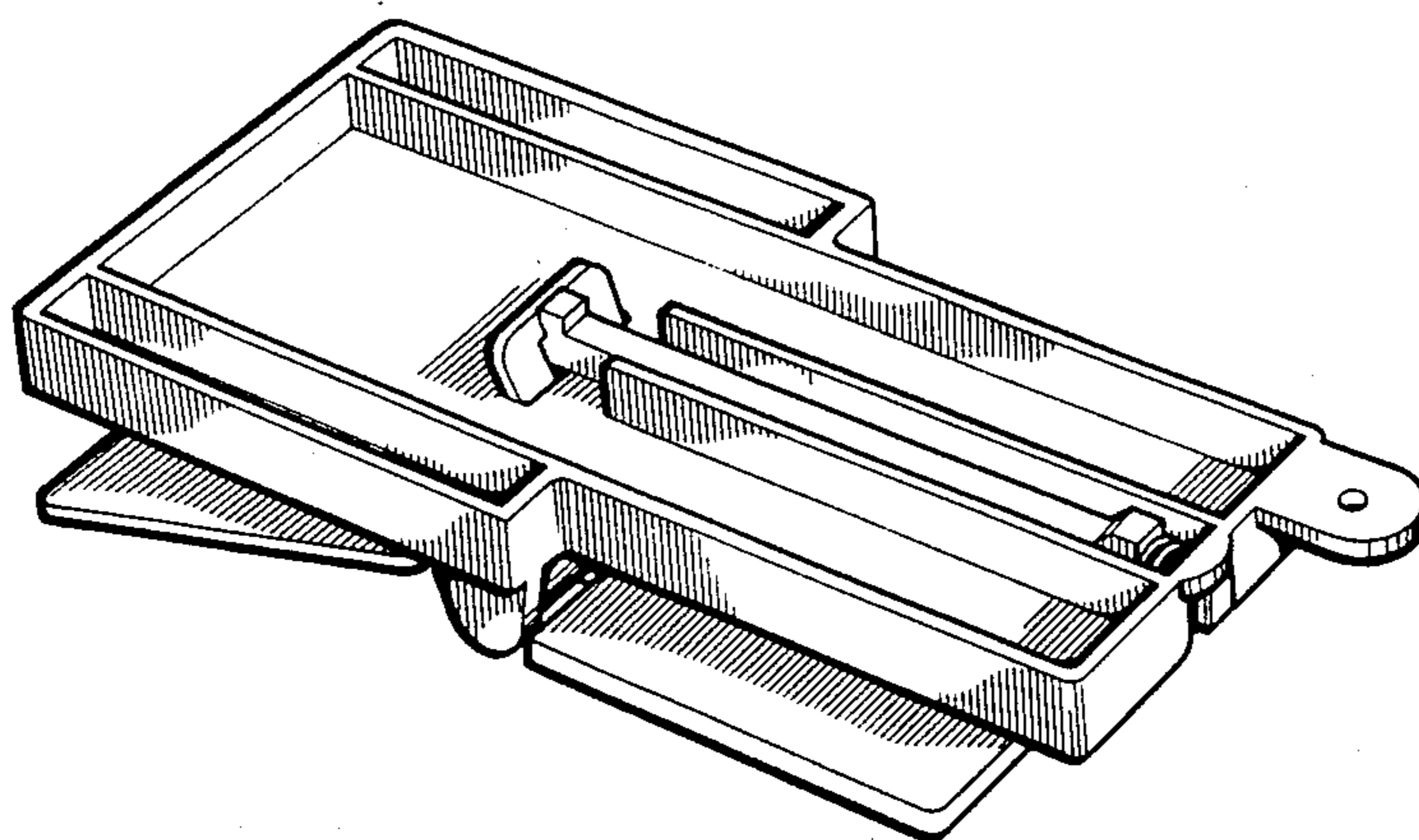


FIGURE 4

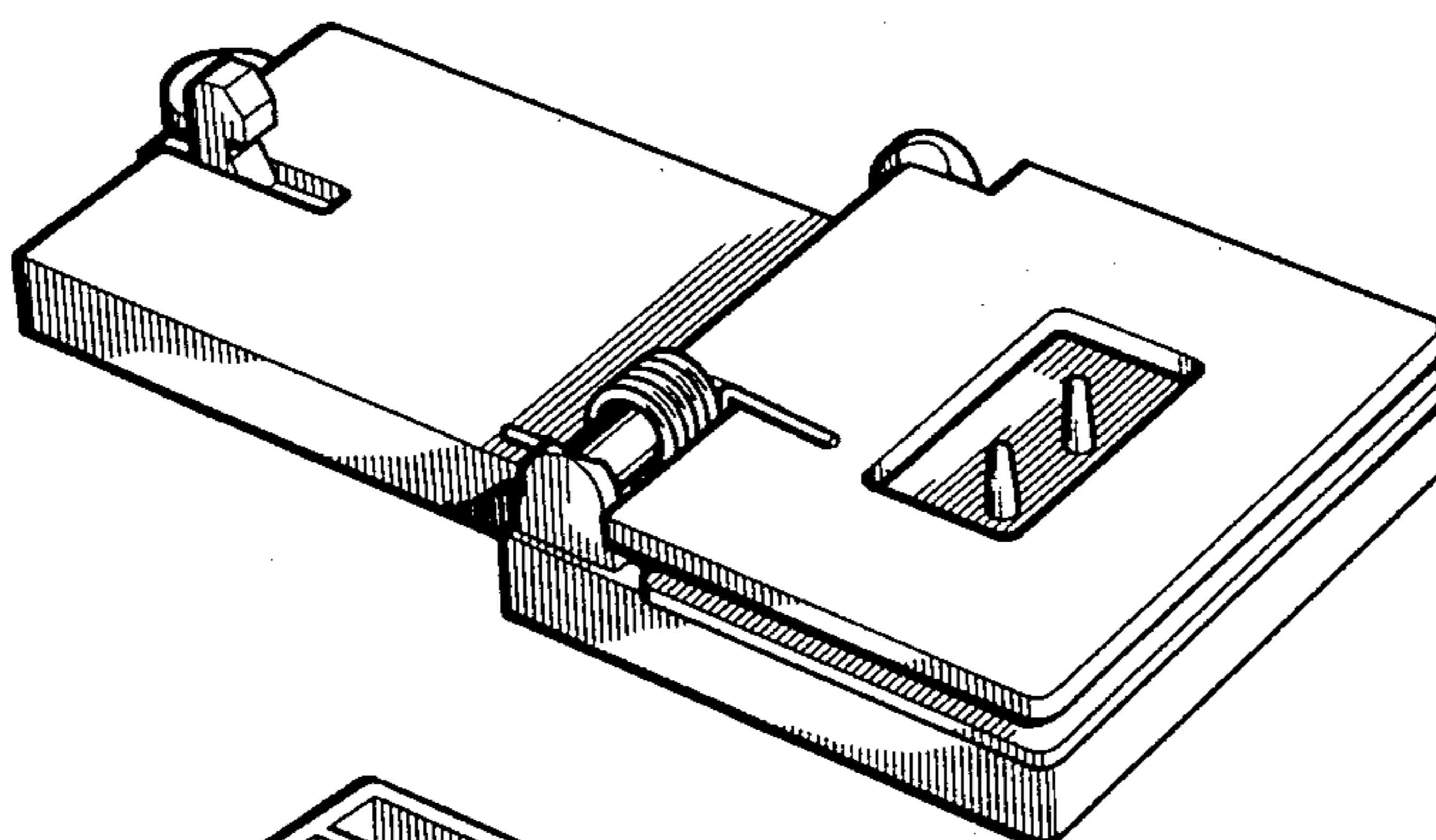


FIGURE 5

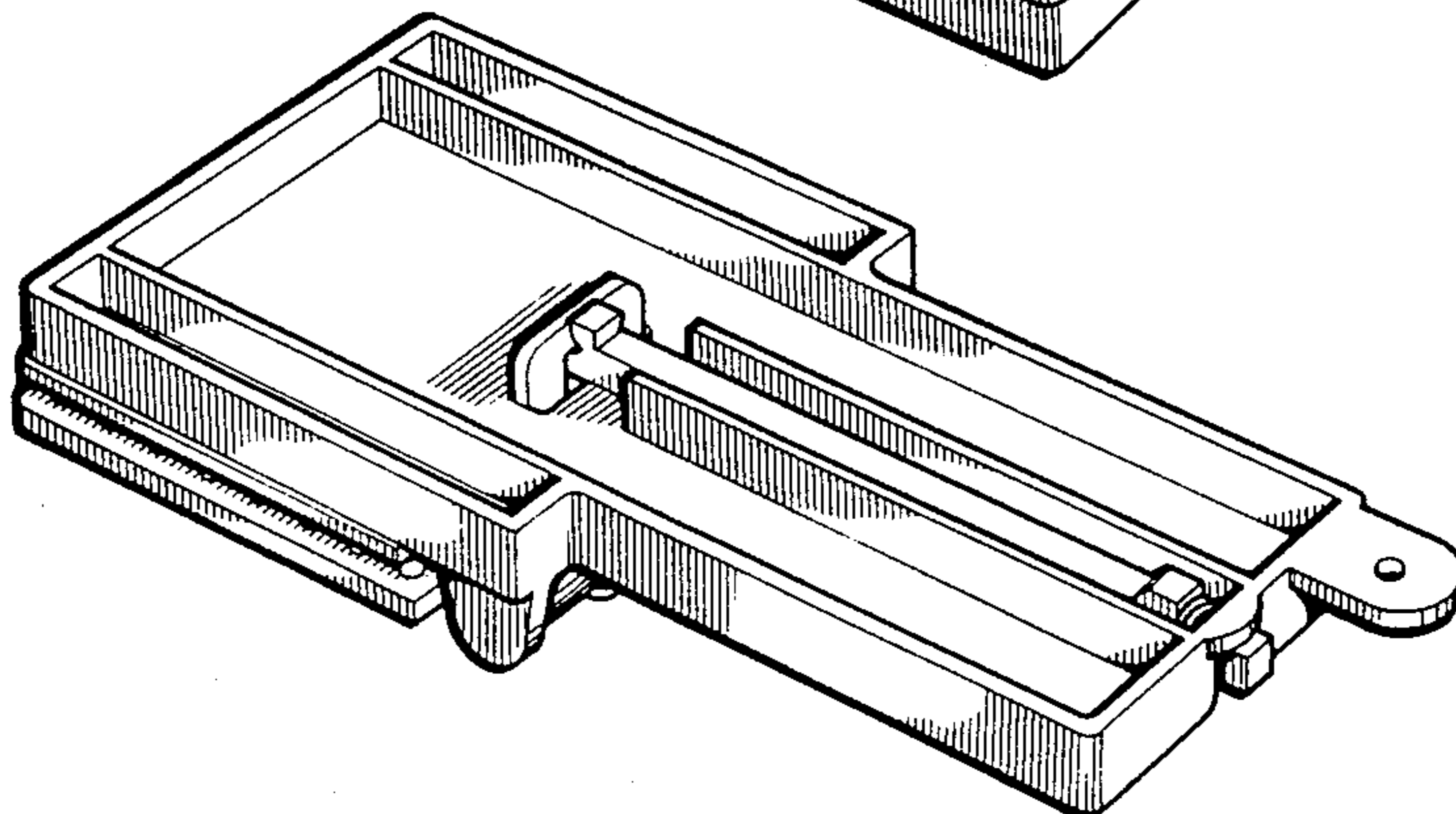


FIGURE 6

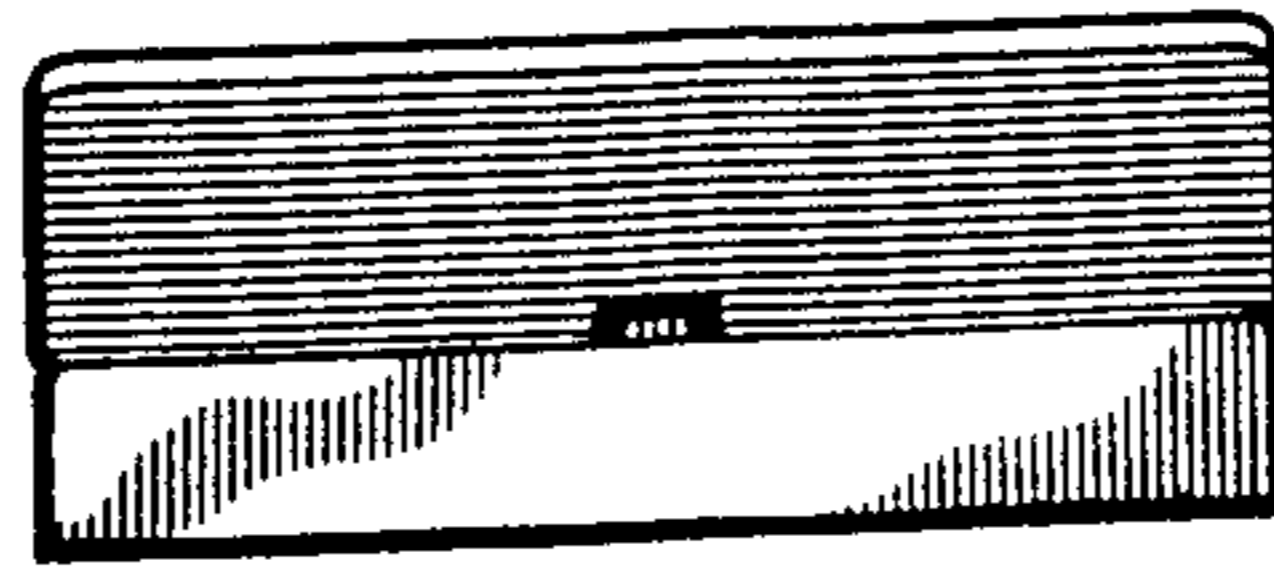


FIGURE 7

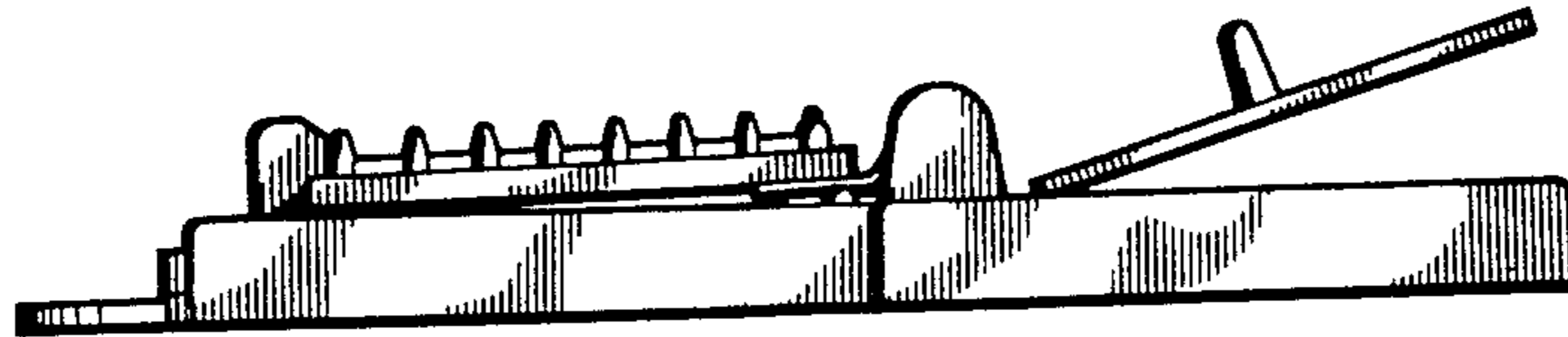


FIGURE 8

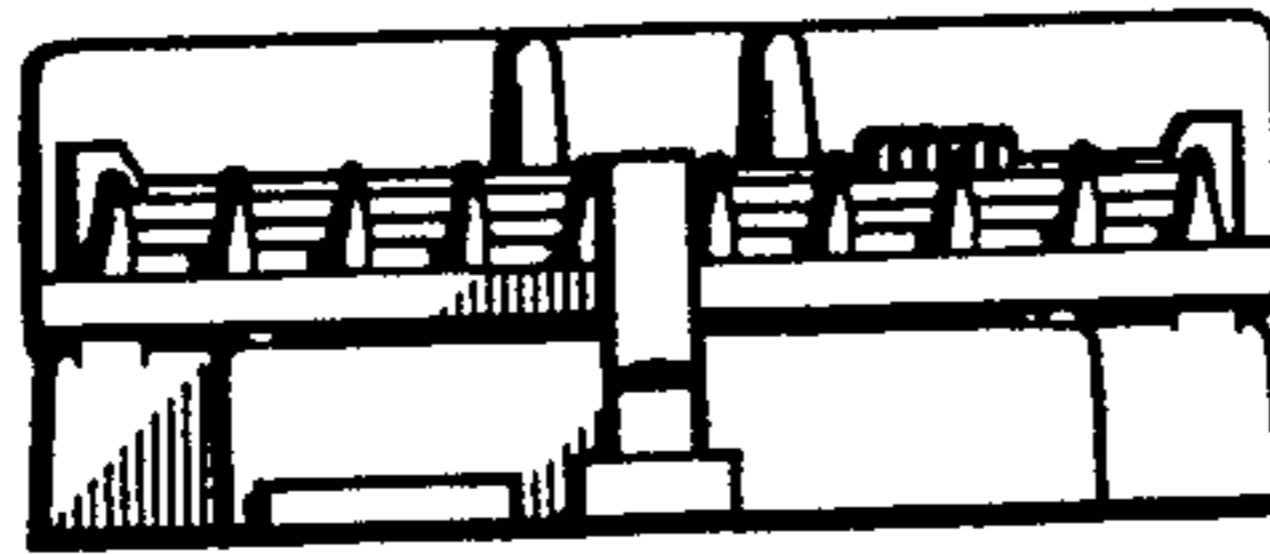


FIGURE 9

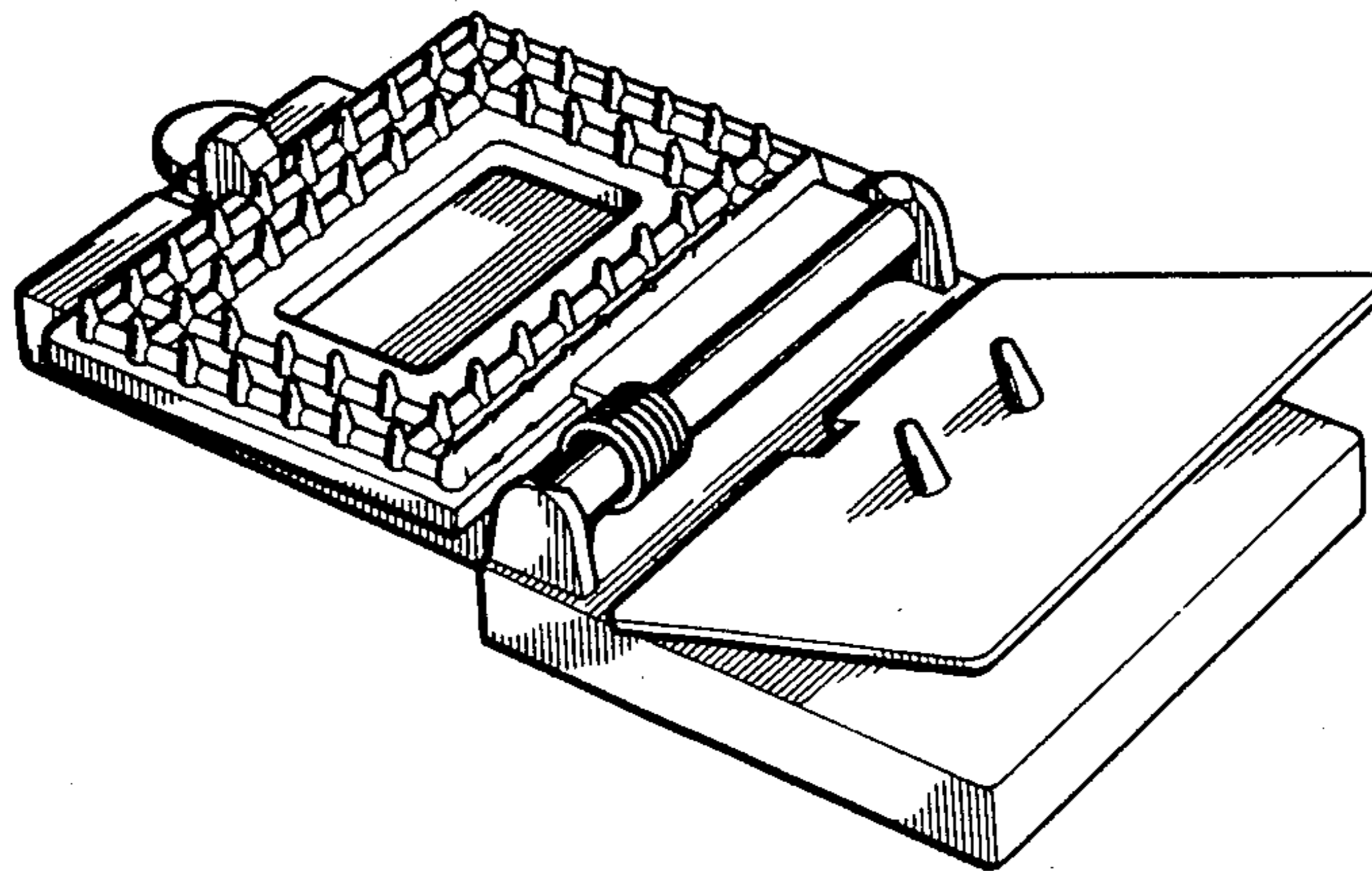


FIGURE 10