

[54] **SINGLE SHOT PISTOL**

[56] **References Cited**

[76] **Inventor: T. Keith DeHart, 7906 Bintliff, Houston, Tex. 77074**

**U.S. PATENT DOCUMENTS**

D. 274,926 7/1984 Giragosian ..... D22/104

[\*\*] **Term: 14 Years**

*Primary Examiner—A. Hugo Word  
Attorney, Agent, or Firm—Darryl M. Springs*

[21] **Appl. No.: 769,569**

[57] **CLAIM**

The ornamental design for a single shot pistol, as shown and described.

[22] **Filed: Aug. 26, 1985**

**DESCRIPTION**

[52] **U.S. Cl. .... D22/104**

FIG. 1 is a perspective view of the pistol.

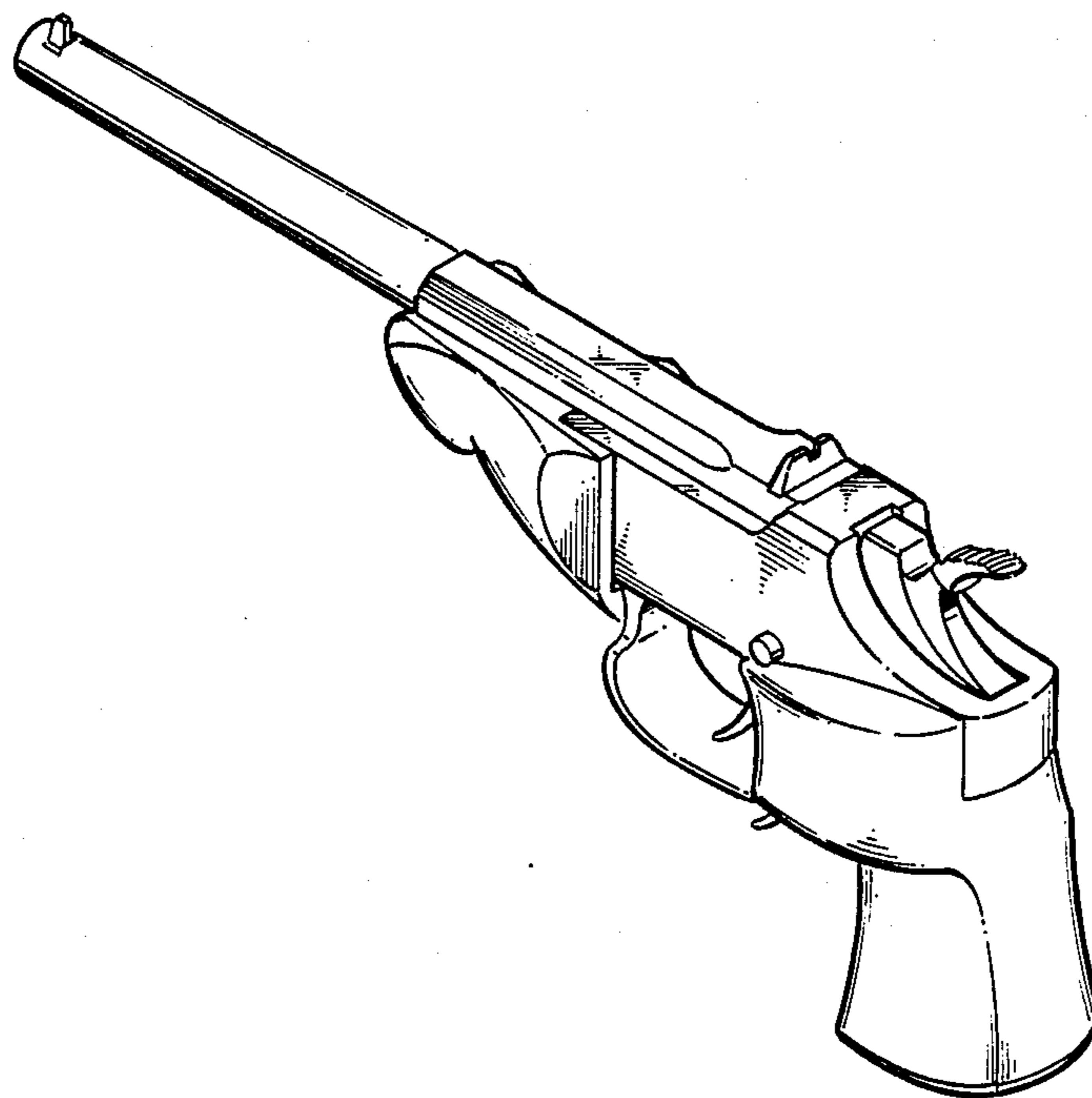
FIG. 2 is a right side elevation view of the pistol.

FIG. 3 is a top view of the pistol.

[58] **Field of Search .... D22/104**

FIG. 4 is a bottom view of the pistol.

FIG. 5 is an end view of the pistol.



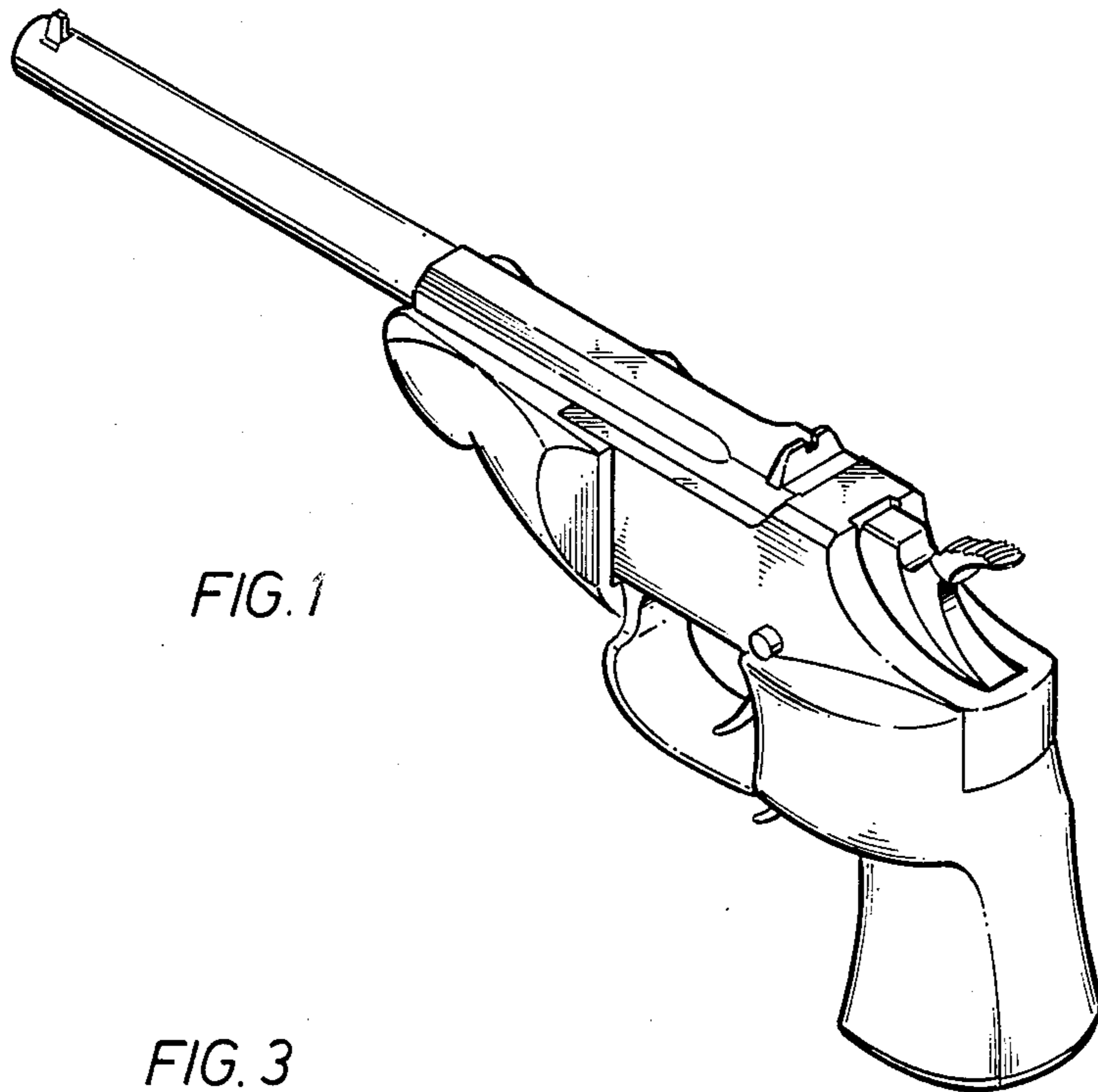


FIG. 1

FIG. 3

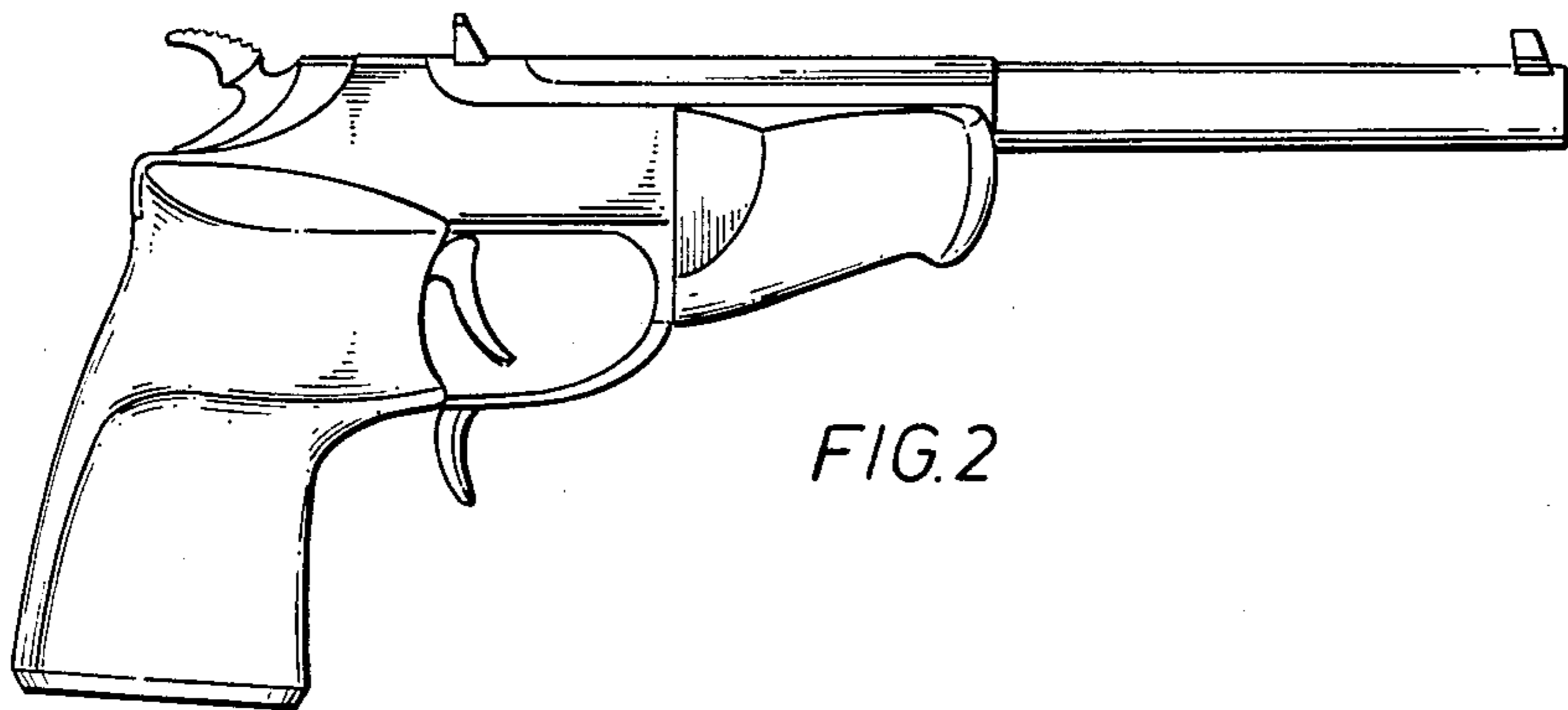
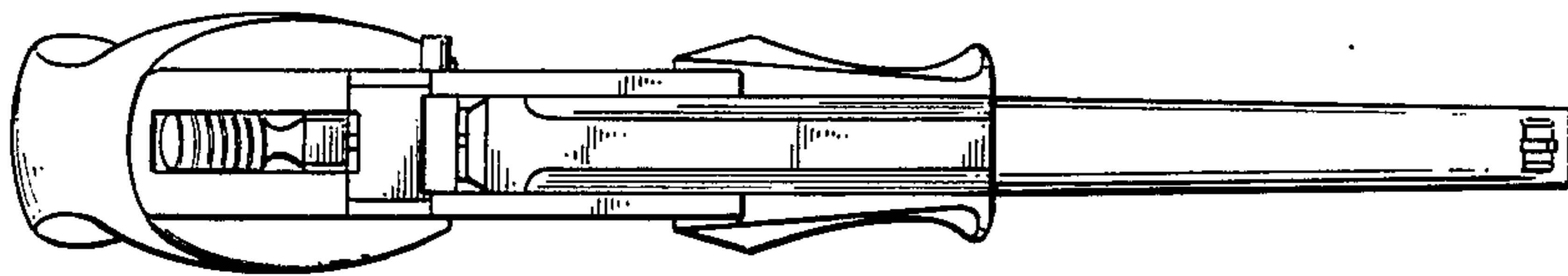


FIG. 2

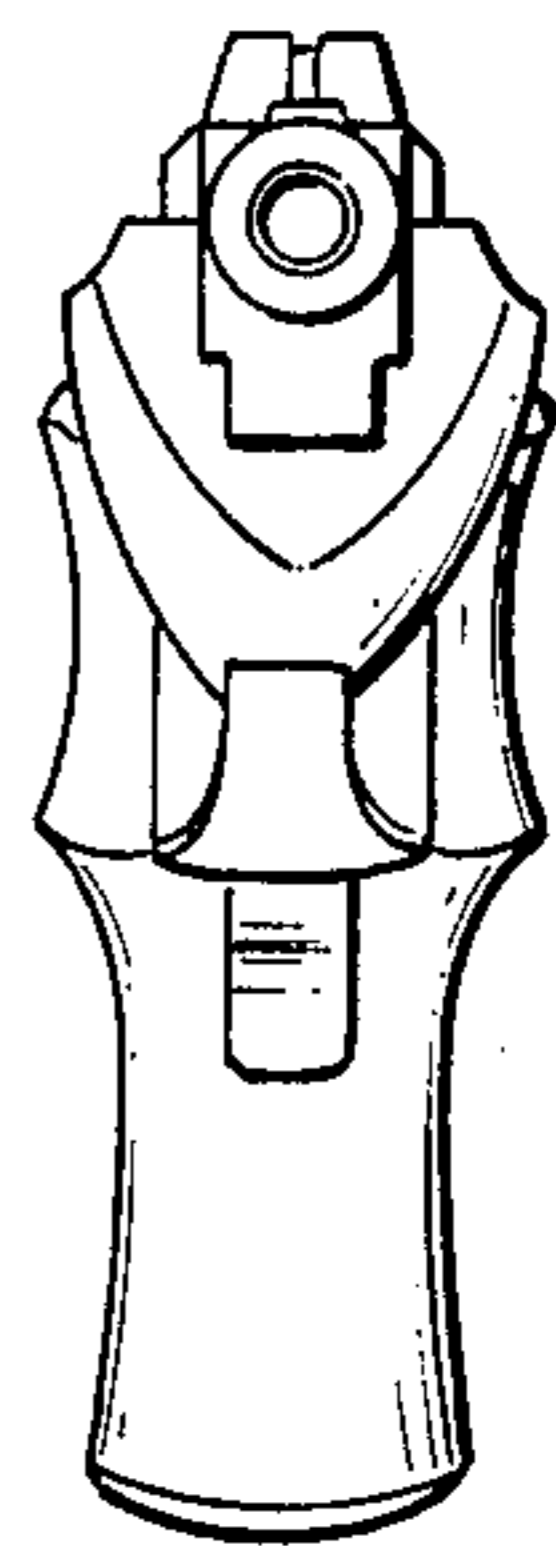


FIG. 5

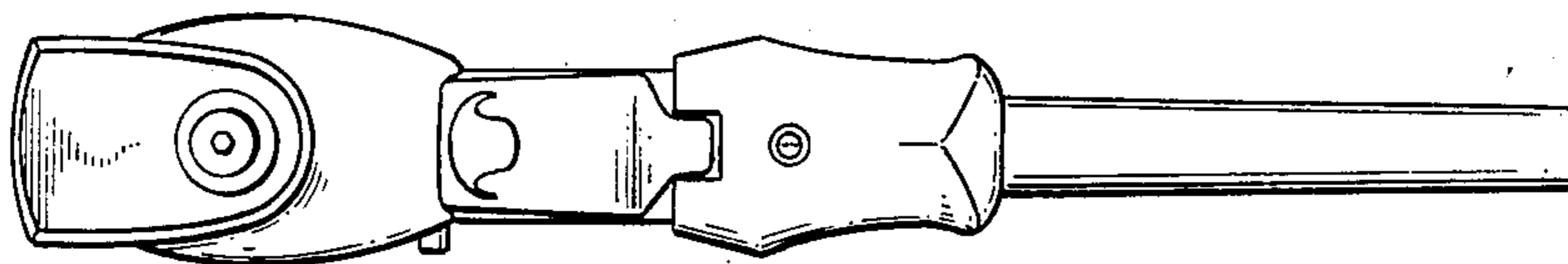


FIG. 4