

[54] **CRIB TOY**

[75] **Inventor: Thomas N. Chuk-Sun, Hong Kong, Hong Kong**

[73] **Assignee: Blue Box Toy Factory Limited, Hong Kong, Hong Kong**

[**] **Term: 14 Years**

[21] **Appl. No.: 811,270**

[22] **Filed: Dec. 20, 1985**

[30] **Foreign Application Priority Data**

Aug. 19, 1985 [GB] United Kingdom 1028672
[52] **U.S. Cl.** D21/63; D21/111
[58] **Field of Search** D21/59, 63, 64, 62, D21/111; 446/227; 434/259, 260, 258; D17/59, 62-64

[56]

References Cited

U.S. PATENT DOCUMENTS

D. 43,018 9/1912 Rees D21/161
D. 276,738 12/1984 Daugherty D21/161
D. 286,656 11/1986 Kamoutsky D21/63

OTHER PUBLICATIONS

Hong Kong Toys '84, p. 71, simulative drawing toy.

Primary Examiner—Charles A. Rademaker
Attorney, Agent, or Firm—Pollock, Vande Sande & Priddy

CLAIM

The ornamental design for a crib toy, as shown and described.

DESCRIPTION

FIG. 1 is a front perspective view of a crib toy showing my new design;
FIG. 2 is a side elevational view of the side opposite that shown in FIG. 1;
FIG. 3 is a rear elevational view thereof; and,
FIG. 4 is a bottom plan view thereof.

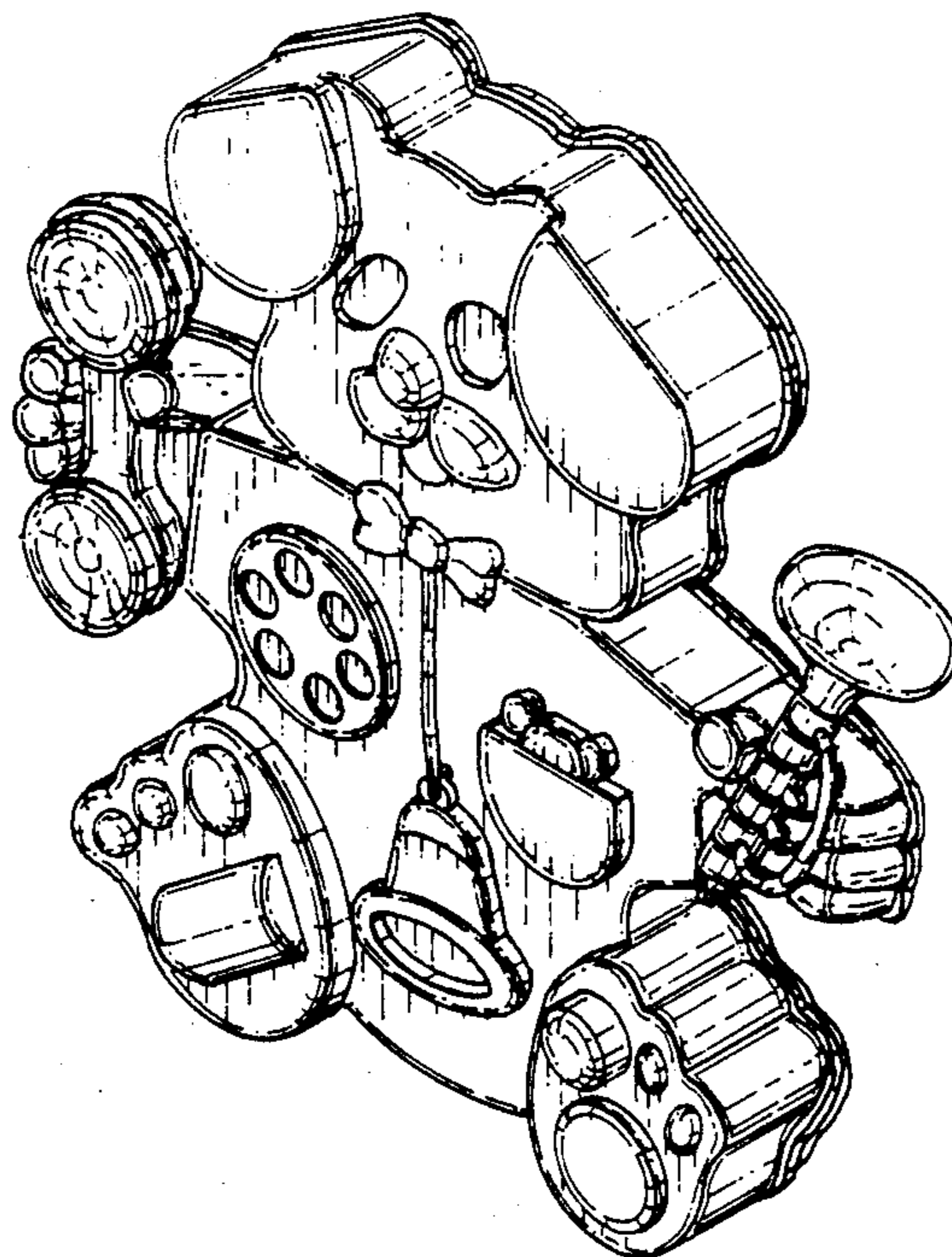


FIG 1

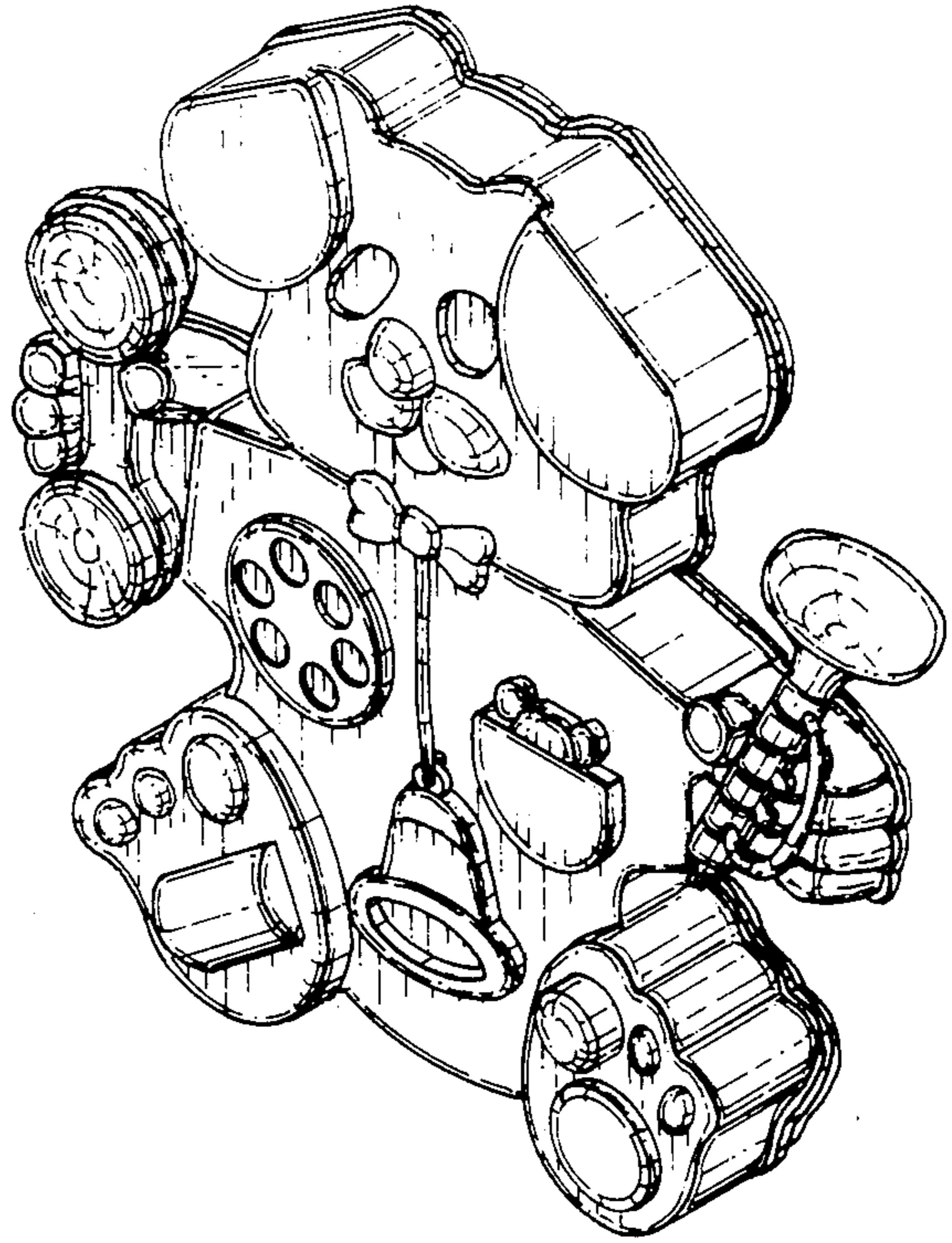
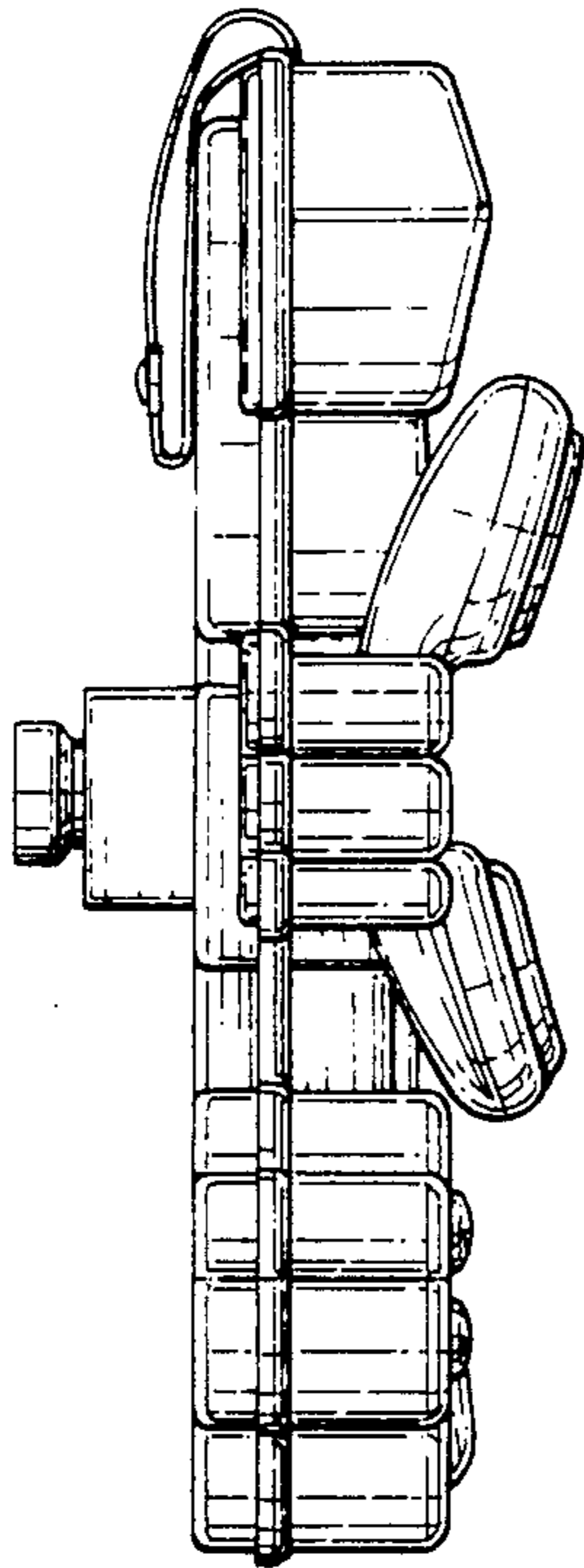


FIG 2



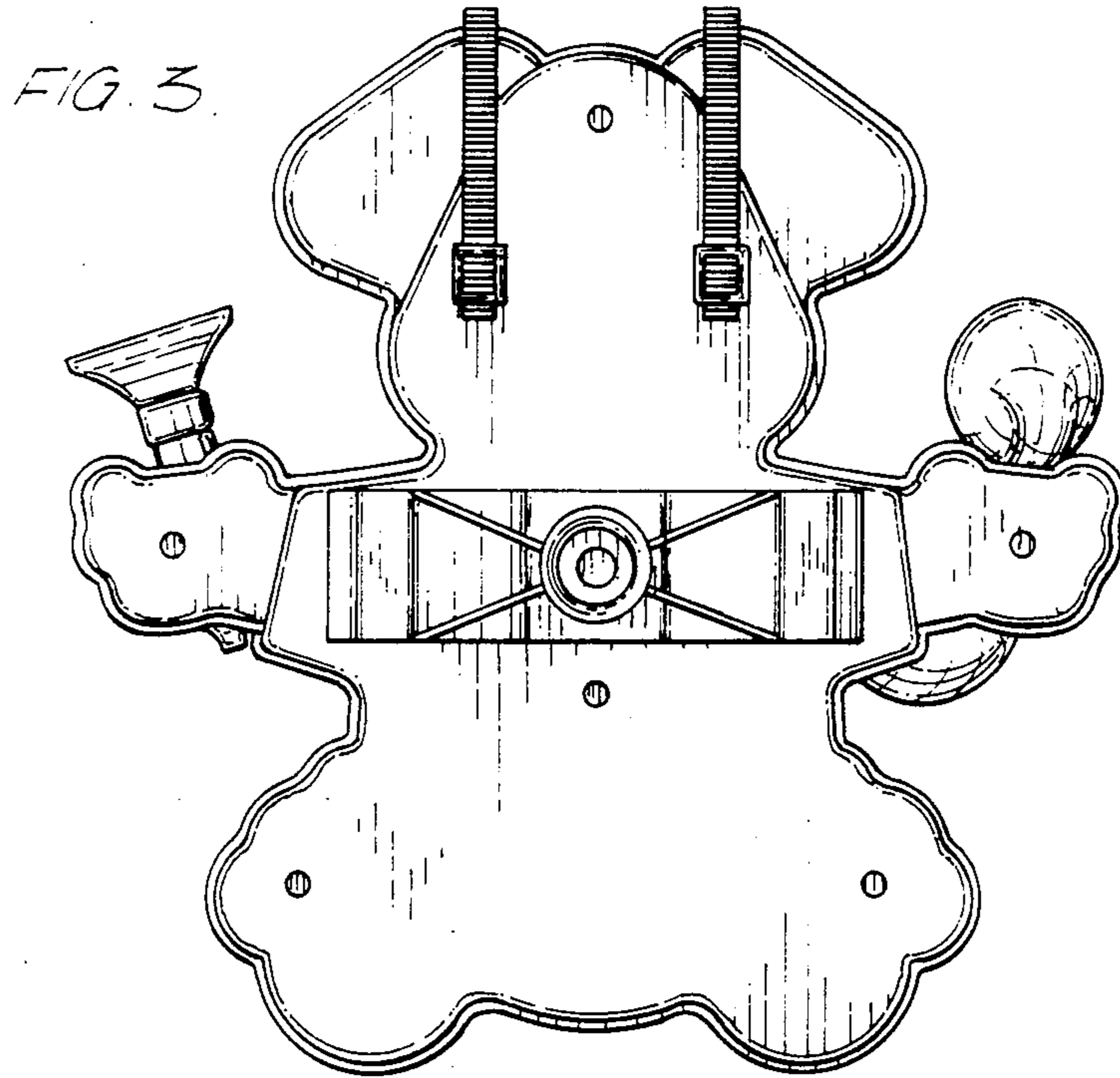


FIG. 4.

