

[54] NOTE PAPER HOLDER

[75] Inventor: Arlan D. Lothe, Sun Prairie, Wis.

[73] Assignee: Don Evans, Inc., DeForest, Wis.

[**] Term: 14 Years

[21] Appl. No.: 766,573

[22] Filed: Aug. 19, 1985

[52] U.S. Cl. D19/62

[58] Field of Search D19/90-92;
206/503, 425; 211/126

[56] References Cited

U.S. PATENT DOCUMENTS

- D. 274,067 5/1984 Evenson D19/92
- D. 292,220 10/1987 Wen D19/92

OTHER PUBLICATIONS

Highsmith Catalog, p. 74, item—Desk Set Memo Holder, and Clip Holder, both at top left corner of page.

Primary Examiner—Charles A. Rademaker
Attorney, Agent, or Firm—Isaksen, Lathrop, Esch, Hart & Clark

[57] CLAIM

The ornamental design for a note paper holder, as shown and described.

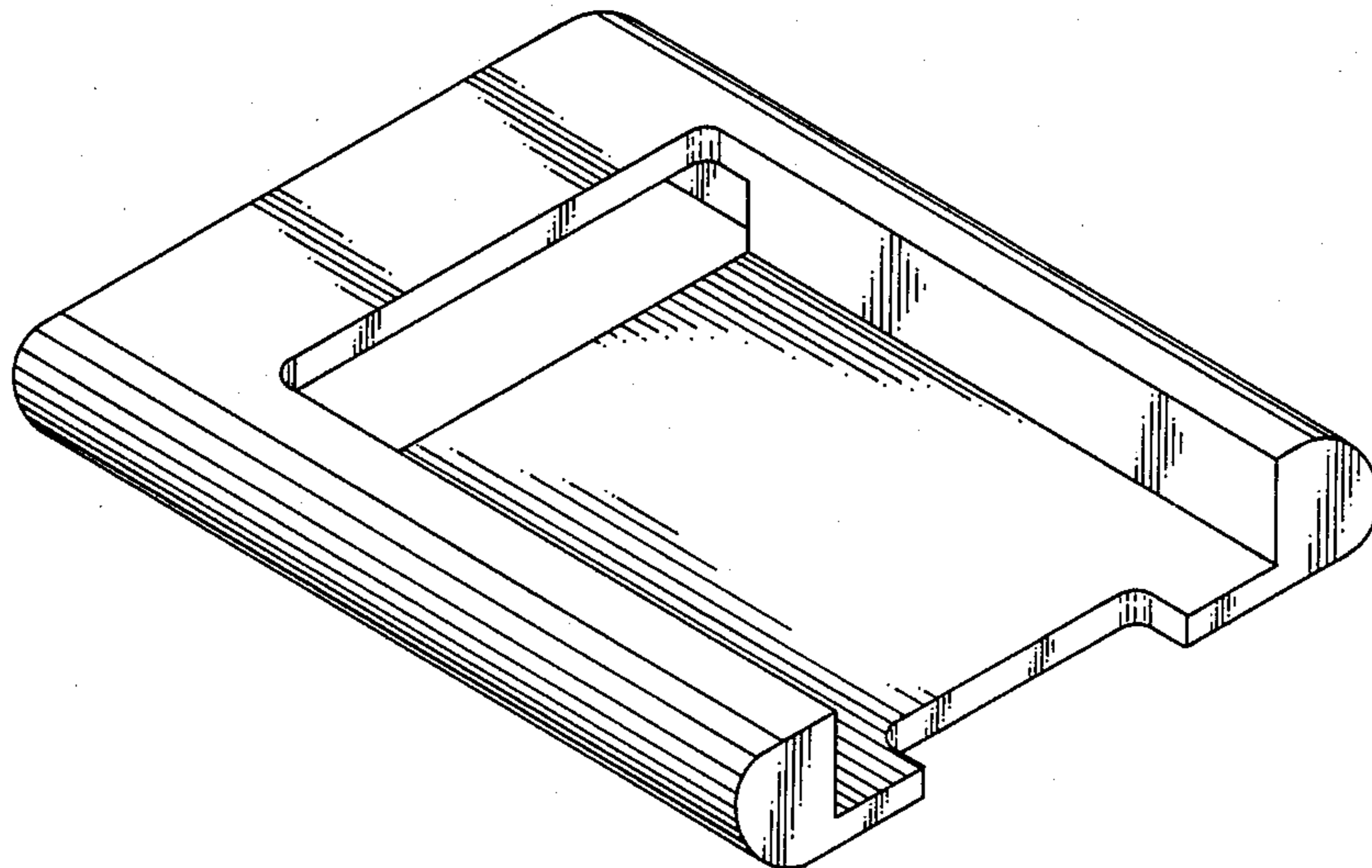
DESCRIPTION

FIG. 1 is a front perspective view of a note paper holder showing my new design.

FIG. 2 is a bottom perspective view thereof;

FIG. 3 is a top plan view thereof; and

FIG. 4 is a front elevational view thereof.



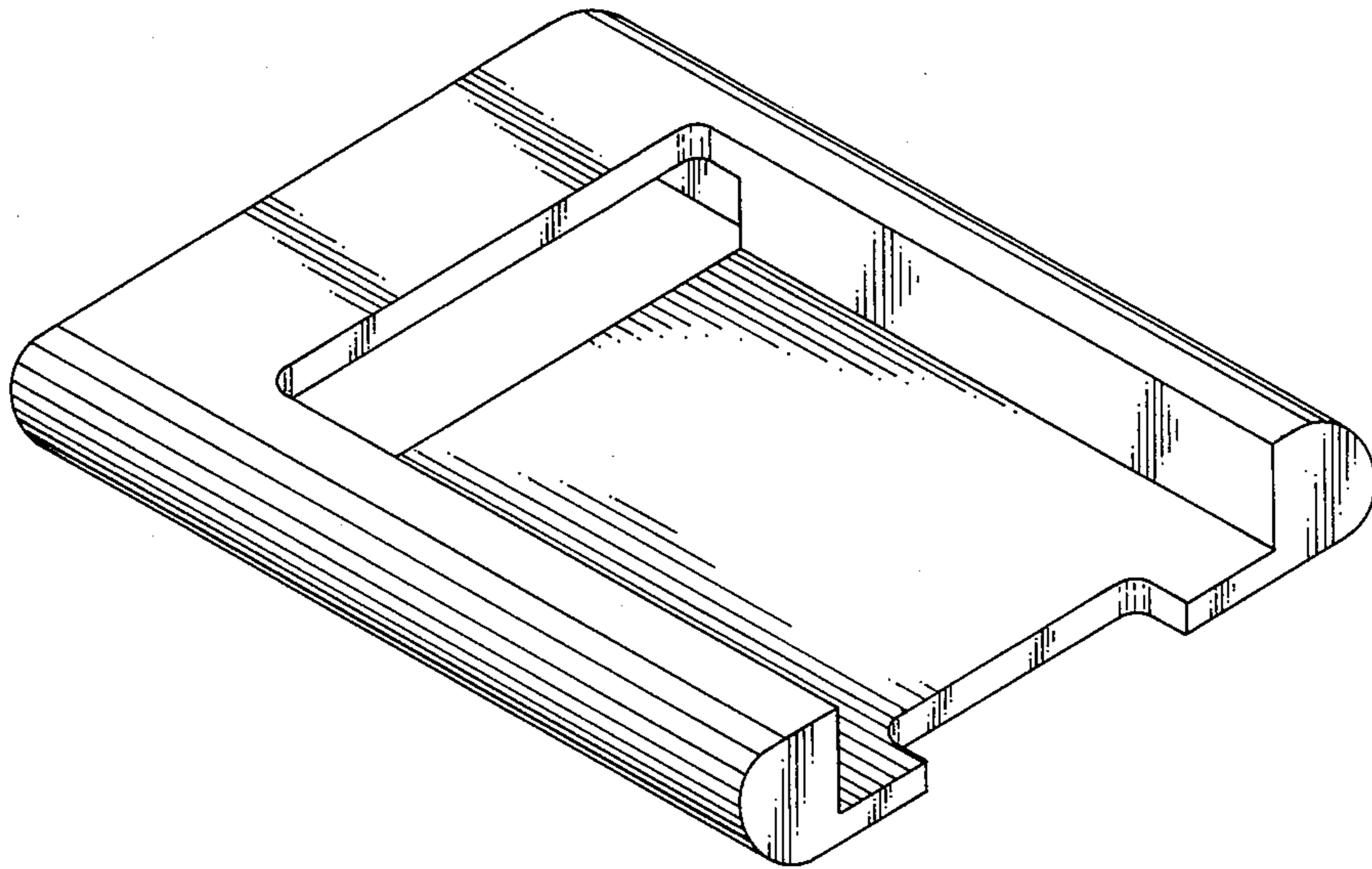


FIG. 1

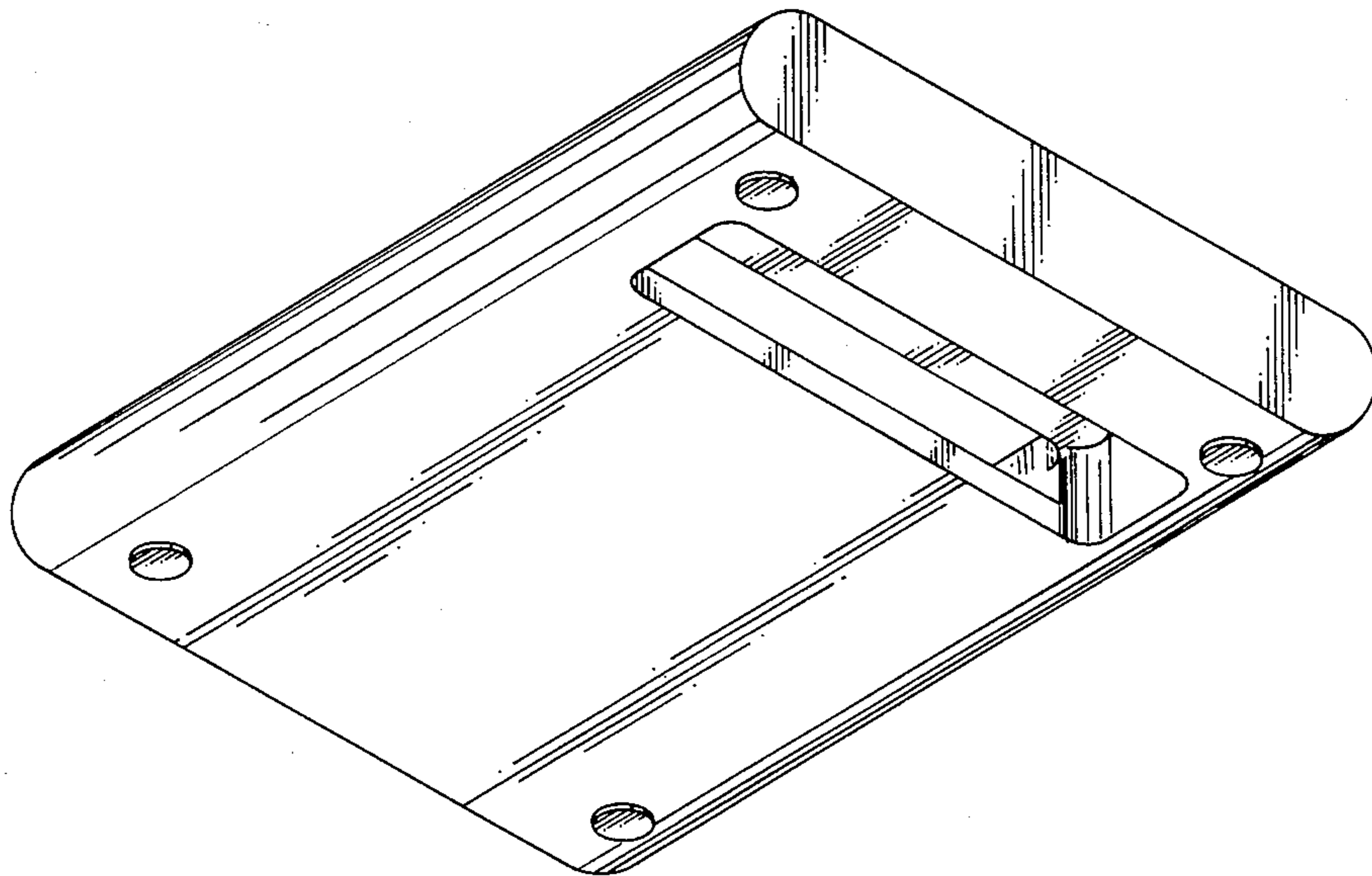


FIG. 2

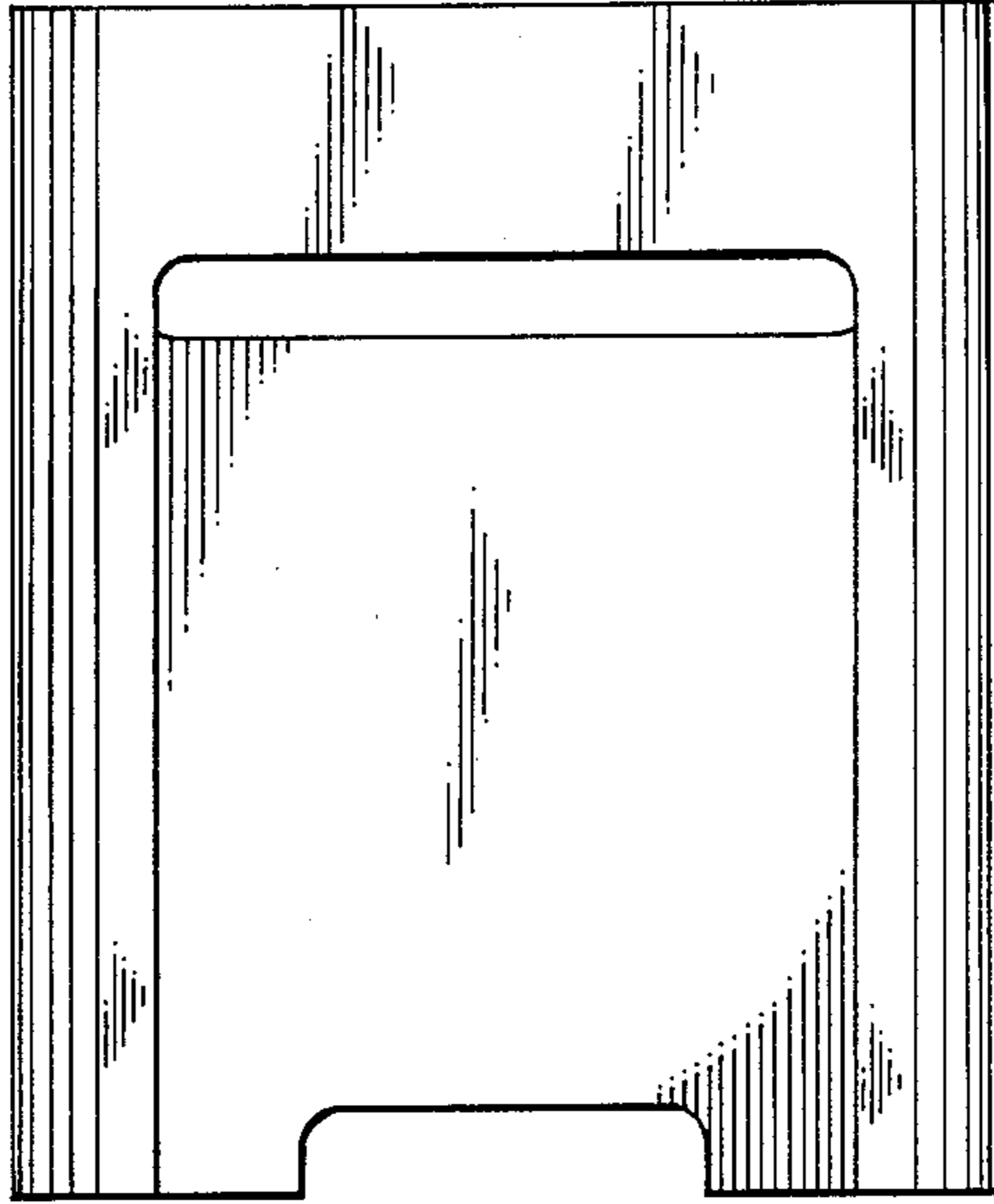


FIG. 3

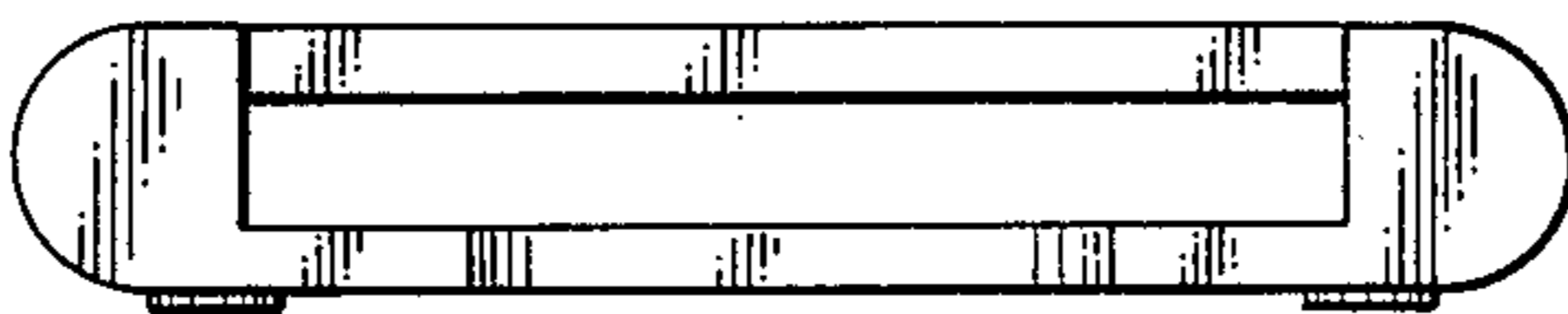


FIG. 4