

[54] **INSTANT PHOTO-TAKING APPARATUS
FOR A RETINAL CAMERA**

4,394,074 7/1983 McMahon et al. 351/206
4,533,223 8/1985 Duparchy 351/206
4,650,302 3/1987 Grant 351/206

[75] **Inventor: Kazunobu Kobayashi, Yokohama,
Japan**

[73] **Assignee: Canon Kabushiki Kaisha, Tokyo,
Japan**

[**] **Term: 14 Years**

[21] **Appl. No.: 857,552**

[22] **Filed: Apr. 22, 1986**

[30] **Foreign Application Priority Data**

Oct. 23, 1985 [JP] Japan 60-44583

[52] **U.S. Cl. D16/130**

[58] **Field of Search D16/1, 2, 130, 131;
351/206, 207, 208; 354/62**

[56] **References Cited**

U.S. PATENT DOCUMENTS

3,944,342 3/1976 Martinez 351/206

Primary Examiner—Bernard Ansher
Assistant Examiner—Theodore M. Shooman
Attorney, Agent, or Firm—Fitzpatrick, Cella, Harper &
Scinto

[57] **CLAIM**

The ornamental design for an instant photo-taking apparatus for a retinal camera, as shown and described.

DESCRIPTION

FIG. 1 is a front elevational view of an instant photo-taking apparatus for a retinal camera showing my new design;

FIG. 2 is a rear elevational view thereof;

FIG. 3 is a top plan view thereof;

FIG. 4 is a bottom plan view thereof;

FIG. 5 is a left side elevational view thereof;

FIG. 6 is a right side elevational view thereof; and

FIG. 7 is a top, front and left side perspective view thereof.

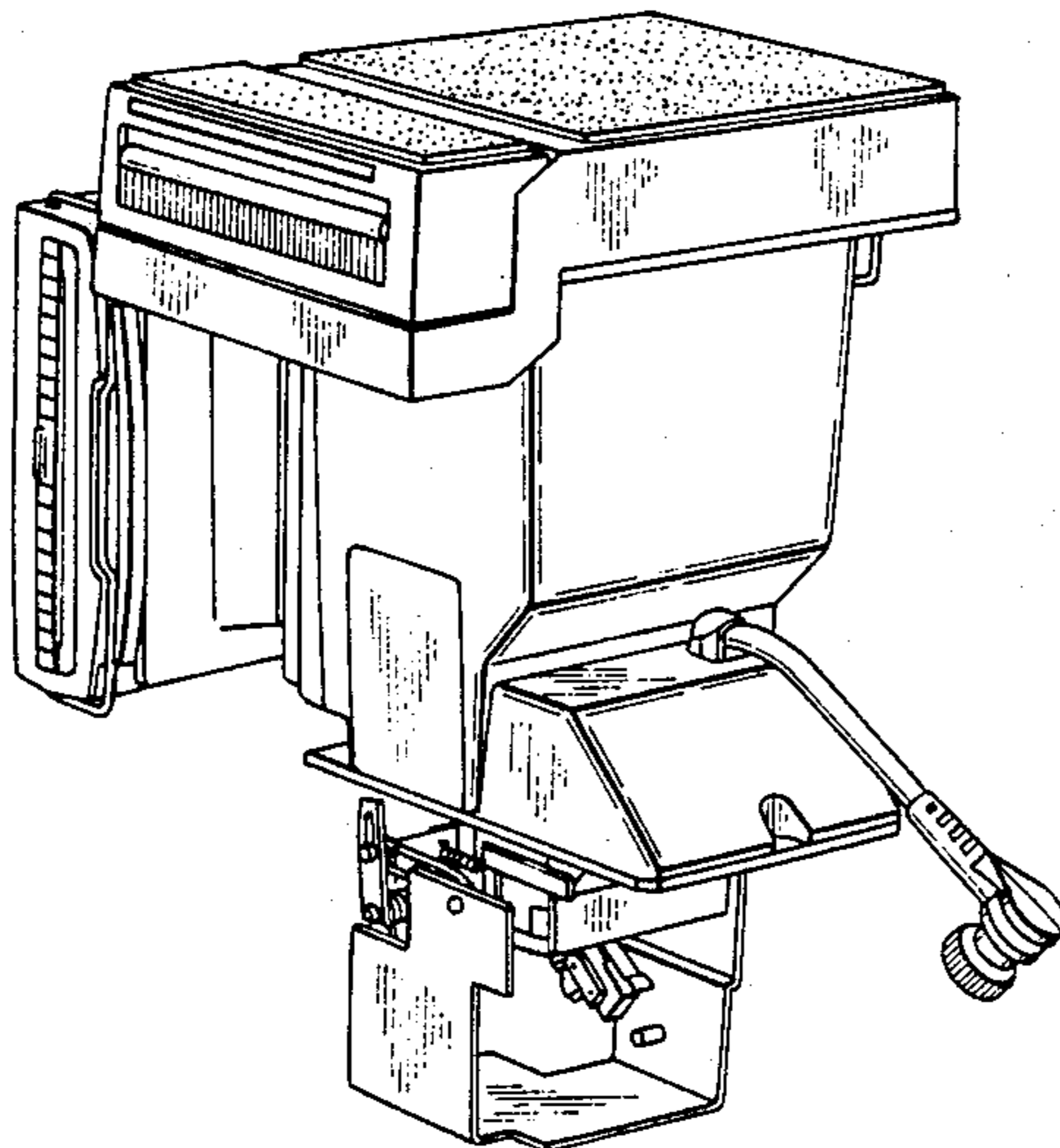


FIG. 1

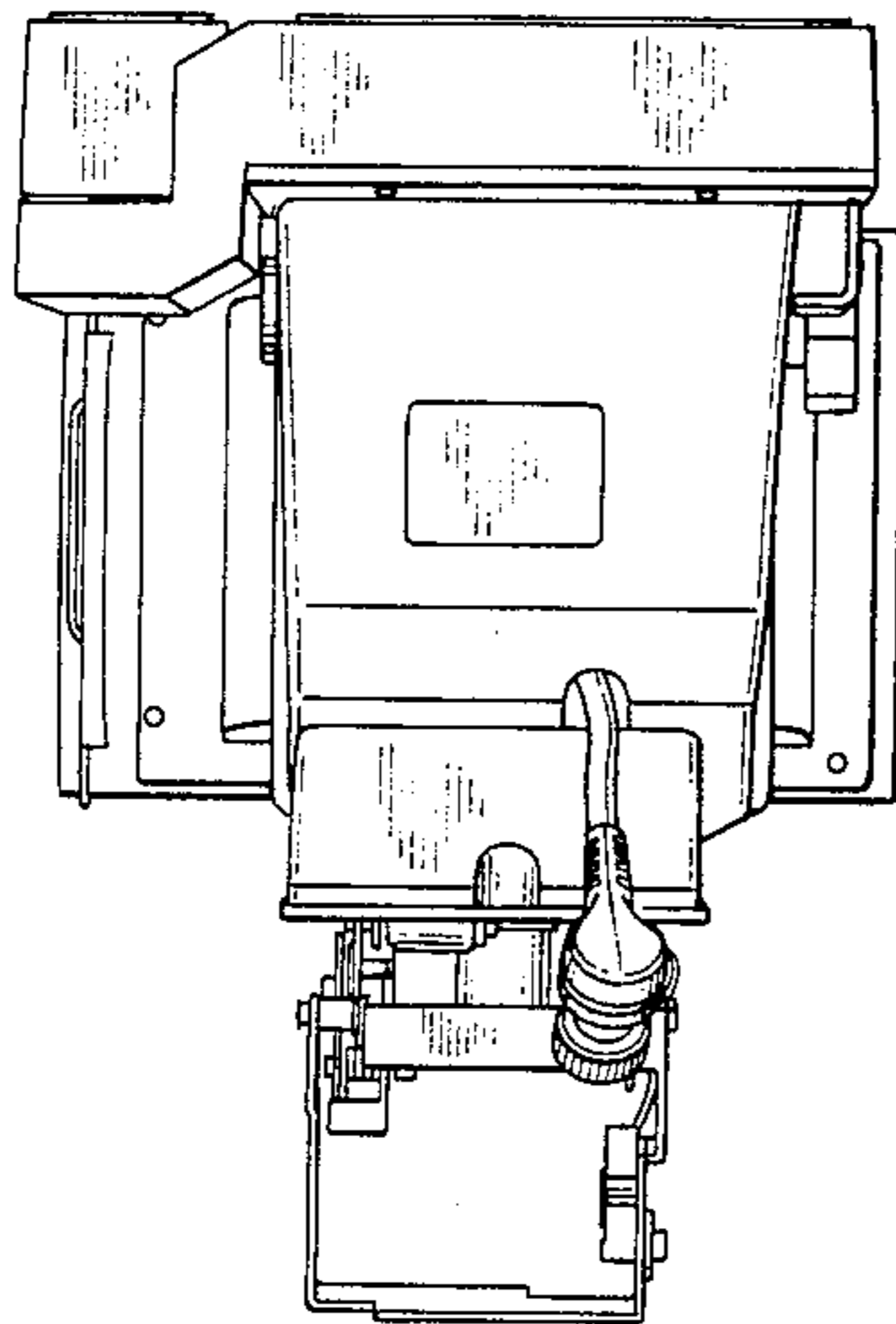


FIG. 2

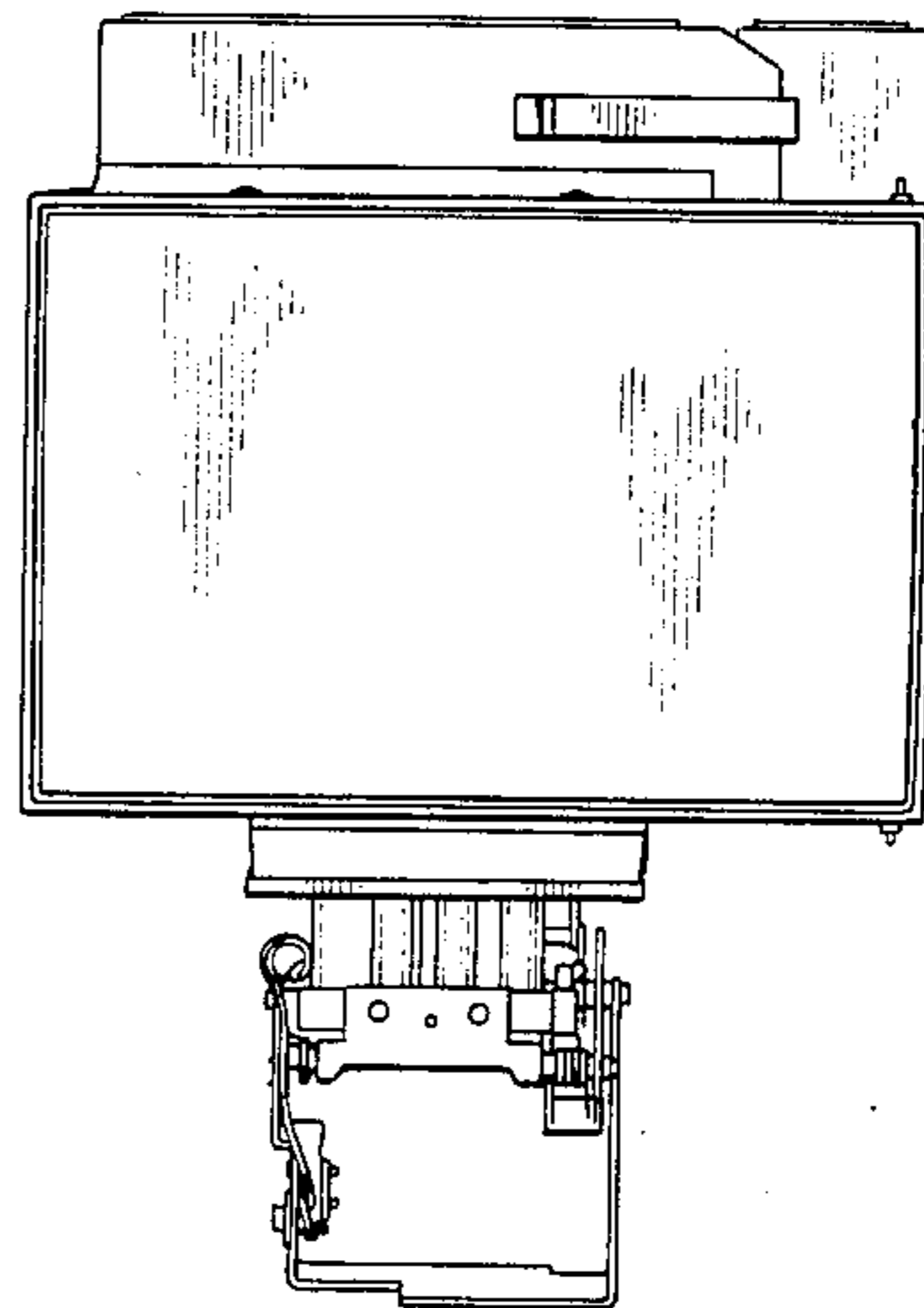


FIG. 3

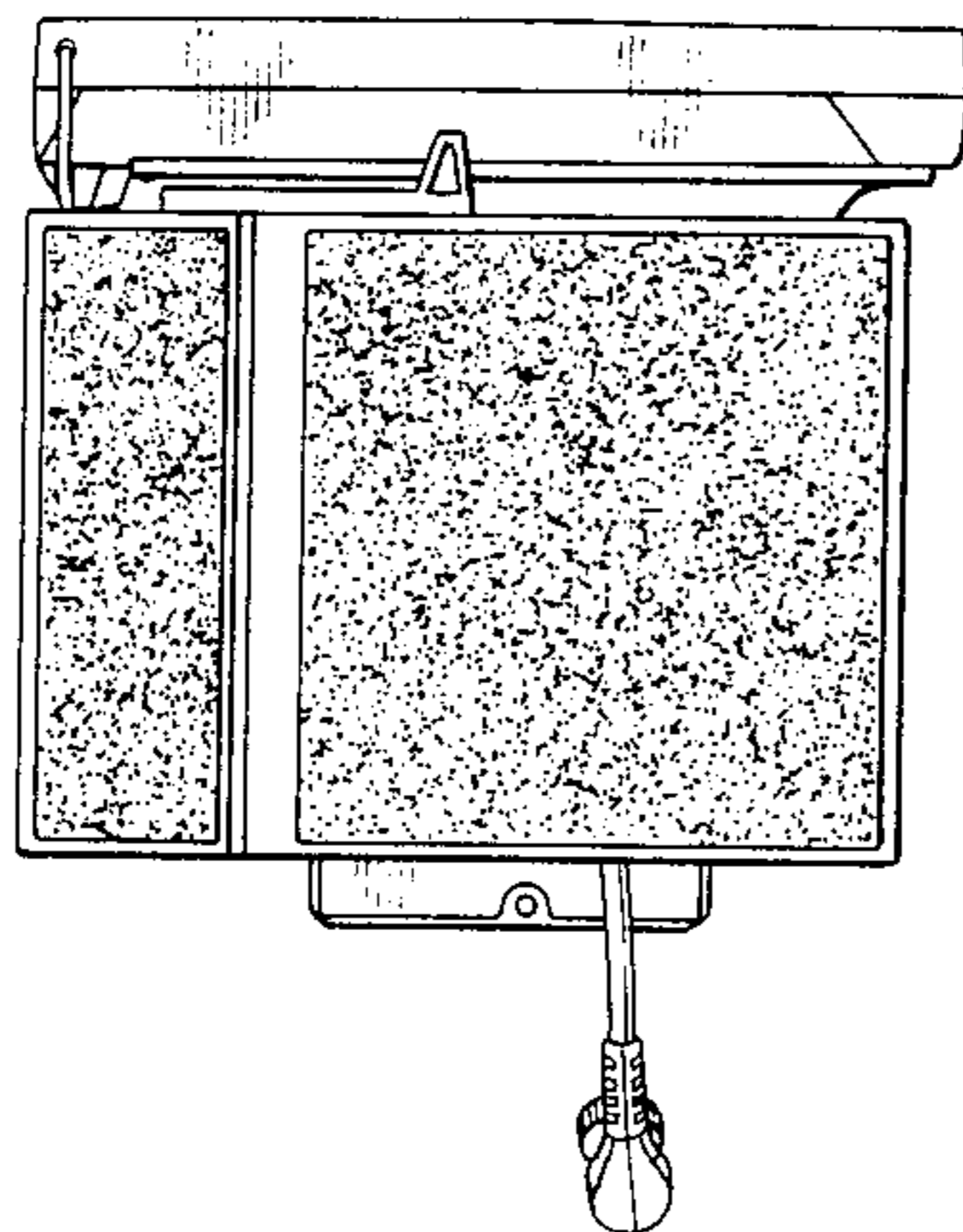


FIG. 4

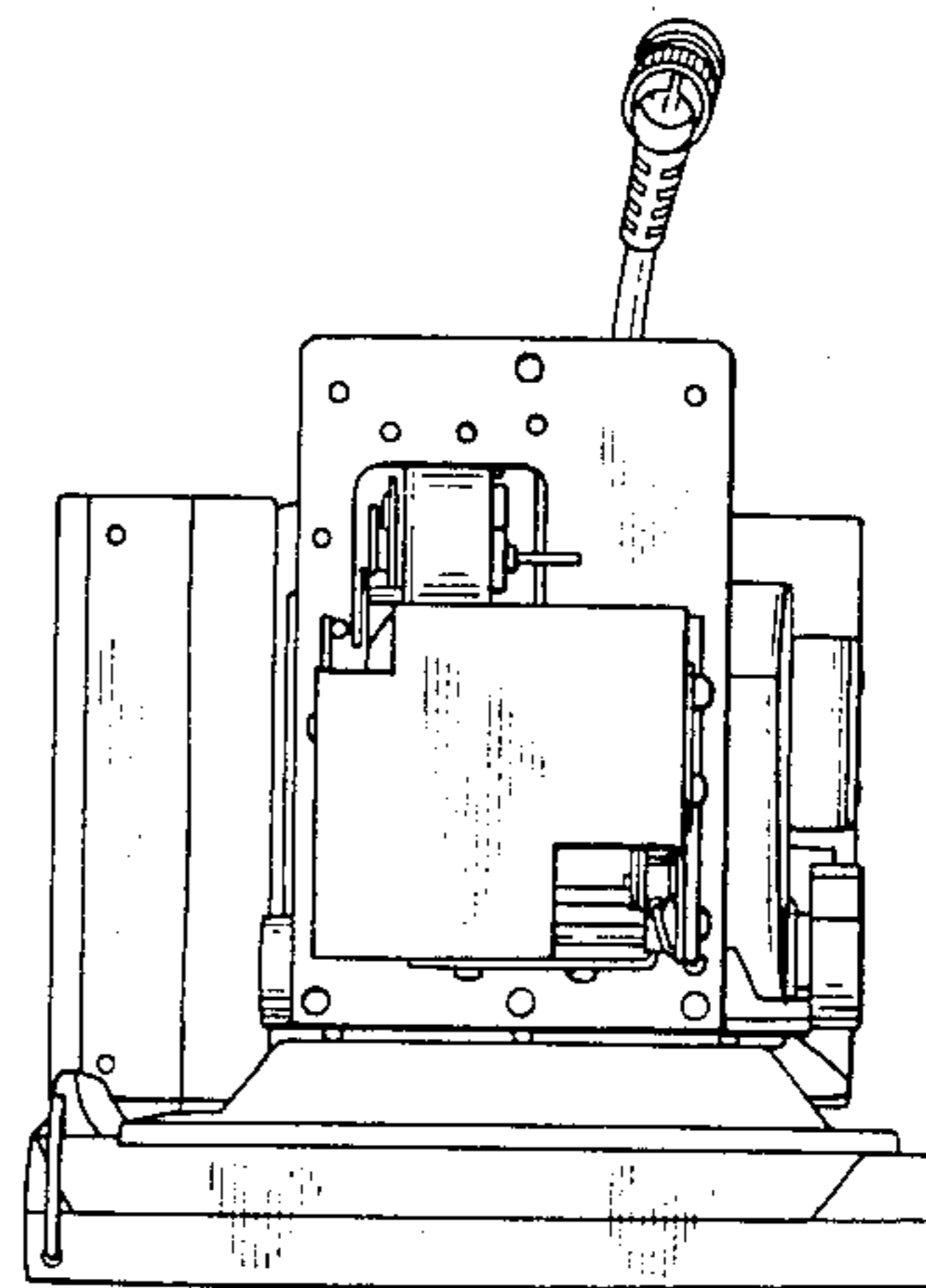


FIG. 5

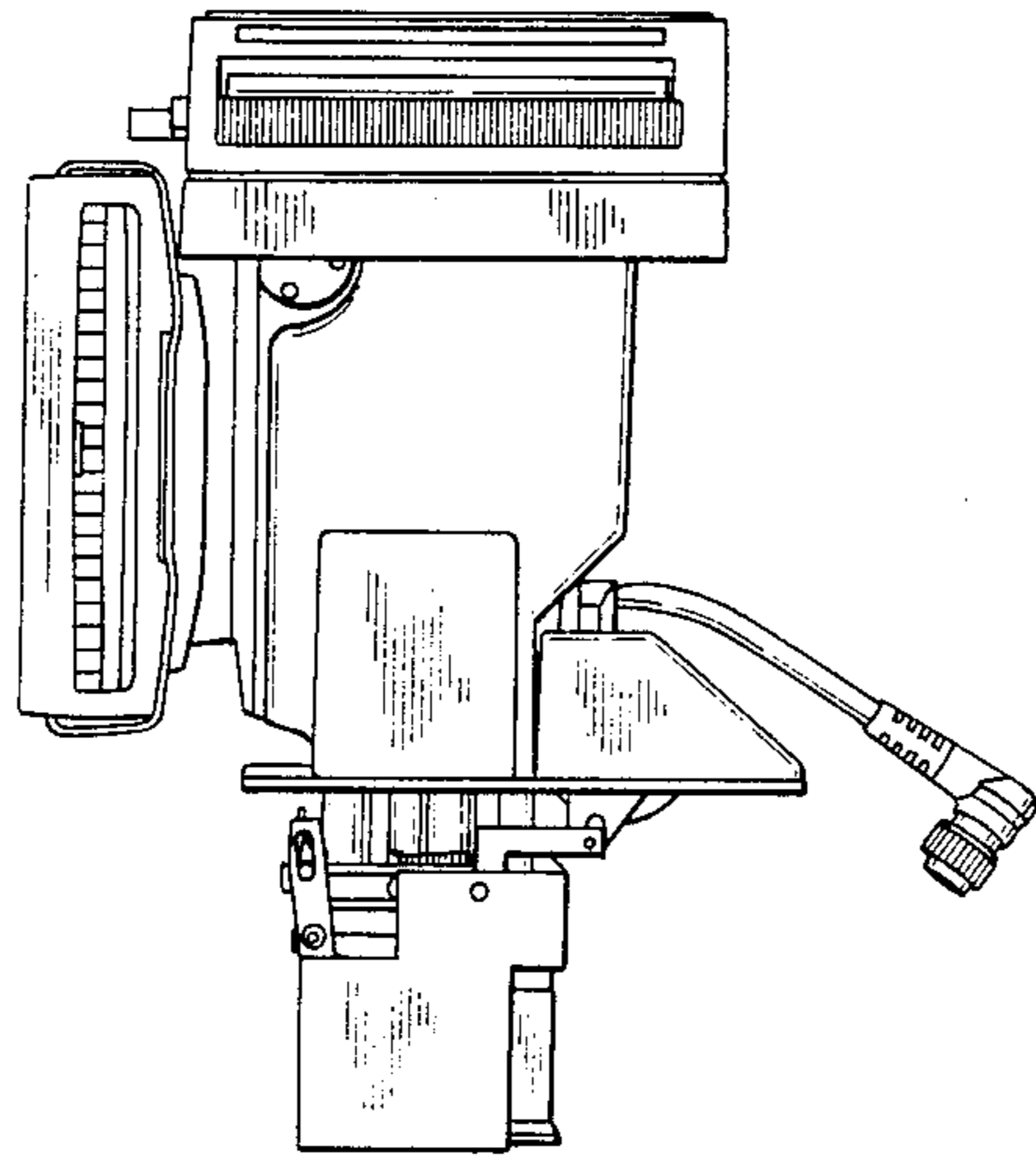


FIG. 6

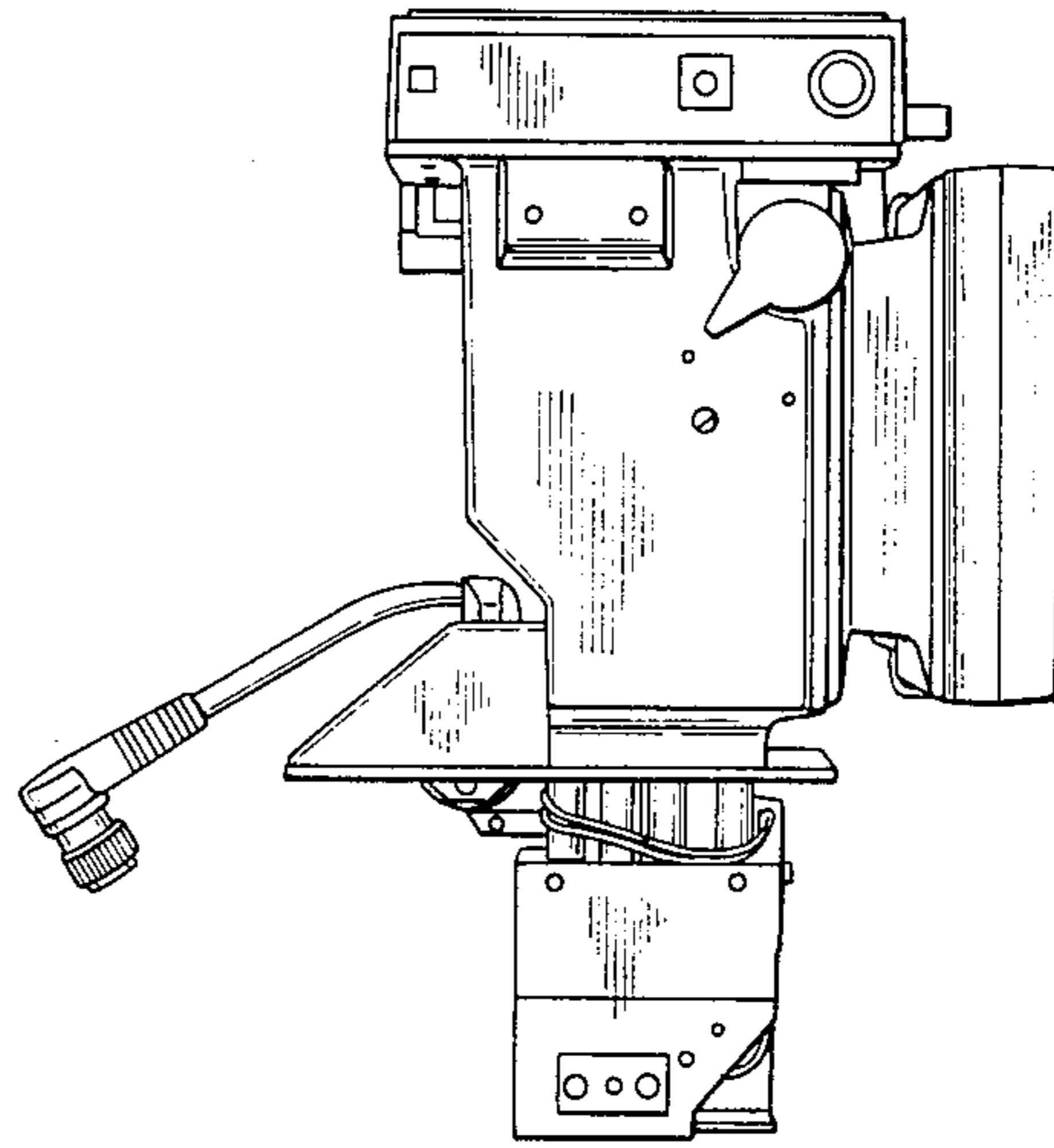
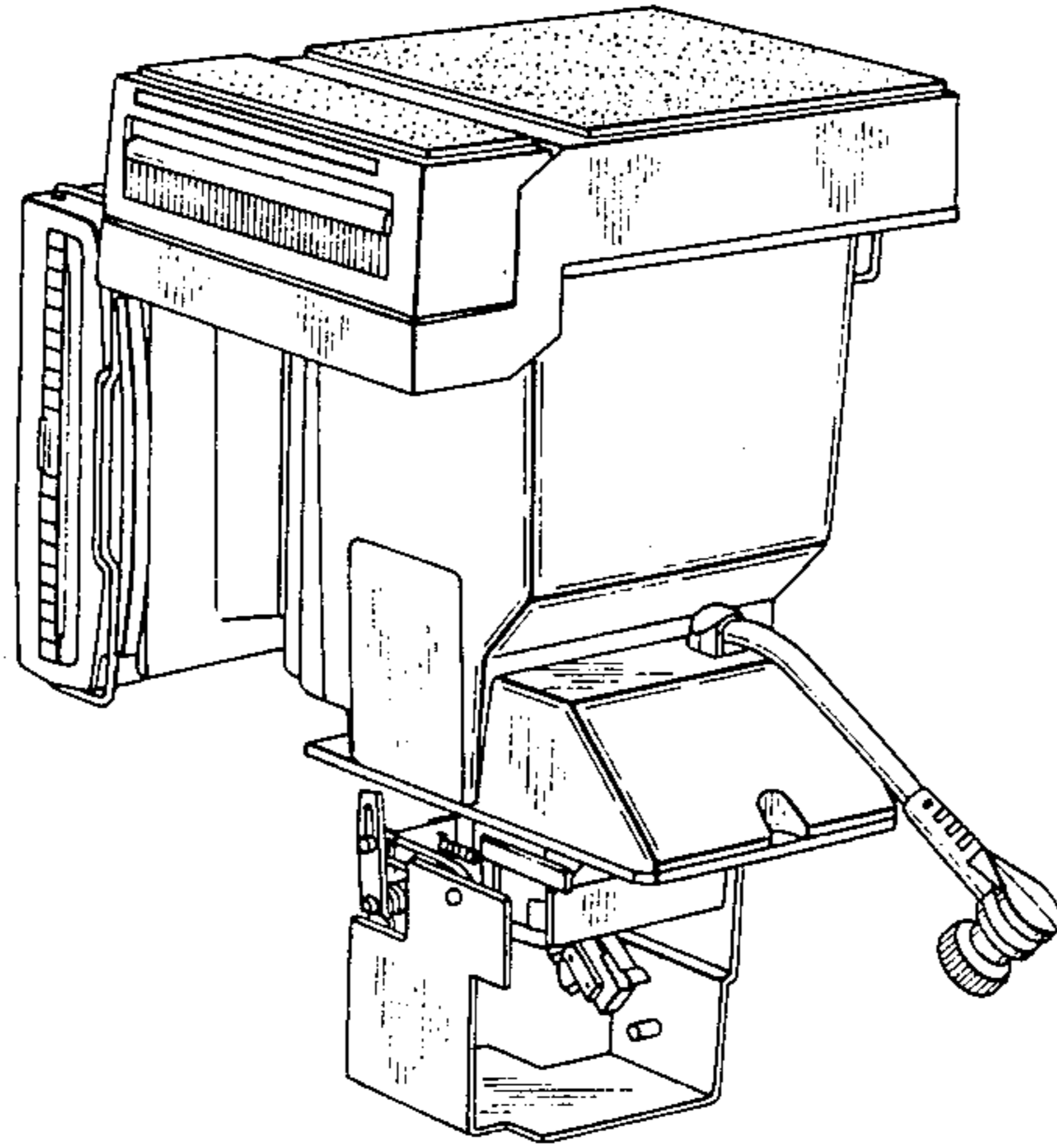


FIG. 7



UNITED STATES PATENT AND TRADEMARK OFFICE
CERTIFICATE OF CORRECTION

PATENT NO. : DES. 297,544
DATED : September 6, 1988
INVENTOR(S) : KAZUNOBU KOBAYASHI

It is certified that error appears in the above-identified patent and that said Letters Patent is hereby corrected as shown below:

ON THE TITLE PAGE:
" [56] References Cited"
under U.S. PATENT DOCUMENTS

the following should be listed:

| | | | |
|-----------|--------|--------------------|-----------|
| 3,388,646 | 6/1968 | Sullivan..... | 351/206 X |
| 4,273,431 | 6/1981 | Farmer et al..... | 354/62 X |
| 4,394,074 | 7/1983 | McMahon et al..... | 351/206 |

Signed and Sealed this
Fourteenth Day of February, 1989

Attest:

Attesting Officer

DONALD J. QUIGG

Commissioner of Patents and Trademarks