

[54] ELECTROPHOTOGRAPHIC COPIER

[75] Inventors: Nobuo Masaki, Kawasaki; Eiko Sekine, Yokohama, both of Japan

[73] Assignee: Canon Kabushiki Kaisha, Tokyo, Japan

[\*\*] Term: 14 Years

[21] Appl. No.: 809,869

[22] Filed: Dec. 17, 1985

[30] Foreign Application Priority Data

Jun. 25, 1985 [JP] Japan ..... 60-26934

[52] U.S. Cl. .... D16/31

[58] Field of Search ..... D16/27-32; 355/3 R, 3 SH, 5-11, 14 R, 14 SH, 18-19, 51, 54, 64-65

[56] References Cited

U.S. PATENT DOCUMENTS

- D. 278,246 4/1985 Masaki ..... D16/31
- D. 283,330 4/1986 Masaki ..... D16/31
- D. 284,386 6/1986 Saito ..... D16/31
- D. 285,800 9/1986 Kadota ..... D16/31
- D. 286,159 10/1986 Masaki ..... D16/31
- D. 286,785 11/1986 Okuyama ..... D16/31

- D. 286,885 11/1986 Okuyama ..... D16/31
- D. 287,503 12/1986 Masaki ..... D16/31

OTHER PUBLICATIONS

Canon PC brochure "Meet the Family"-4/84-Copiers on rear cover.

Sharp Z-60 brochure-12/84-Copier on front.

The Office-7/85-p. 77-Copier at bottom right.

Primary Examiner-Nelson C. Holtje

Attorney, Agent, or Firm-Fitzpatrick, Cella, Harper & Scinto

[57] CLAIM

The ornamental design for an electrophotographic copier, as shown and described.

DESCRIPTION

FIG. 1 is a front elevational view of an electrophotographic copier showing our new design;

FIG. 2 is a rear elevational view thereof;

FIG. 3 is a top plan view thereof;

FIG. 4 is a bottom plan view thereof;

FIG. 5 is a side elevational view thereof as seen from the left of FIG. 1;

FIG. 6 is a side elevational view thereof as seen from the right of FIG. 1 and

FIG. 7 is a perspective view thereof.

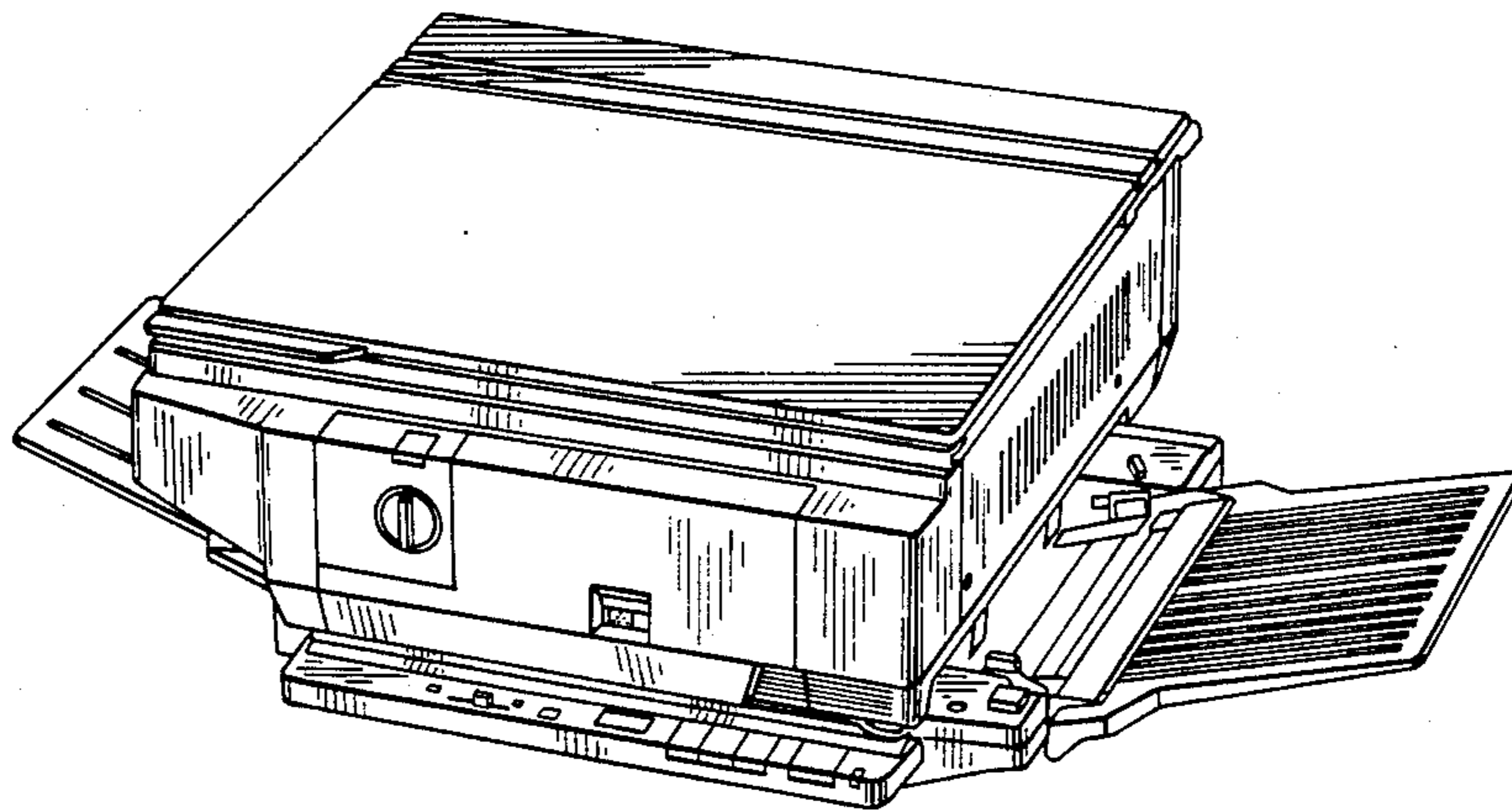


FIG. 1

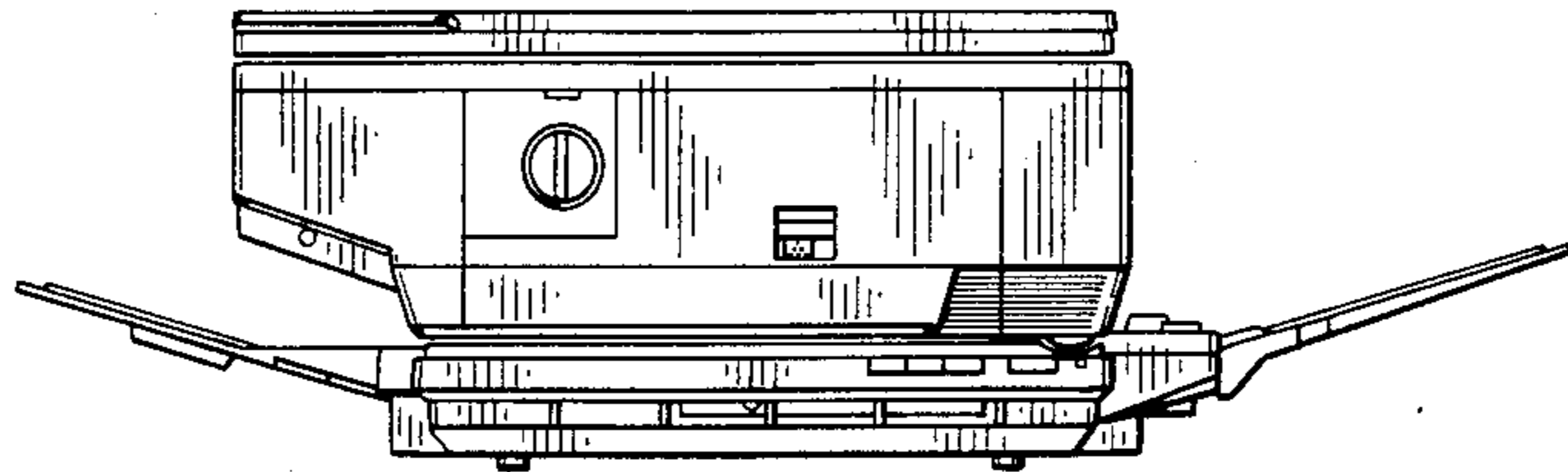


FIG. 2

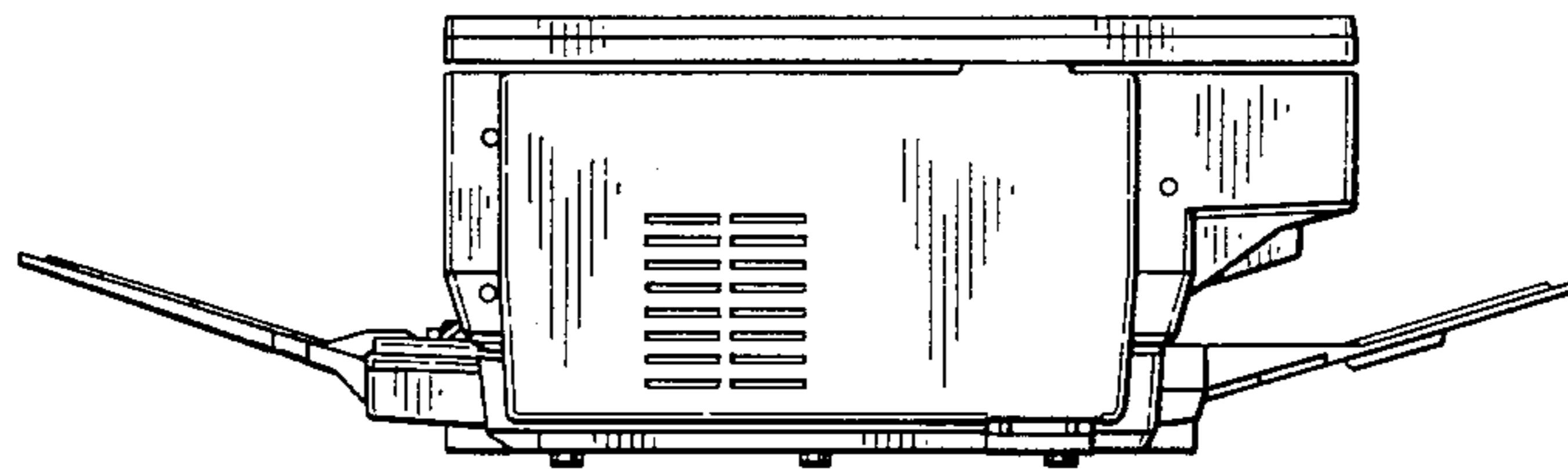


FIG. 3

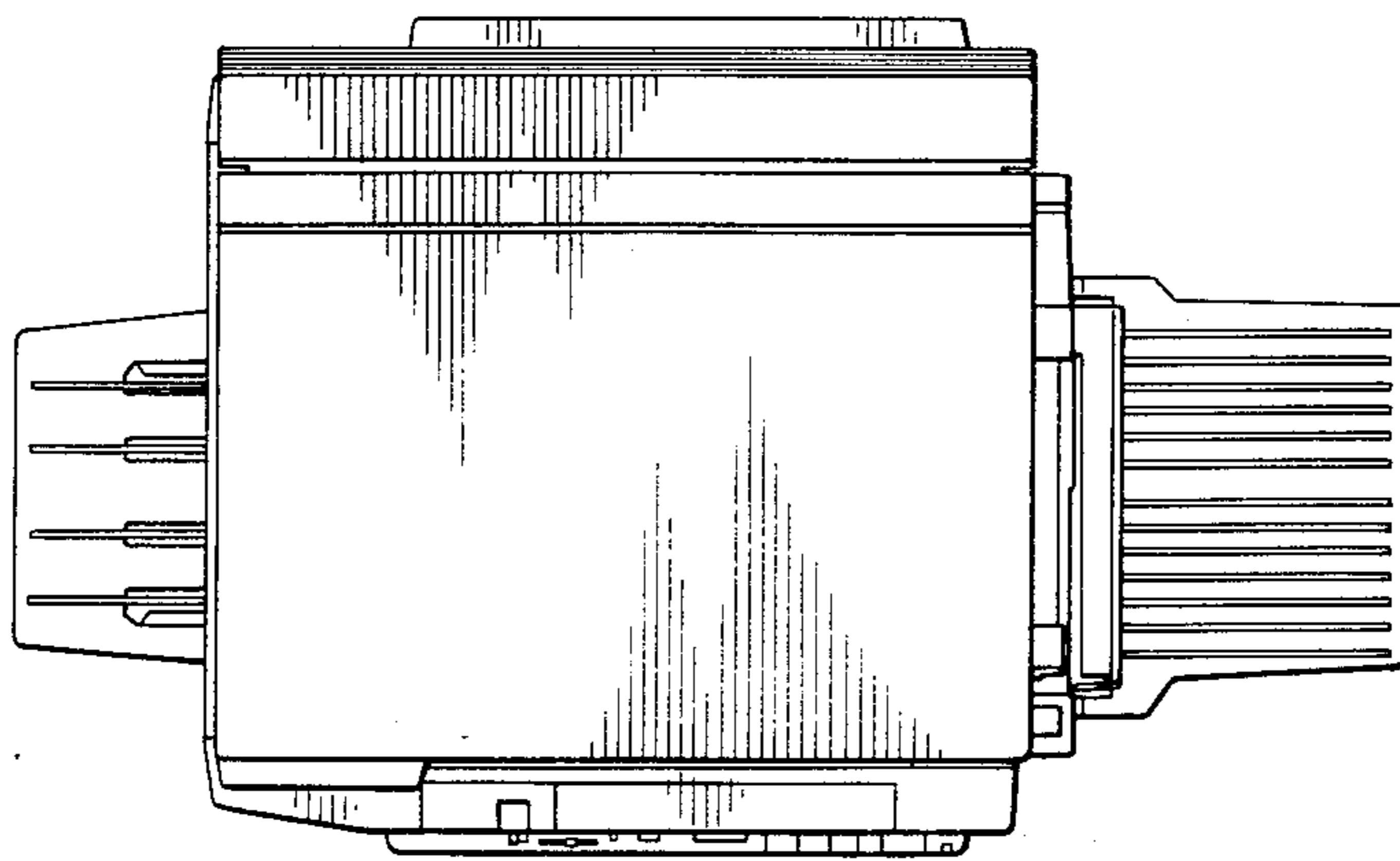


FIG. 4

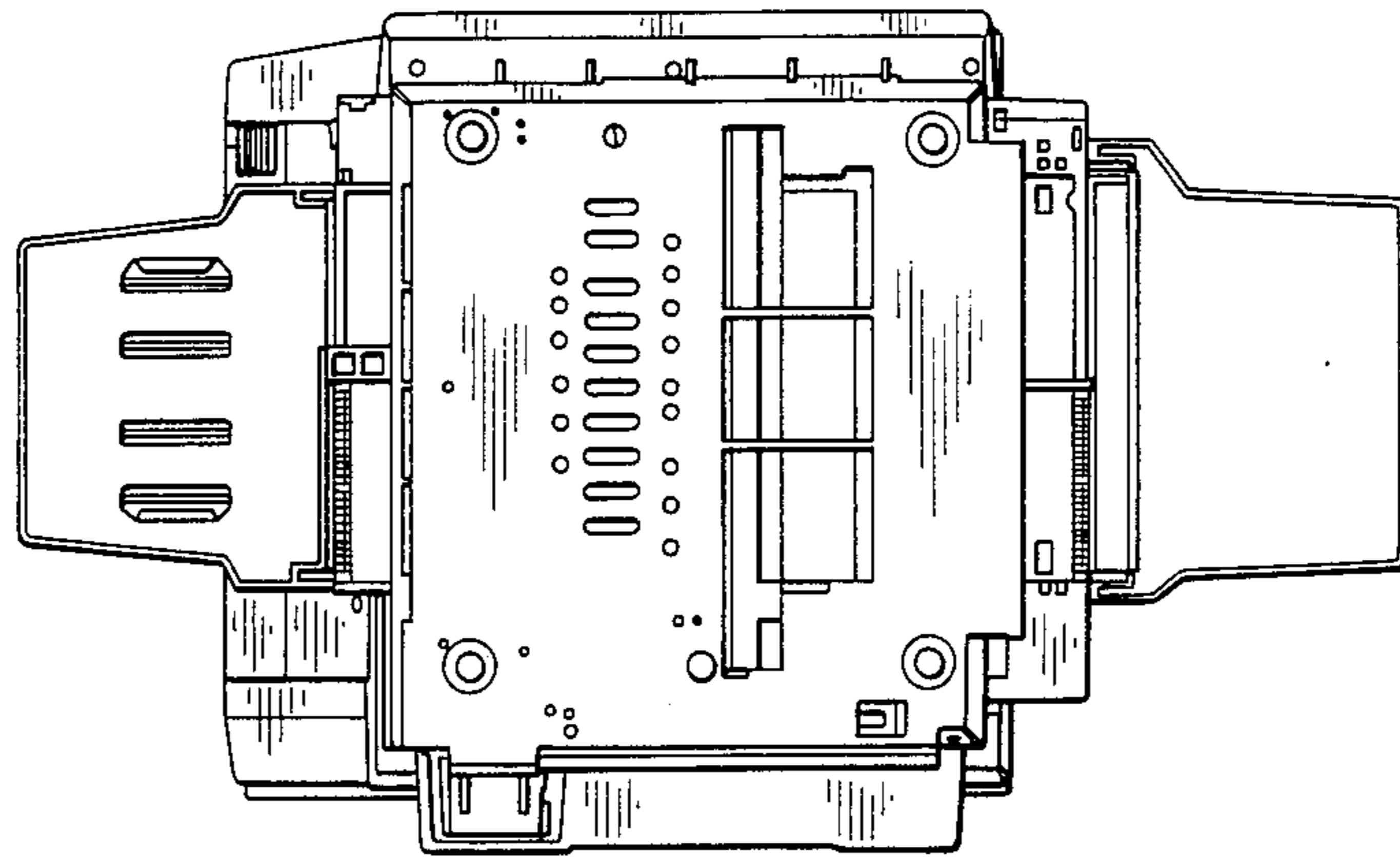


FIG. 5

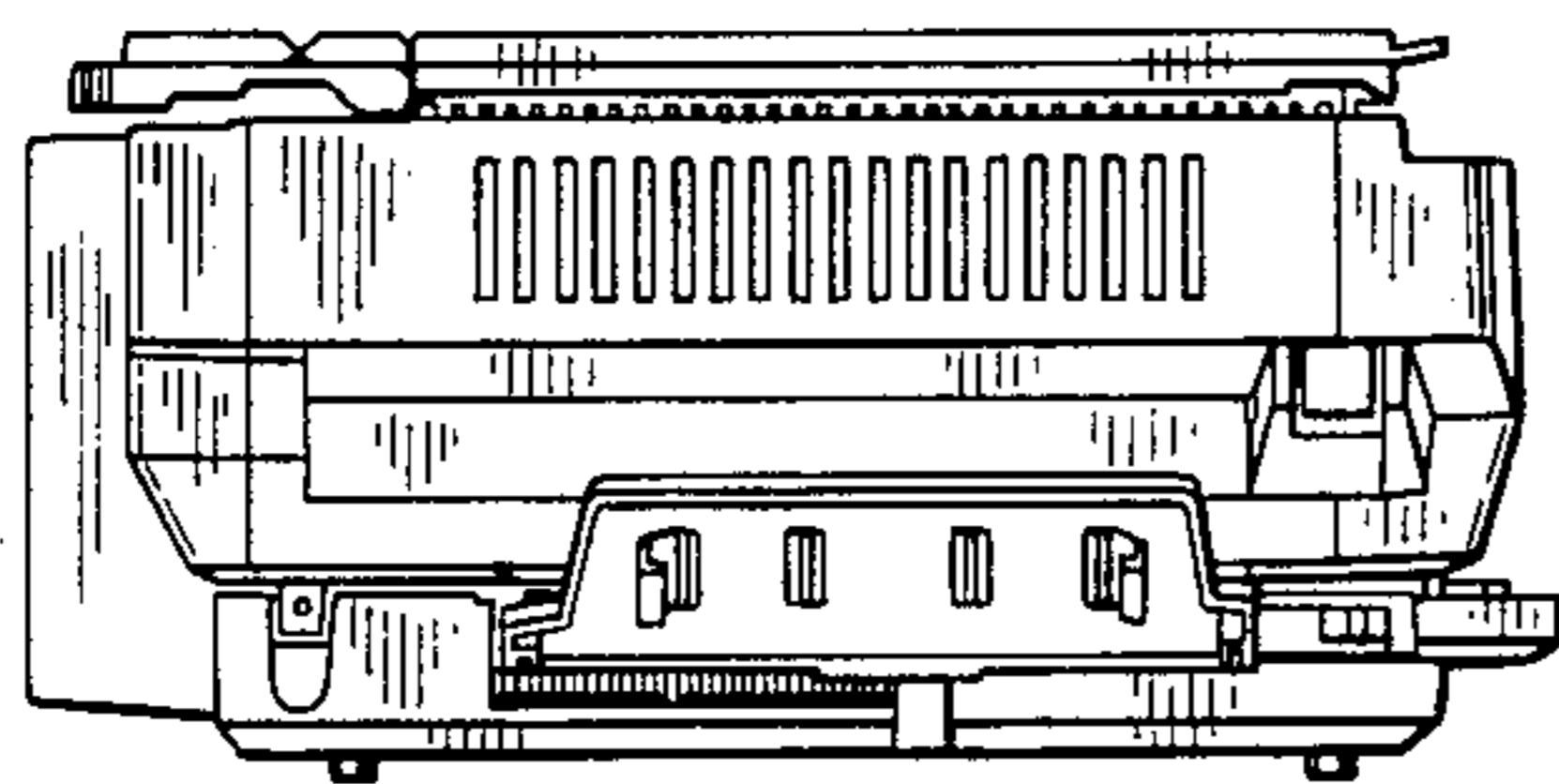


FIG. 6

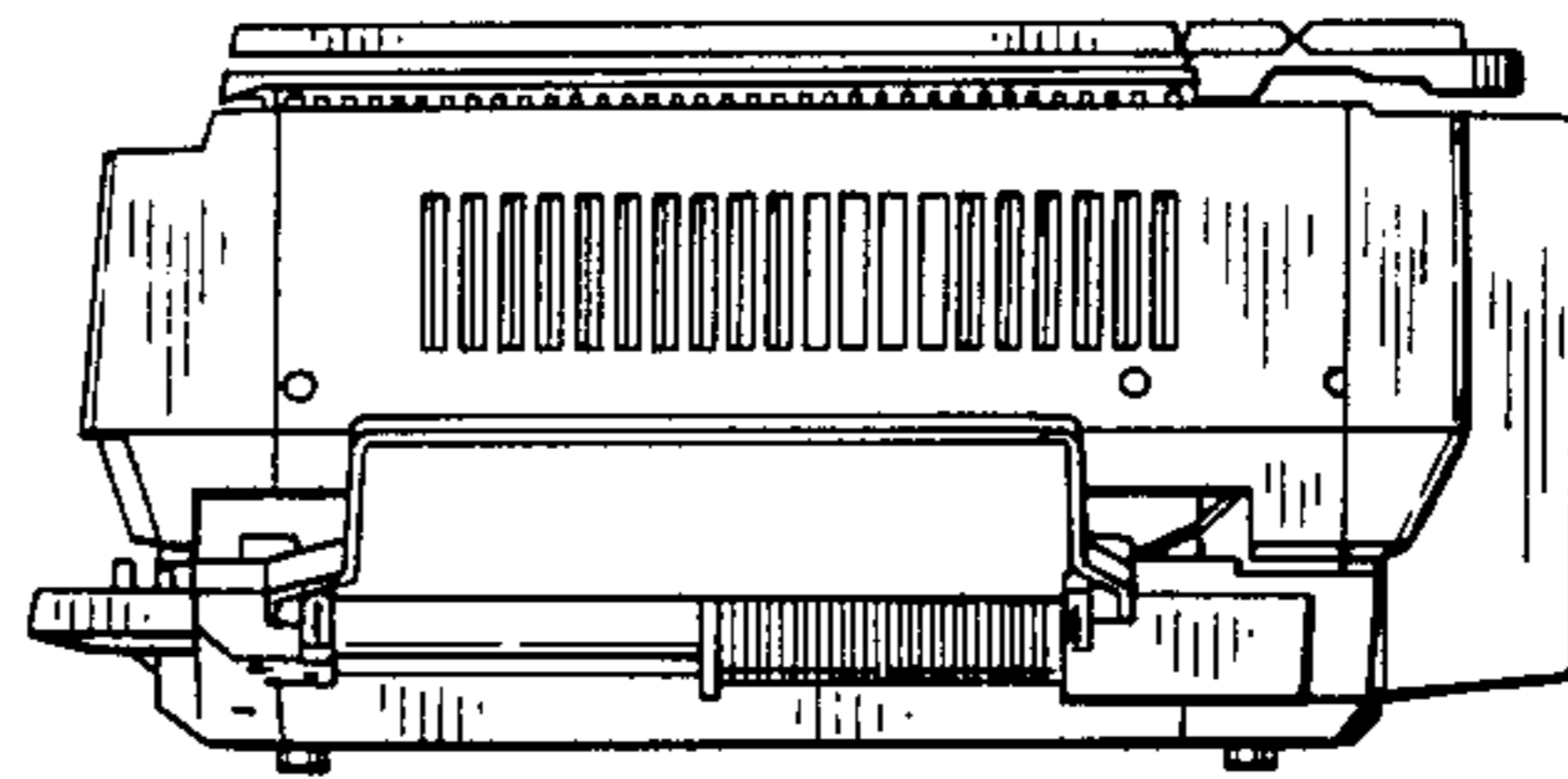


FIG. 7

