

[54] **LOADER TOOTH FOR EARTH MOVING MACHINES**

[75] Inventor: **Kjell Mohlin, Karlskoga, Sweden**

[73] Assignee: **AB Bofors Wear Parts, Bofors, Sweden**

[**] Term: **14 Years**

[21] Appl. No.: **776,241**

[22] Filed: **Sep. 16, 1985**

[52] U.S. Cl. **D15/29**

[58] Field of Search **D15/28-29, D15/32; 37/141 T, 141 R, 142 A, 142 R; 172/713**

[56] **References Cited**

U.S. PATENT DOCUMENTS

- D. 183,500 9/1958 Smedley D15/29
- D. 237,096 10/1975 Holland D15/29

- D. 284,010 5/1986 Voyce D15/29
- 3,137,352 6/1964 Petersen 172/713
- 3,864,853 2/1975 Klett et al. 37/141 T
- 4,501,079 2/1985 Hahn et al. 37/142 R

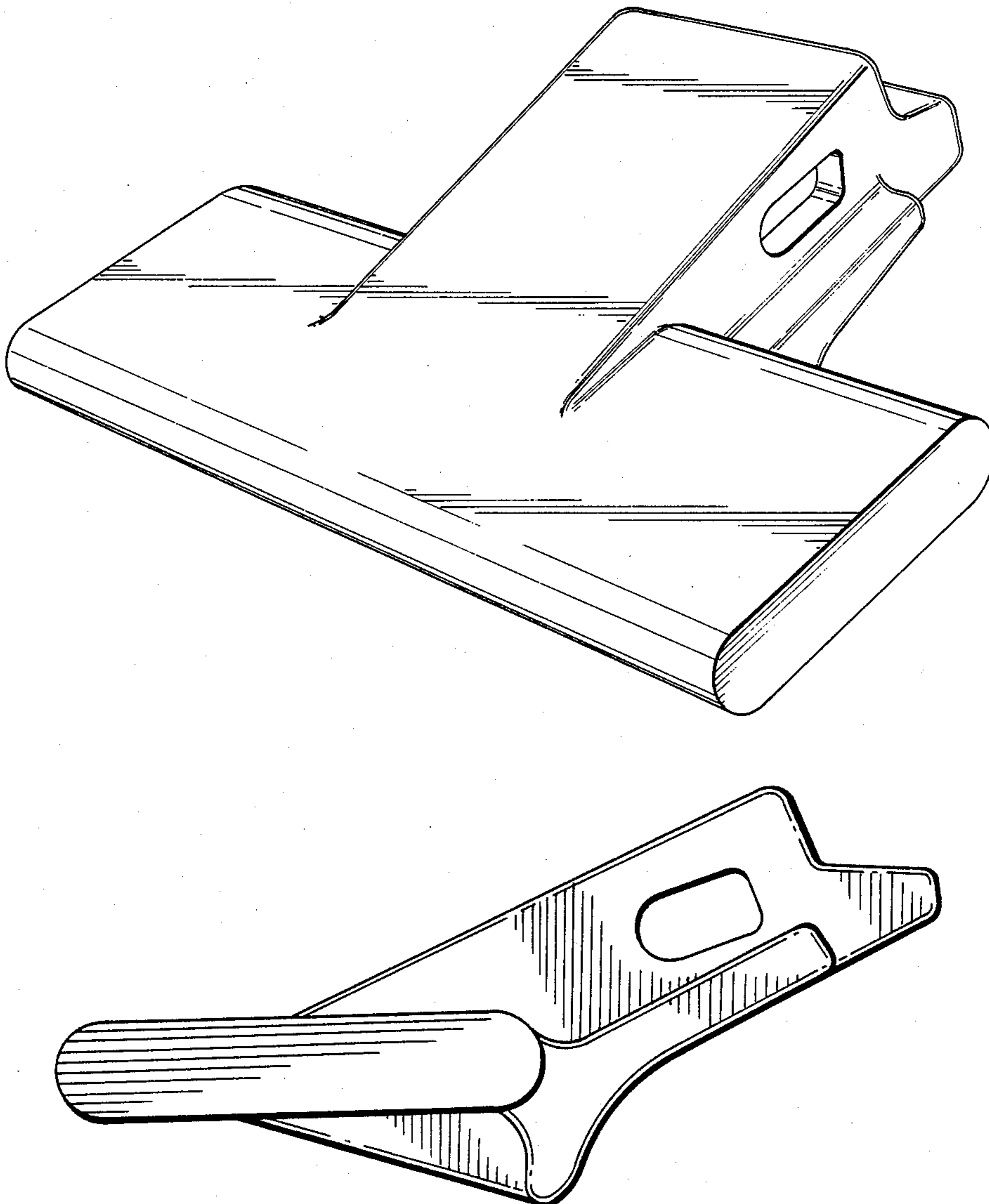
Primary Examiner—Wallace R. Burke
Assistant Examiner—Ruth Takemoto
Attorney, Agent, or Firm—Pollock, Vande Sande & Priddy

[57] **CLAIM**

The ornamental design for a loader tooth for earth moving machines, as shown.

DESCRIPTION

FIG. 1 is a top, front and right side elevational view of a loader tooth for earth moving machines showing my new design;
FIG. 2 is a top, rear and left side elevational view thereof;
FIG. 3 is a bottom plan view thereof; and
FIG. 4 is a right side elevational view thereof.



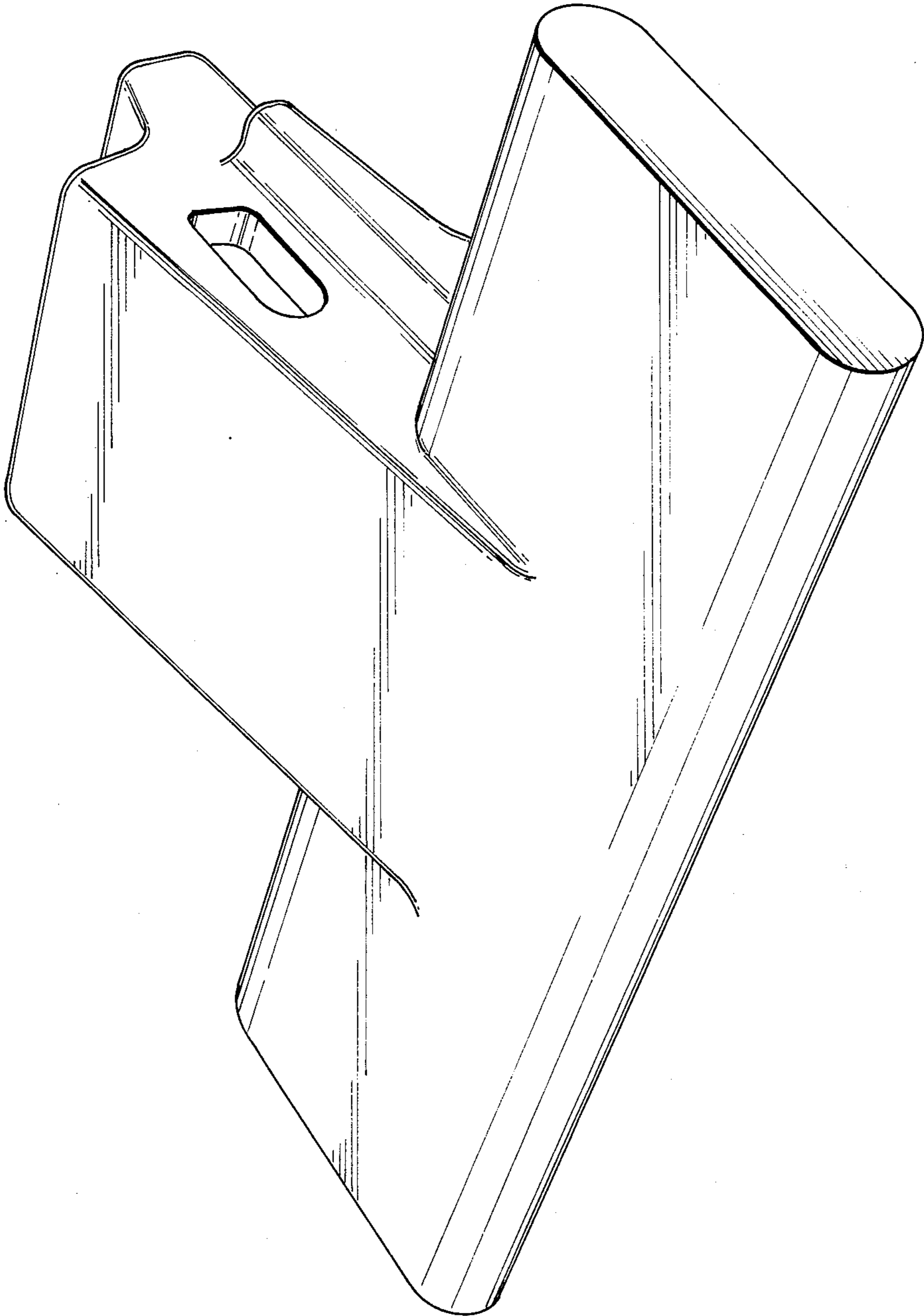


FIG 1

FIG 2

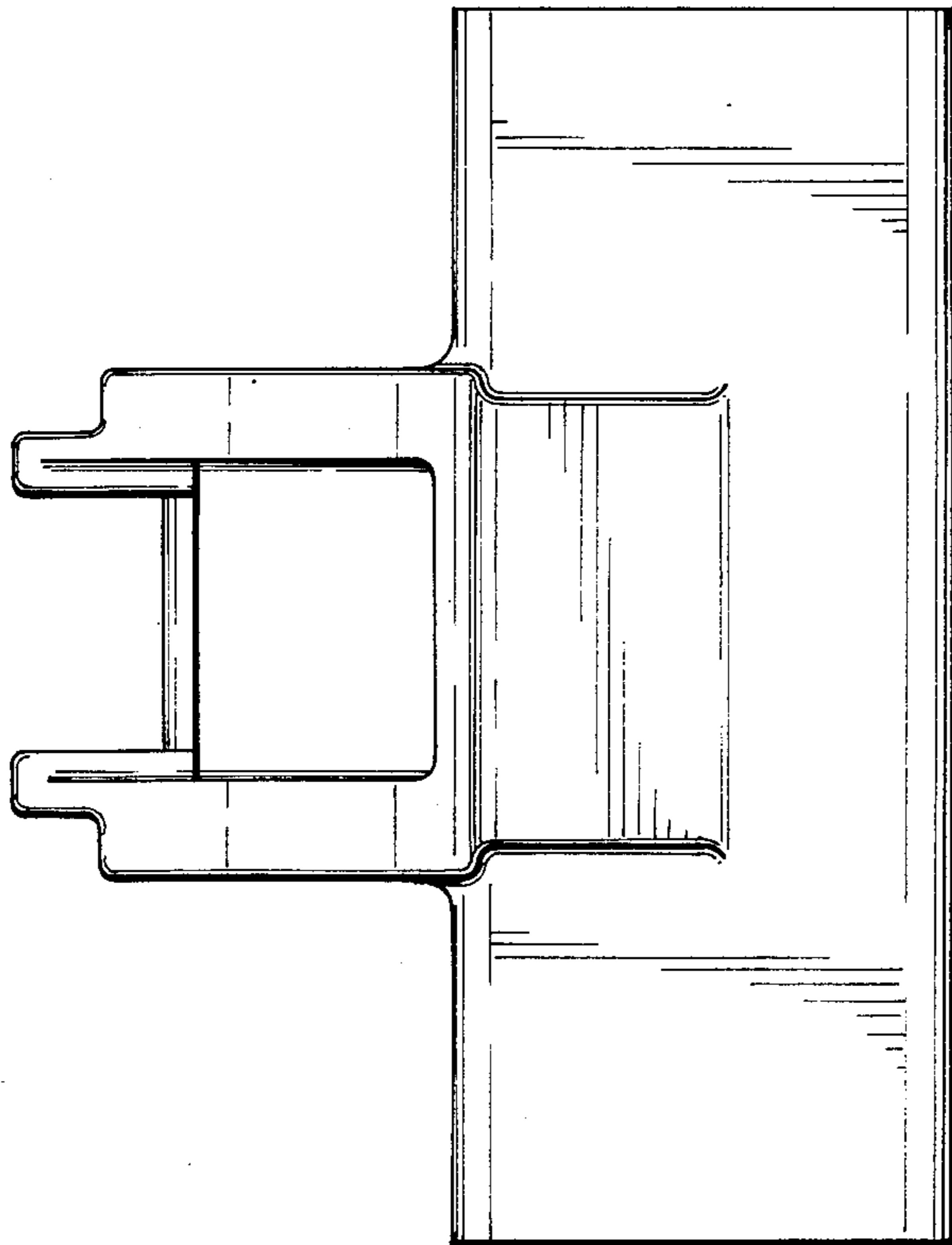
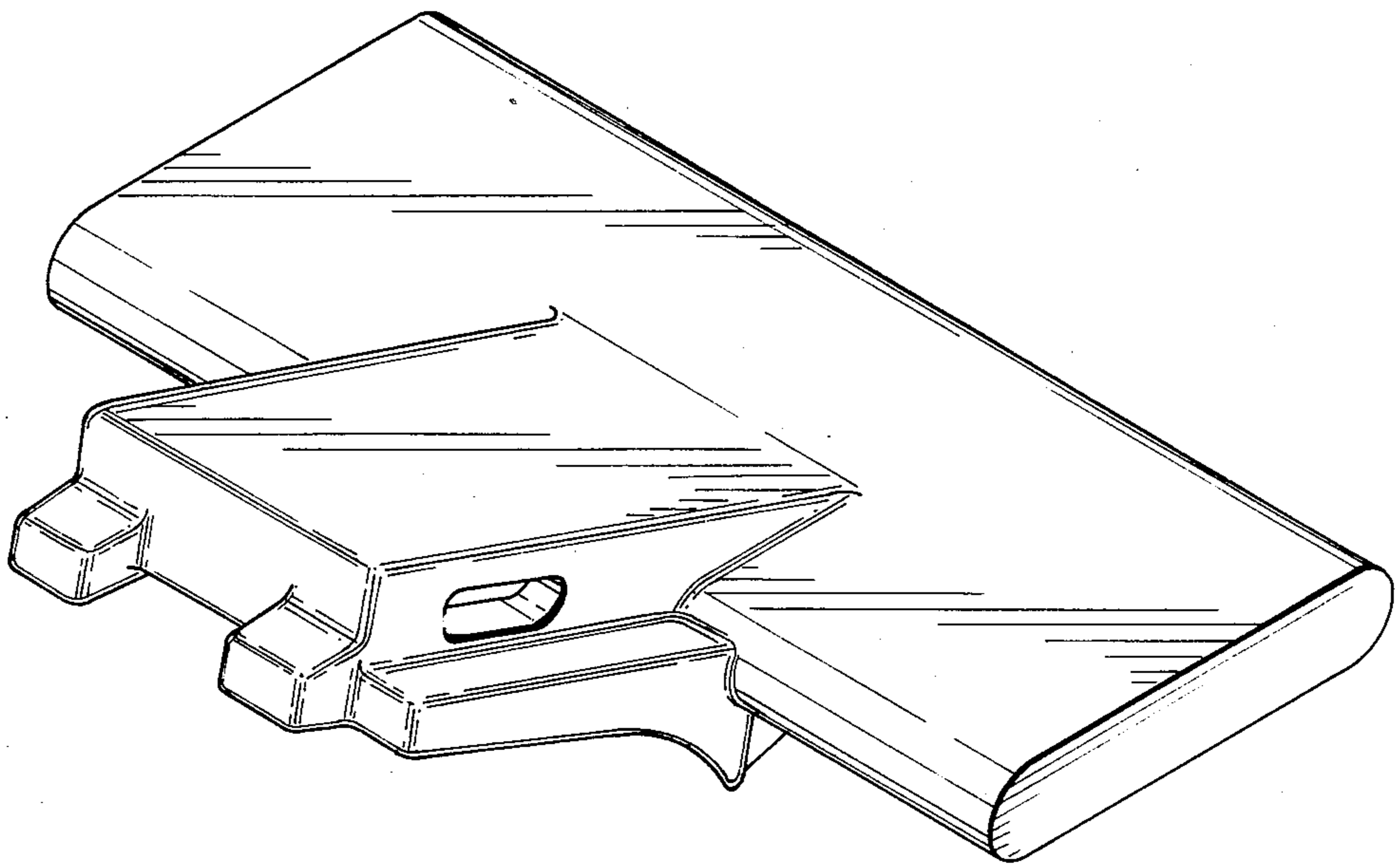


FIG 3

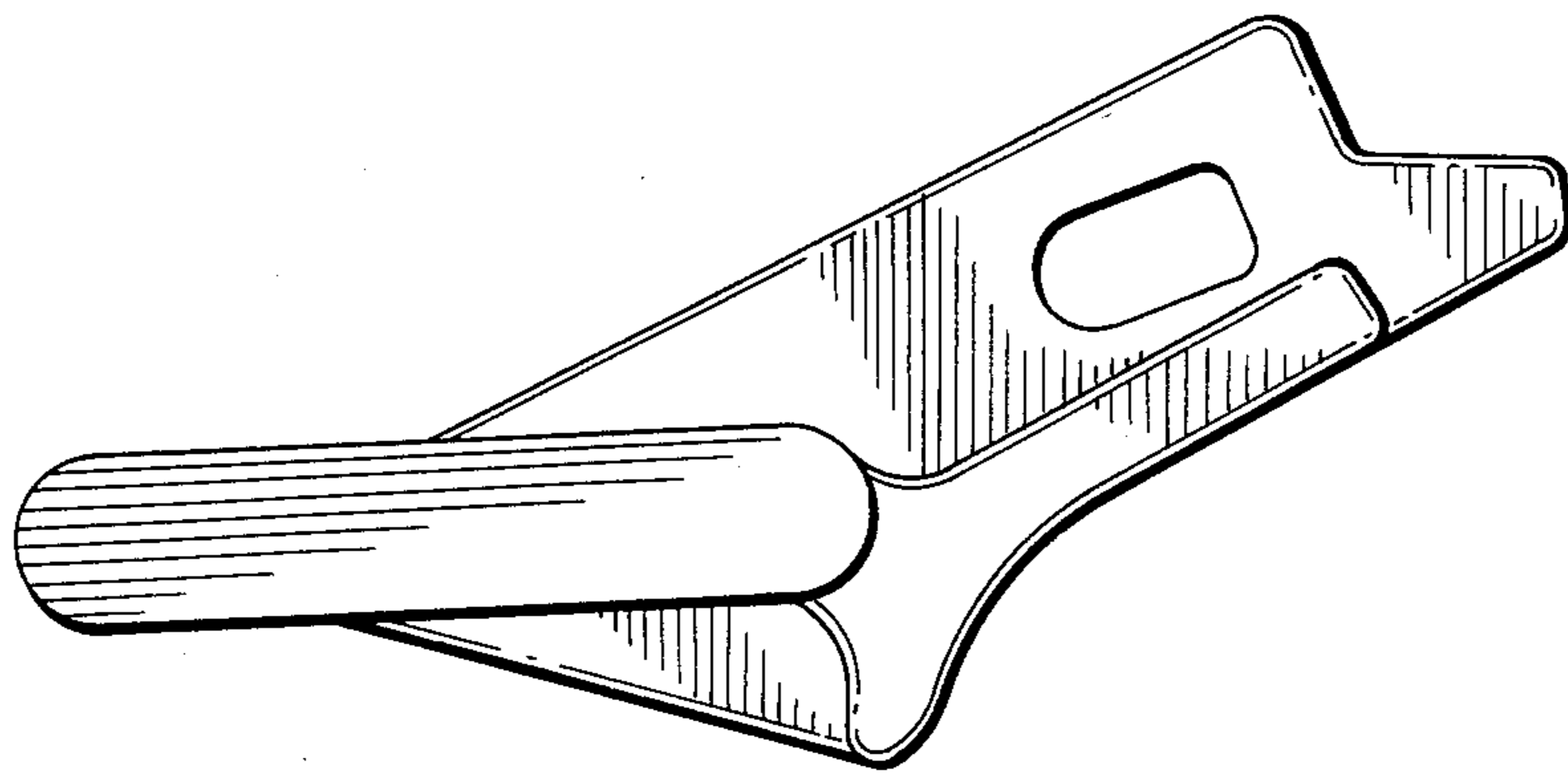


FIG 4