

[54] RIDING LAWN MOWER

D. 248,397 7/1978 Cognata et al. .... D15/15  
D. 285,078 8/1986 Mizushima et al. .... D15/15

[75] Inventors: Hiroyuki Ogasawara, Osaka;  
Fumihiko Ikeda, Uriwari higashi;  
Yutaka Nakata, Sakai, all of Japan

OTHER PUBLICATIONS

W. W. Grainger, Inc., No. 338, Spring 1974, p. 306 "8 HP, 34" Tractor".

[73] Assignee: Kubota, Ltd., Osaka, Japan

Primary Examiner—Wallace R. Burke  
Assistant Examiner—Ruth Takemoto  
Attorney, Agent, or Firm—Jordan and Hamburg

[\*\*] Term: 14 Years

[21] Appl. No.: 841,390

[57] CLAIM

[22] Filed: Mar. 18, 1986

The ornamental design of a riding lawn motor, as shown and described.

[30] Foreign Application Priority Data

Sep. 27, 1985 [JP] Japan ..... 60-40761

DESCRIPTION

[52] U.S. Cl. .... D15/15

[58] Field of Search ..... D15/10-12,  
D15/15, 22-23, 25-26, 28, 30-33; 180/89.12,  
89.1, 89.19; 56/DIG. 22, 195, 202, 320.2, 320.1,  
13.4

FIG. 1 is a right side elevational view of a riding lawn mower showing our new design;  
FIG. 2 is a left side elevational view thereof;  
FIG. 3 is a top plan view thereof;  
FIG. 4 is a front elevational view thereof; and  
FIG. 5 is a rear elevational view thereof.

[56] References Cited

U.S. PATENT DOCUMENTS

D. 230,046 1/1974 Manofsky ..... D15/15

The tires shown in broken lines in FIGS. 1-5 are for illustrative purposes only and form no part of the claimed design.

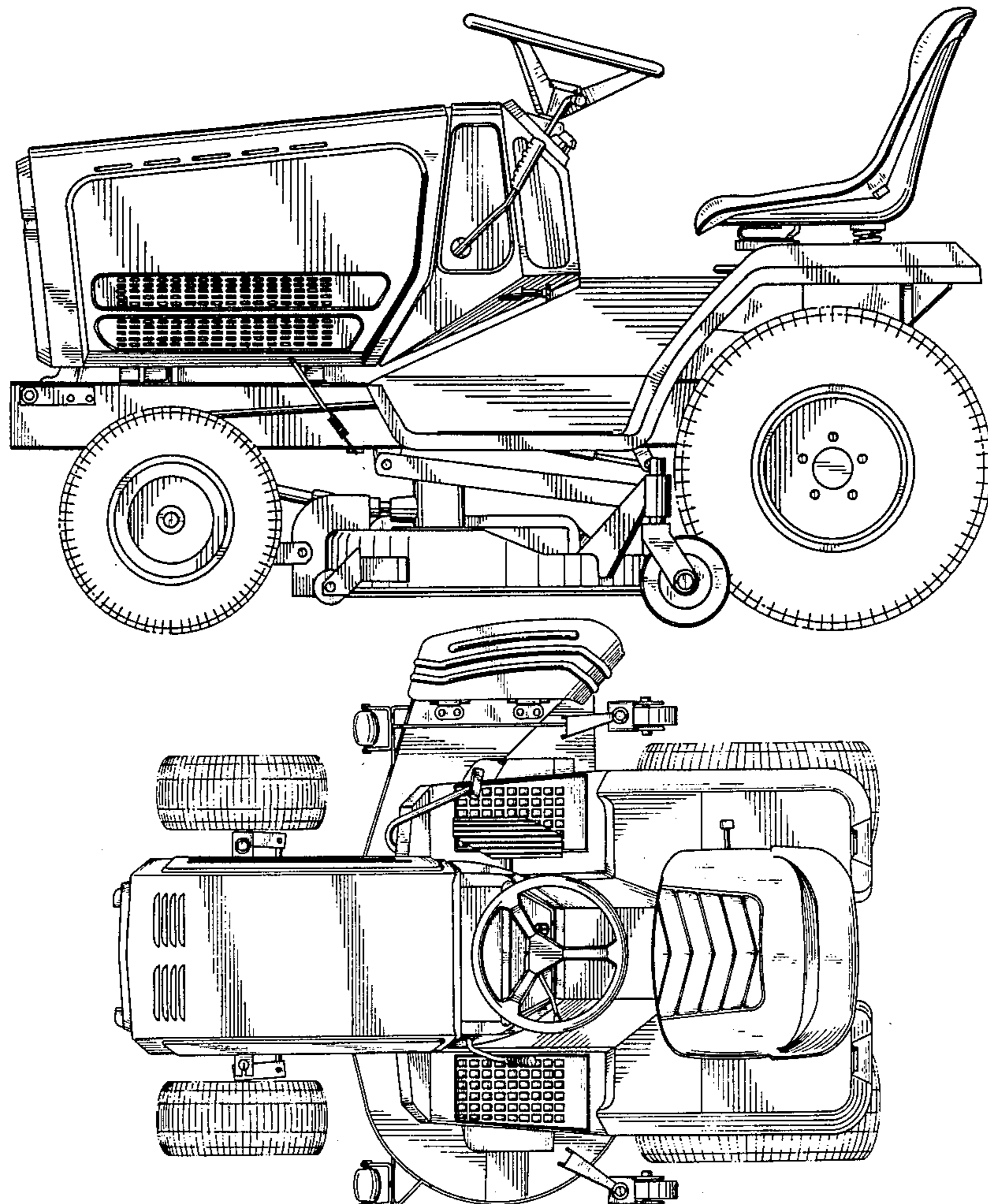


Fig. 1

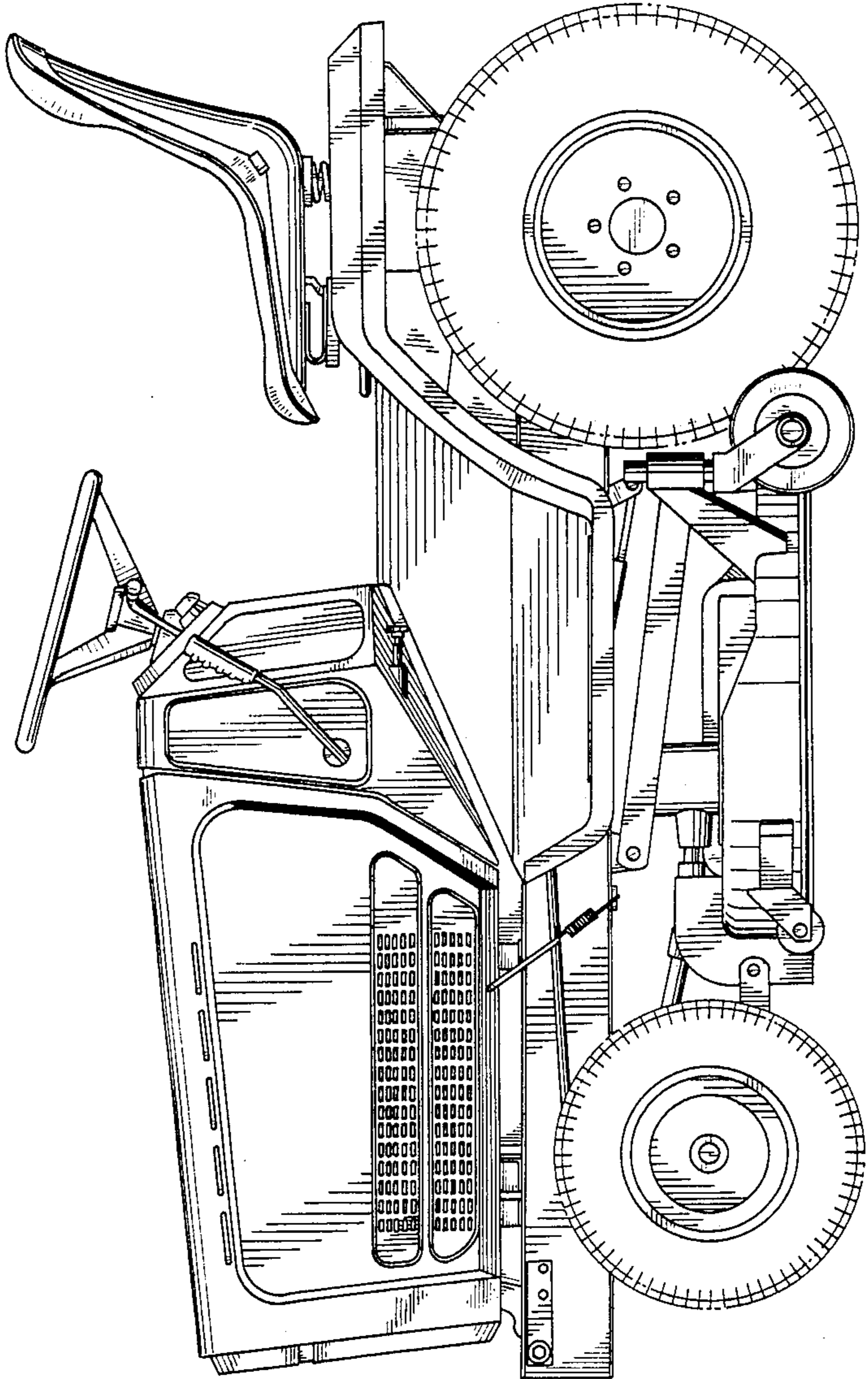


Fig. 2

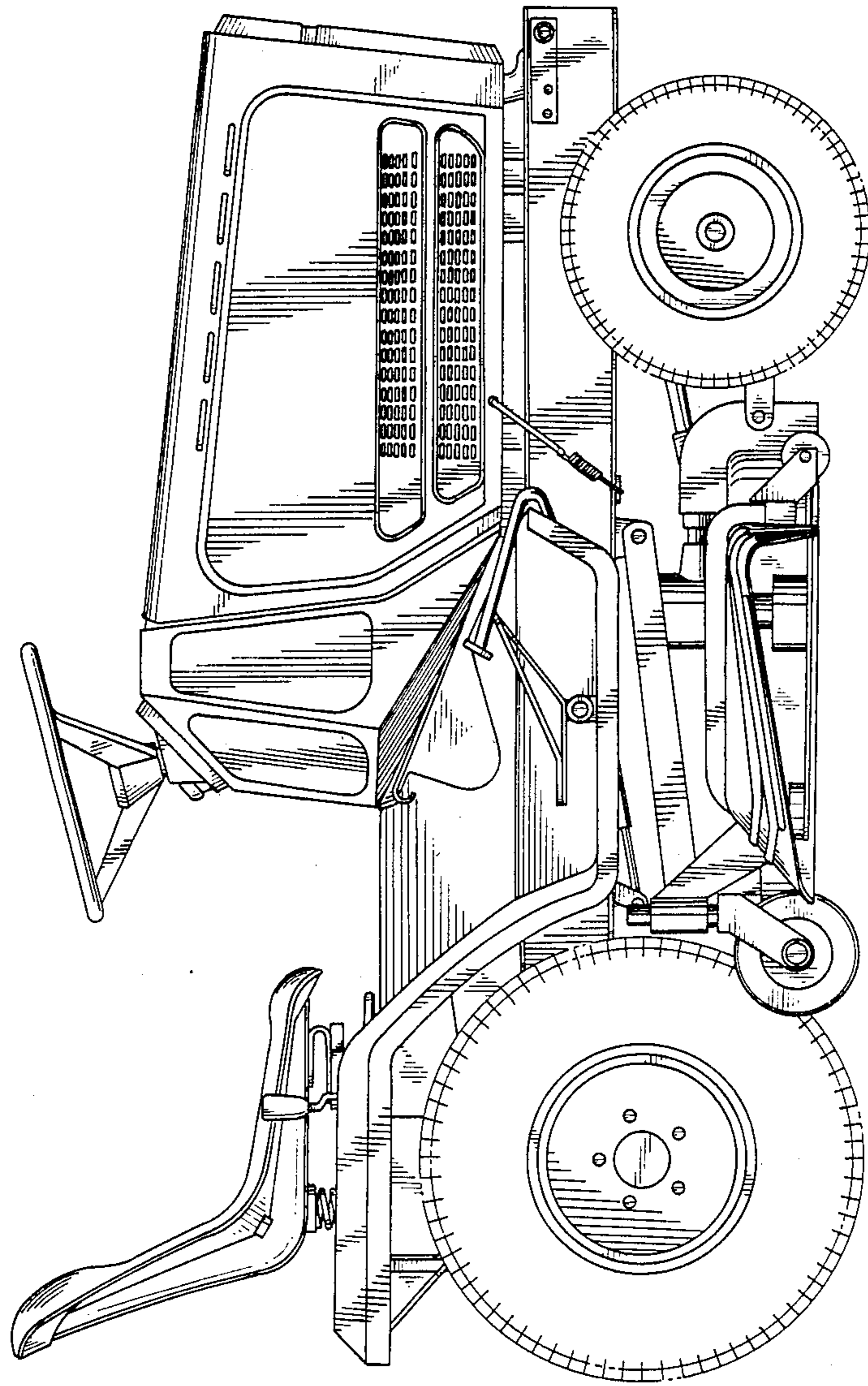


Fig. 3

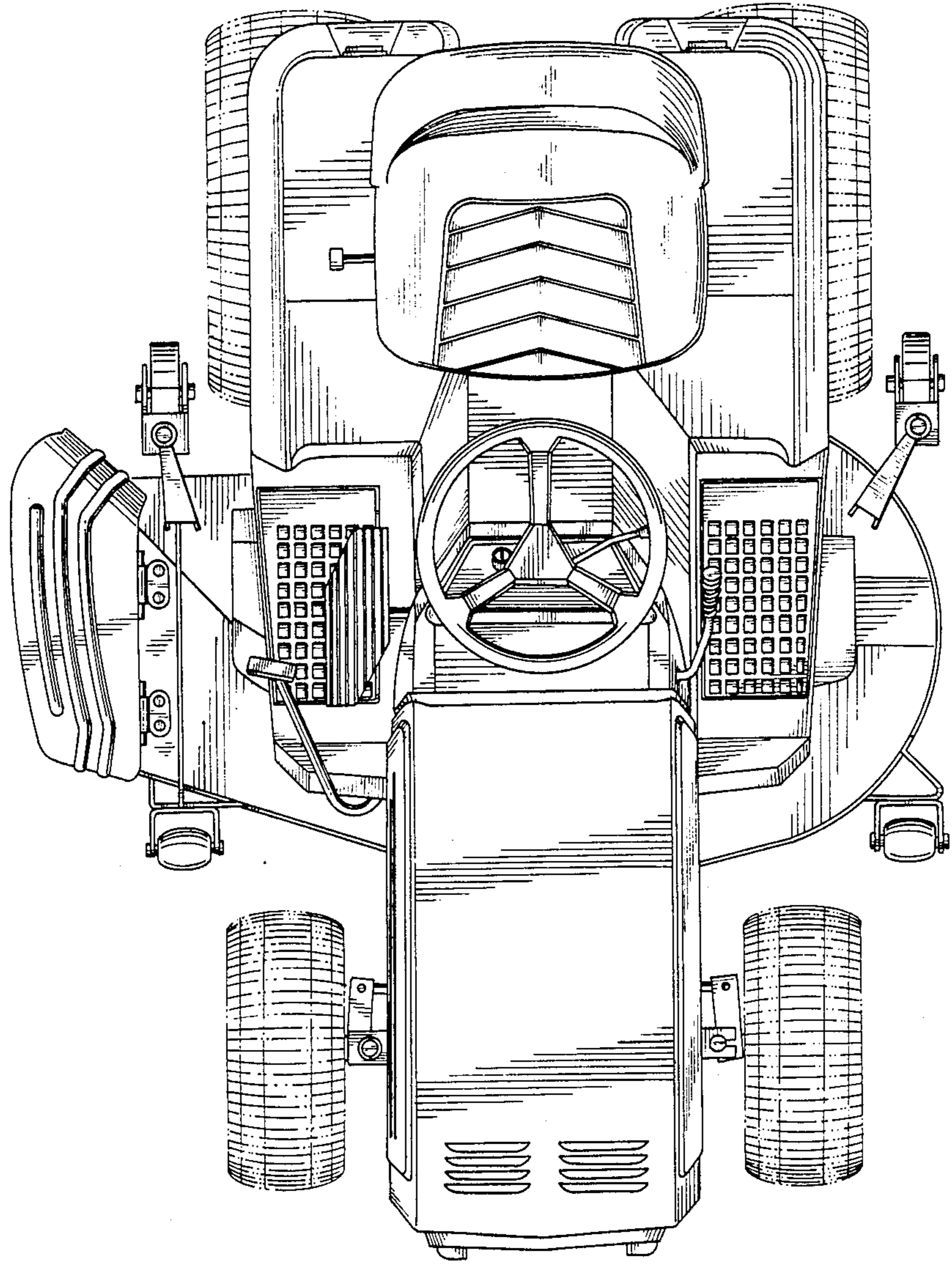


Fig. 4

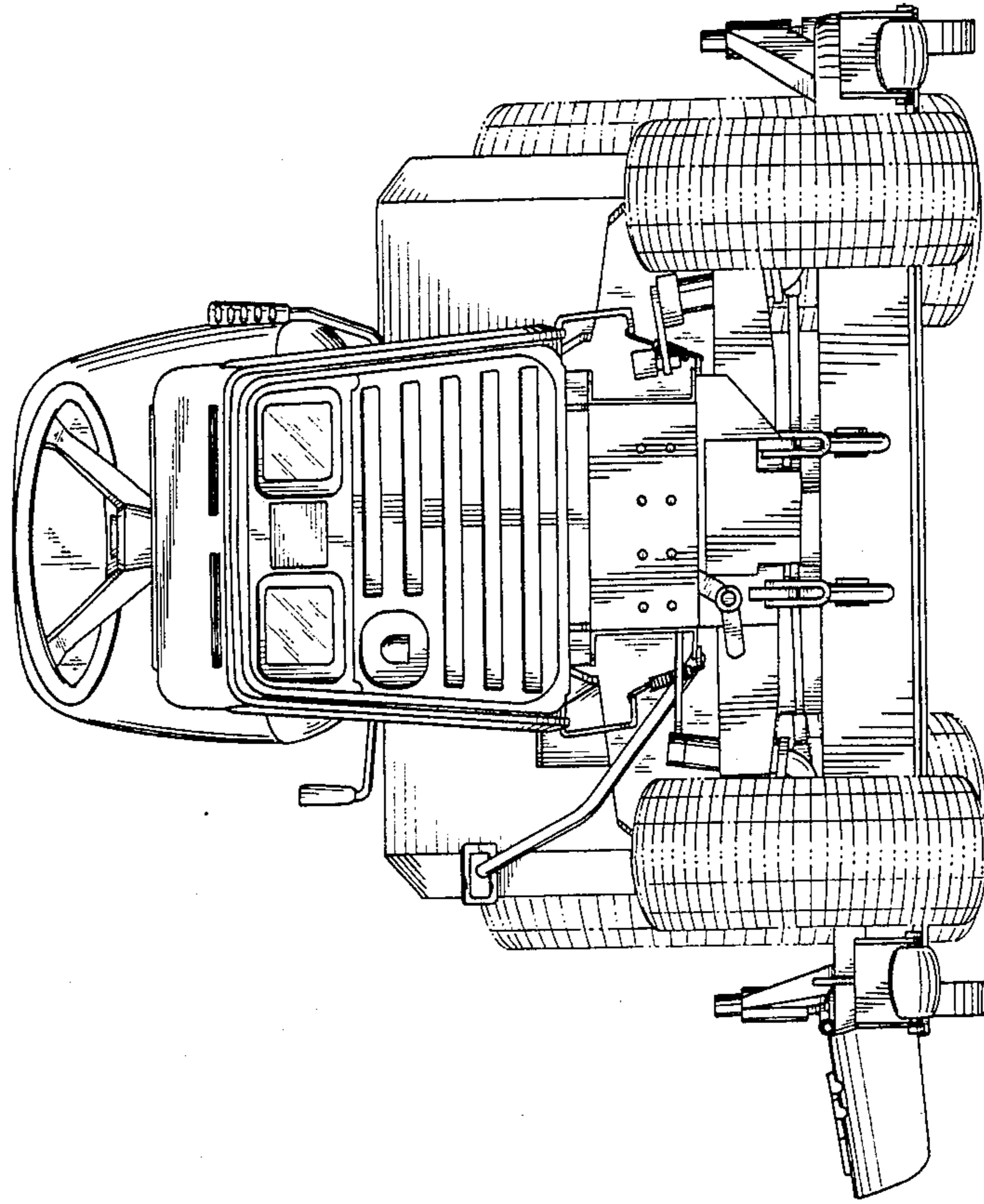


Fig. 5

