

[54] POCKET SIZED TELEVISION

[75] Inventor: Yutaka Ohtsu, Kanagawa, Japan

[73] Assignee: Citizen Watch Co., Ltd., Tokyo, Japan

[\*\*] Term: 14 Years

[21] Appl. No.: 872,422

[22] Filed: Jun. 9, 1985

[30] Foreign Application Priority Data

Dec. 24, 1985 [JP] Japan ..... 60-53629

[52] U.S. Cl. .... D14/77; D14/79; D41/80

[58] Field of Search ..... D14/77, 79-83, D14/99; 358/254, 255; 312/7.2; D16/14, 18

[56] References Cited

U.S. PATENT DOCUMENTS

D. 288,321 2/1987 Ohtsu ..... D14/77  
D. 294,576 3/1988 Okamoto ..... D14/79

OTHER PUBLICATIONS

Popular Science, Jan. 1986, p. 65, LCD Color TV.

Primary Examiner—Bernard Ansher  
Assistant Examiner—Theodore M. Shooman  
Attorney, Agent, or Firm—Koda and Androlia

[57] CLAIM

The ornamental design for a pocket sized television, as shown and described.

DESCRIPTION

FIG. 1 is a front elevational view of a pocket sized television showing my new design; FIG. 2 is a rear elevational view thereof; FIG. 3 is a top plan view thereof; FIG. 4 is a bottom plan view thereof; FIG. 5 is a left side elevational view thereof; FIG. 6 is a right side elevational view thereof; FIG. 7 is a front, bottom and right side perspective view thereof; and FIG. 8 is a front, bottom and right side perspective view thereof with the cover open and antenna raised.

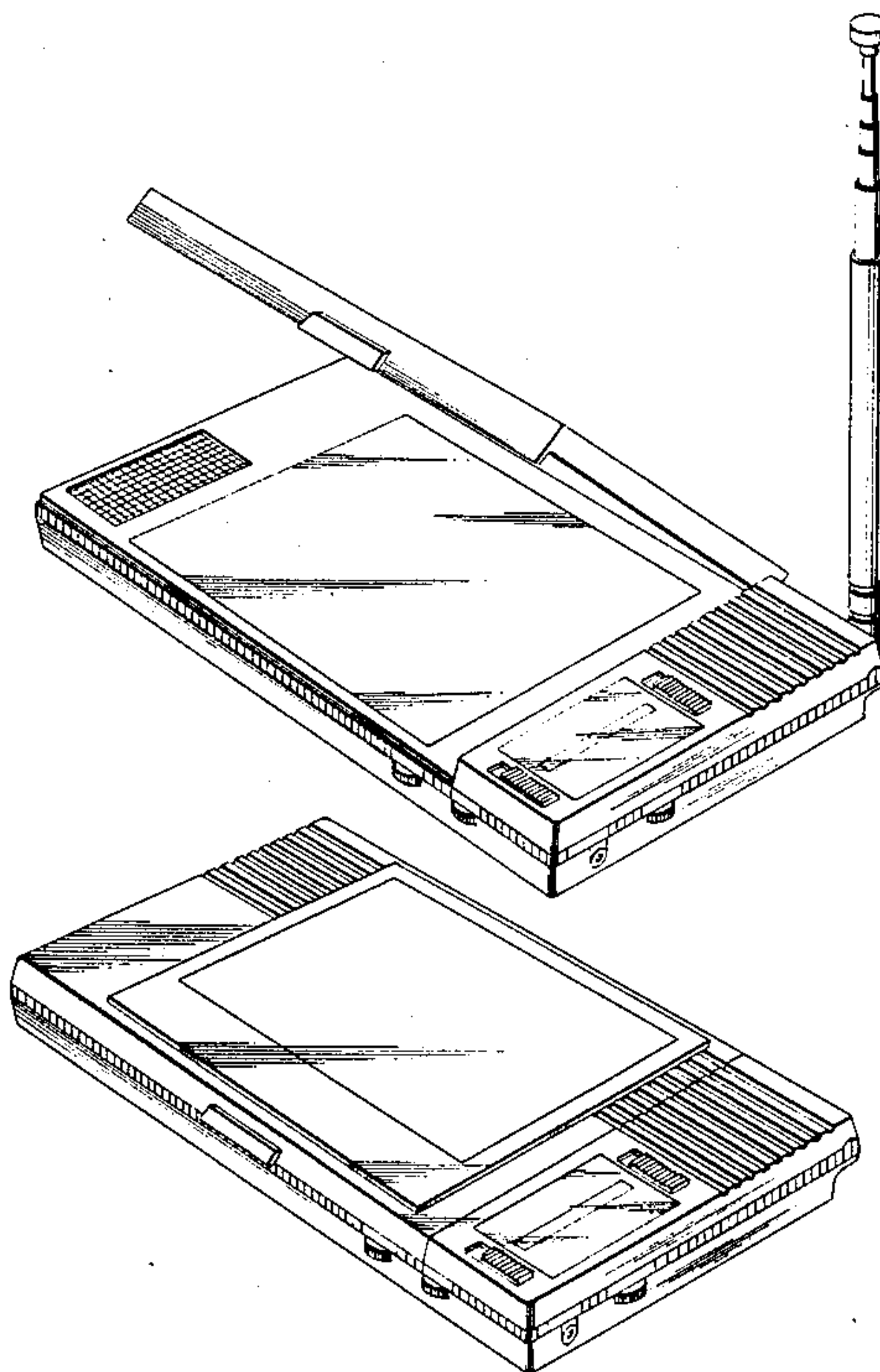


FIG. 1

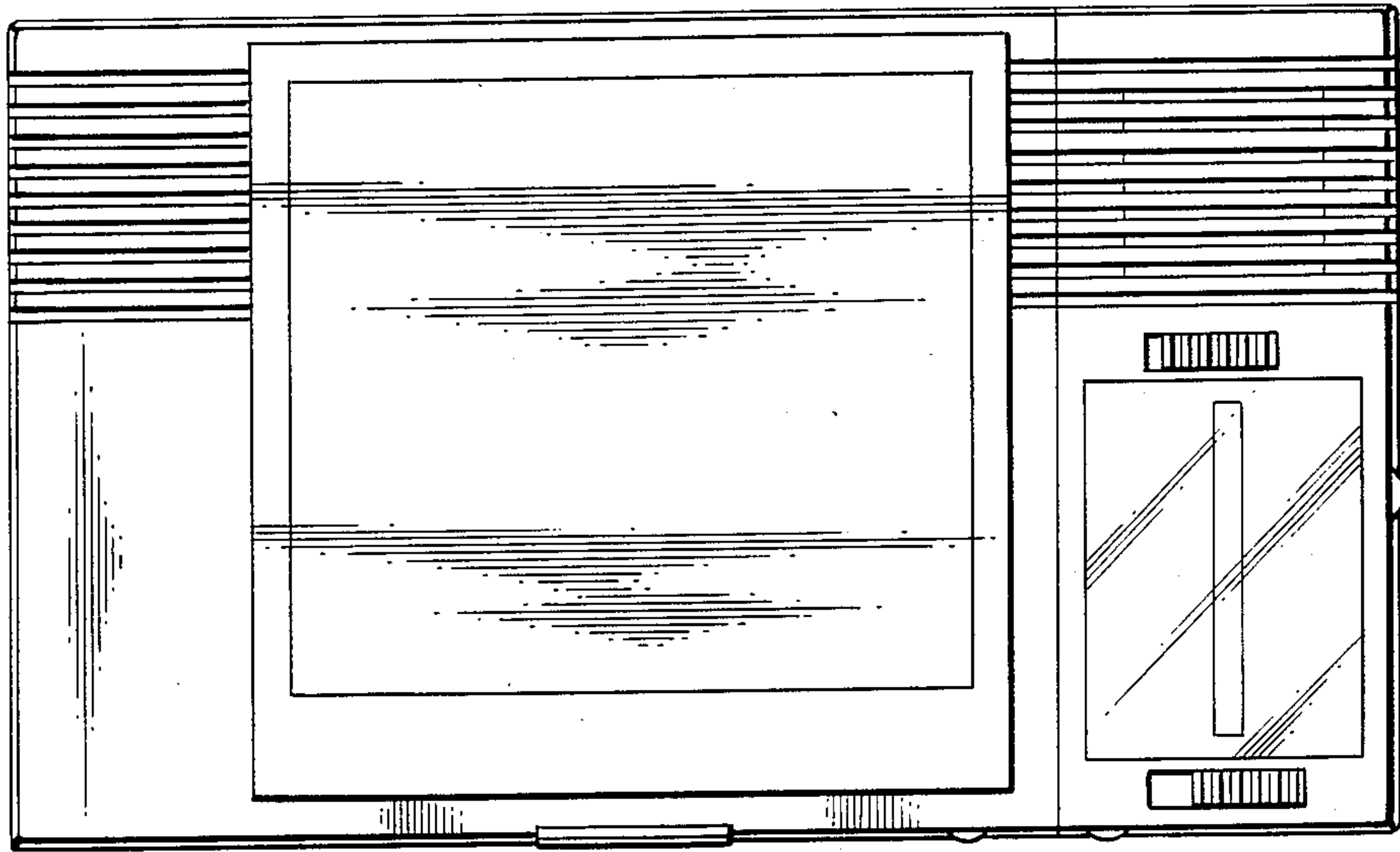


FIG. 2

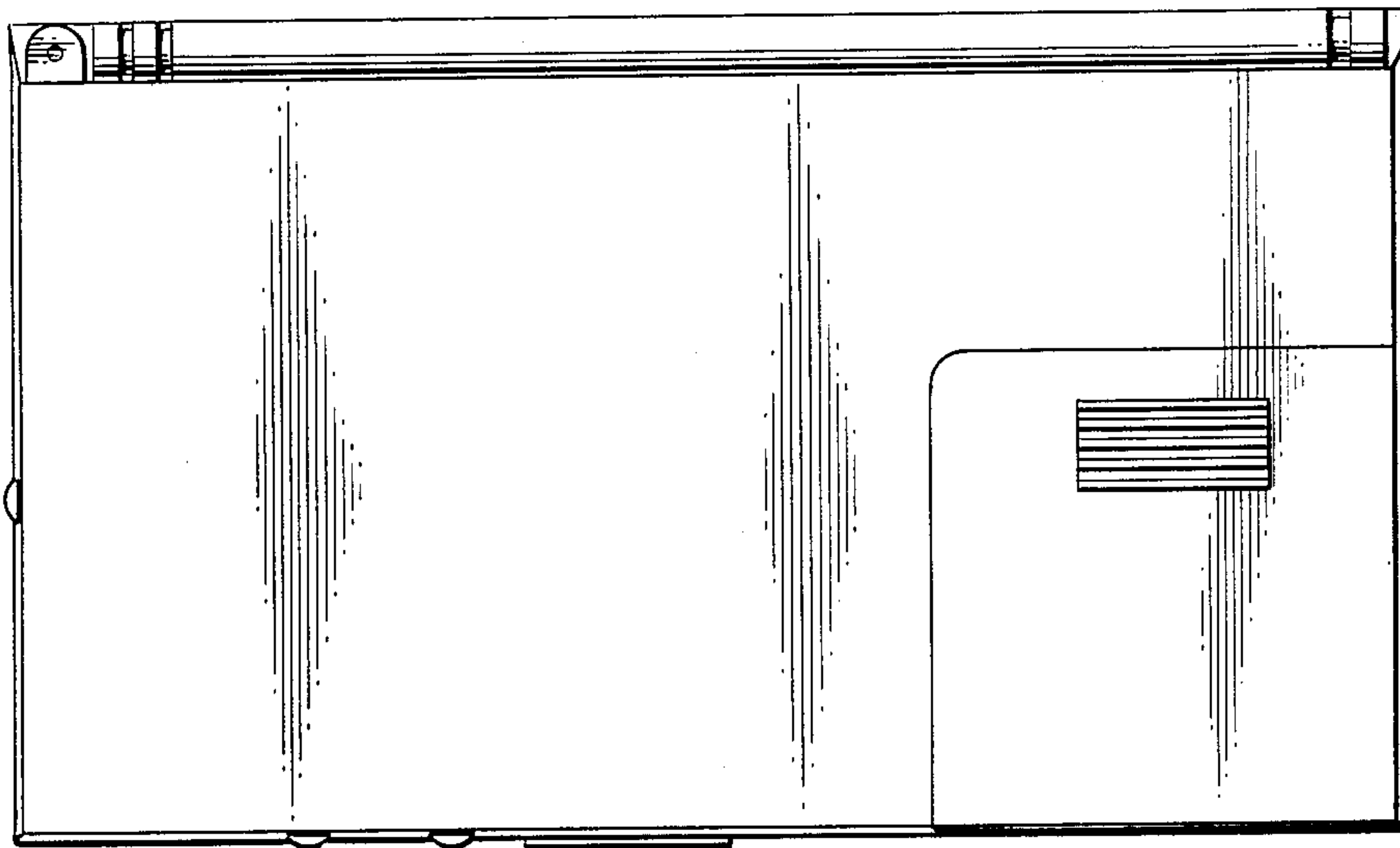


FIG. 3

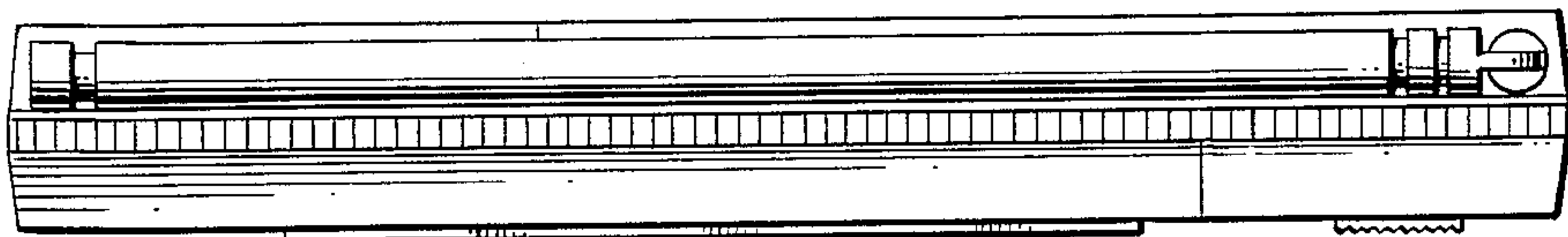
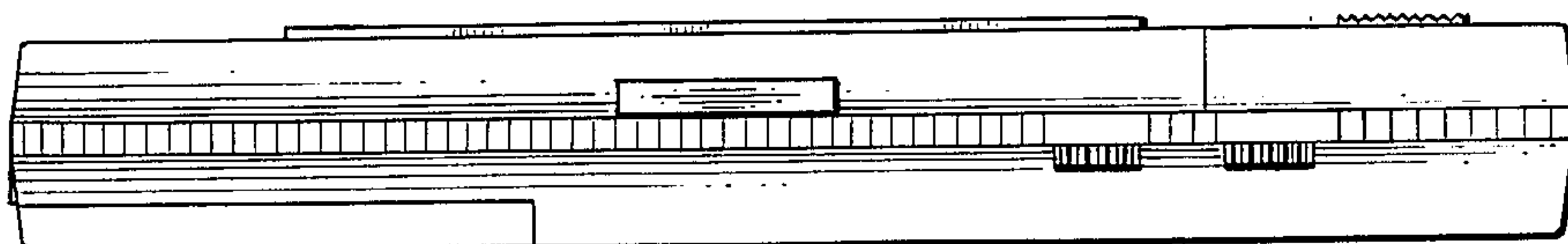


FIG. 4



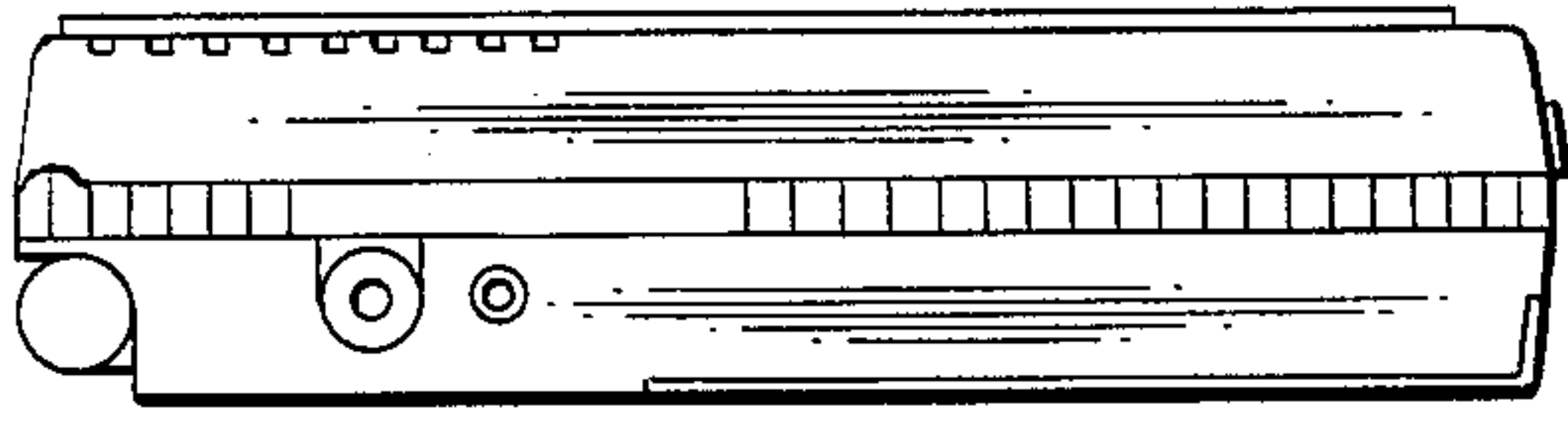


FIG. 5

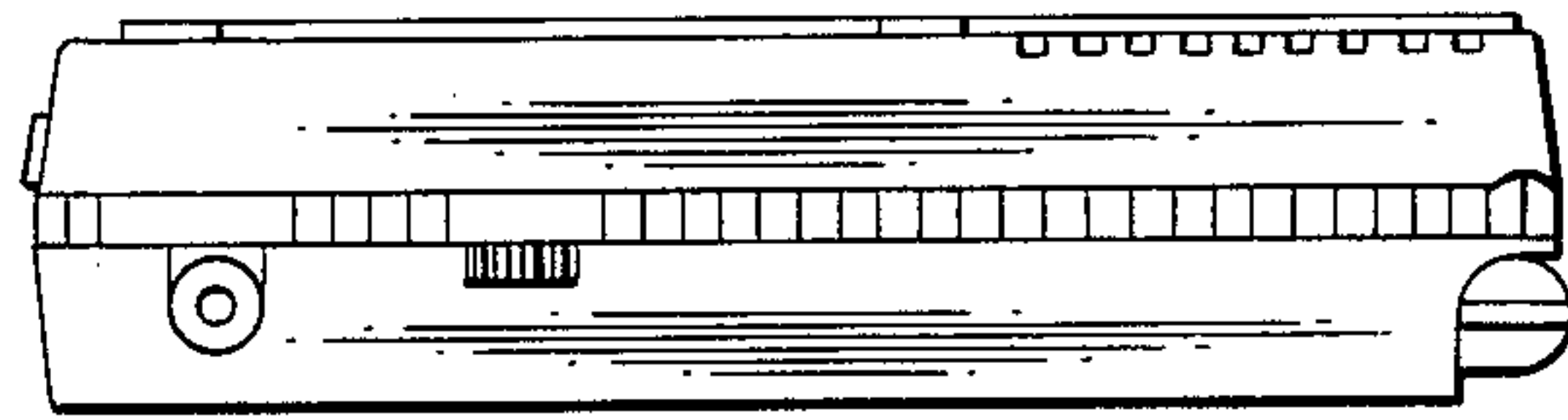


FIG. 6

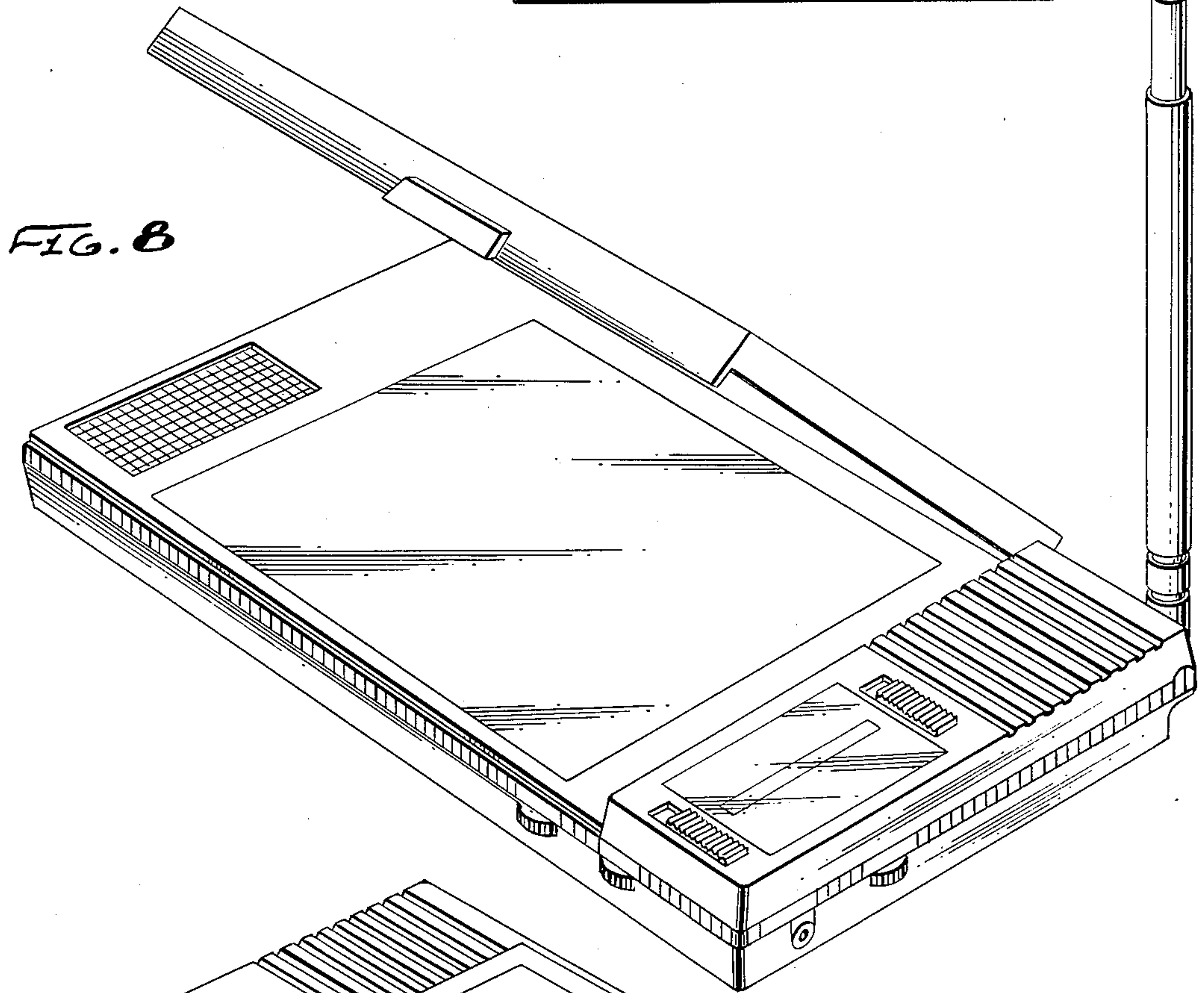


FIG. 8

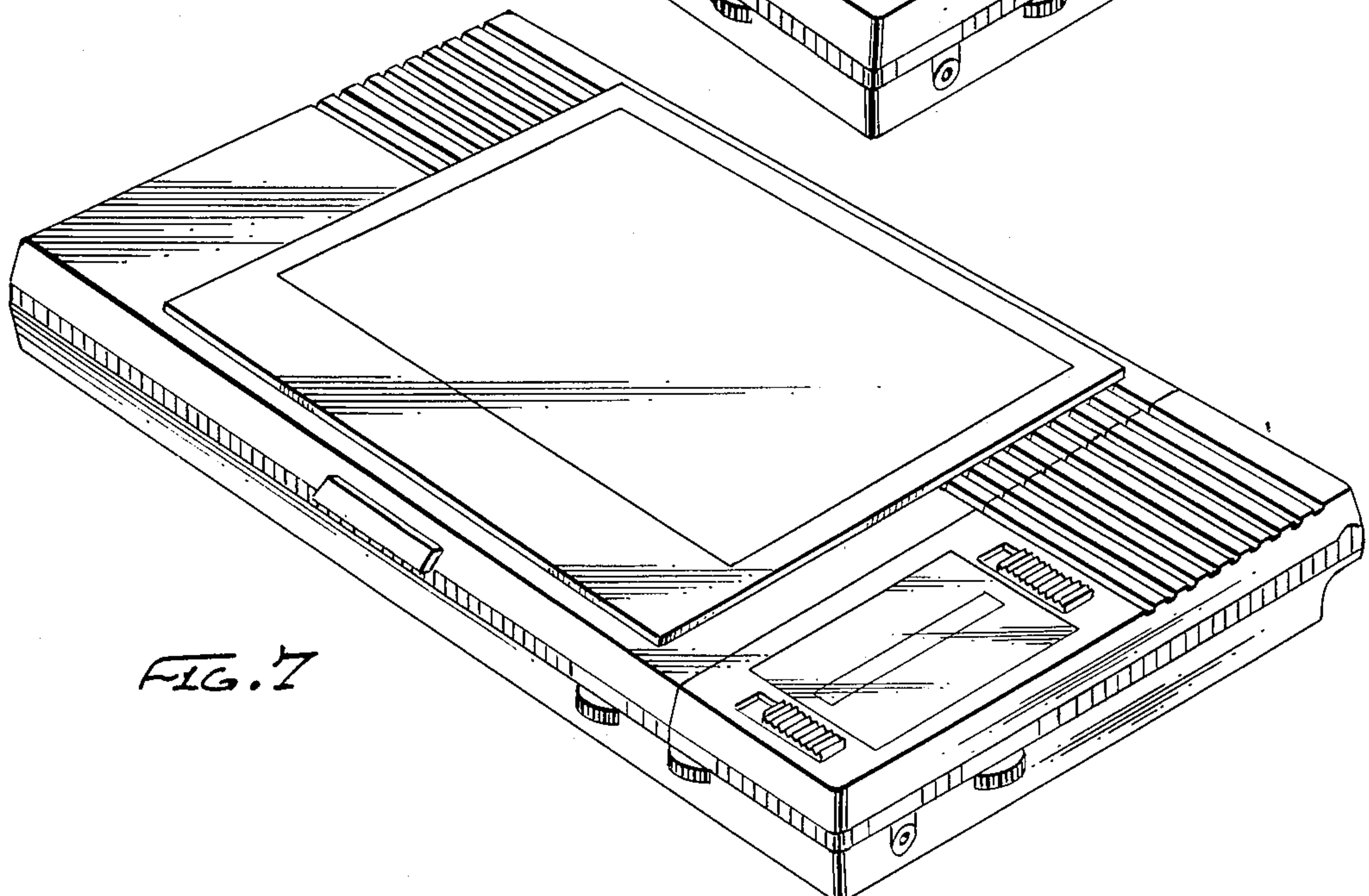


FIG. 7