

[54] **LIGHTED AUTOMOBILE CEILING
CONSOLE CONTAINING DIGITAL CLOCK,
COMPASS AND THERMOMETER**

[75] **Inventor: Marc R. Iacovelli, Miami, Fla.**

[73] **Assignee: Rally Manufacturing, Inc., Miami,
Fla.**

[**] **Term: 14 Years**

[21] **Appl. No.: 868,347**

[22] **Filed: May 29, 1986**

[52] **U.S. Cl. D12/155; D10/2;
D10/53; D10/68**

[58] **Field of Search D12/155, 192; D10/53,
D10/68, 2, 4, 5; D26/51, 54; 374/141, 142, 143;
33/354, 355 R; 368/10, 11; 362/253; 180/90**

[56] **References Cited**

U.S. PATENT DOCUMENTS

D. 160,077	9/1950	Eaves	D10/53
D. 246,037	10/1977	Kelly	D12/155
D. 249,262	9/1978	Neece	D12/155
D. 255,431	6/1980	Marmorale	D10/68
D. 260,507	9/1981	Kosugi et al.	D12/155
D. 286,751	11/1986	Hsieh	D10/68
D. 287,942	1/1987	Tanaka	D10/53

D. 287,943 1/1987 Tanaka D10/53

OTHER PUBLICATIONS

J. C. Whitney Catalog No. 458D, ©1985, p. 23, Aircraft-Style Van Overhead Console, top left side of page.

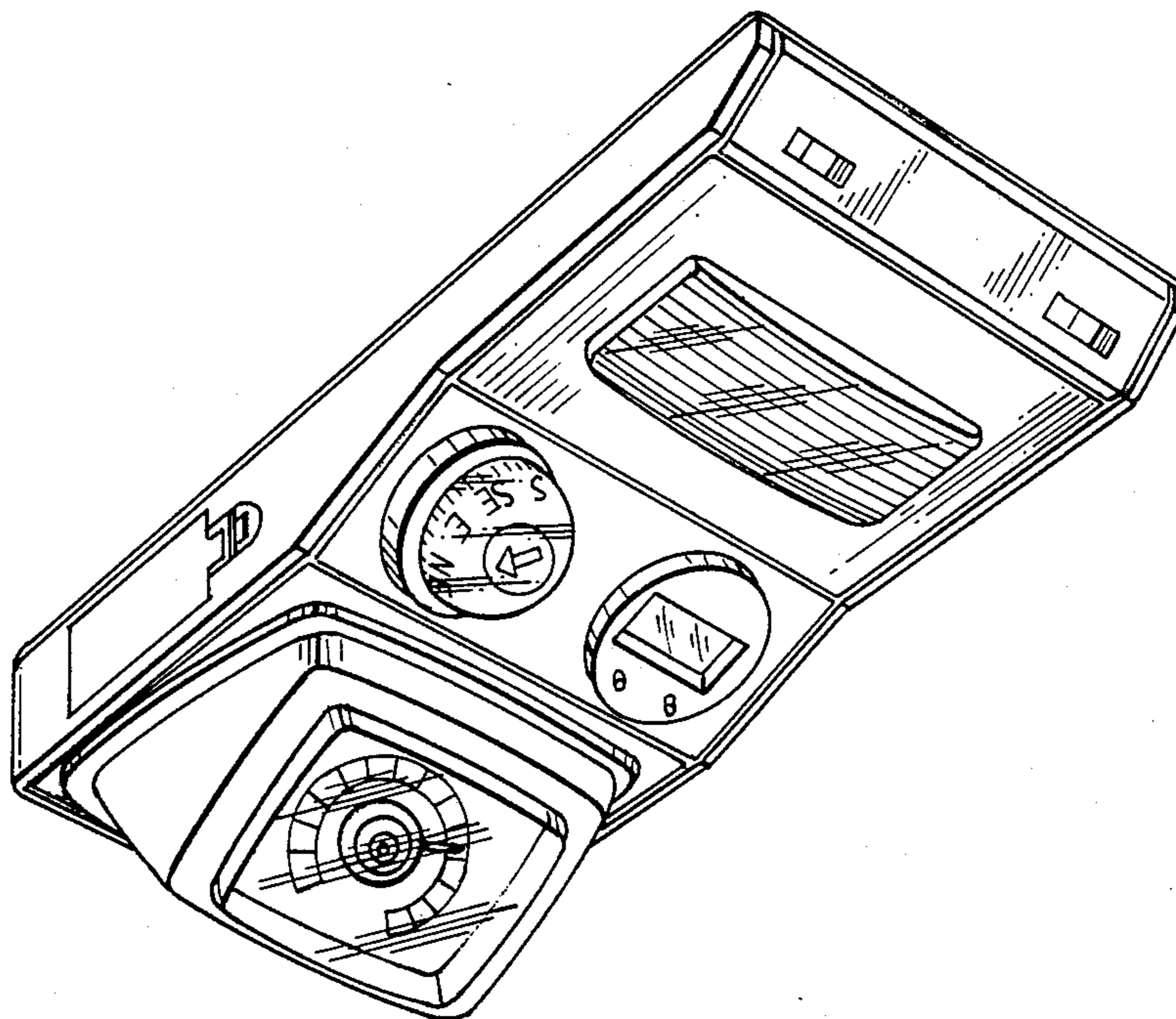
Primary Examiner—James M. Gandy
Attorney, Agent, or Firm—Gilbert L. Wells

[57] **CLAIM**

The ornamental design for a lighted automobile ceiling console containing digital clock, compass and thermometer, as shown.

DESCRIPTION

FIG. 1 is a left front perspective view of a lighted automobile ceiling console containing digital clock, compass and thermometer showing my new design;
FIG. 2 is an enlarged left side elevation view thereof in inverted condition;
FIG. 3 is an enlarged bottom plan view thereof;
FIG. 4 is an enlarged top plan view thereof;
FIG. 5 is an enlarged right side elevation view thereof in inverted condition; and
FIG. 6 is an enlarged rear elevation view thereof in inverted condition.



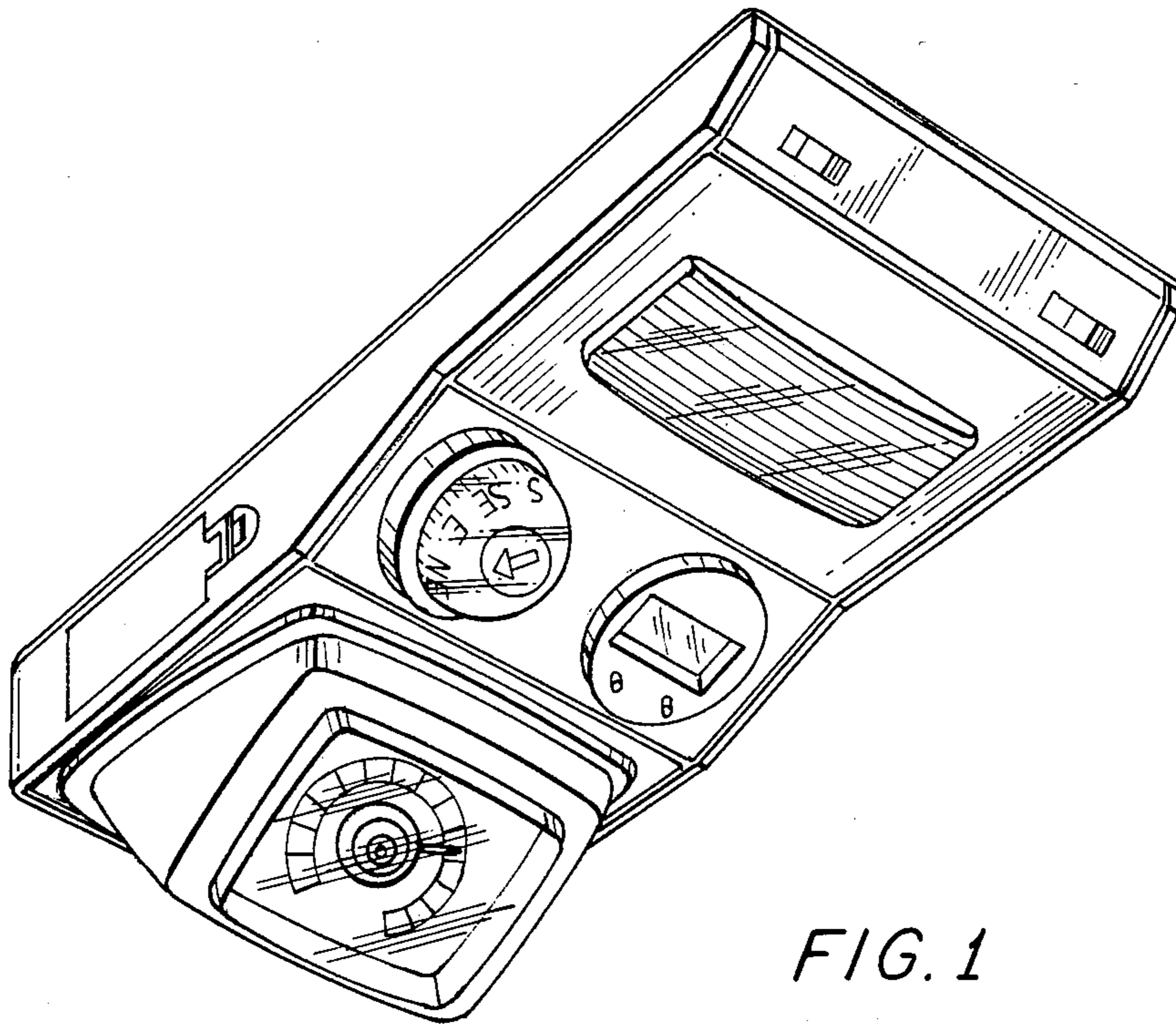


FIG. 1

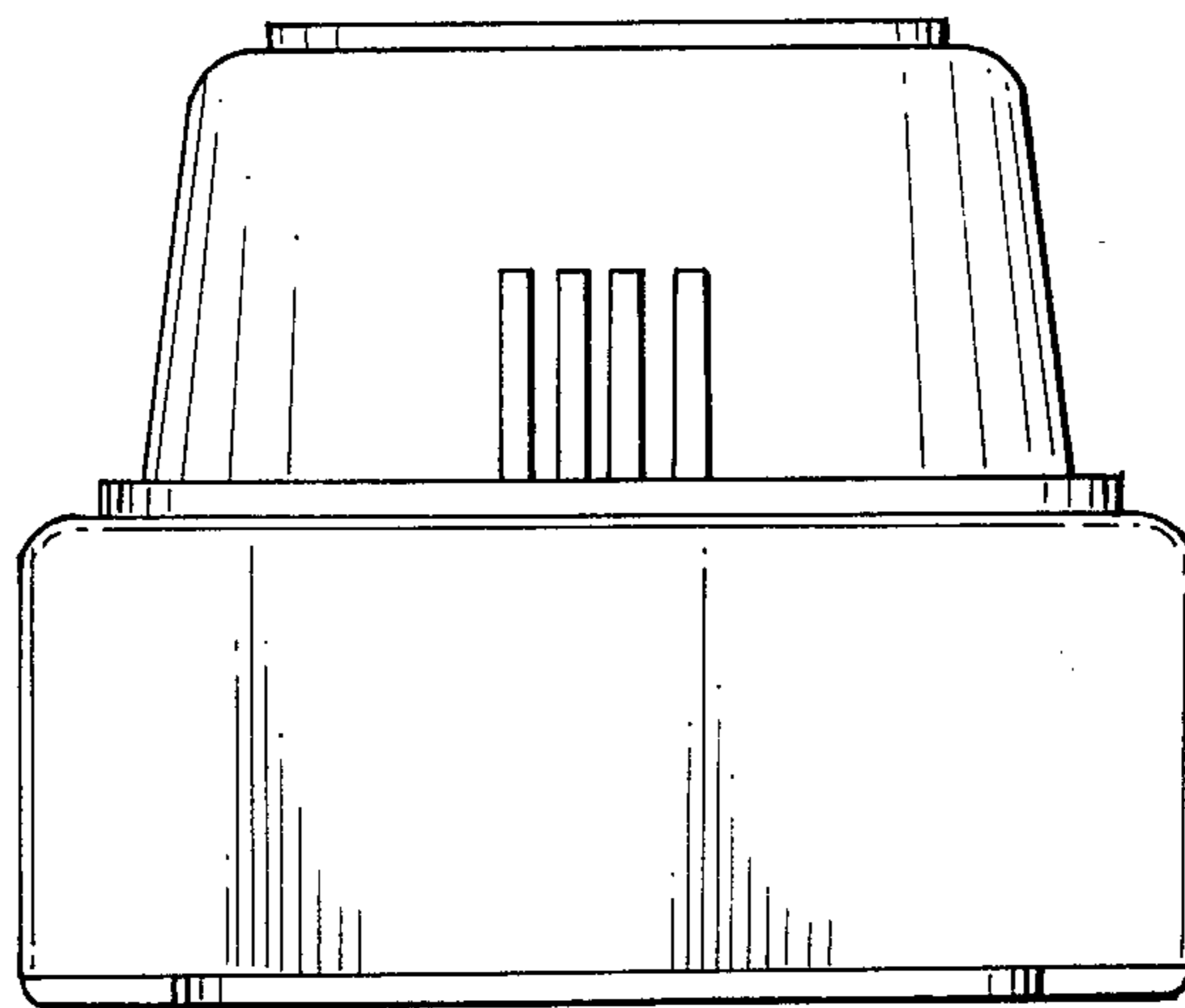


FIG. 6

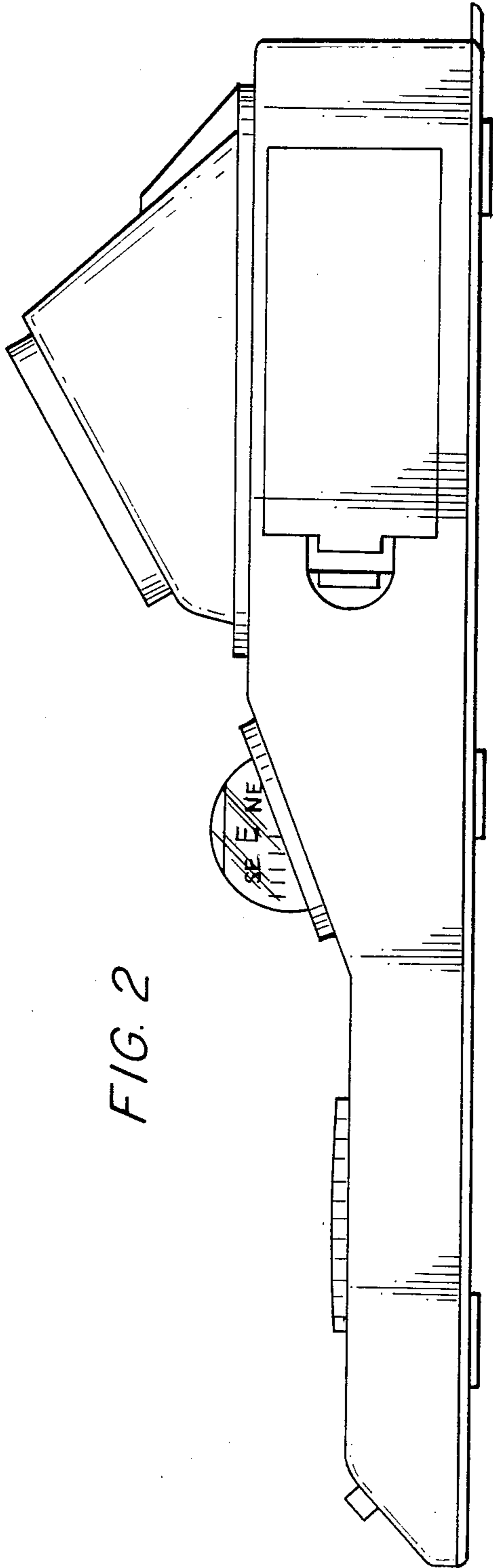
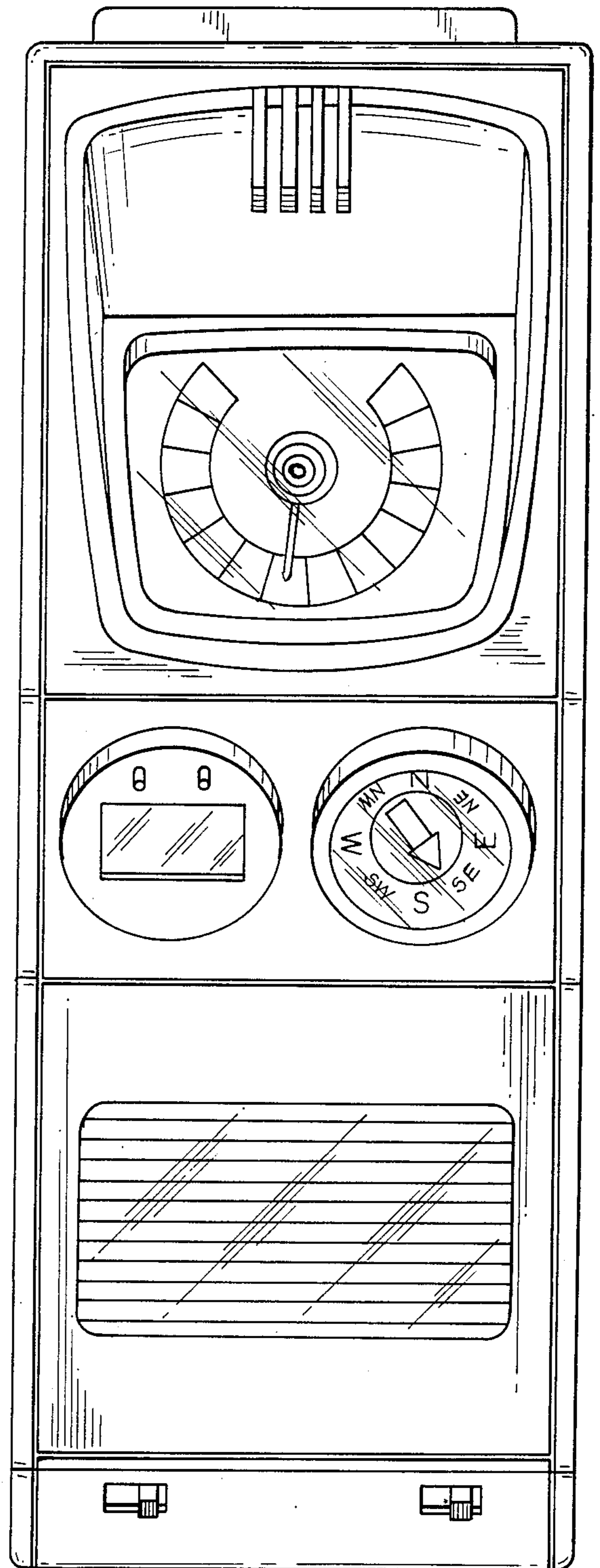


FIG. 3



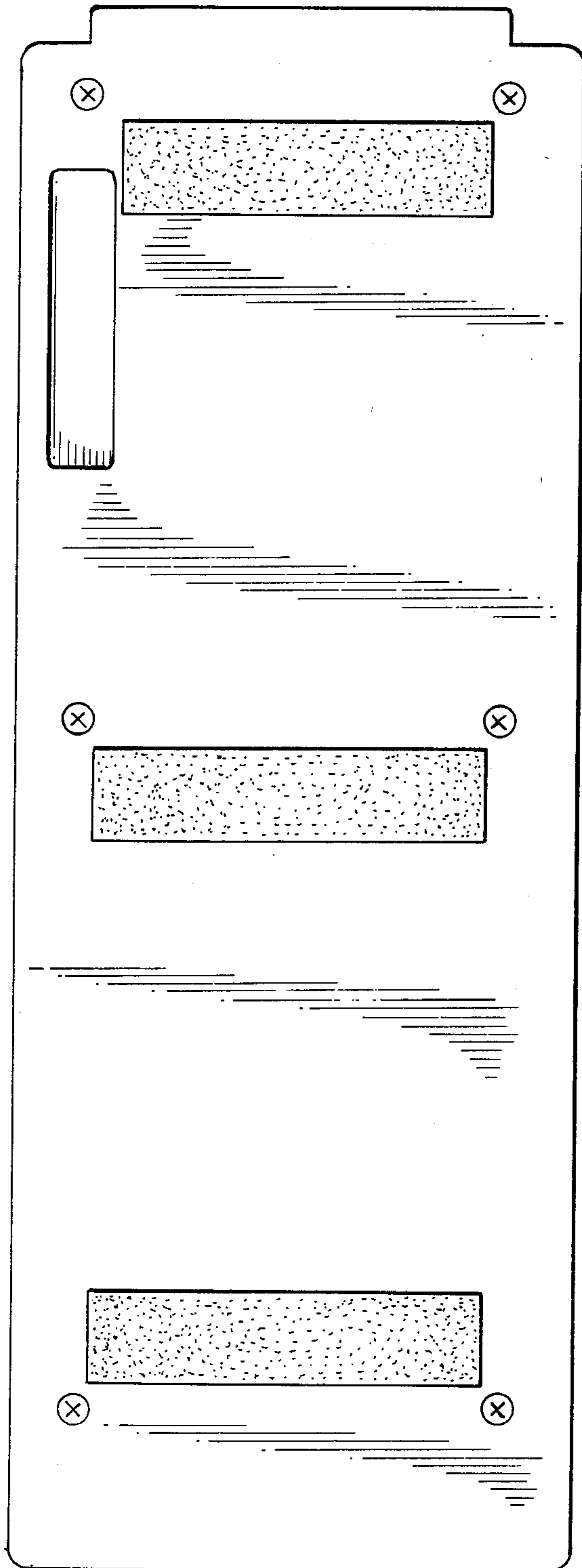


FIG. 4

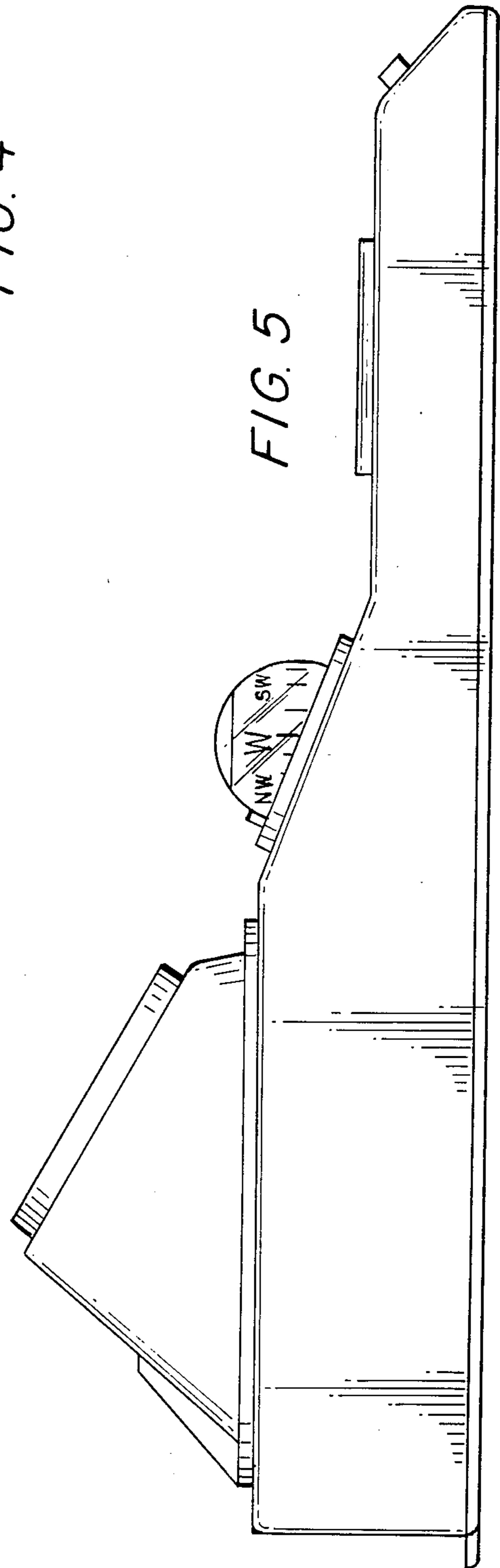


FIG. 5