

[54] **TIRE FOR VEHICLES**

[75] **Inventor:** Peter R. Marriott, Hurley NR
Atherstone, United Kingdom
[73] **Assignee:** Sp Tyres UK, Limited, Birmingham,
England
[**] **Term:** 14 Years
[21] **Appl. No.:** 806,007
[22] **Filed:** Nov. 21, 1985

[30] **Foreign Application Priority Data**

May 21, 1985 [GB] United Kingdom 1026891
[52] **U.S. Cl.** D12/147
[58] **Field of Search** D12/141-143,
D12/146-151; 152/209 R, 209 B, 209 D

[56] **References Cited**

U.S. PATENT DOCUMENTS

D. 290,827 7/1987 Marriott D12/147

OTHER PUBLICATIONS

1985 Tread Design Guide, p. 69, Toyo 603A Tire, bot-
tom center of page.
Modern Tire dealer, 8/84, p. 33, Continental Tire, left
side of page.

Primary Examiner—James M. Gandy
Attorney, Agent, or Firm—Birch, Stewart, Kolasch &
Birch

CLAIM

[57] The ornamental design for a tire for vehicles, as shown
and described.

DESCRIPTION

FIG. 1 is a perspective view of a tire for vehicles show-
ing my new design it being understood that the tread
pattern is repeated uniformly throughout the circumfer-
ence of the tire;
FIG. 2 is a front elevation view thereof; and,
FIG. 3 is a side elevation view thereof, the opposite
being a mirror image of that shown.

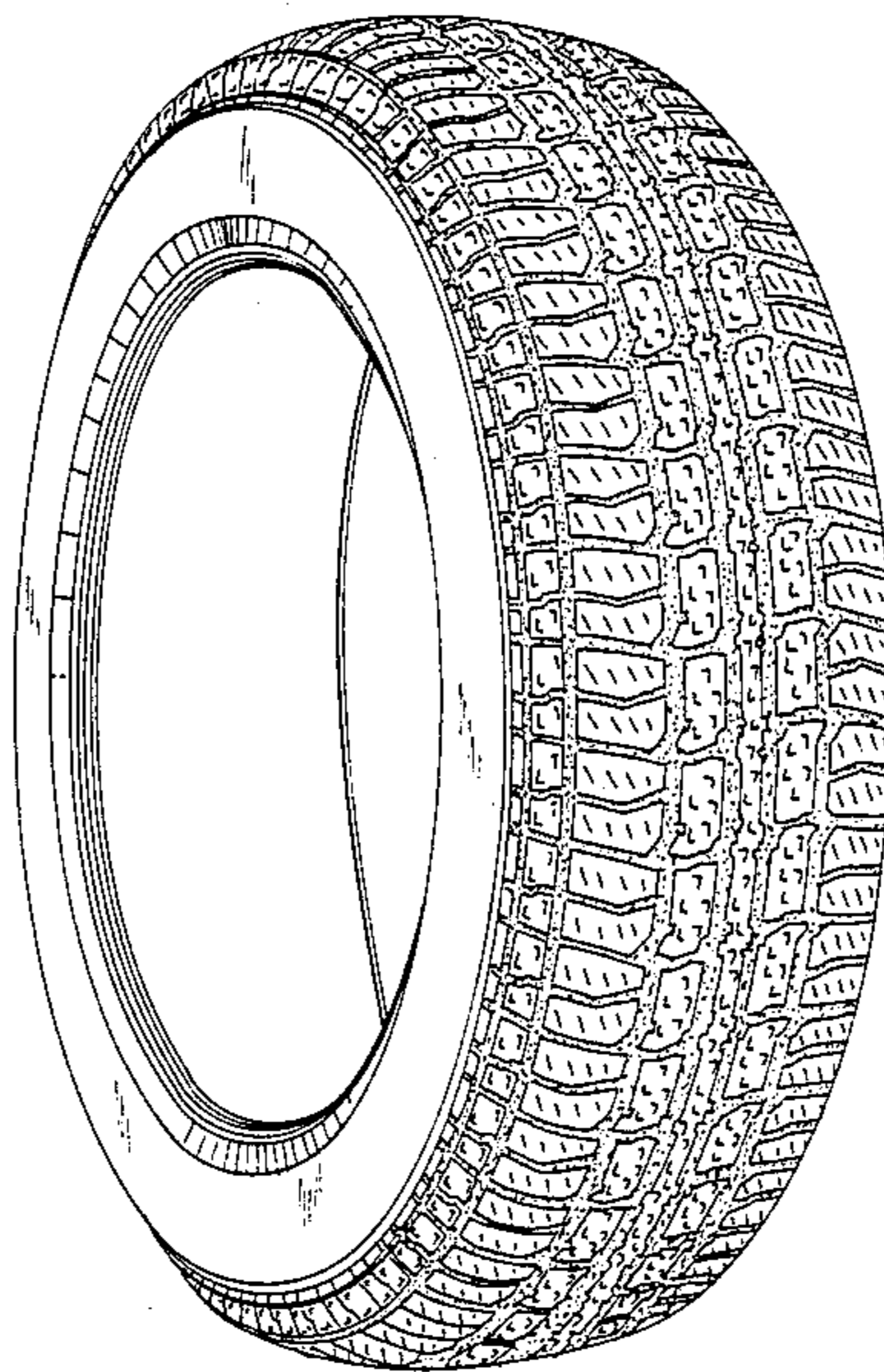


FIG. 1

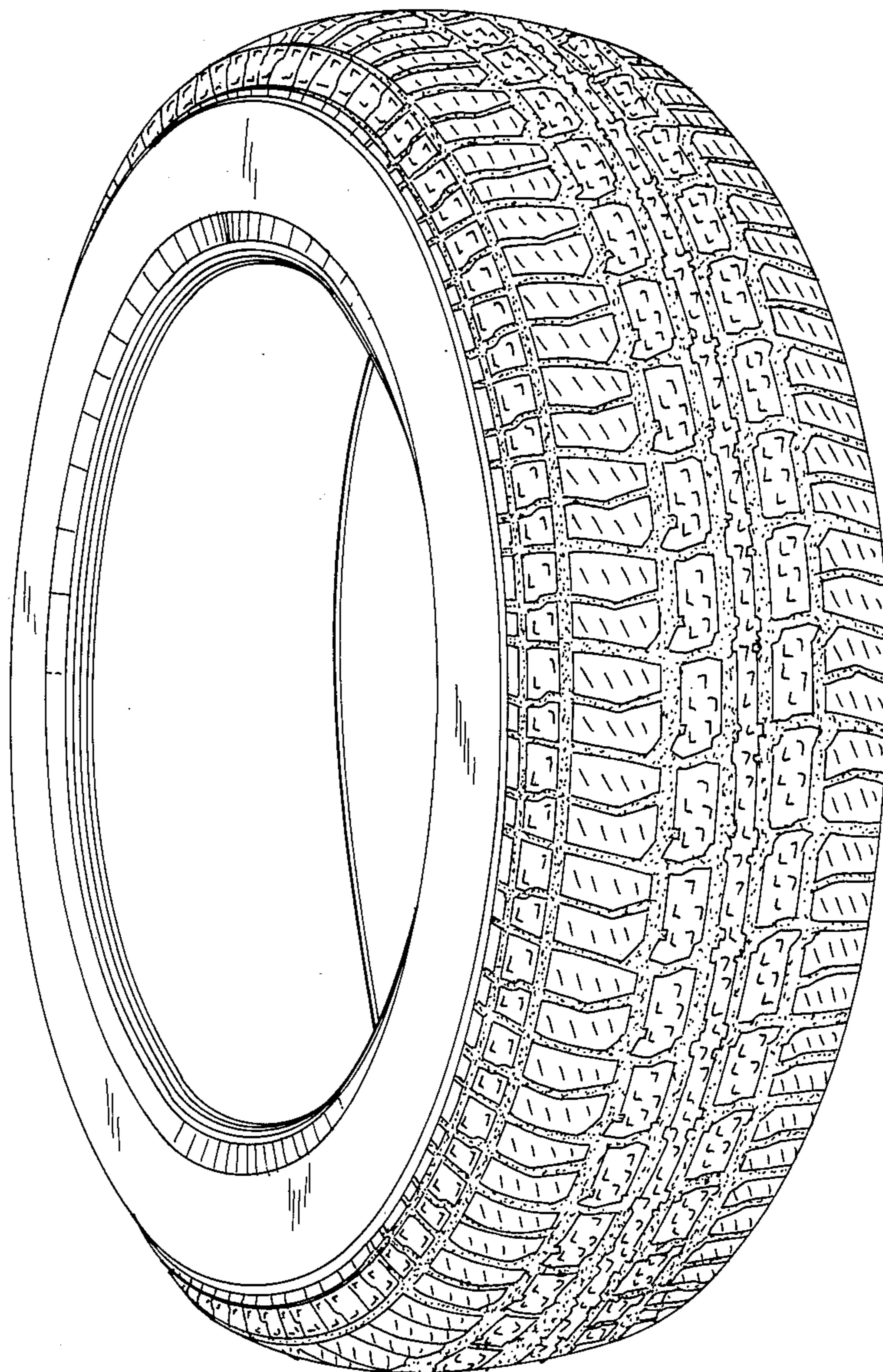


FIG. 2

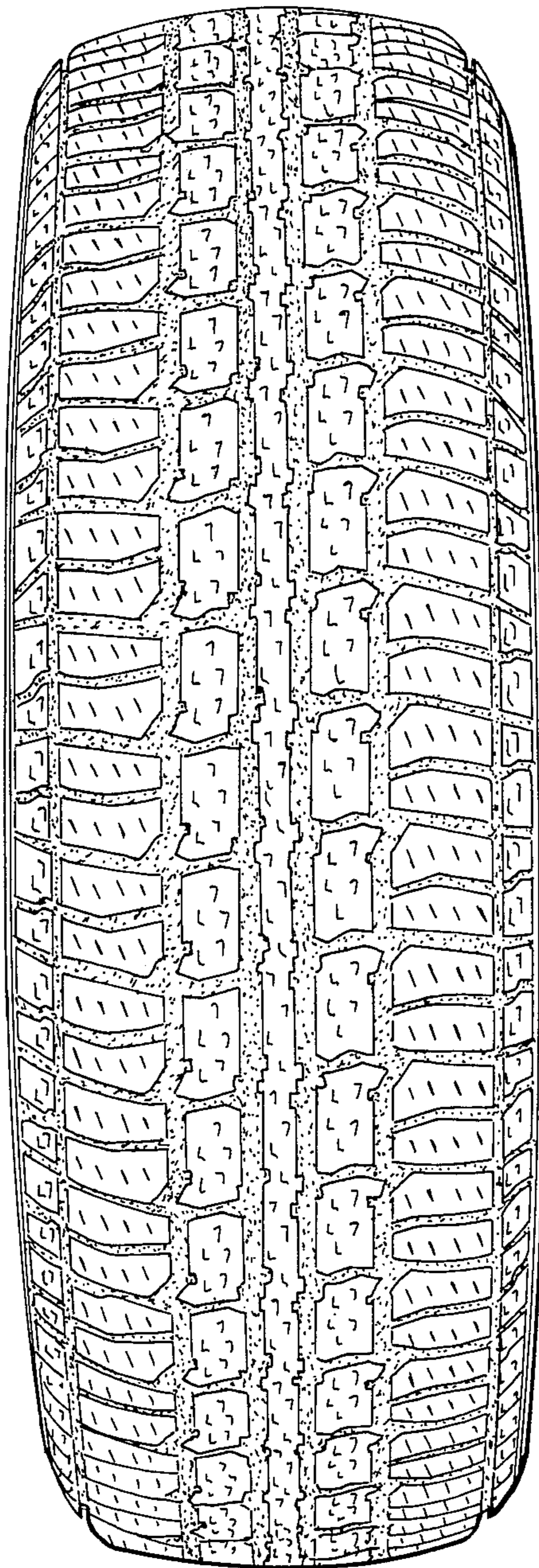


FIG. 3

