

[54] TREE STAND

[76] Inventor: Donald L. Thomas, 615 Melinda Dr., Oxford, Ohio 45056

[\*\*] Term: 14 Years

[21] Appl. No.: 810,783

[22] Filed: Dec. 19, 1985

[52] U.S. Cl. .... D11/130.1

[58] Field of Search ..... D11/117, 118, 130.1; 248/529, 523-527, 515, 519; 47/40.5

[56] References Cited

U.S. PATENT DOCUMENTS

D. 247,271	2/1978	Zipser	.....	D11/130.1
1,848,556	3/1932	Berman	.....	47/40.5
2,679,994	6/1954	Mellen	.....	248/526 X
2,761,641	9/1956	Lubbers	.....	248/526 X
3,815,854	6/1974	Zipser	.....	47/40.5

Primary Examiner—Winifred E. Herrmann  
Attorney, Agent, or Firm—Woodard, Emhardt,  
Naughton Moriarty & McNett

[57] CLAIM

The ornamental design for a tree stand, as shown and described.

DESCRIPTION

FIG. 1 is a top plan view of a tree stand showing my new design.

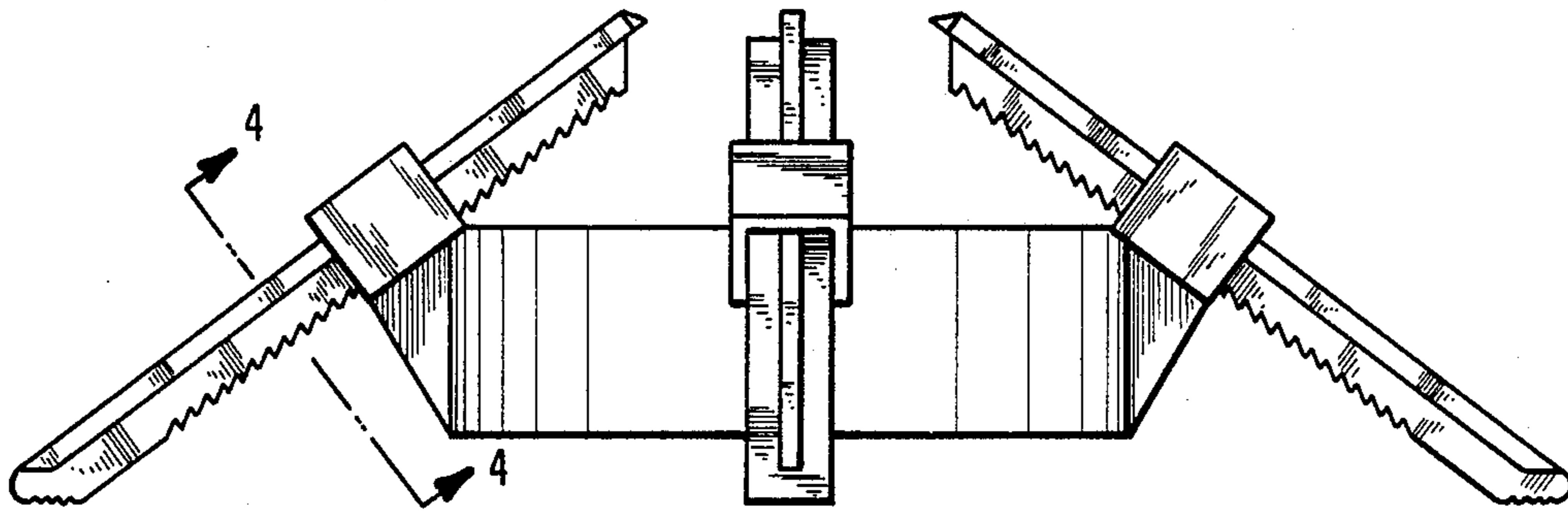
FIG. 2 is a side elevational view.

FIG. 3 is a section at line 3—3 in FIG. 1 and viewed in the direction of the arrows.

FIG. 4 is a section at line 4—4 in FIG. 2 and viewed in the direction of the arrows.

The bottom is unornamented.

The tree stand is symmetrical, so front, rear, and opposite side views are like the side shown in FIG. 2.



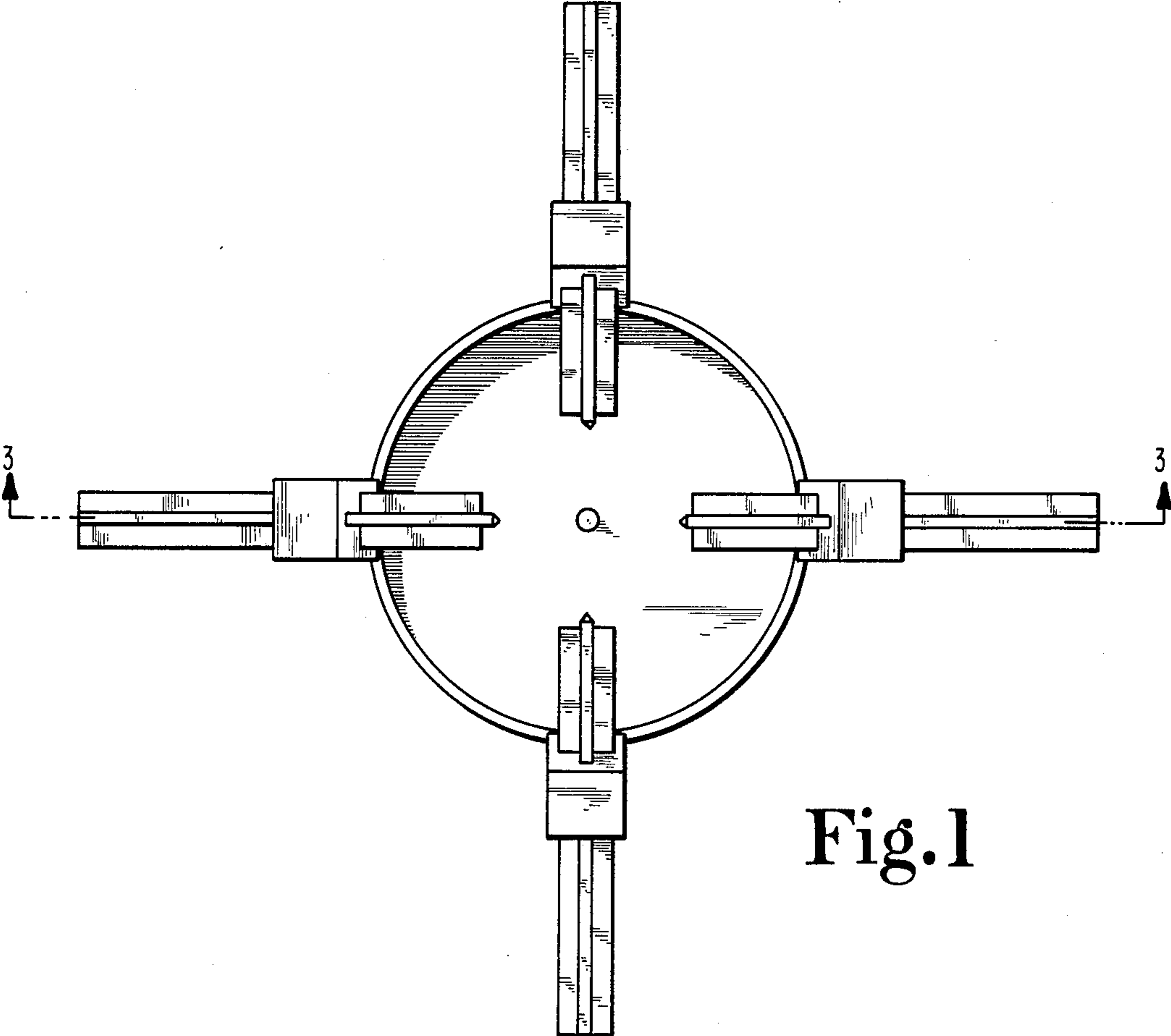


Fig. 1

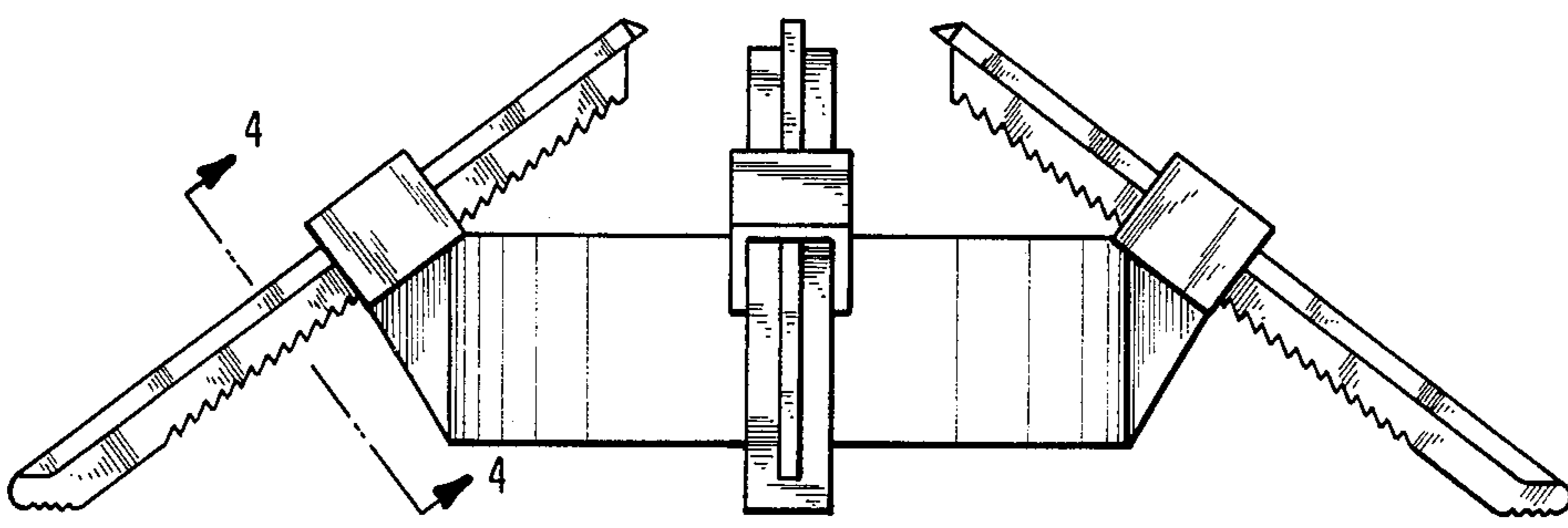


Fig. 2

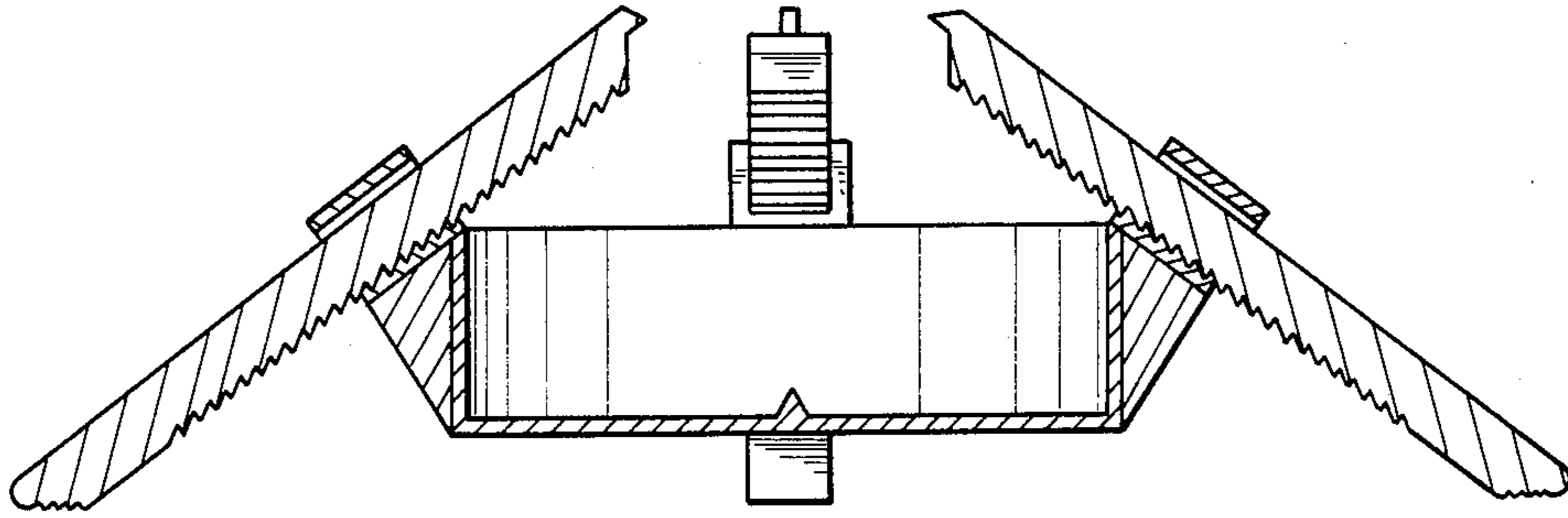


Fig. 3

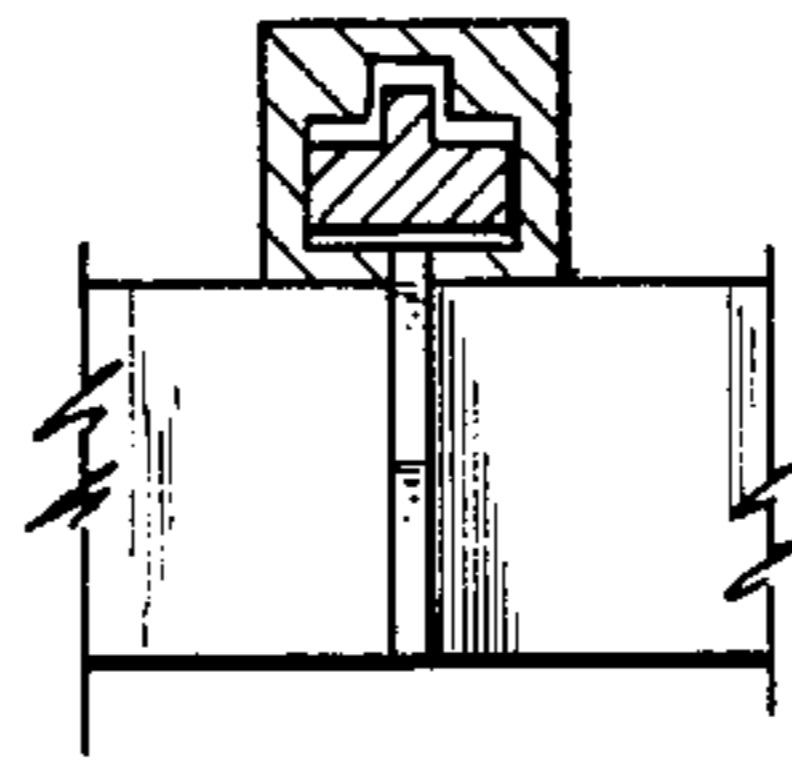


Fig. 4