

[54] ALARM BUZZER

[75] Inventor: Shigeo Shimoya, Kitamoto, Japan

[73] Assignee: Kobishi Electric Co., Ltd., Japan

[\*\*] Term: 14 Years

[21] Appl. No.: 749,019

[22] Filed: Jun. 26, 1985

[52] U.S. Cl. .... D10/116

[58] Field of Search ..... 340/392, 393, 394, 396, 340/397; D10/104, 106, 116

[56] References Cited

U.S. PATENT DOCUMENTS

- D. 248,151 6/1978 Duies ..... D10/116
- D. 254,727 4/1980 Mitumori ..... D10/116
- D. 254,728 4/1980 Mitumori ..... D10/116

- D. 254,729 4/1980 Mitumori ..... D10/116
- D. 254,730 4/1980 Mitumori ..... D10/116
- D. 254,731 4/1980 Mitumori ..... D10/116

Primary Examiner—Catherine E. Kemper  
Attorney, Agent, or Firm—Darby & Darby

[57] CLAIM

The ornamental design for an alarm buzzer, as shown.

DESCRIPTION

FIG. 1 is a front elevational view of an alarm buzzer, showing my new design;  
 FIG. 2 is a top plan view thereof;  
 FIG. 3 is a right side elevational view thereof;  
 FIG. 4 is a bottom plan view thereof;  
 FIG. 5 is a perspective view thereof;  
 FIG. 6 is a cross-sectional view taken along lines VI—VI of FIG. 2.

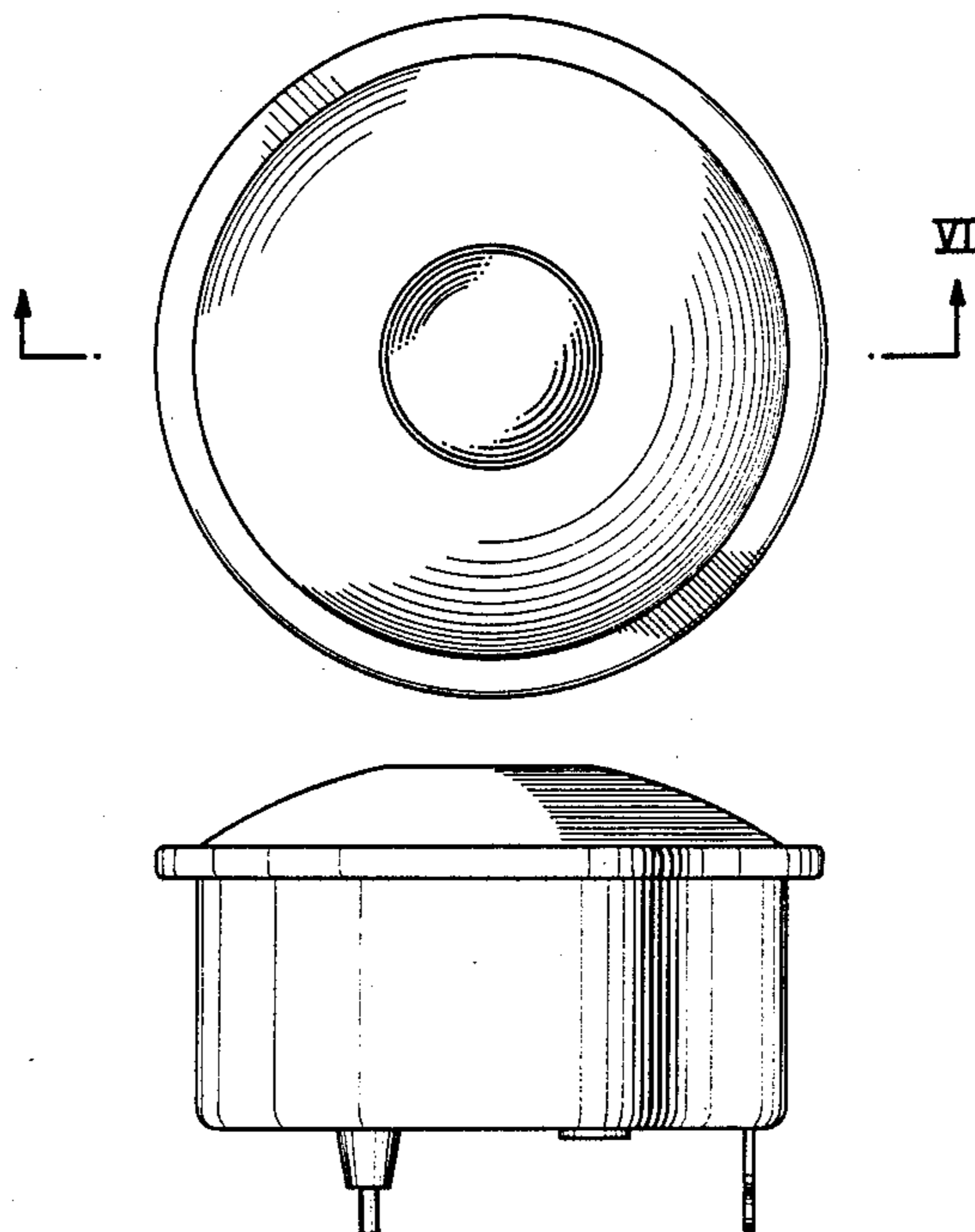


FIG. 2

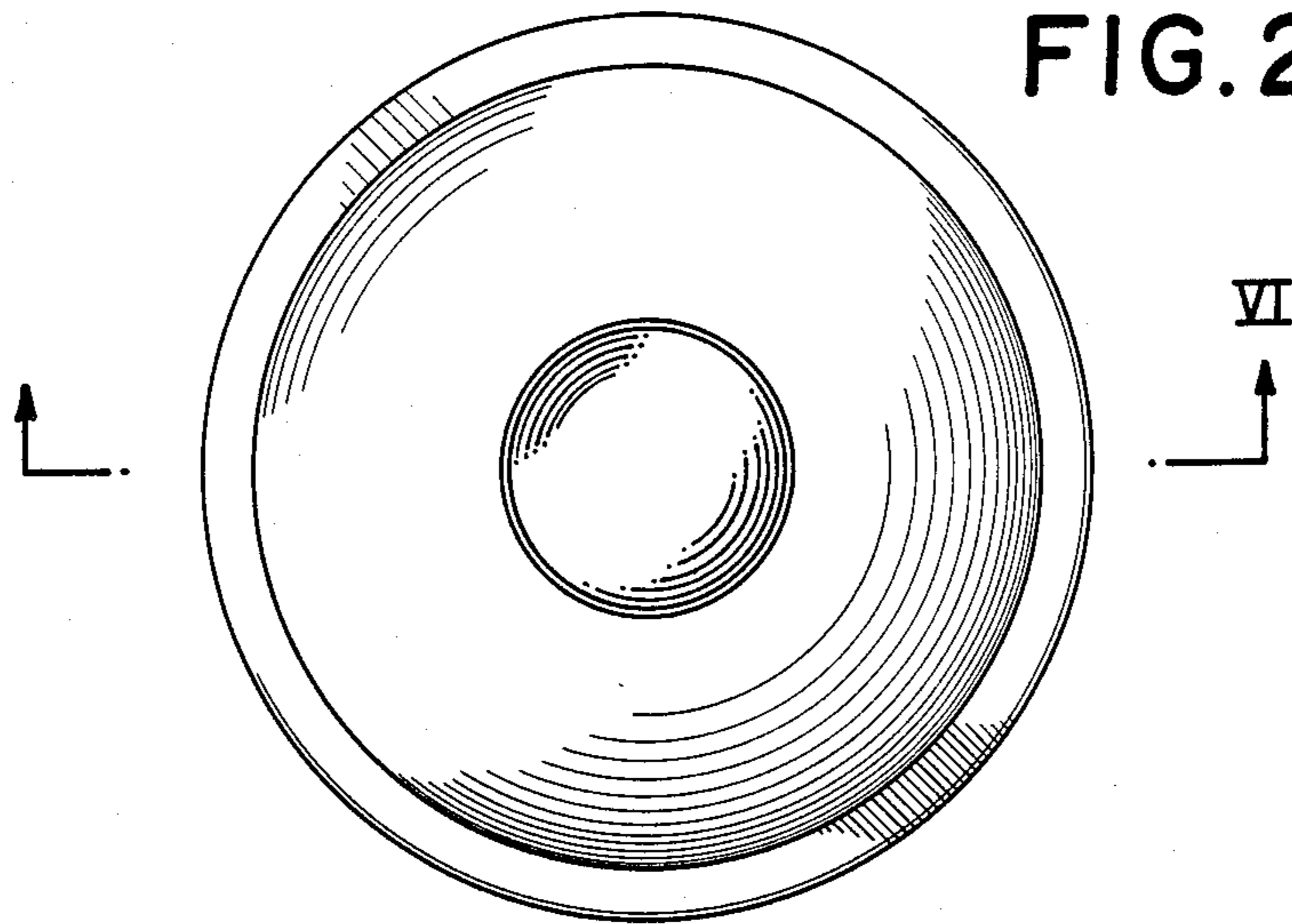


FIG. 1

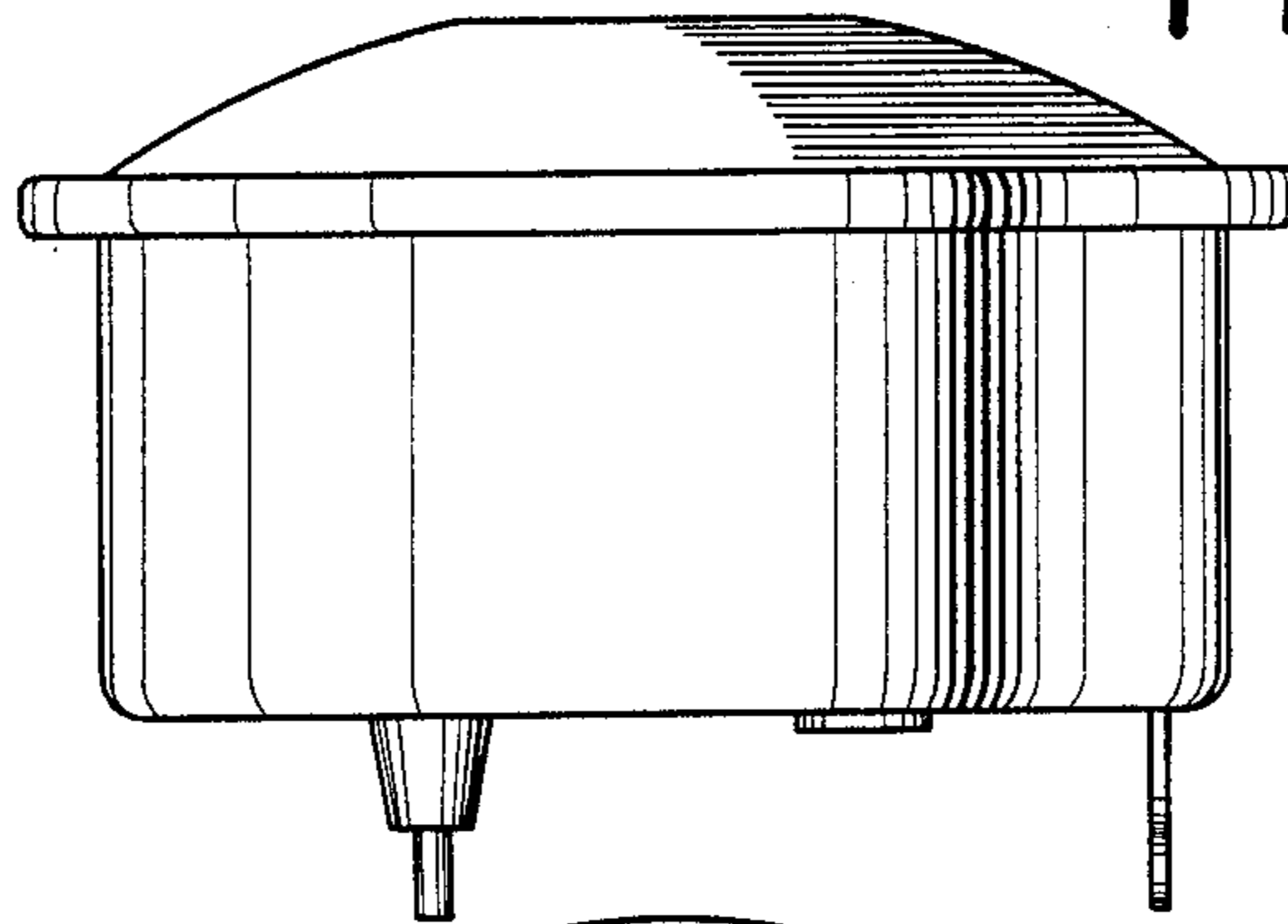


FIG. 4

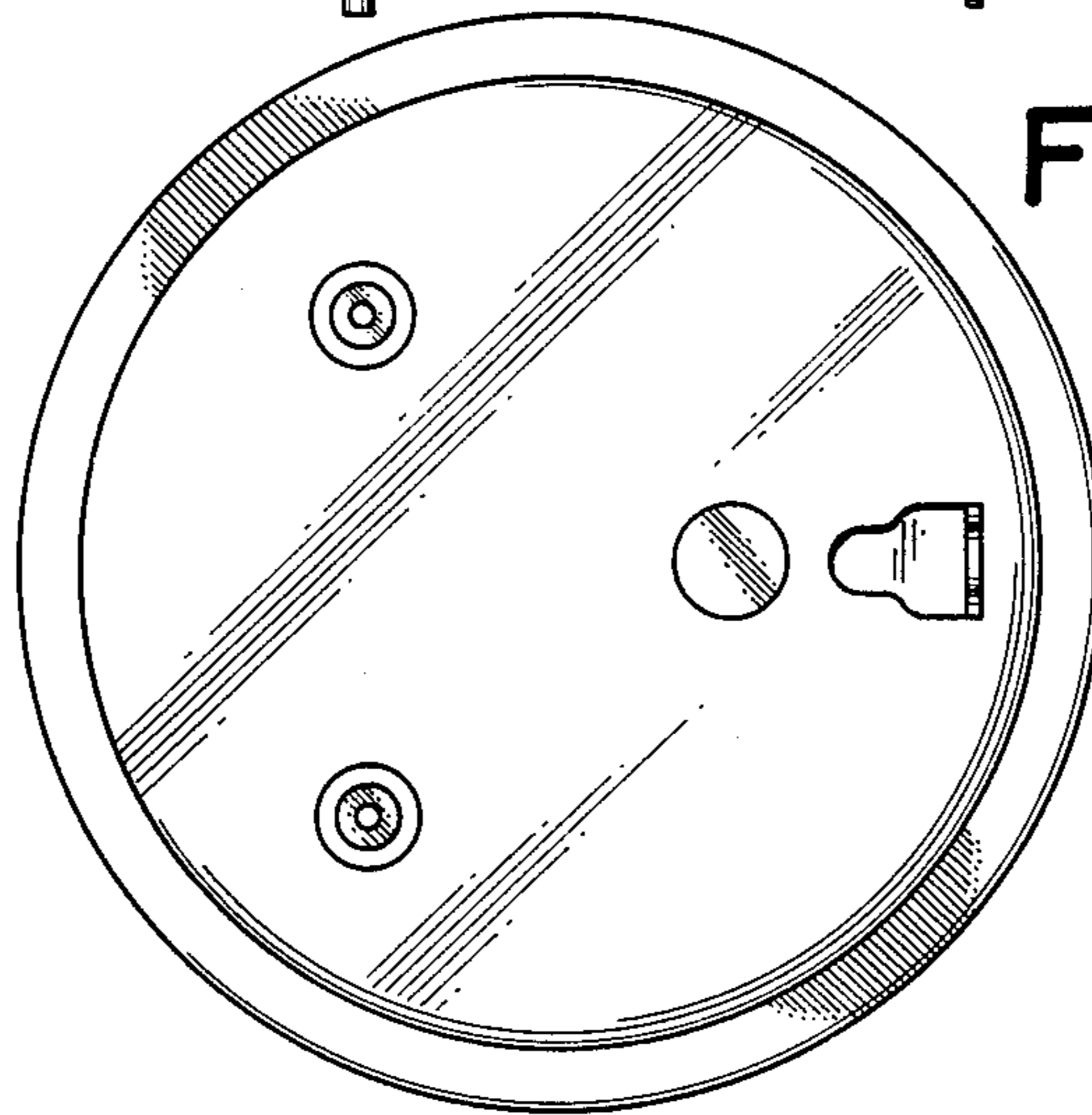


FIG. 3

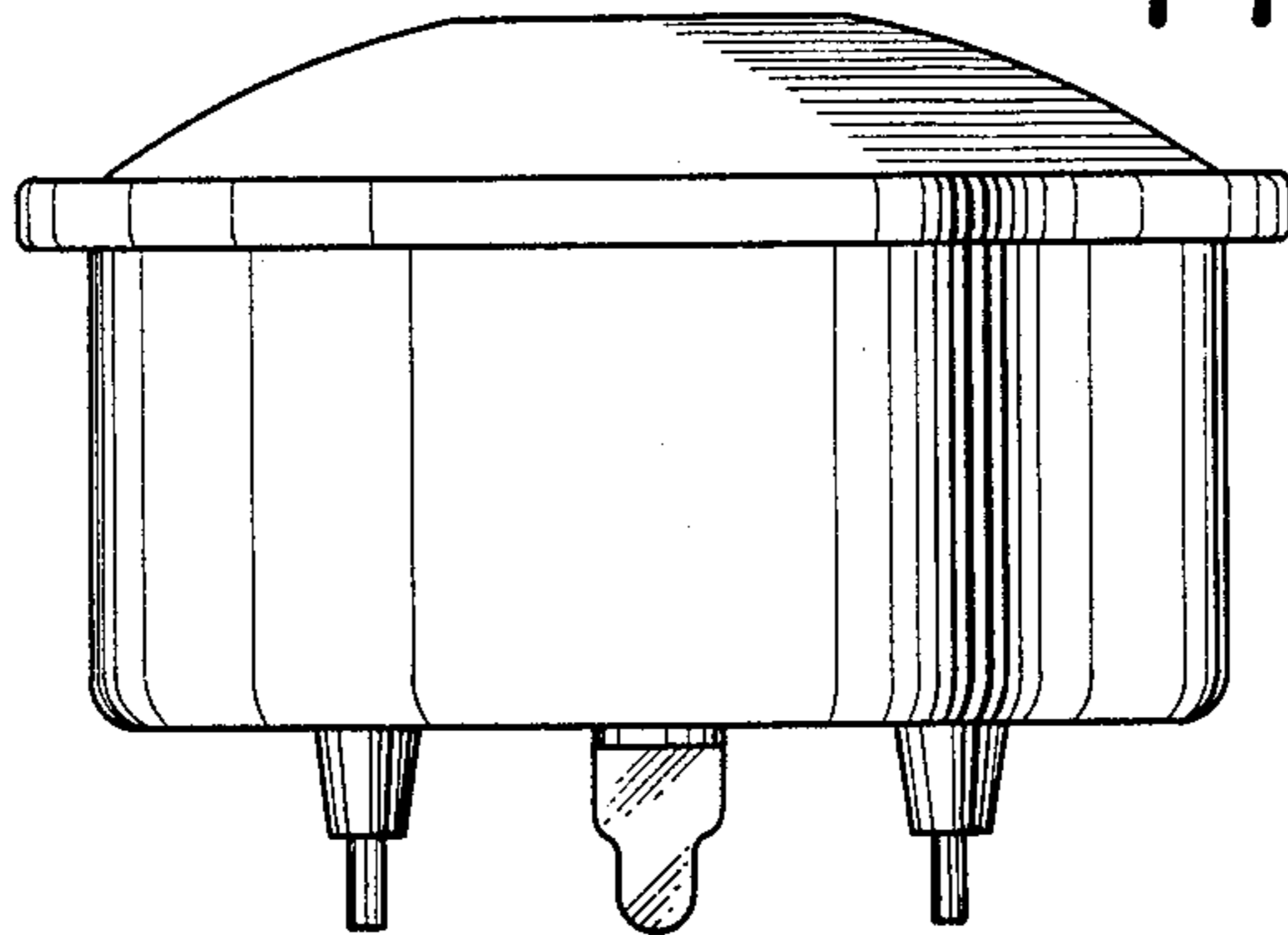


FIG. 6

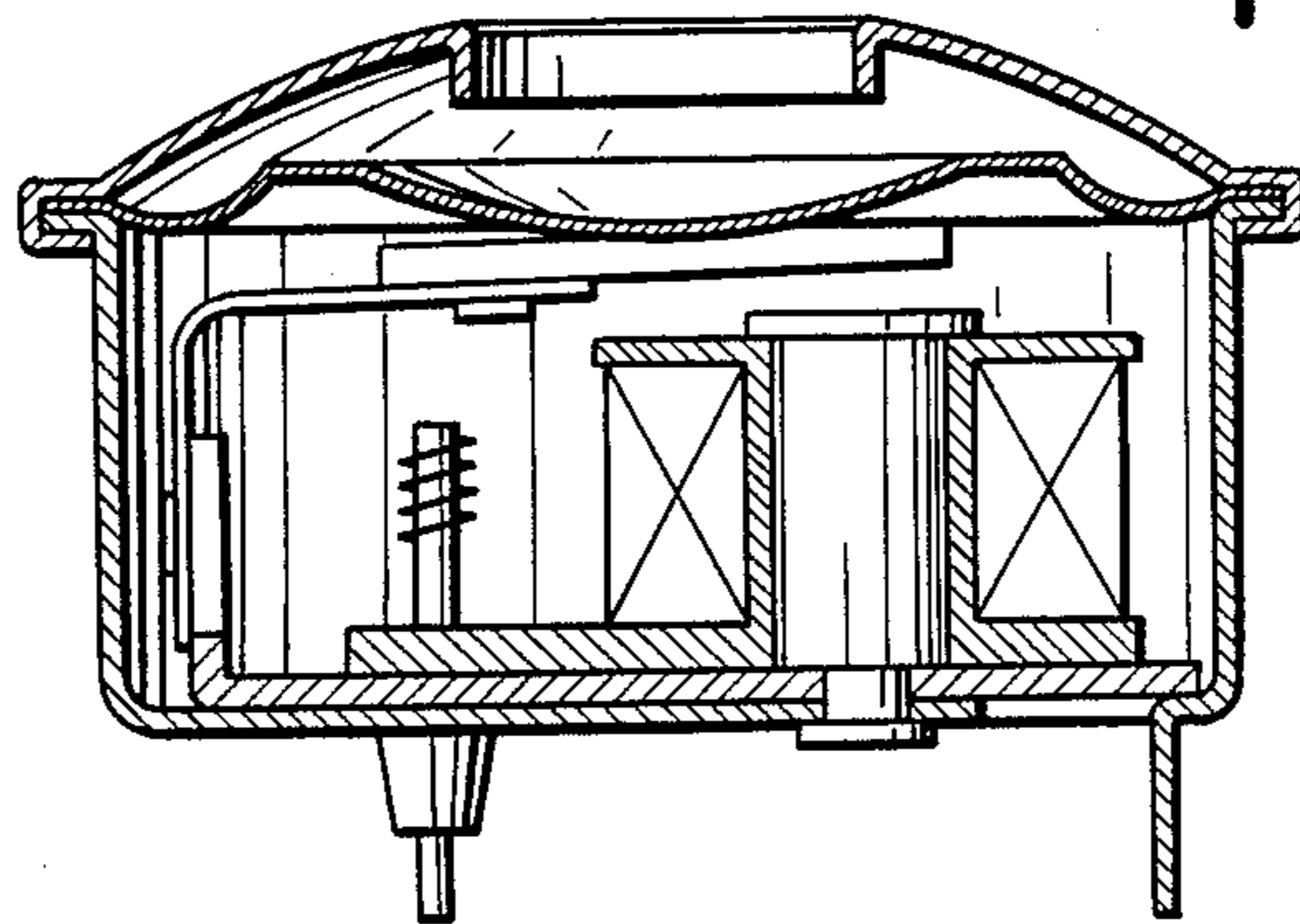


FIG. 5

