

[54] HAMMER

[76] Inventor: James E. Burton, P.O. Box 958, West Chester, Ohio 45069

[**] Term: 14 Years

[21] Appl. No.: 804,982

[22] Filed: Nov. 14, 1985

[52] U.S. Cl. D8/77

[58] Field of Search D8/75-81; 81/20-27; 7/143, 146, 147; 254/25, 26 R

[56] References Cited

U.S. PATENT DOCUMENTS

D. 43,877	4/1913	Laws	81/25
D. 161,034	11/1950	Marthinsen	81/26
1,543,457	6/1925	Swangren	81/25
3,128,131	4/1964	Bianchini	81/20

3,172,438 3/1965 Gianelli 81/22

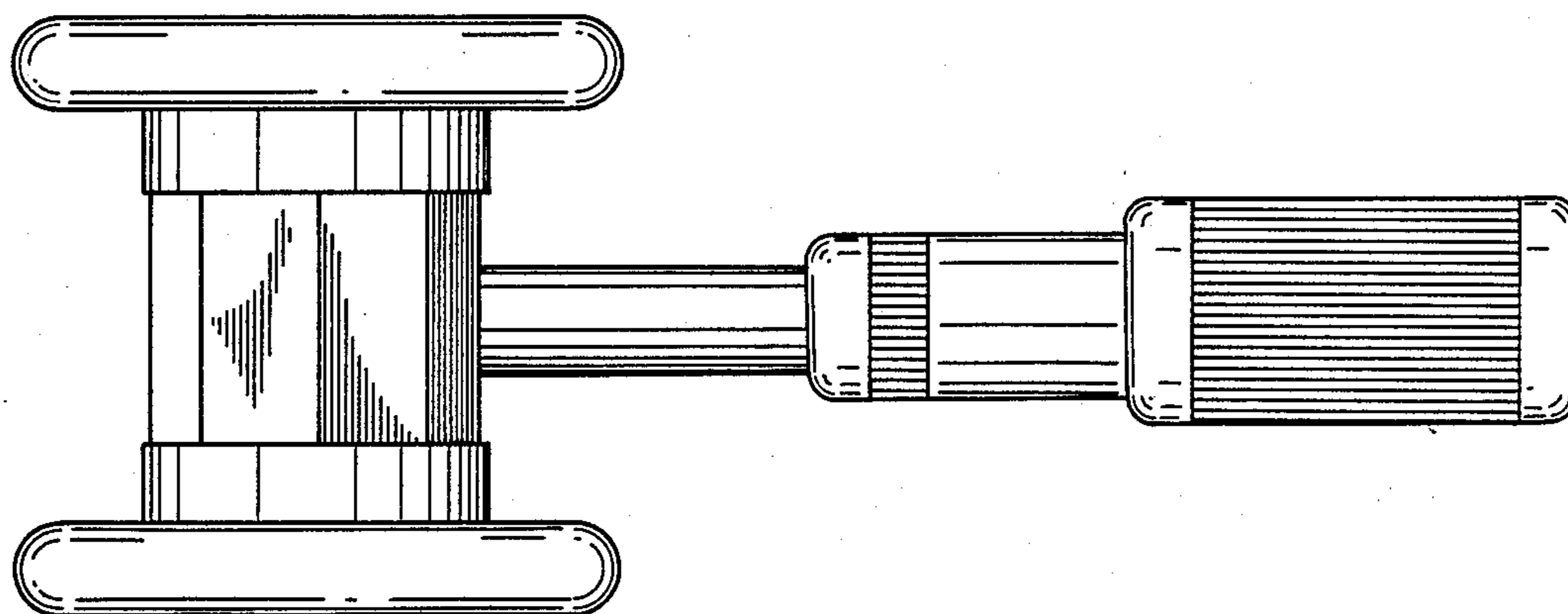
Primary Examiner—Wallace R. Burke
Assistant Examiner—C. E. Heflin
Attorney, Agent, or Firm—Terry M. Gernstein

[57] CLAIM

The ornamental design for a hammer, as shown and described.

DESCRIPTION

FIG. 1 is a side elevational view of a hammer showing my new design;
FIG. 2 is a top plan view thereof, the bottom view being identical;
FIG. 3 is a left end elevational view thereof;
FIG. 4 is a cross-sectional view thereof taken along line 4-4 of FIG. 3; and,
FIG. 5 is a right end elevational view thereof.



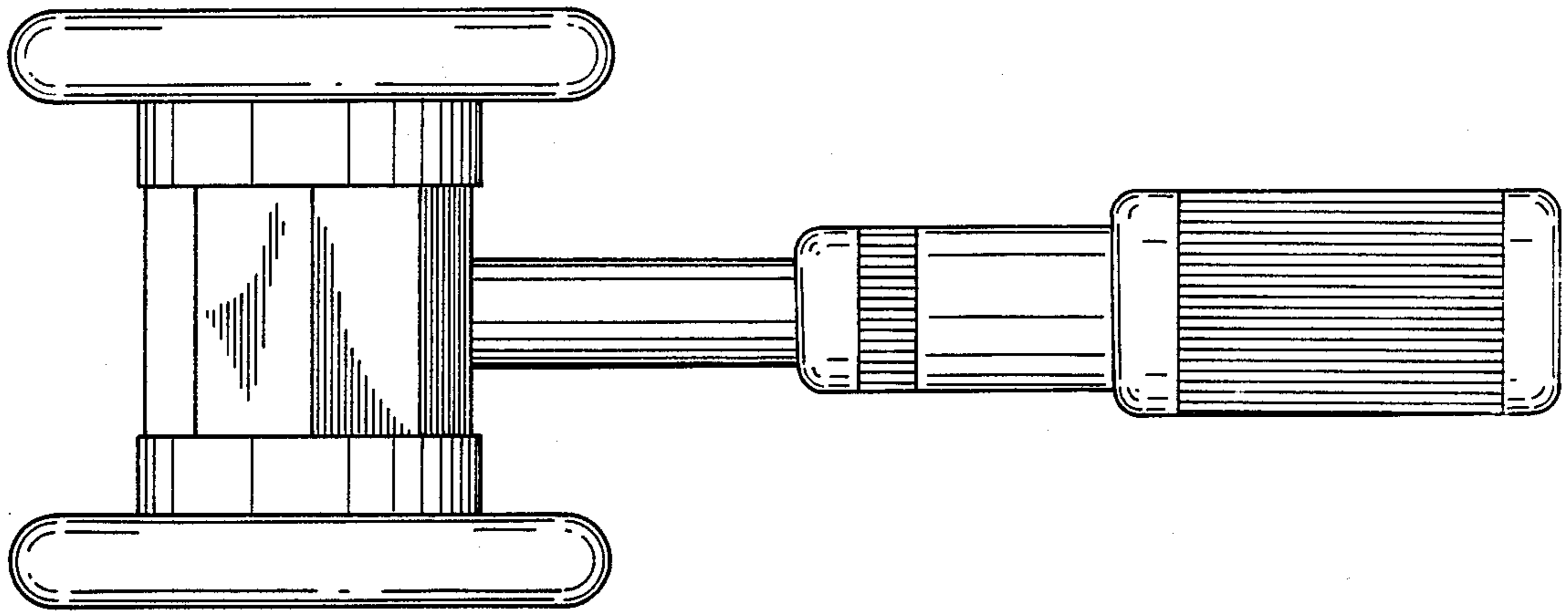


FIG. 1

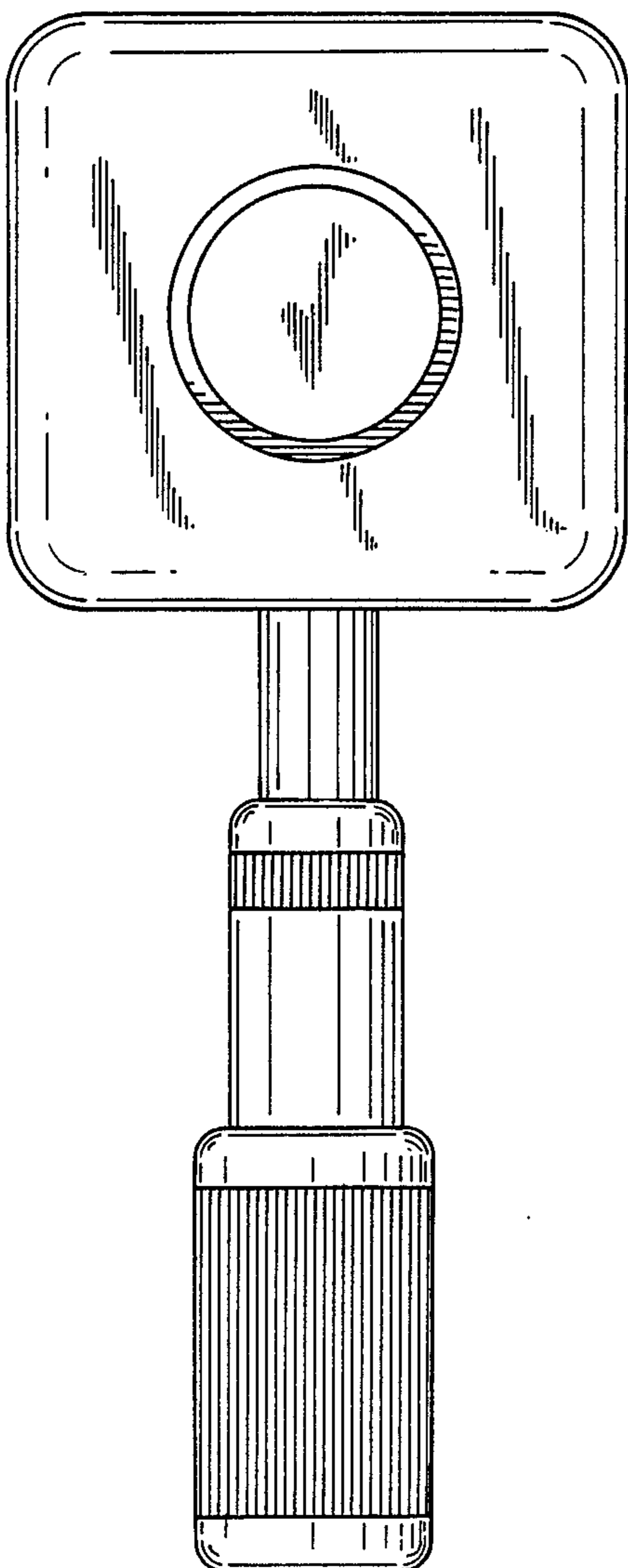


FIG. 2

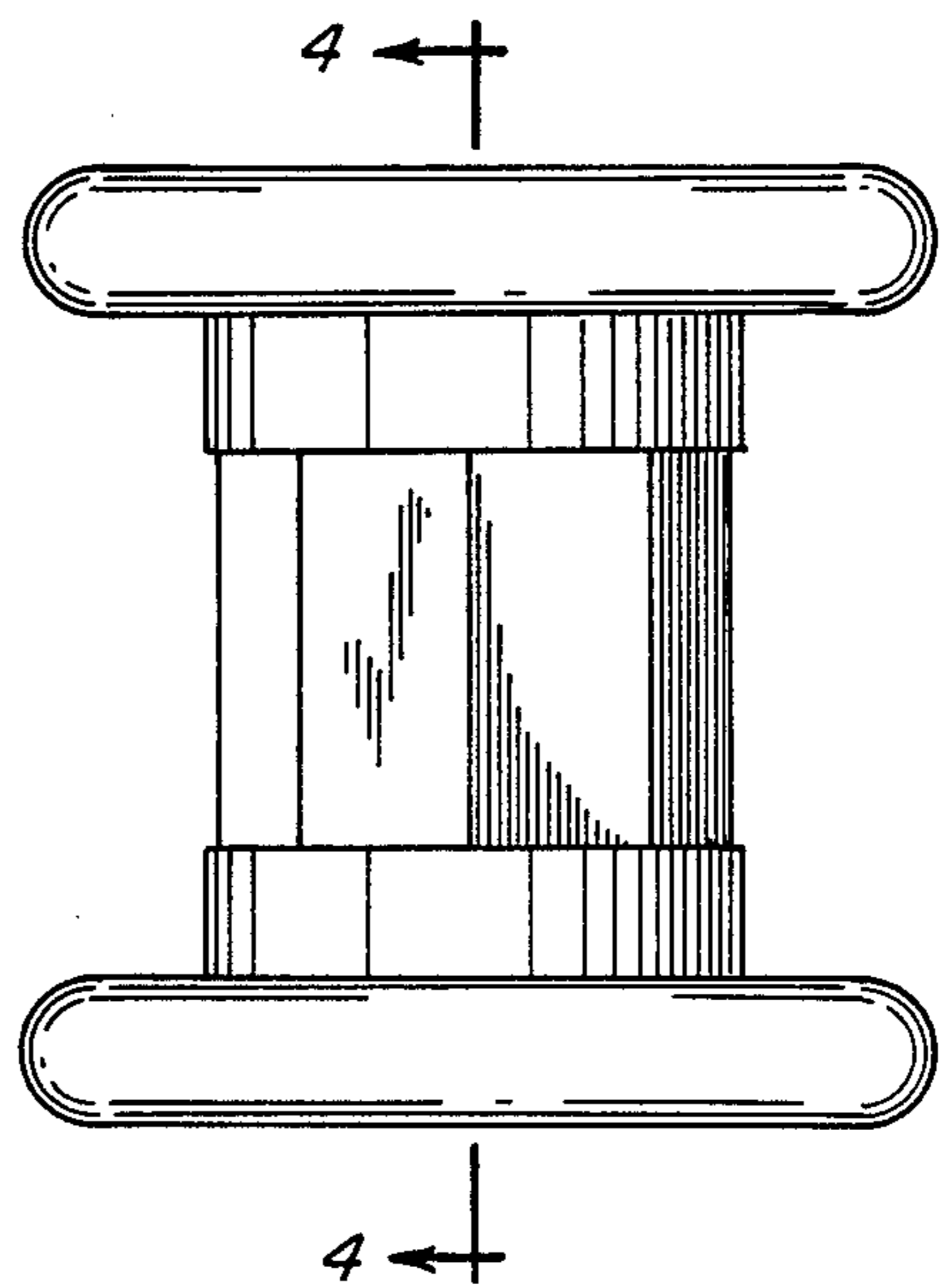


FIG. 3

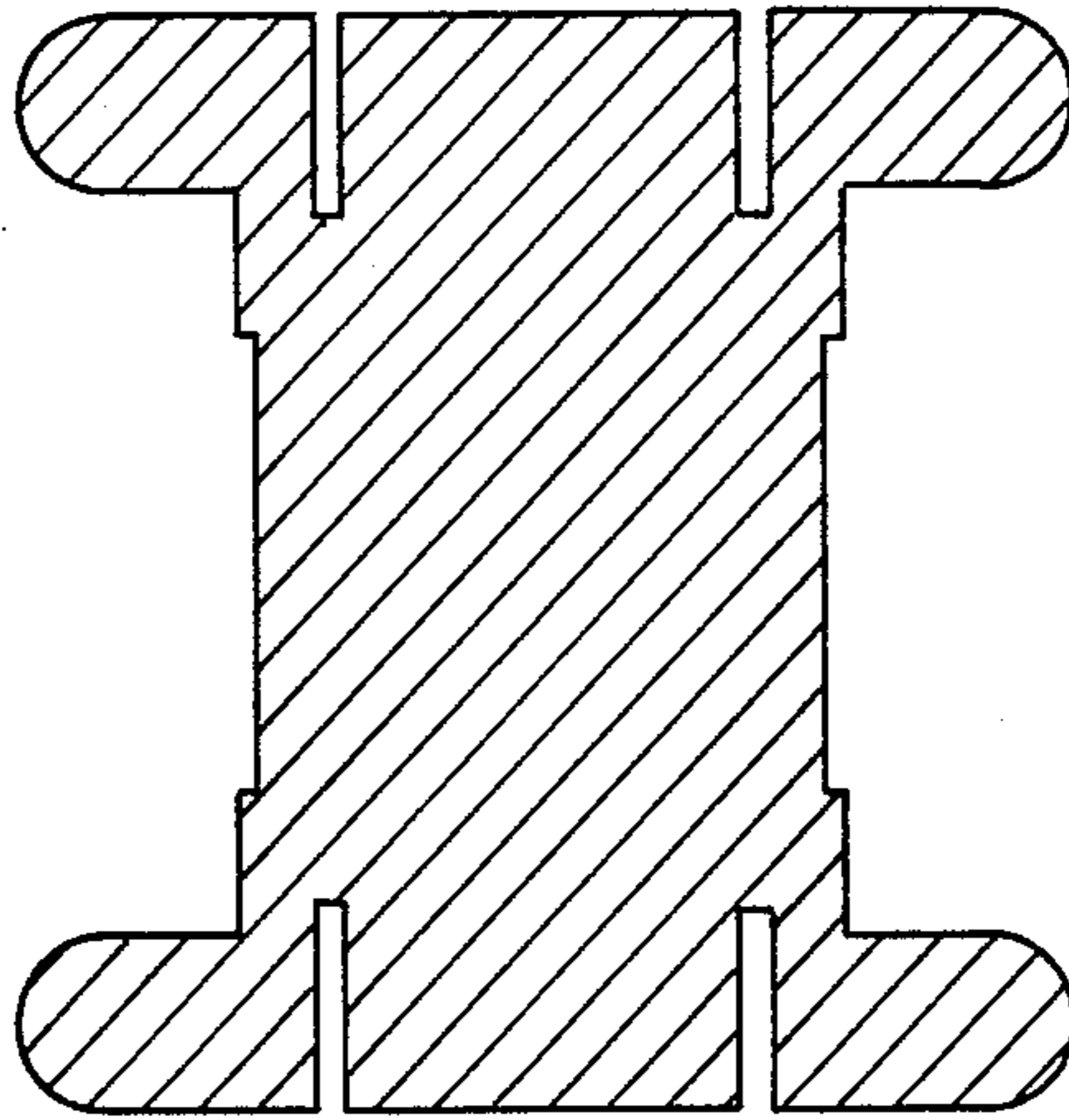


FIG. 4

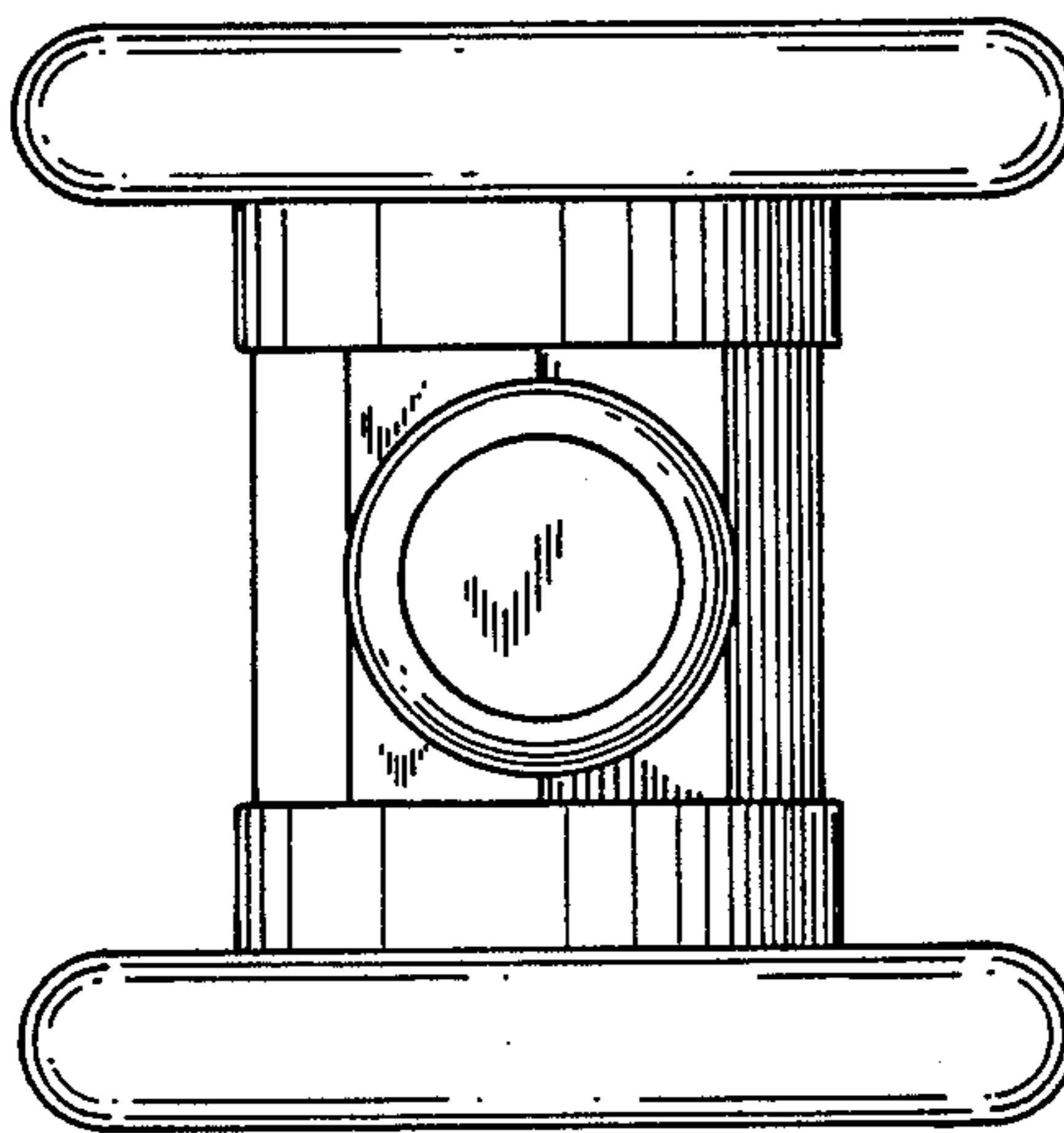


FIG. 5