

[54] **PIPE FITTING SOCKET**

[76] **Inventor: William C. Bayer, Rte. 2, Box 26,
Muenster, Tex. 76252**

[**] **Term: 14 Years**

[21] **Appl. No.: 700,109**

[22] **Filed: Feb. 11, 1985**

[52] **U.S. Cl. D8/29**

[58] **Field of Search D8/20-29;
81/121.1, 124.2**

[56] **References Cited**

U.S. PATENT DOCUMENTS

- | | | | |
|------------|---------|----------------------|------------|
| D. 160,267 | 9/1950 | McCannon et al. | D8/29 |
| 1,696,444 | 12/1928 | Miller et al. | D8/29 X |
| 4,096,621 | 6/1978 | Berger et al. | 81/124.2 X |

FOREIGN PATENT DOCUMENTS

3232196 3/1984 Fed. Rep. of Germany 81/124.2

OTHER PUBLICATIONS

Apex Machine and Tool Co.-catalog 30-AC-p. AC2--
shoulder socket.

Primary Examiner—Catherine E. Kemper
Attorney, Agent, or Firm—Hubbard, Thurman, Turner
& Tucker

[57] **CLAIM**

The ornamental design for a pipe fitting socket, as
shown and described.

DESCRIPTION

- FIG. 1 is a perspective view of a pipe fitting socket
showing my new design;
FIG. 2 is a top plan view thereof;
FIG. 3 is a bottom plan view thereof;
FIG. 4 is a left end elevation view thereof; and
FIG. 5 is a right end elevation view thereof.

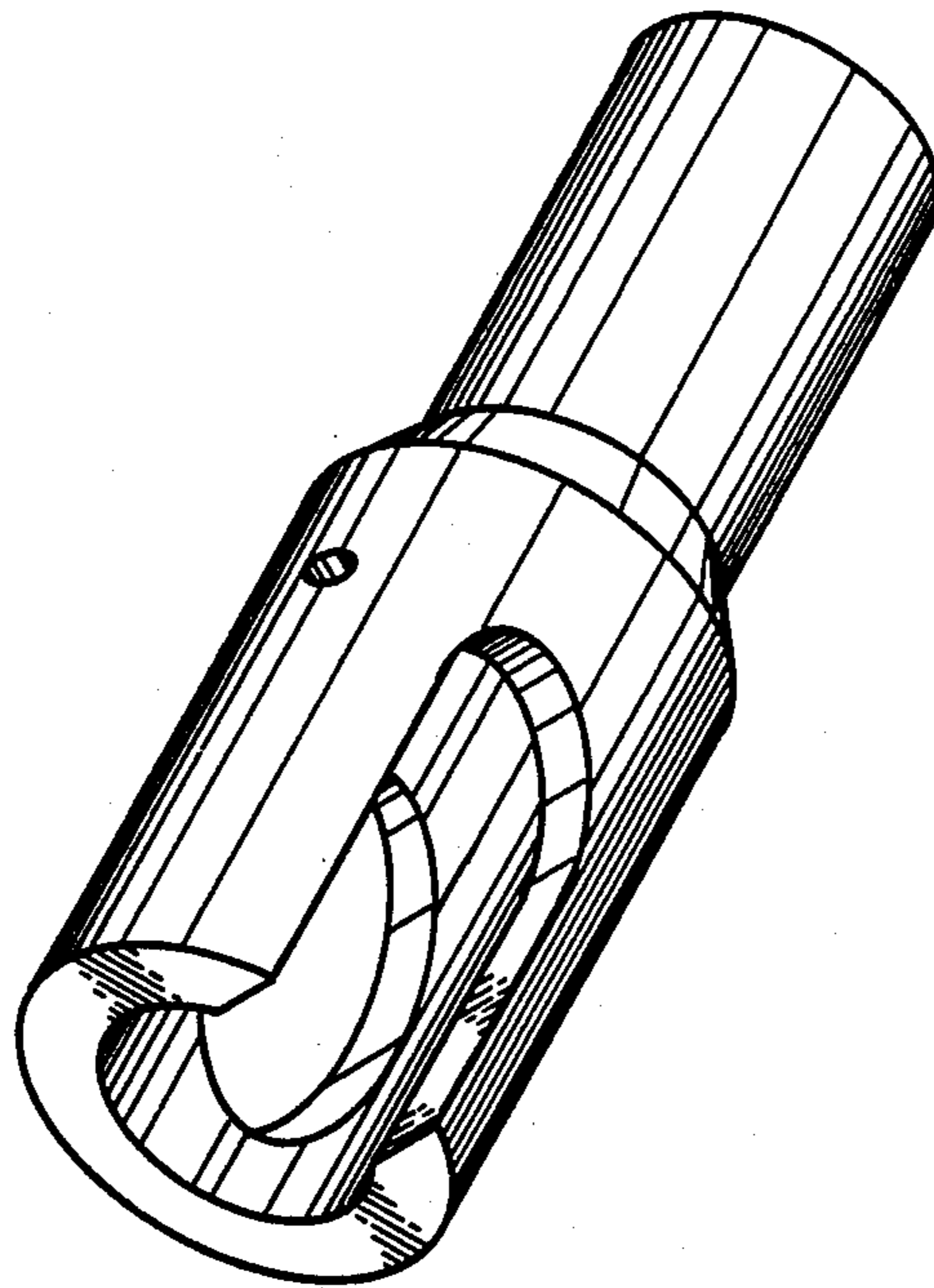


Fig. 1

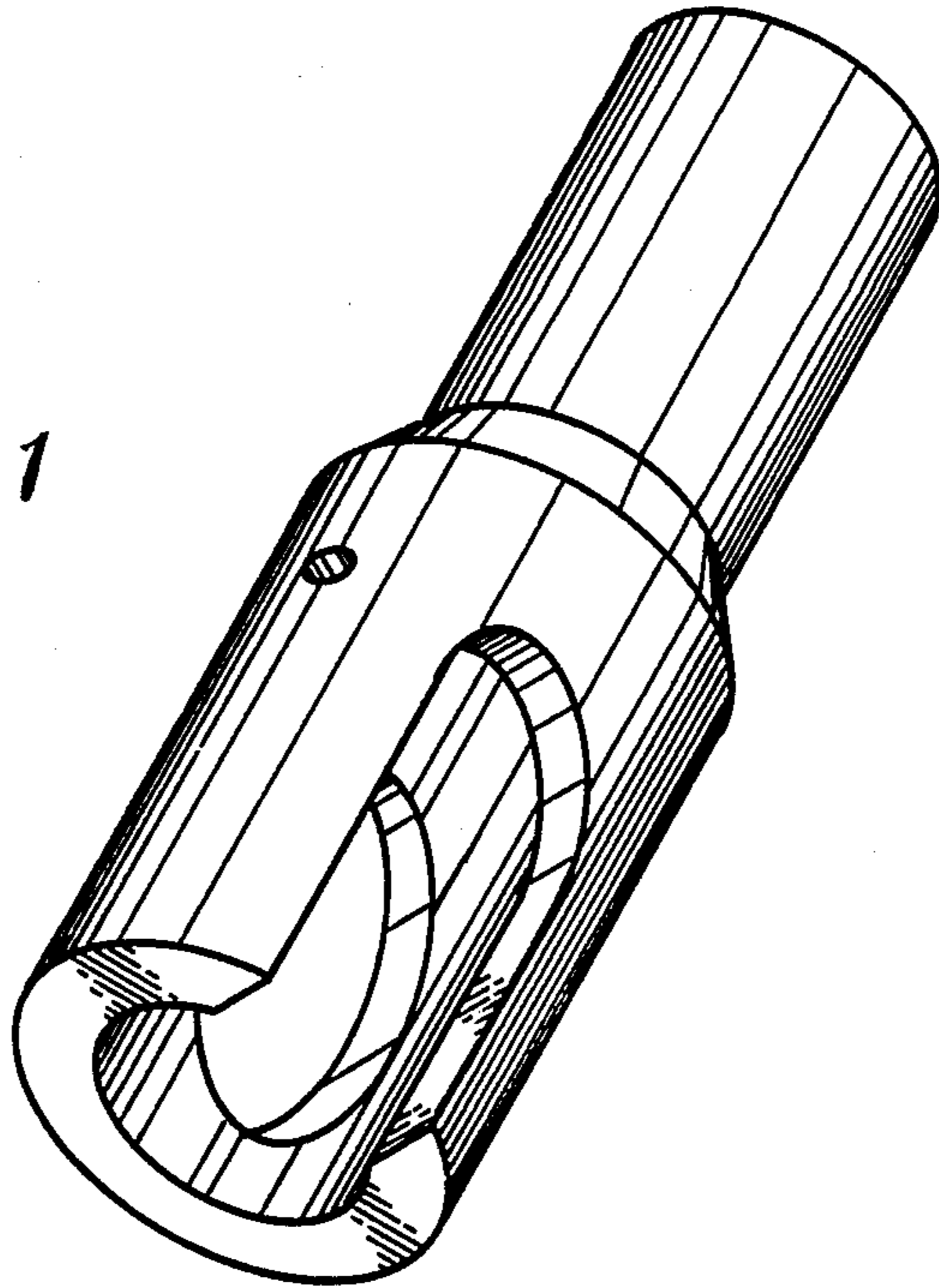


Fig. 4

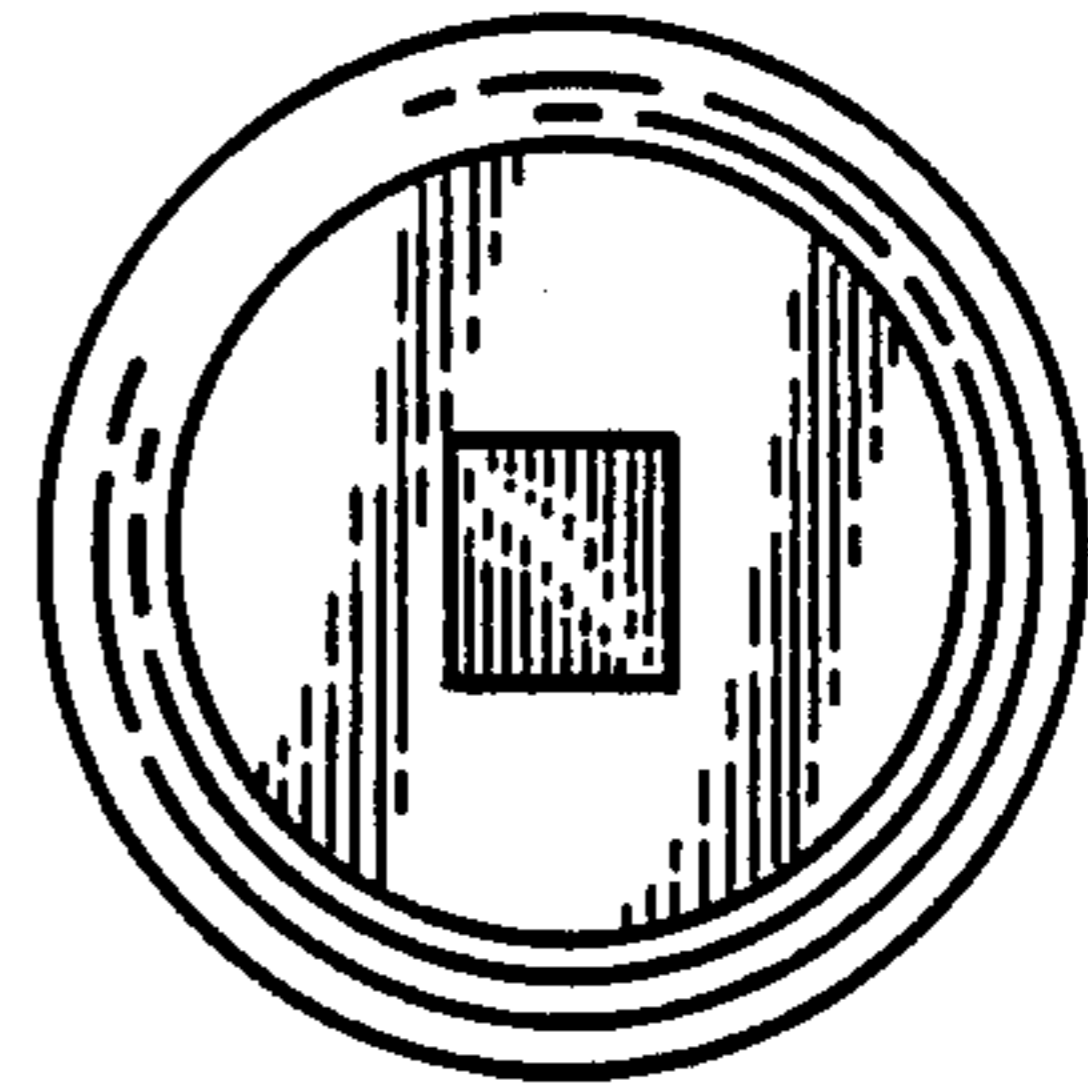


Fig. 2

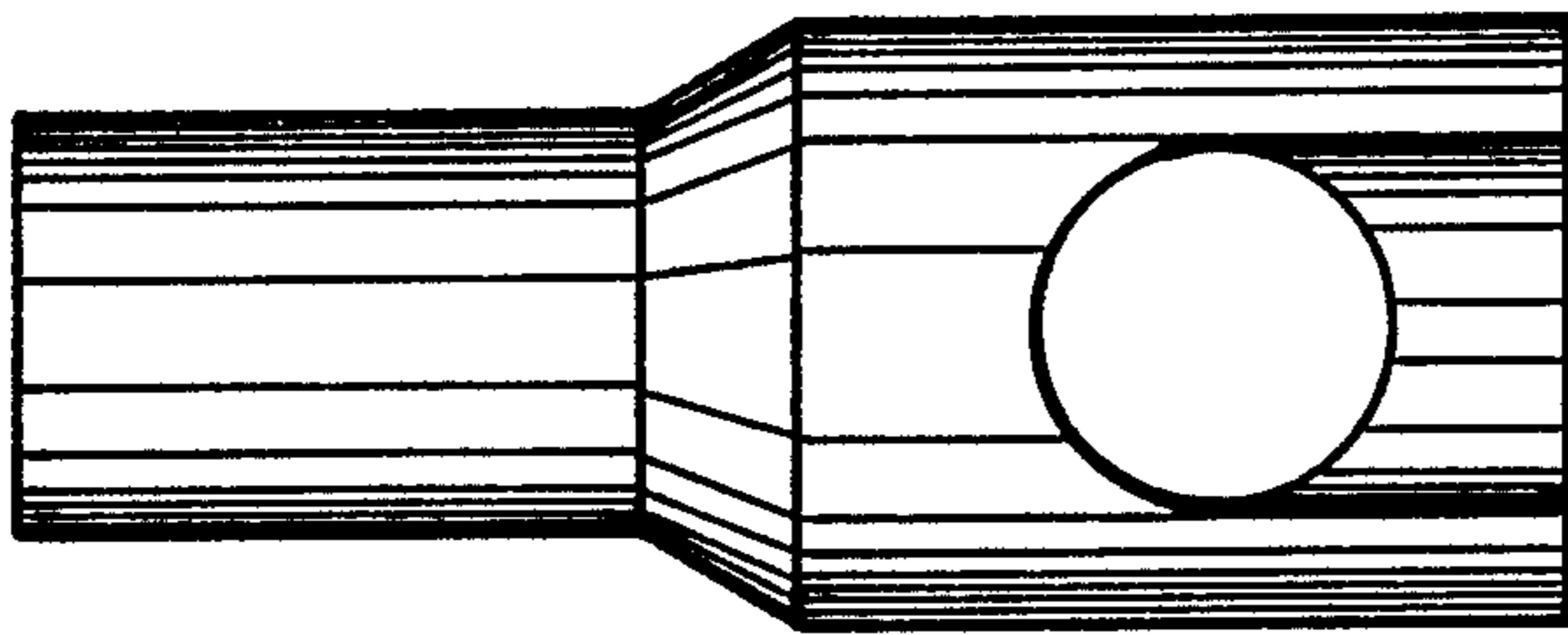


Fig. 3

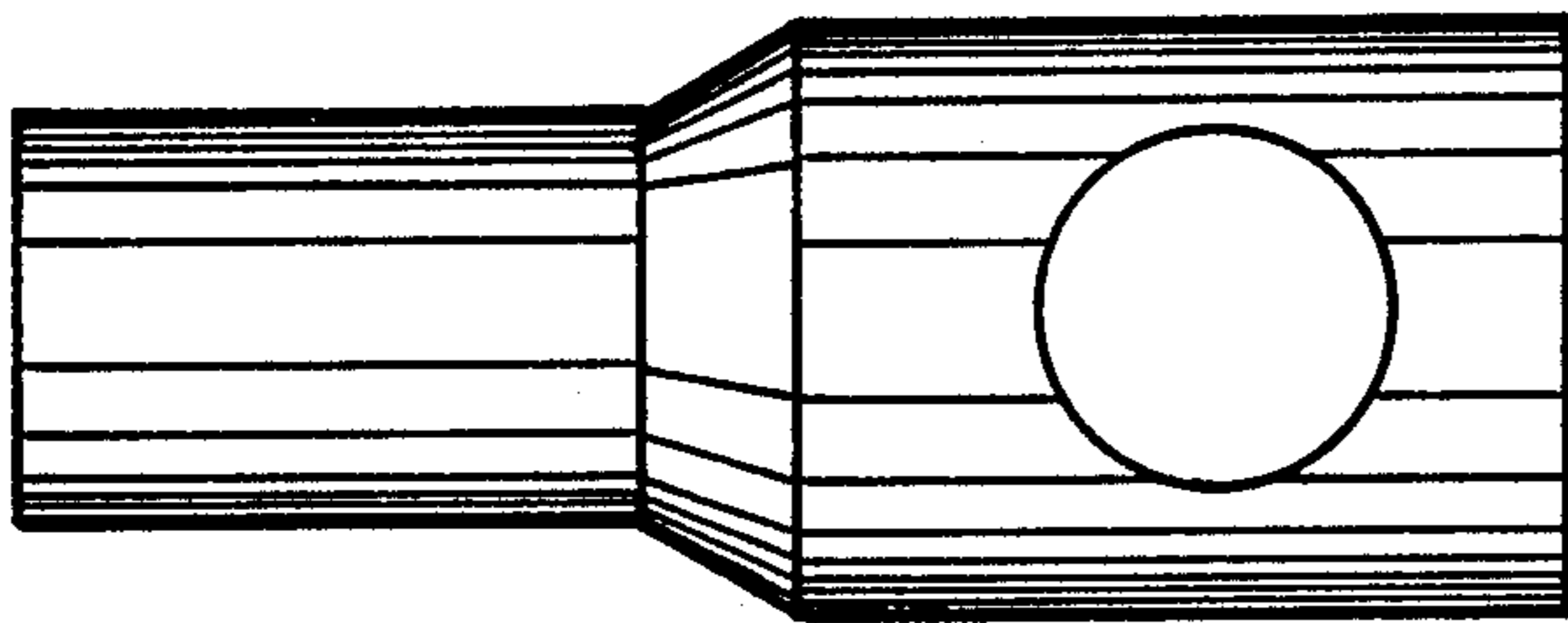


Fig. 5

