

United States Patent [19]

Picozza

[11] Patent Number: **Des. 297,497**

[45] Date of Patent: **** Sep. 6, 1988**

[54] **ROASTING RACK OR THE LIKE**

[75] Inventor: **Augusto A. Picozza, Johnston, R.I.**

[73] Assignee: **Dart Industries Inc., Deerfield, Ill.**

[**] Term: **14 Years**

[21] Appl. No.: **783,977**

[22] Filed: **Oct. 3, 1985**

[52] U.S. Cl. **D7/409; D7/359**

[58] Field of Search **D7/409, 408, 388, 359, D7/323, 354**

[56] **References Cited**

U.S. PATENT DOCUMENTS

- D. 229,532 12/1973 Colato et al. D7/409
- D. 256,082 7/1980 Colato et al. D7/409

- D. 256,653 9/1980 Painter et al. D7/409
- D. 279,539 7/1985 Gerber D7/359

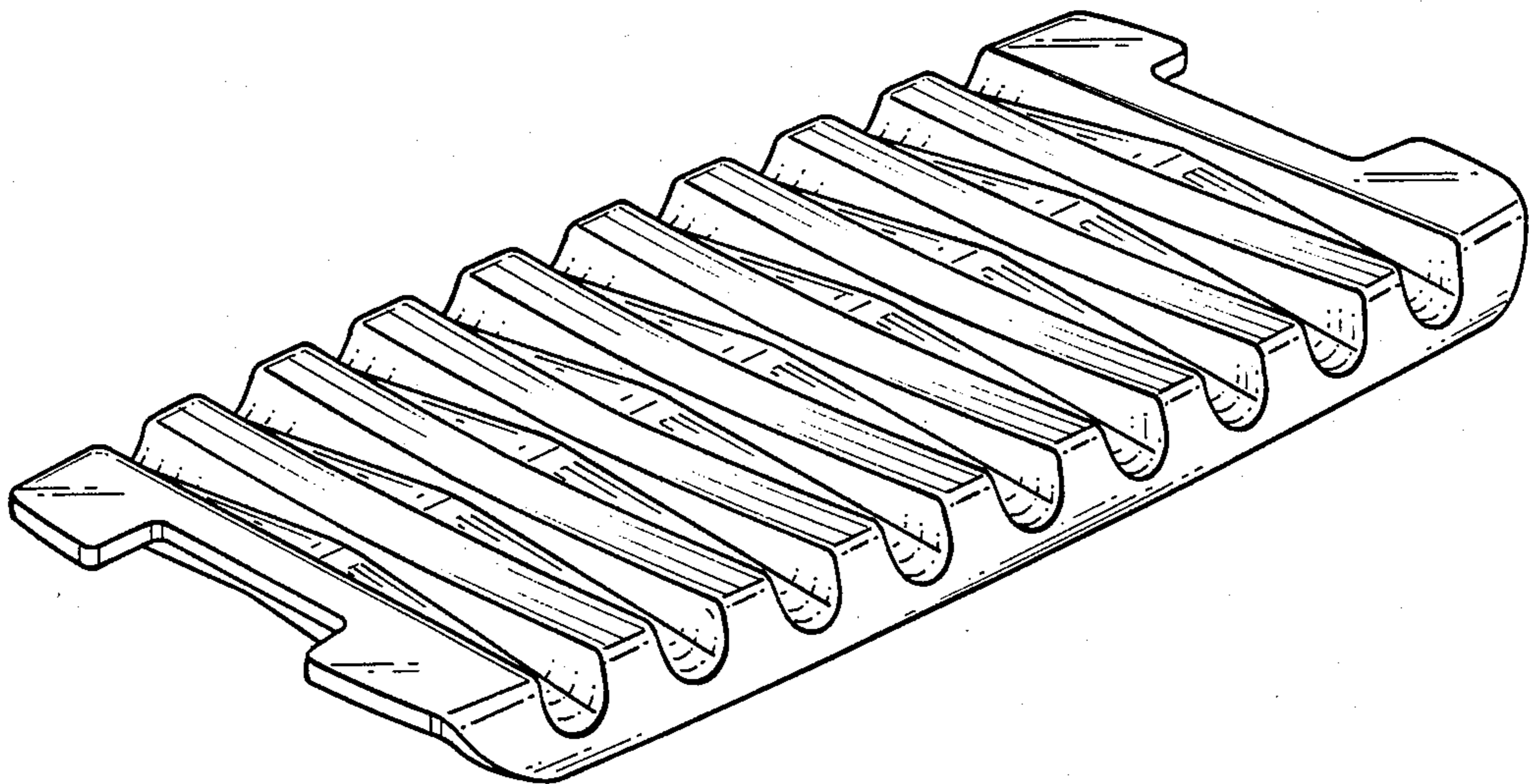
Primary Examiner—Winifred E. Herrmann
Attorney, Agent, or Firm—John A. Doninger

[57] **CLAIM**

The ornamental design for a roasting rack or the like, as shown.

DESCRIPTION

FIG. 1 is a top perspective view of a roasting rack or the like showing my new design;
FIG. 2 is a side elevational view thereof;
FIG. 3 is an end elevational view thereof;
FIG. 4 is a top plan view thereof;
FIG. 5 is a bottom plan view thereof; and
FIG. 6 is a cross-sectional view taken along line 6—6 of FIG. 4.



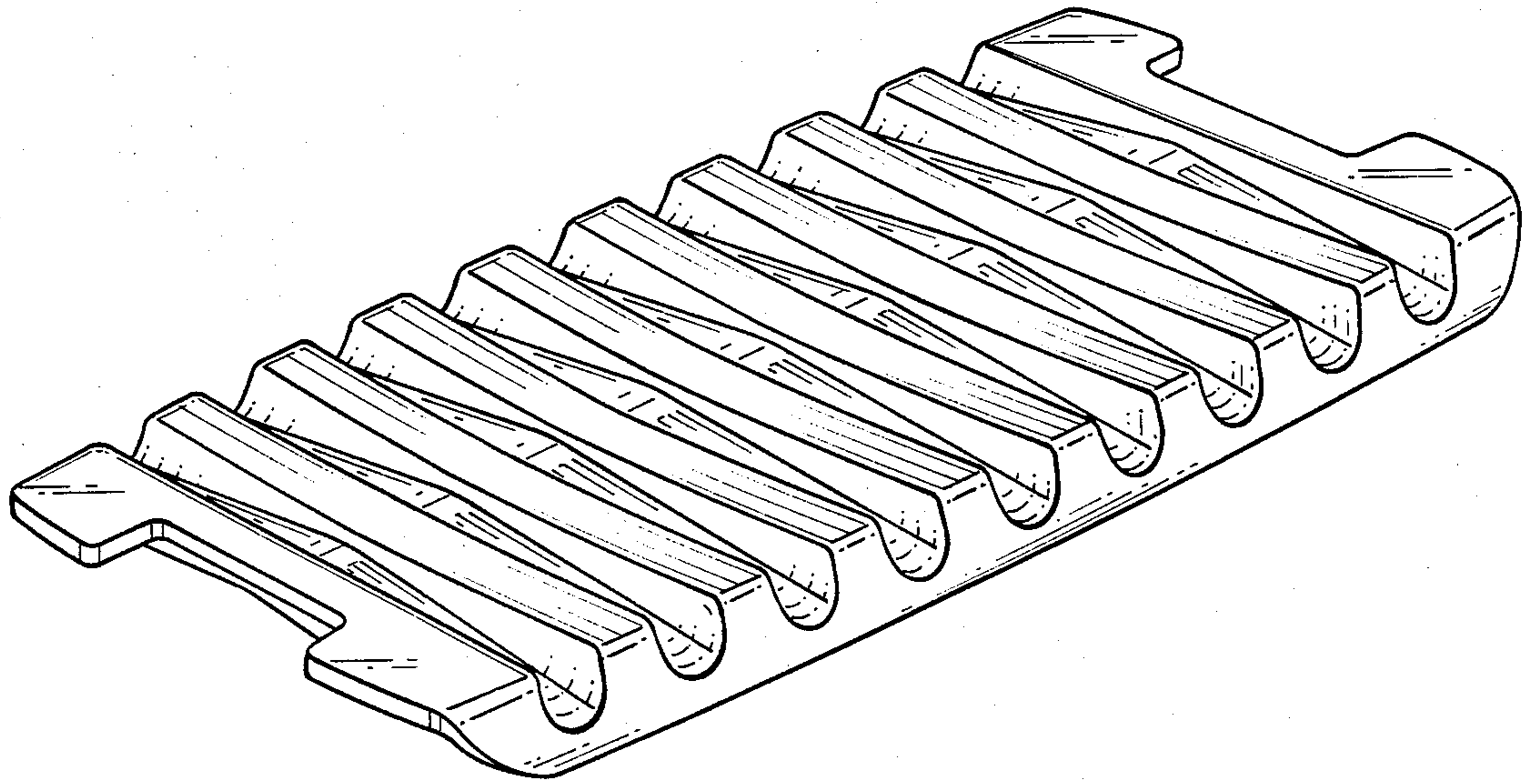


FIG. 1

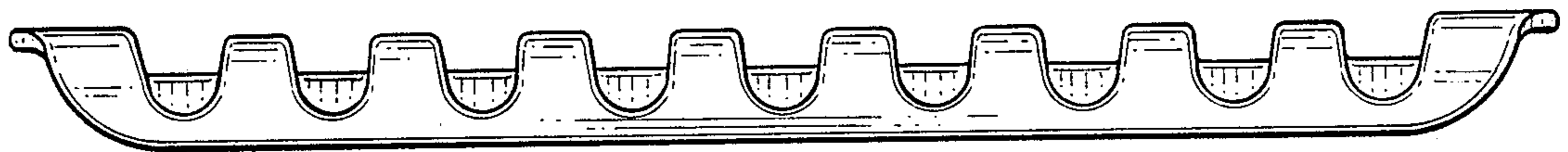


FIG. 2

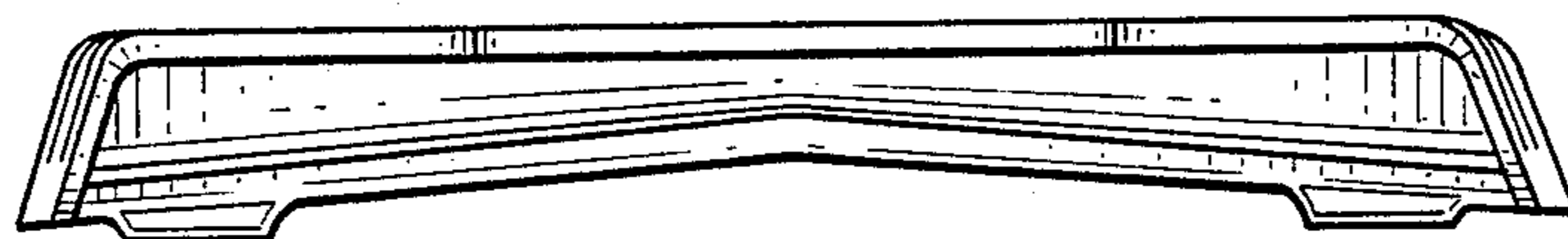


FIG. 3

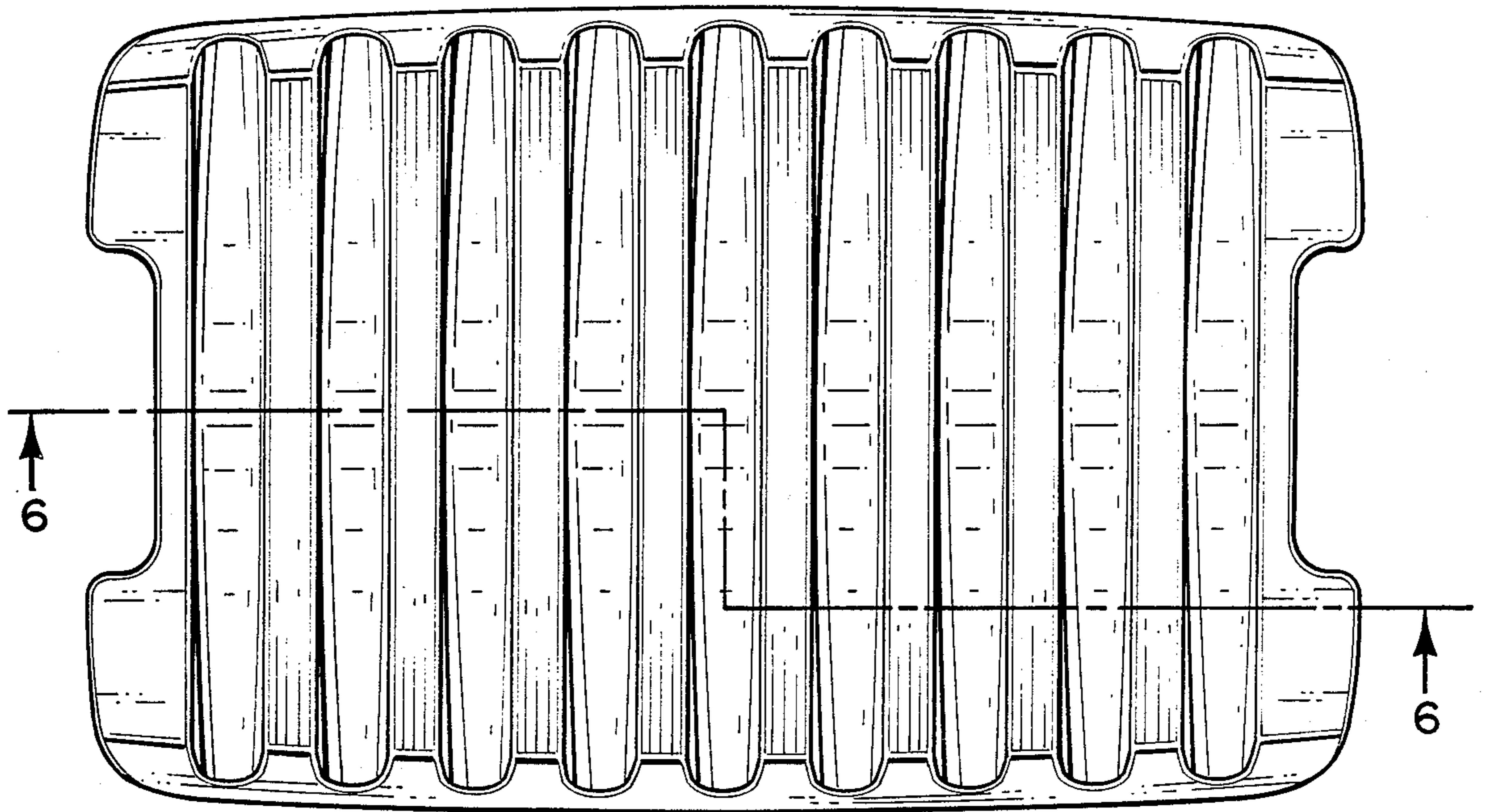


FIG. 4

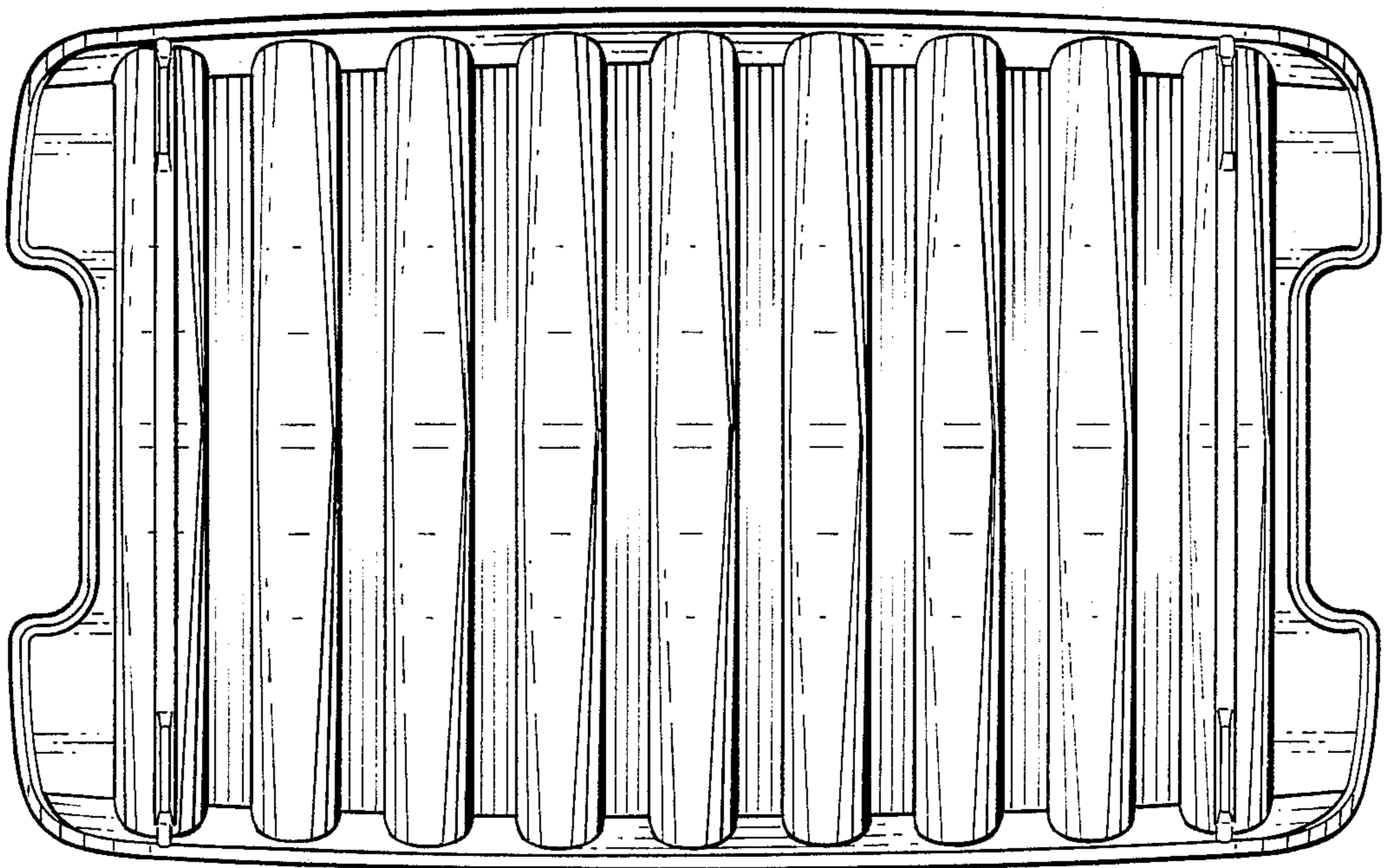


FIG. 5

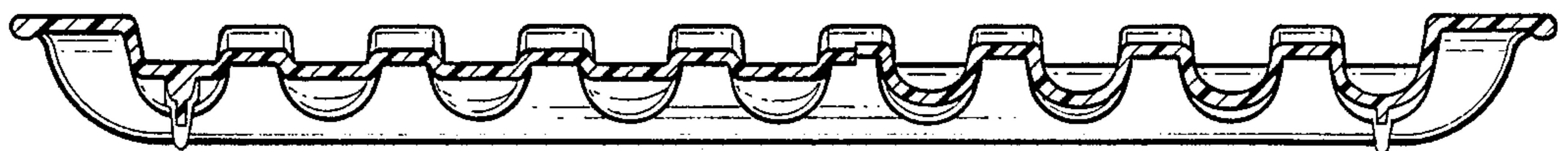


FIG. 6