

[54] GRAVE MARKER

[75] Inventor: George V. Taylor, 4158 Rainwood #3, Memphis, Tenn. 38116

[73] Assignee: George V. Taylor, Memphis, Tenn.

[**] Term: 14 Years

[21] Appl. No.: 739,891

[22] Filed: May 31, 1985

[52] U.S. Cl. D99/18

[58] Field of Search D99/17, 18, 19, 20, D99/21, 24; 40/124.5

[56] References Cited

U.S. PATENT DOCUMENTS

D. 167,215	7/1952	Lasher	D99/21
D. 190,782	6/1961	Tartaglia	D99/23
D. 1,597,573	8/1926	Blue	D99/18 X
1,860,915	5/1932	Whitman	D99/18 X

Primary Examiner—A. Hugo Word
Attorney, Agent, or Firm—Walker & McKenzie

[57] CLAIM

The ornamental design for a grave marker, as shown and described.

DESCRIPTION

FIG. 1 is a perspective view of the first embodiment of a grave marker, showing my new design.
 FIG. 2 is a top plan view thereof.
 FIG. 3 is a bottom plan view thereof.
 FIG. 4 is a right side elevational view thereof, the left side being substantially similar thereto.
 FIG. 5 is an enlarged fragmentary sectional view substantially as taken as on line V—V of FIG. 1 to more clearly bring out my new design.
 FIG. 6 is a front elevational view of a grave marker, showing a second embodiment of my new design.
 FIG. 7 is a rear elevational view thereof.
 FIG. 8 is a right side elevational view thereof.
 FIG. 9 is a left side elevational view thereof.
 FIG. 10 is a top oblique view thereof.
 FIG. 11 is an enlarged fragmentary sectional view substantially as taken as on line XI—XI of FIG. 10 to more clearly bring out my new design.

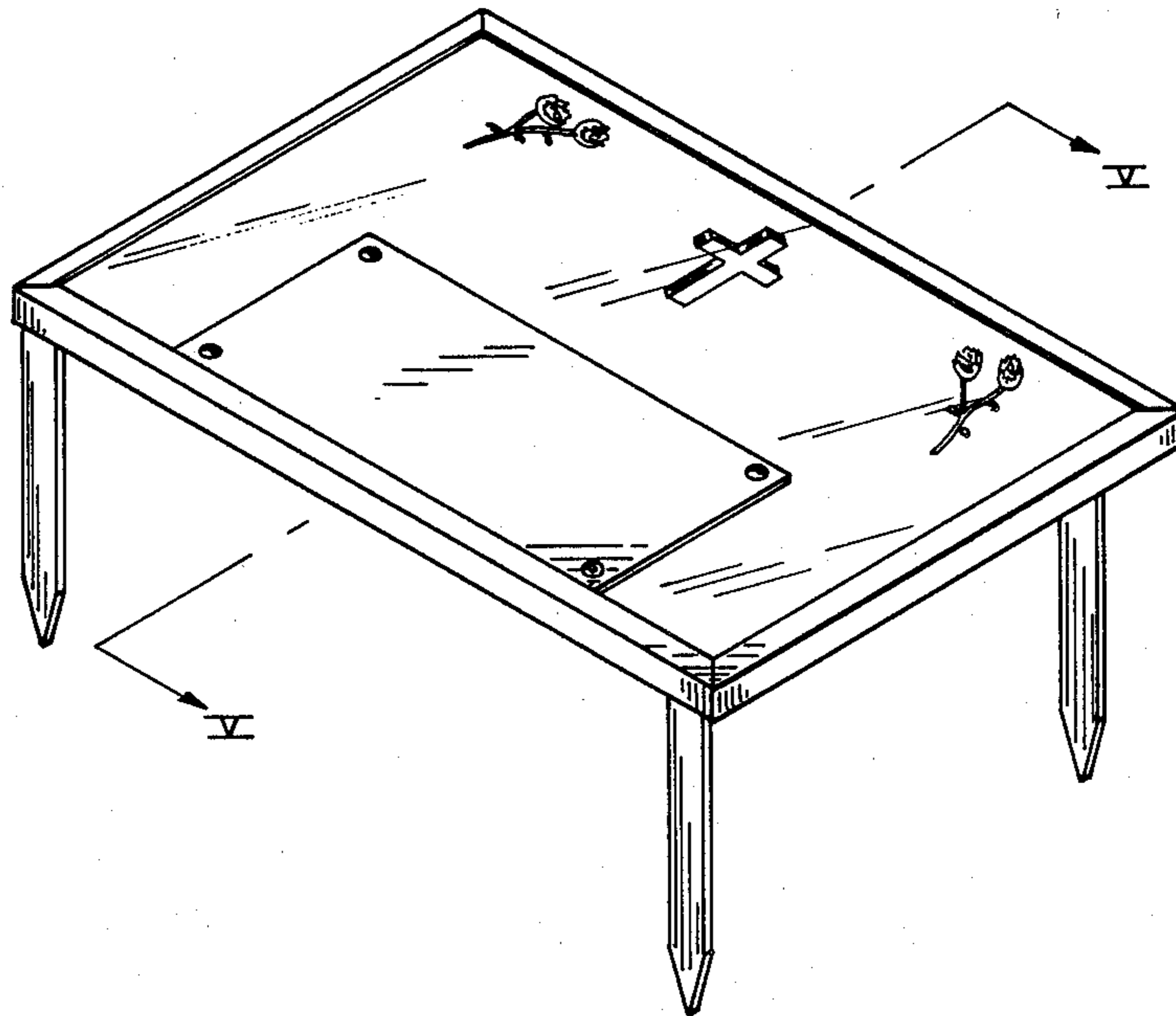


FIG. 1

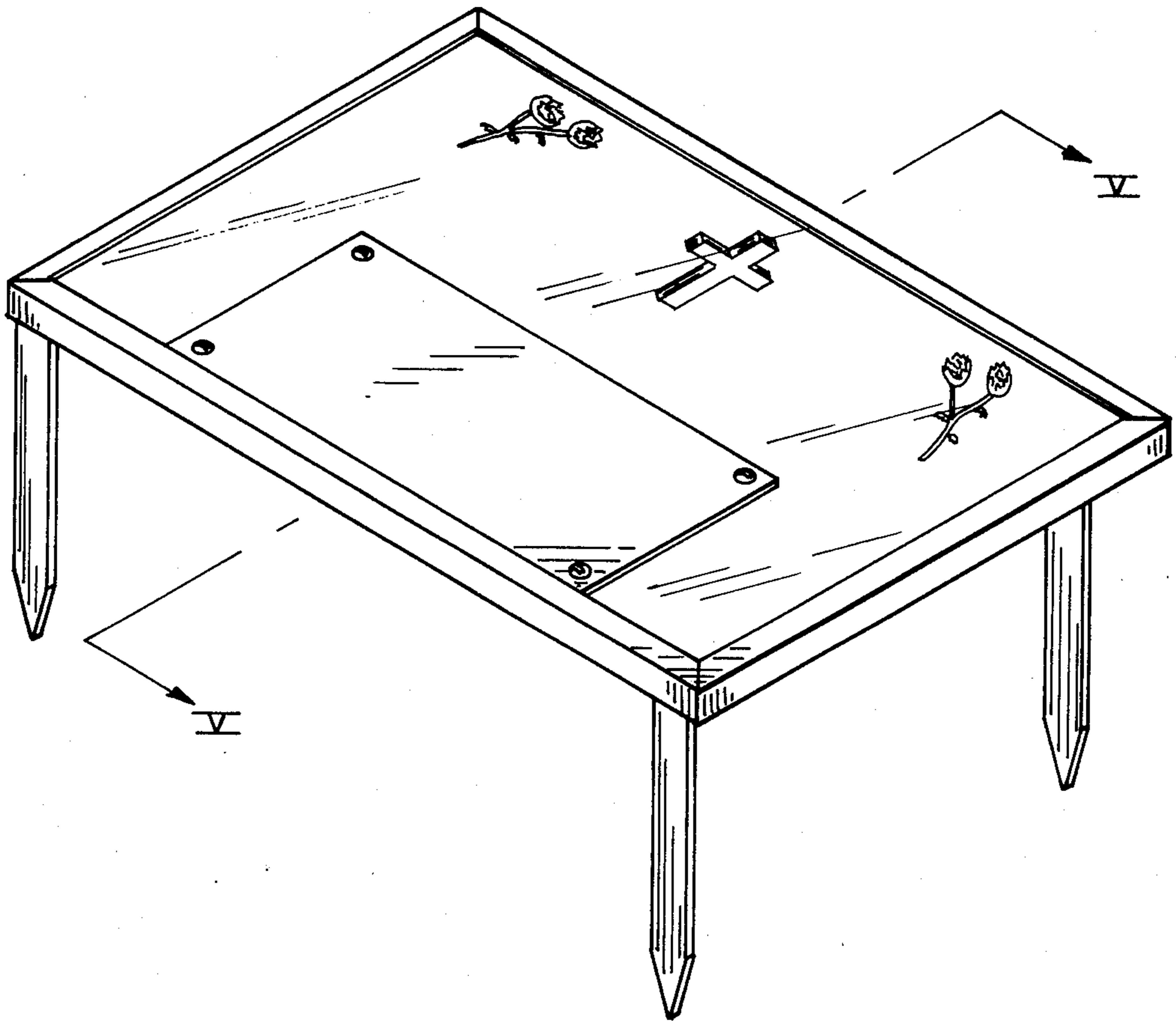


FIG. 2

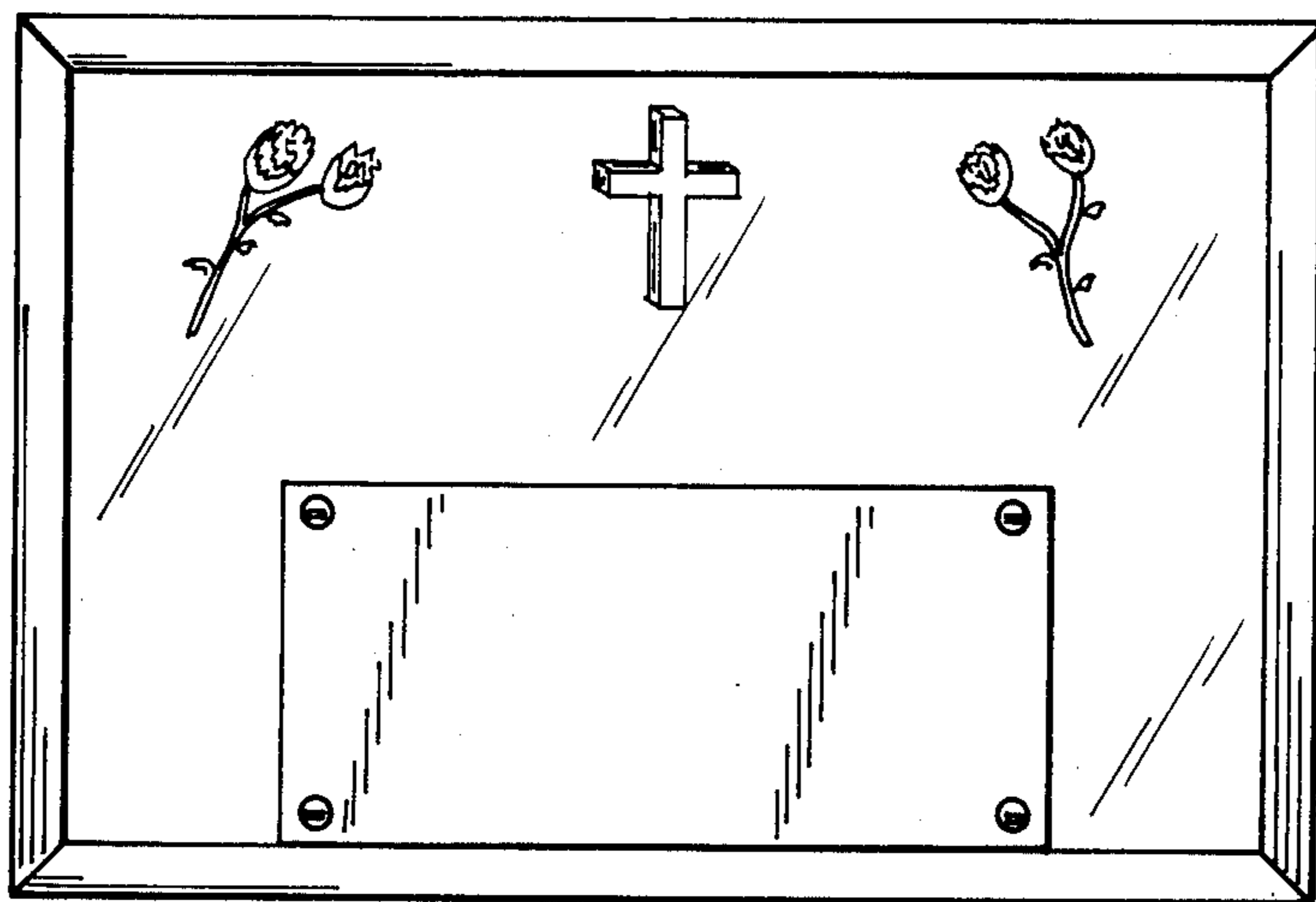


FIG. 3

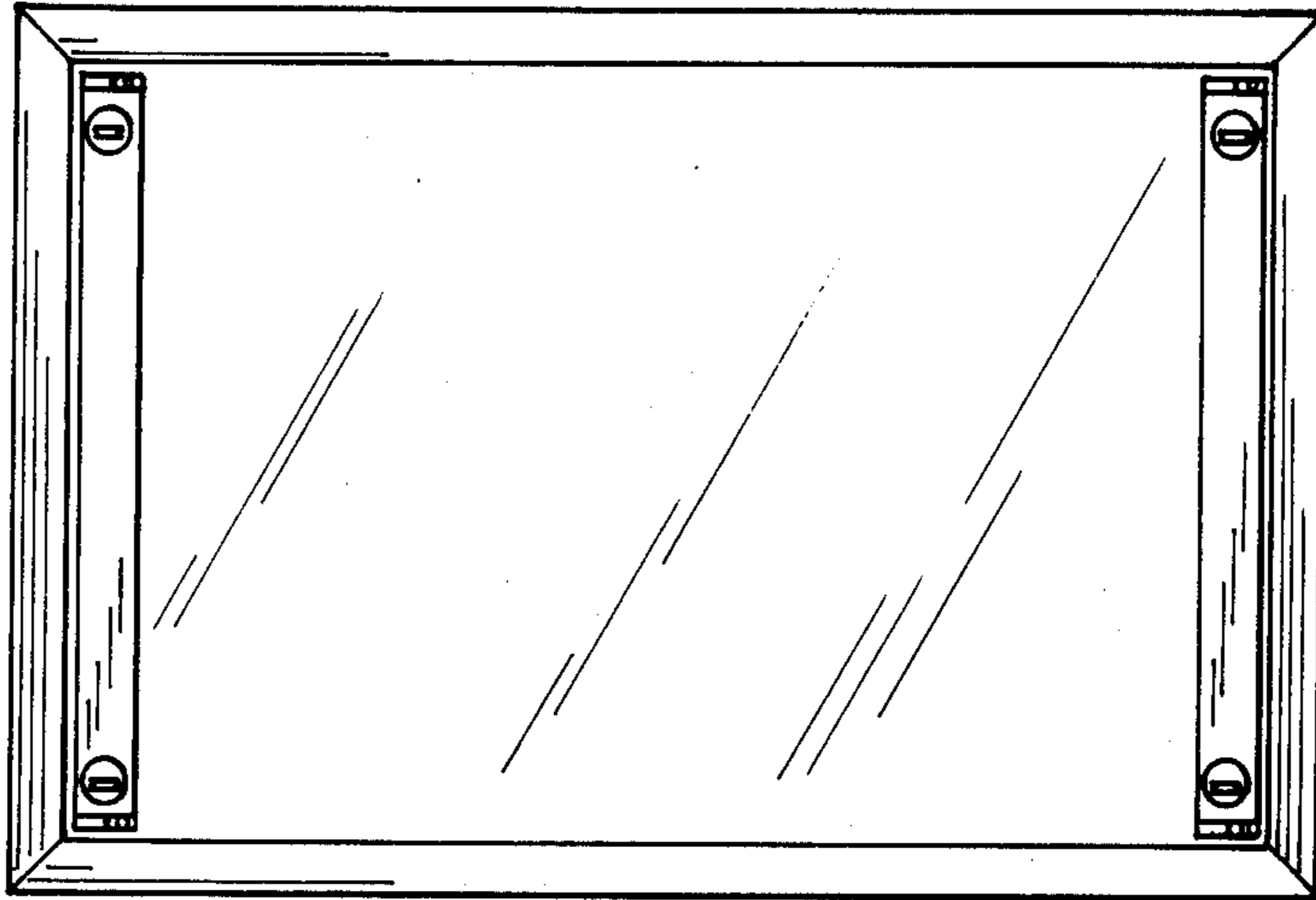


FIG. 4

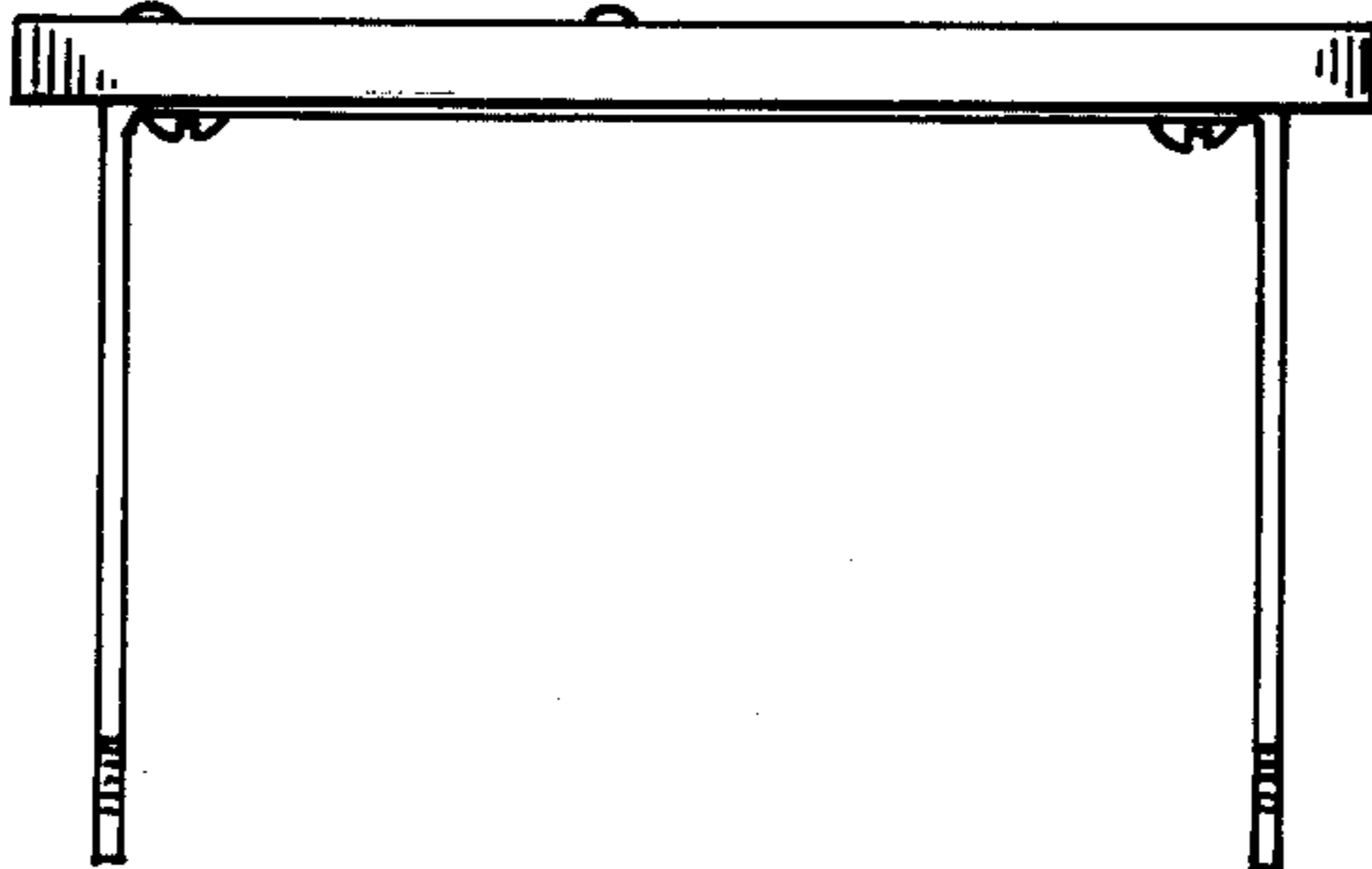


FIG. 5

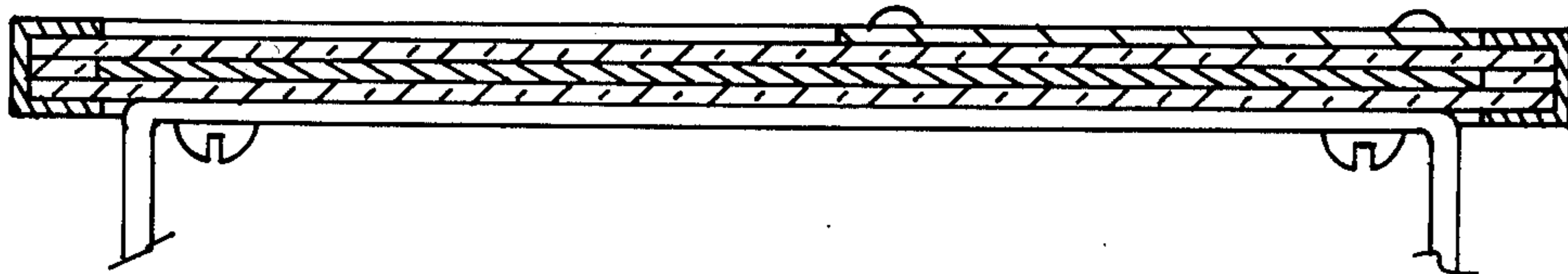


FIG. 6

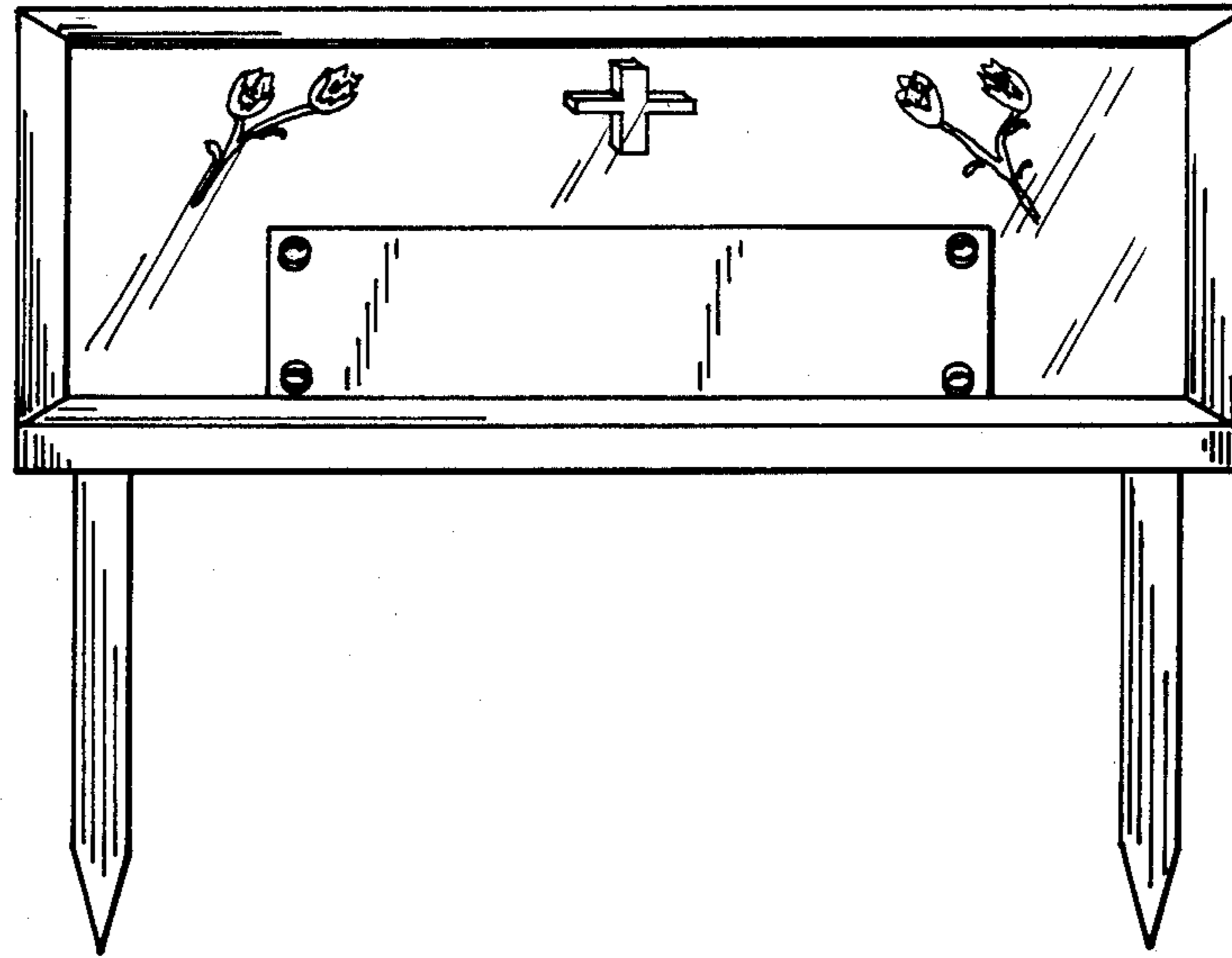


FIG. 7

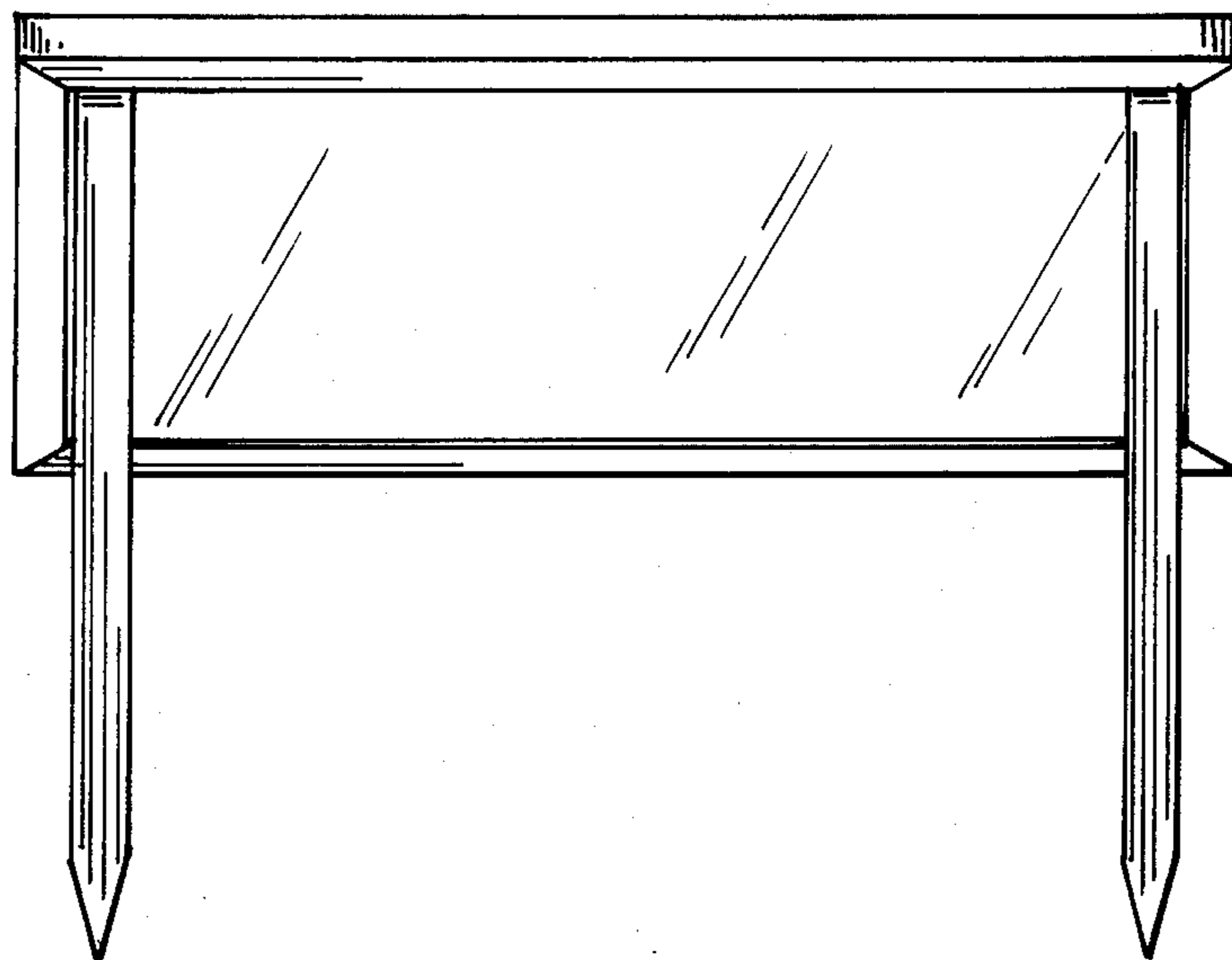


FIG. 8

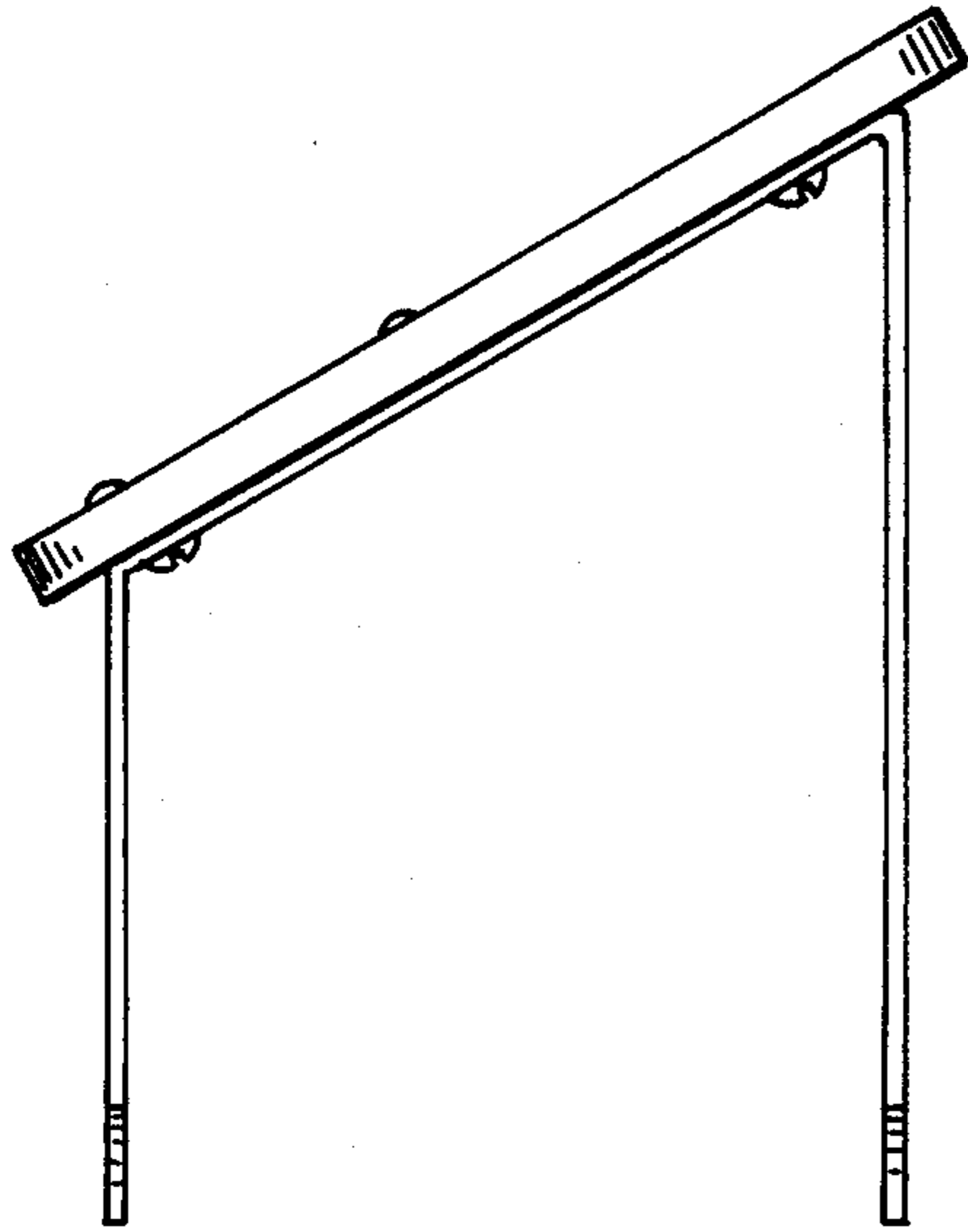


FIG. 9

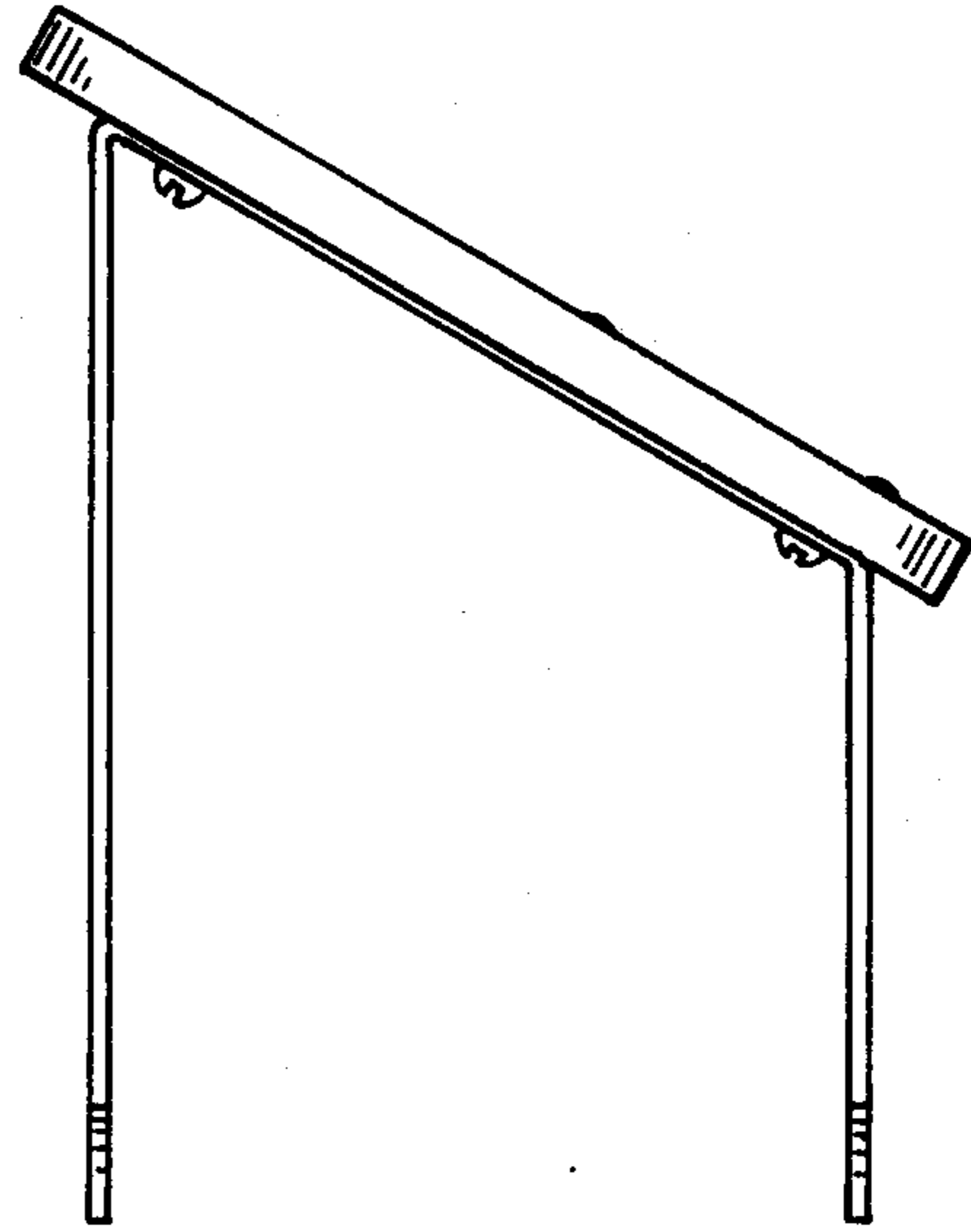


FIG. 10

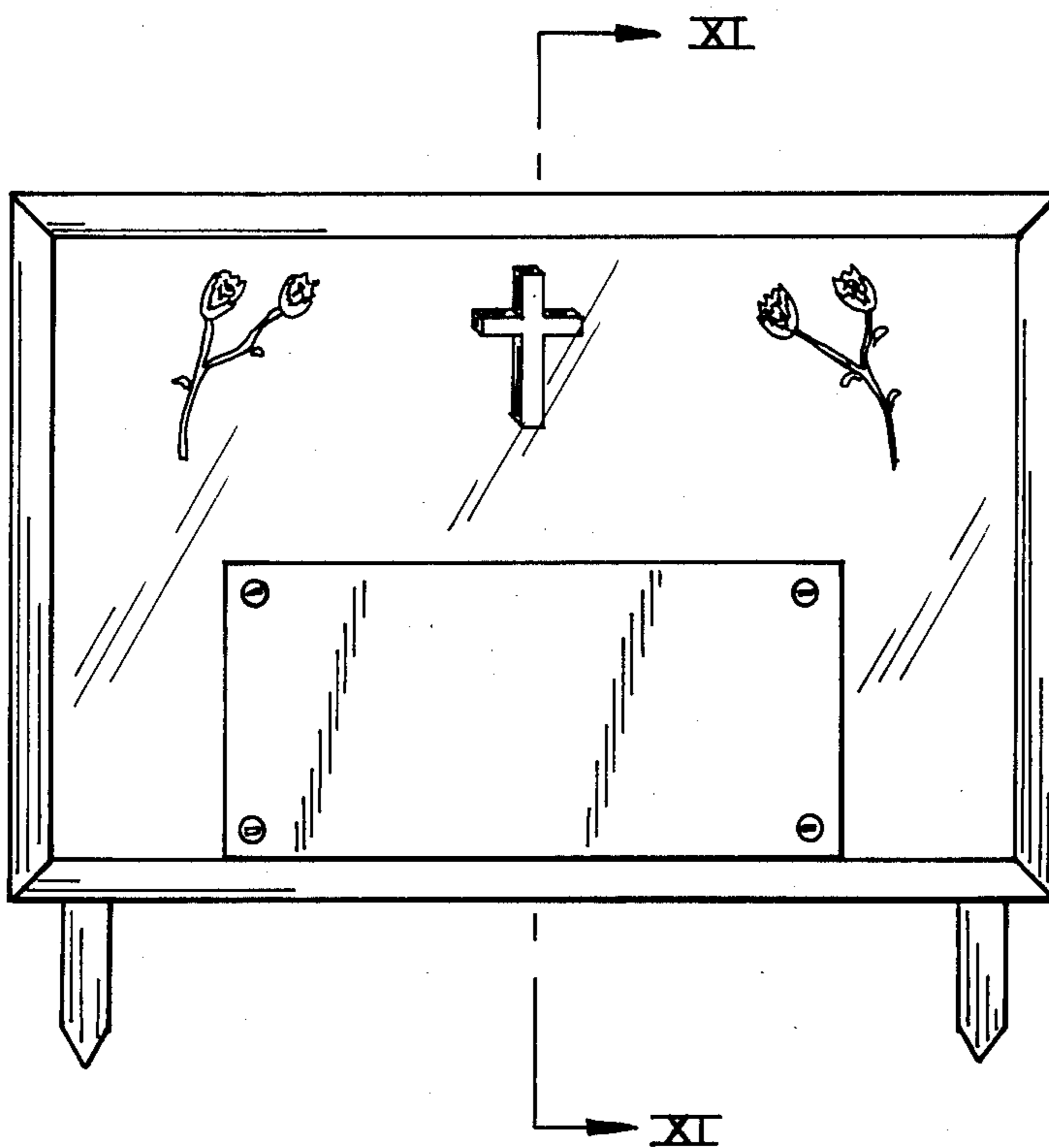


FIG. 11

