

[54] STALL PARTITION FOR STALL BARN

[76] Inventor: Kjell Johansson, Ökne Gård 1011, S-660 30 Värmlands Nysäter, Sweden

[**] Term: 14 Years

[21] Appl. No.: 881,935

[22] Filed: Jul. 3, 1986

[52] U.S. Cl. D30/114

[58] Field of Search D30/1, 2, 41, 42, 99, D30/108, 114, 118, 119, 120; 119/14.03, 16, 27

[56] References Cited

U.S. PATENT DOCUMENTS

D. 178,270	7/1956	Babson	D30/2
D. 273,903	5/1984	Wileenski et al.	D30/2
1,580,328	4/1926	Rasmussen	119/27
1,996,196	4/1935	Ferris	119/27
2,642,037	6/1953	Merrill	119/27
3,392,709	7/1968	Janson et al.	119/27
3,421,478	1/1969	Warmerdarn	119/27
3,726,257	4/1973	Andersen	119/27
3,986,481	10/1976	Gloggler et al.	119/27

4,217,860	8/1980	Gloggler	119/27
4,343,263	8/1982	Gloggler	119/27

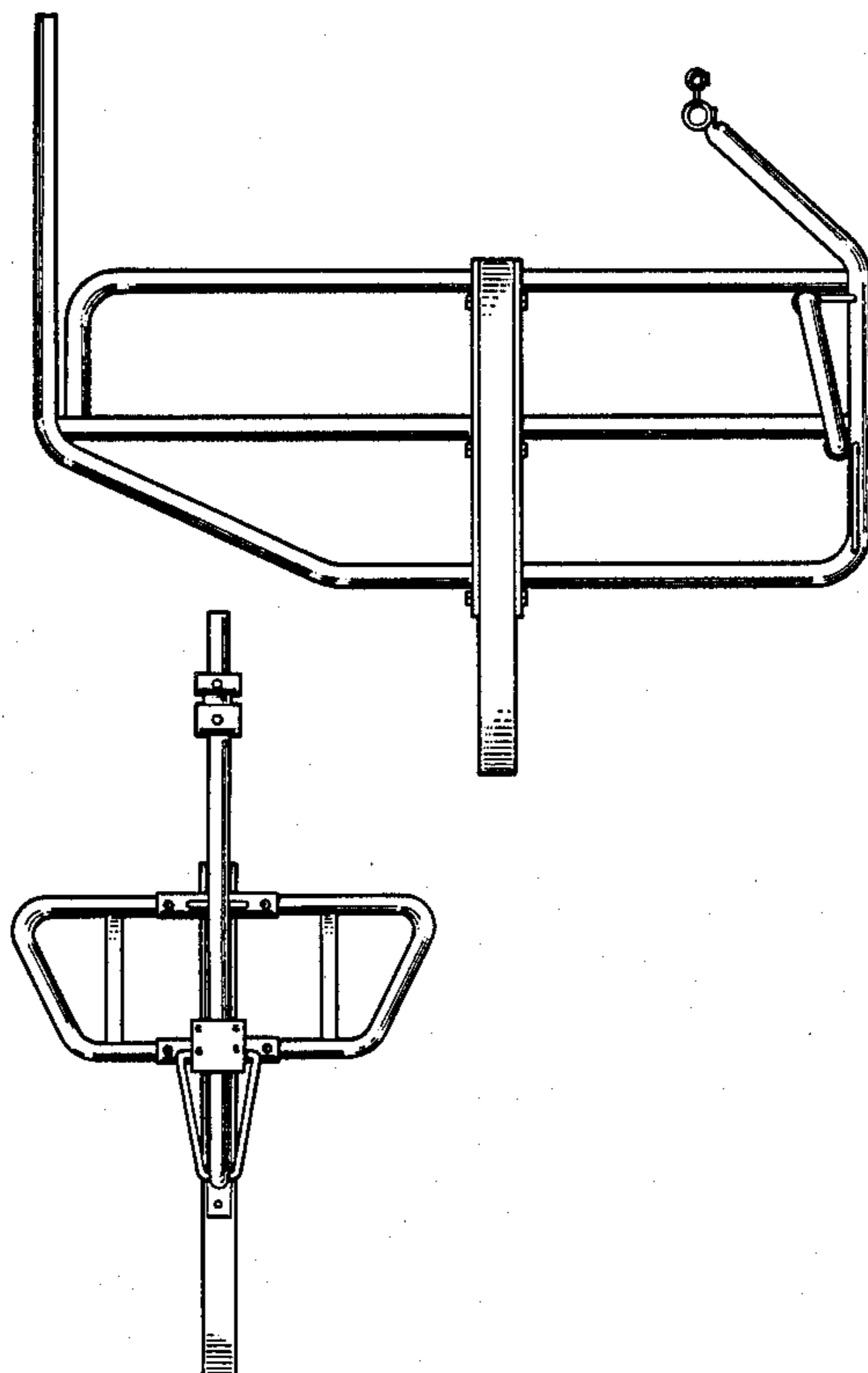
Primary Examiner—James R. Largen
Attorney, Agent, or Firm—Helfgott & Karas

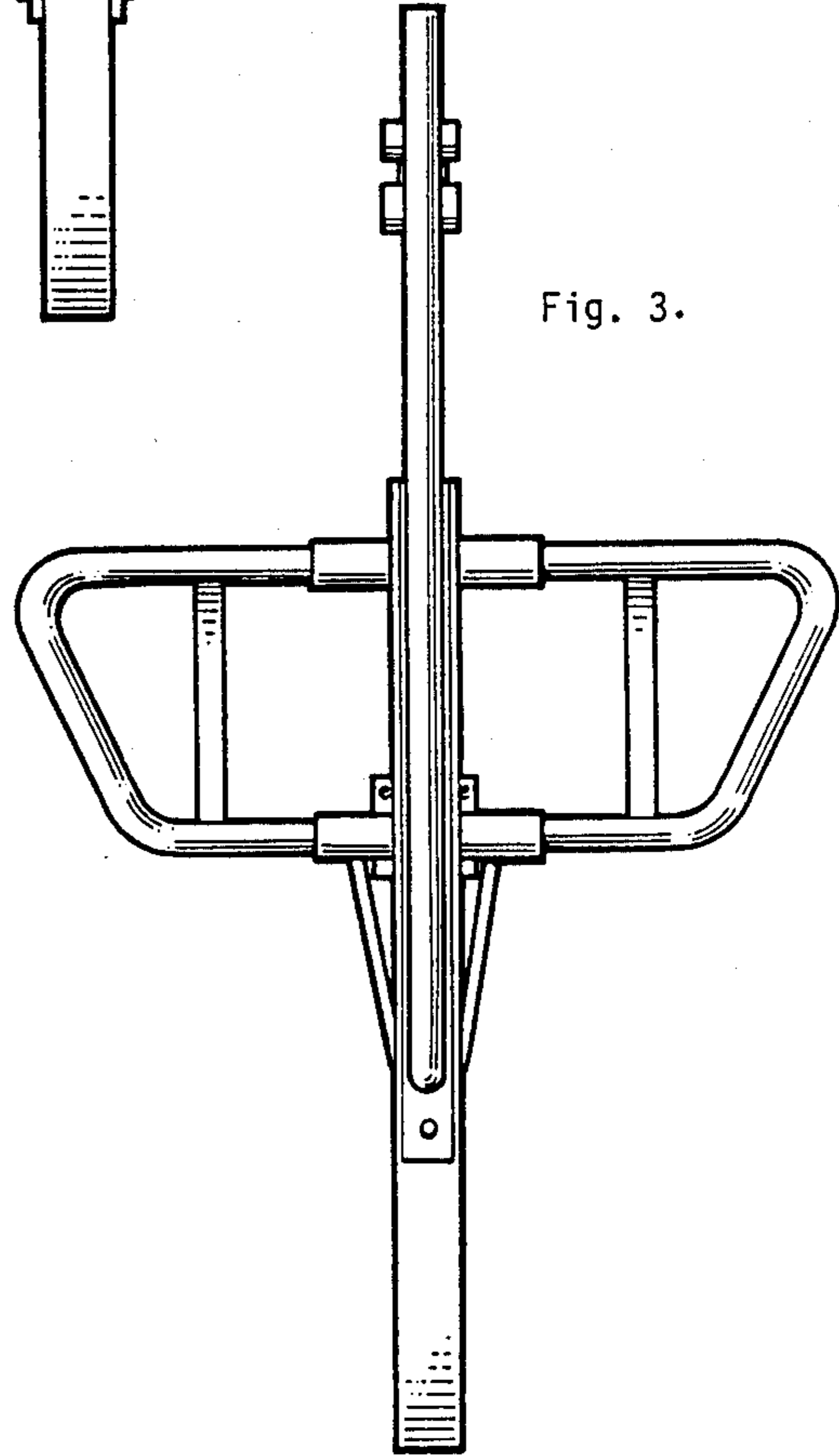
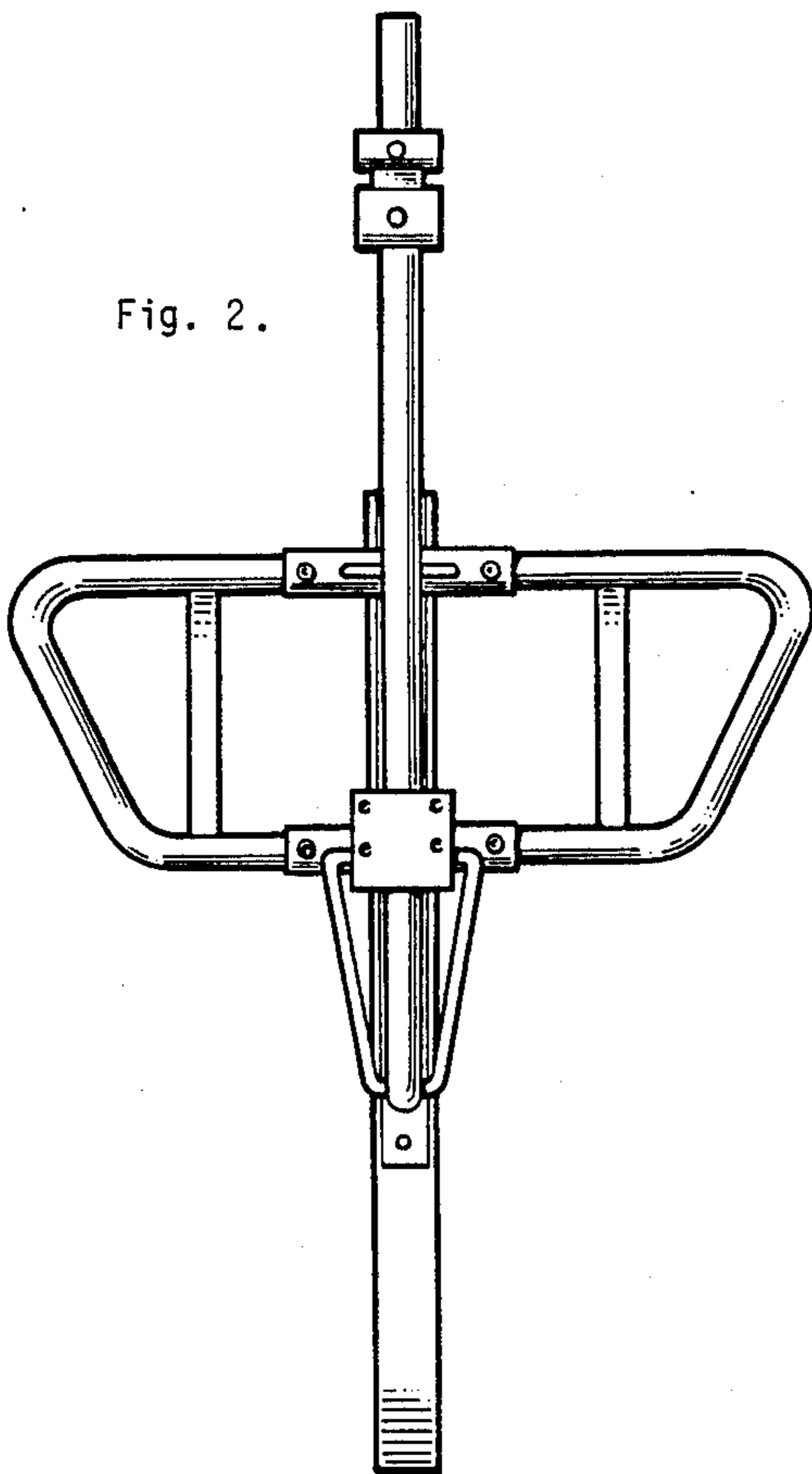
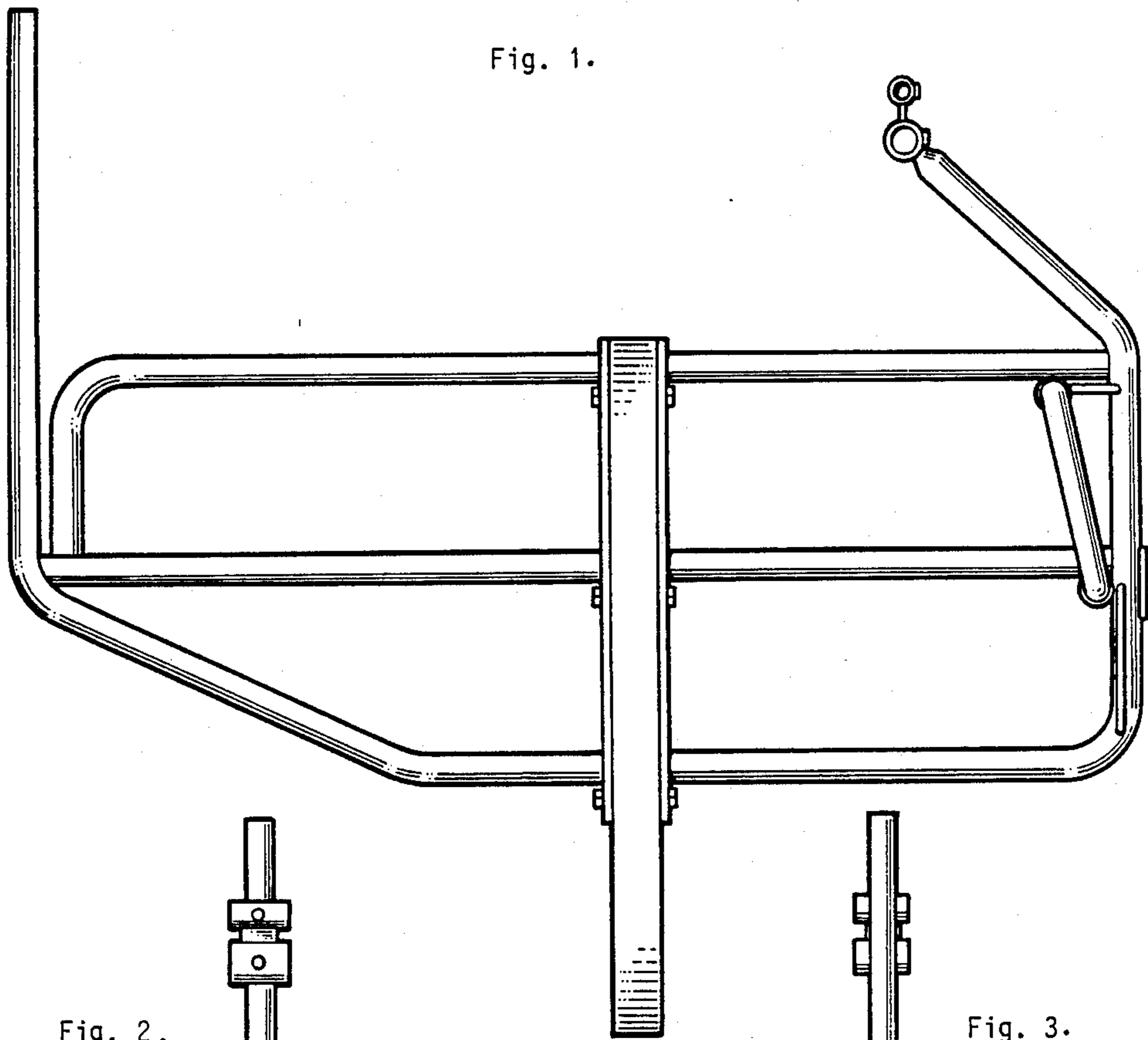
[57] CLAIM

The ornamental design for a stall partition for stall barns, as shown and described.

DESCRIPTION

FIG. 1 is a left side elevational view of a stall partition for stall barns showing my new design, the right side being a mirror image of the left side shown;
 FIG. 2 is a front elevational view thereof;
 FIG. 3 is a rear elevational view thereof;
 FIG. 4 is a left side elevational view of the front portion thereof, the right side being a mirror image of the left side shown;
 FIG. 5 is a front elevational view of FIG. 4;
 FIG. 6 is a rear elevational view of FIG. 4;
 FIG. 7 is a left side elevational view of the rear portion thereof, the right side being a mirror image of the left side shown;
 FIG. 8 is a front elevational view of FIG. 7; and
 FIG. 9 is a rear elevational view of FIG. 7.





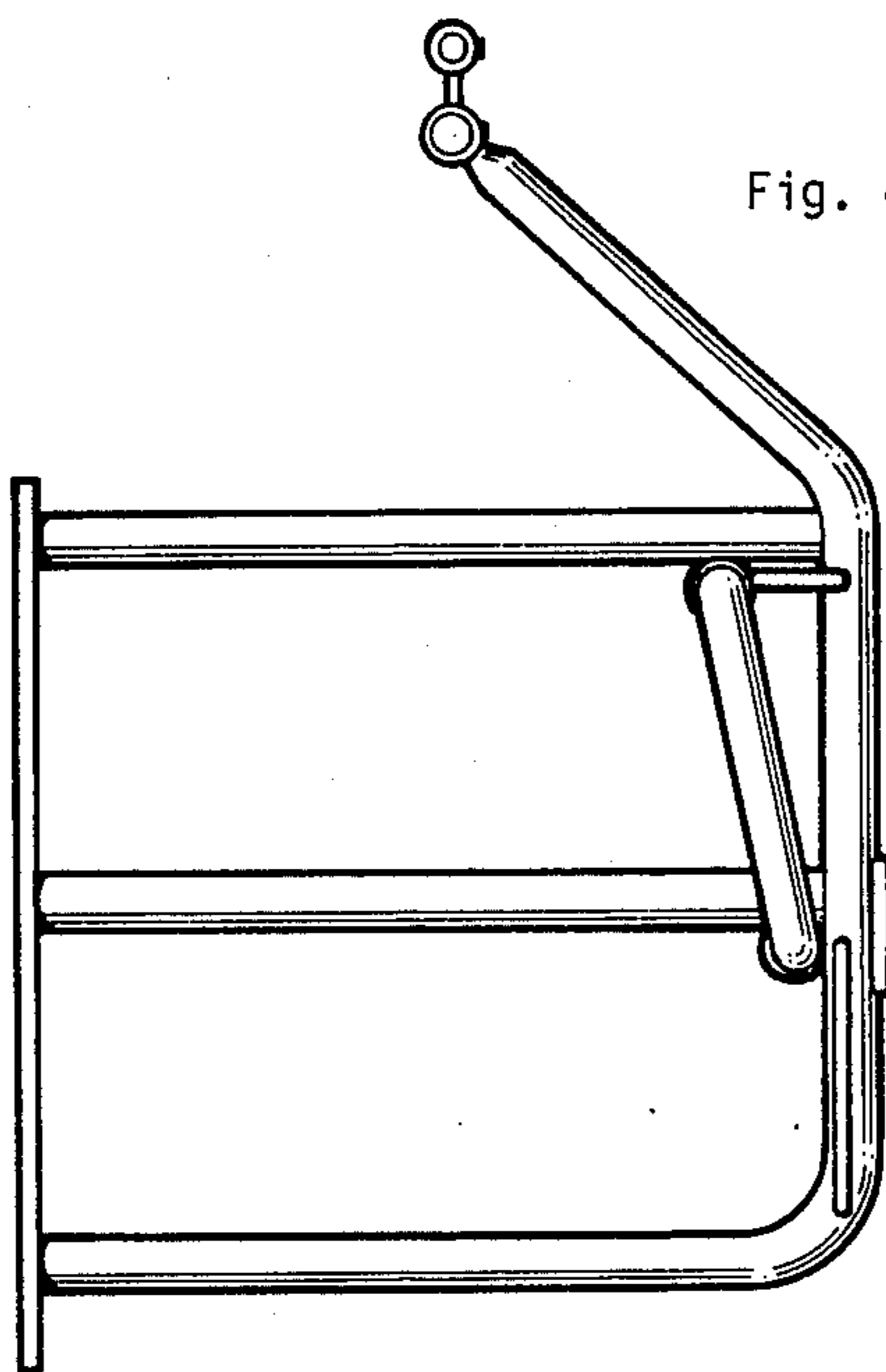


Fig. 4.

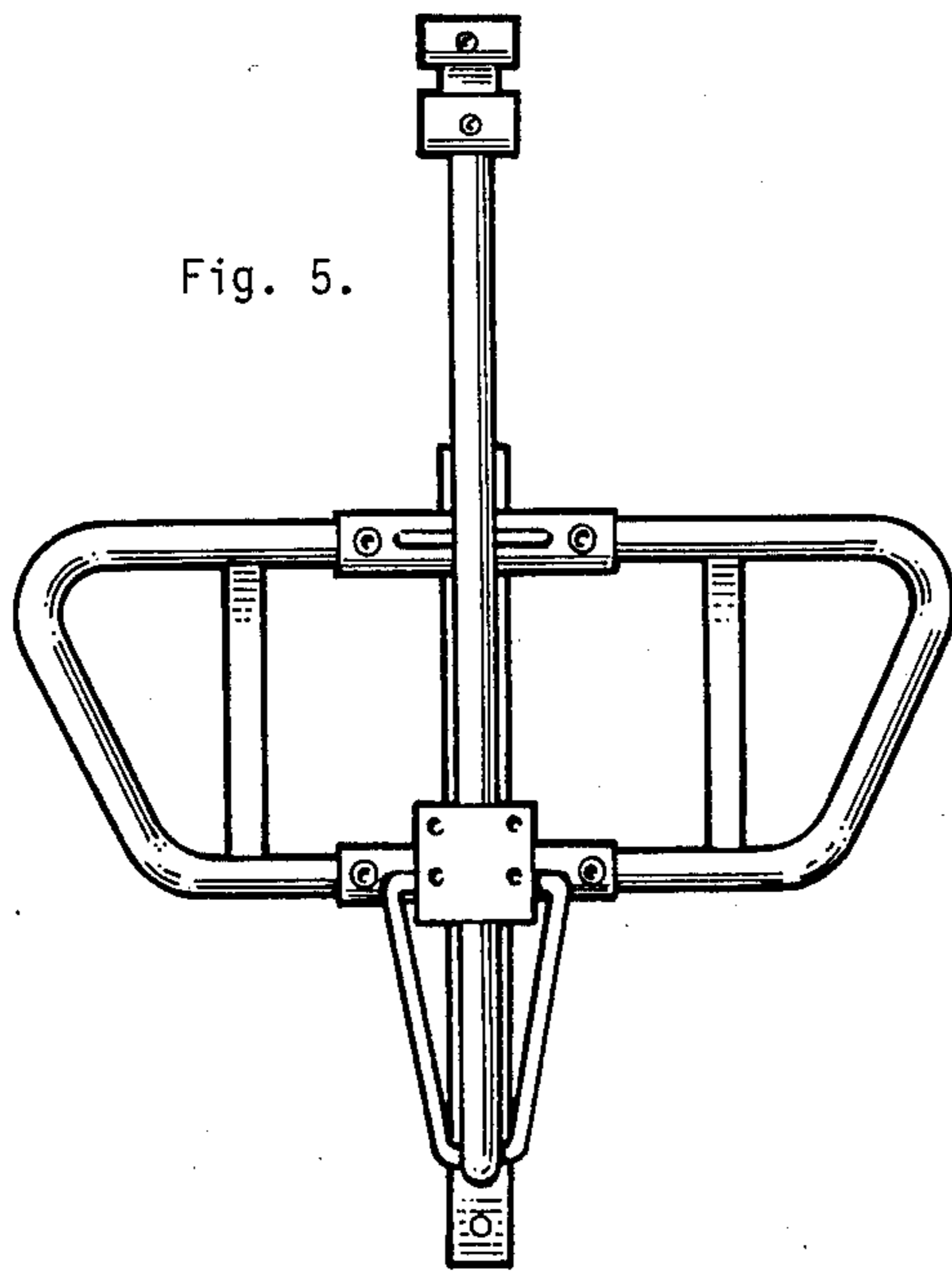


Fig. 5.

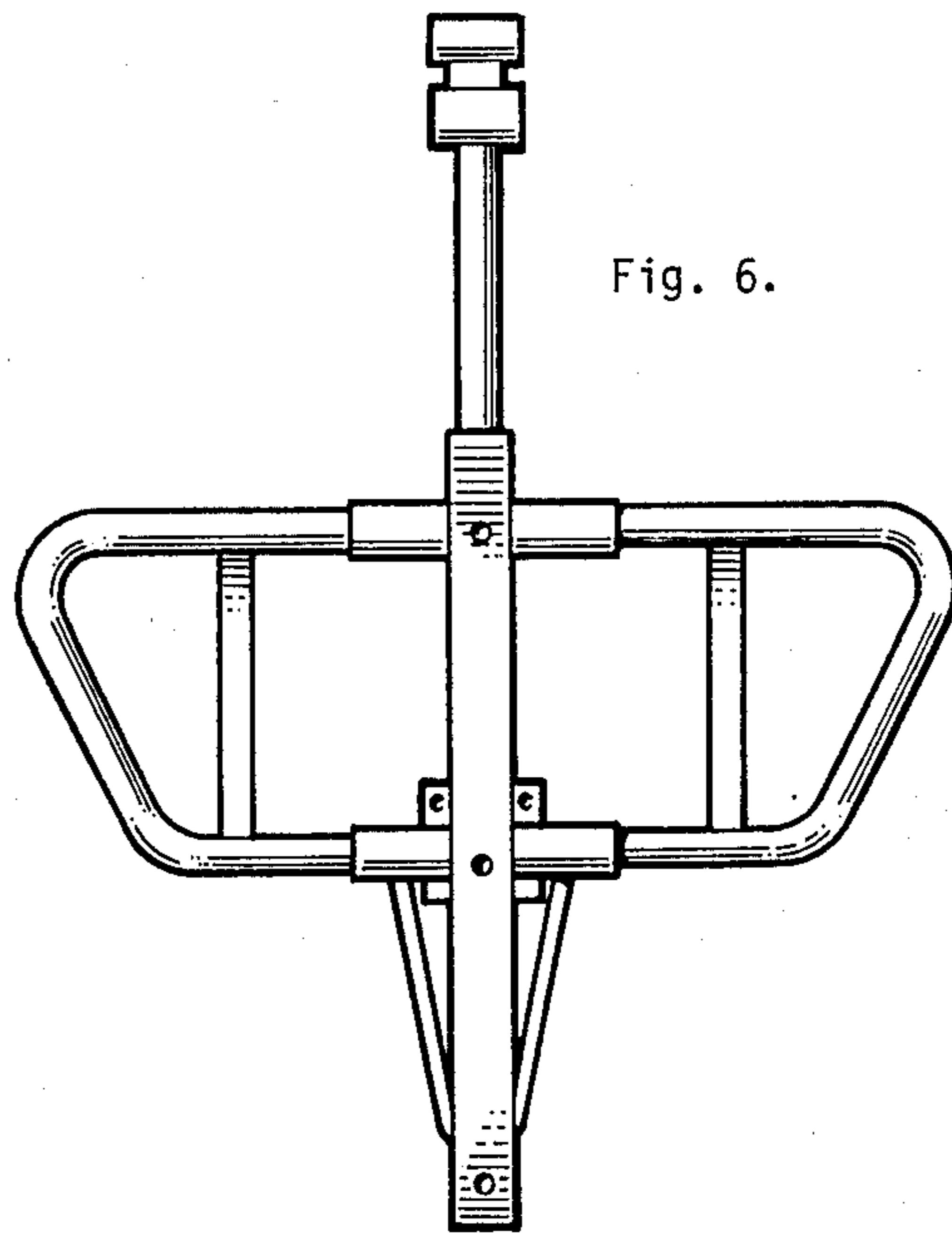


Fig. 6.

Fig. 7.

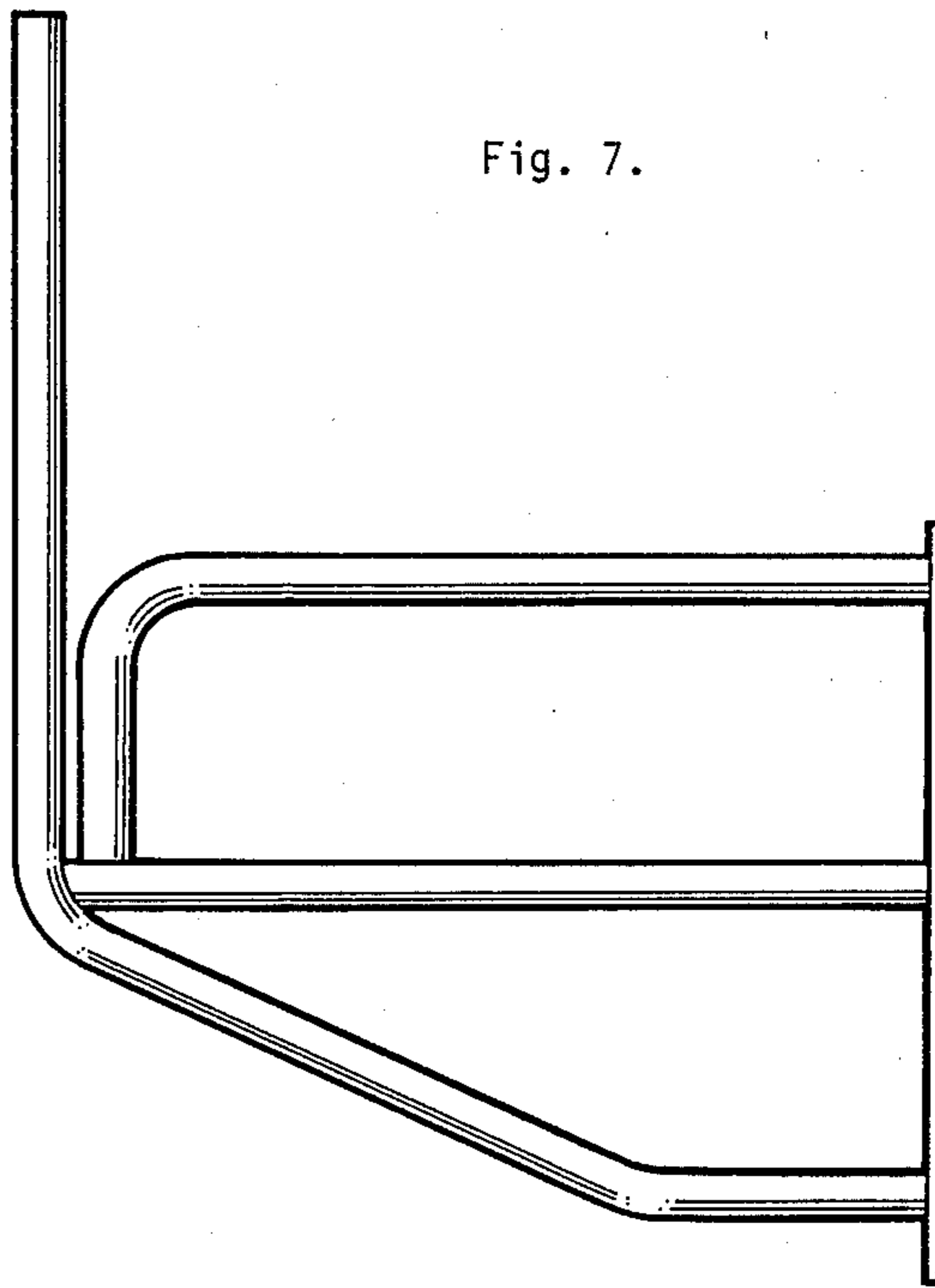


Fig. 8.



Fig. 9.



UNITED STATES PATENT AND TRADEMARK OFFICE
CERTIFICATE OF CORRECTION

PATENT NO. : Des. 297,470

DATED : August 30, 1988

INVENTOR(S) : Kjell Johansson

It is certified that error appears in the above-identified patent and that said Letters Patent is hereby corrected as shown below:

On the title page Insert

--[30] Foreign Application Priority Data
Feb. 7, 1986 [SW] Sweden86-0318--

**Signed and Sealed this
Twentieth Day of December, 1988**

Attest:

DONALD J. QUIGG

Attesting Officer

Commissioner of Patents and Trademarks